



US00D539918S

(12) **United States Design Patent**
Denmon

(10) **Patent No.:** **US D539,918 S**

(45) **Date of Patent:** **** Apr. 3, 2007**

(54) **MANHOLE GUARD**

(76) **Inventor:** **Richard F. Denmon**, 3409 Industrial
27th St., Fort Pierce, FL (US) 34946

(**) **Term:** **14 Years**

(21) **Appl. No.:** **29/234,385**

(22) **Filed:** **Jul. 19, 2005**

(51) **LOC (8) Cl.** **25-02**

(52) **U.S. Cl.** **D25/36**

(58) **Field of Classification Search** D25/36;
52/19, 20, 21; 405/133; 404/25
See application file for complete search history.

4,048,766 A	9/1977	Dantzer et al.	
4,121,390 A	* 10/1978	Hall et al.	52/20
4,973,191 A	11/1990	Dannhauser	
5,295,557 A	3/1994	Taylor	
5,843,306 A	12/1998	Singleton	
6,004,457 A	12/1999	Singleton	
D453,225 S	* 1/2002	Andexler	D25/36

* cited by examiner

Primary Examiner—Doris Clark

(74) *Attorney, Agent, or Firm*—William M. Hobby, III

(57) **CLAIM**

The ornamental design for a manhole guard, as shown and described.

DESCRIPTION

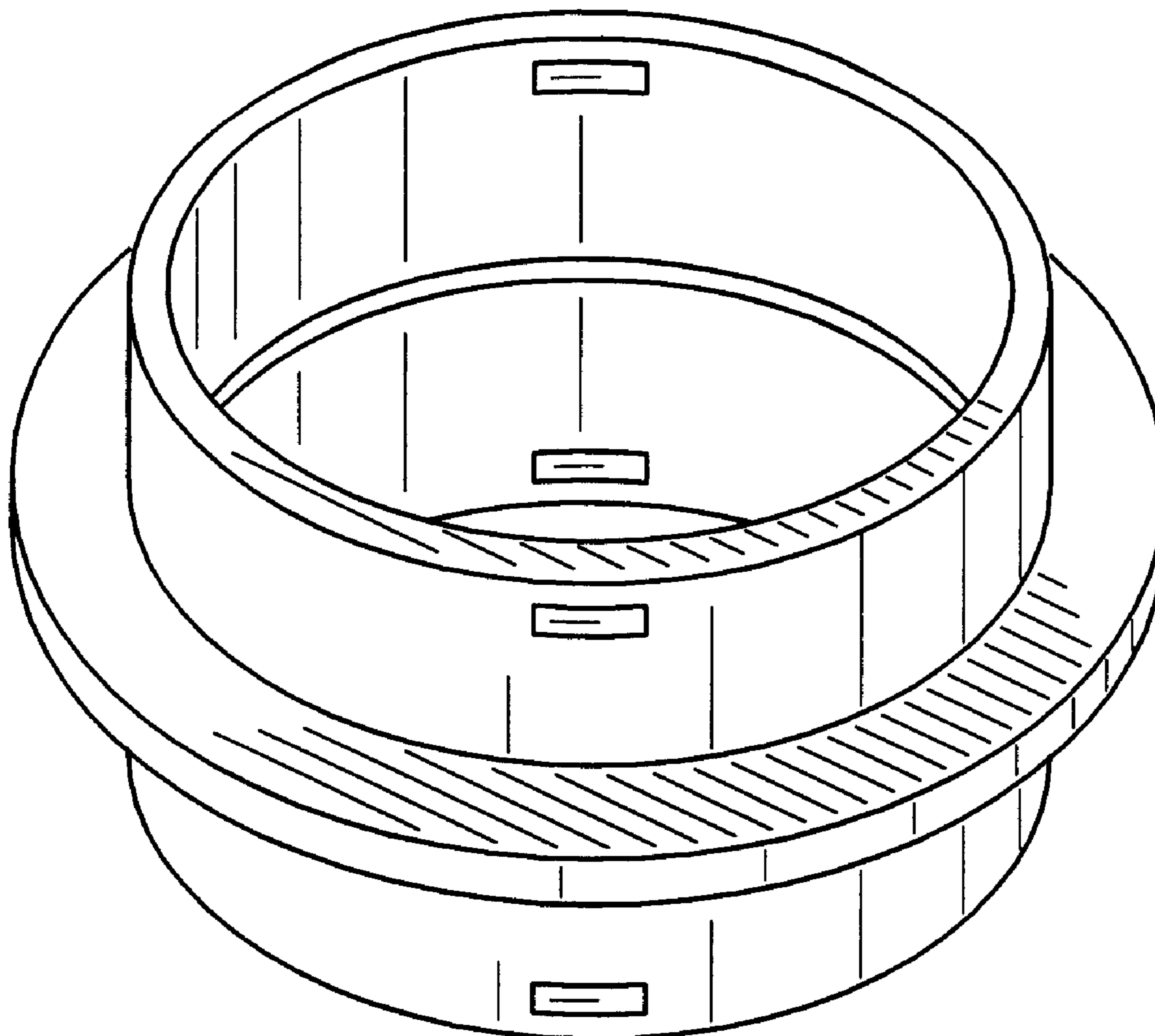
FIG. 1 is a top and side perspective of my new manhole guard;
FIG. 2 is a side elevation; and,
FIG. 3 is a bottom plan view.

(56) **References Cited**

U.S. PATENT DOCUMENTS

1,370,166 A	3/1921	Thiel	
2,393,126 A	1/1946	Stevenson	
3,426,659 A	2/1969	Clarke et al.	
3,722,730 A	3/1973	Joos	
D245,104 S	* 7/1977	Gross	D25/36

1 Claim, 1 Drawing Sheet



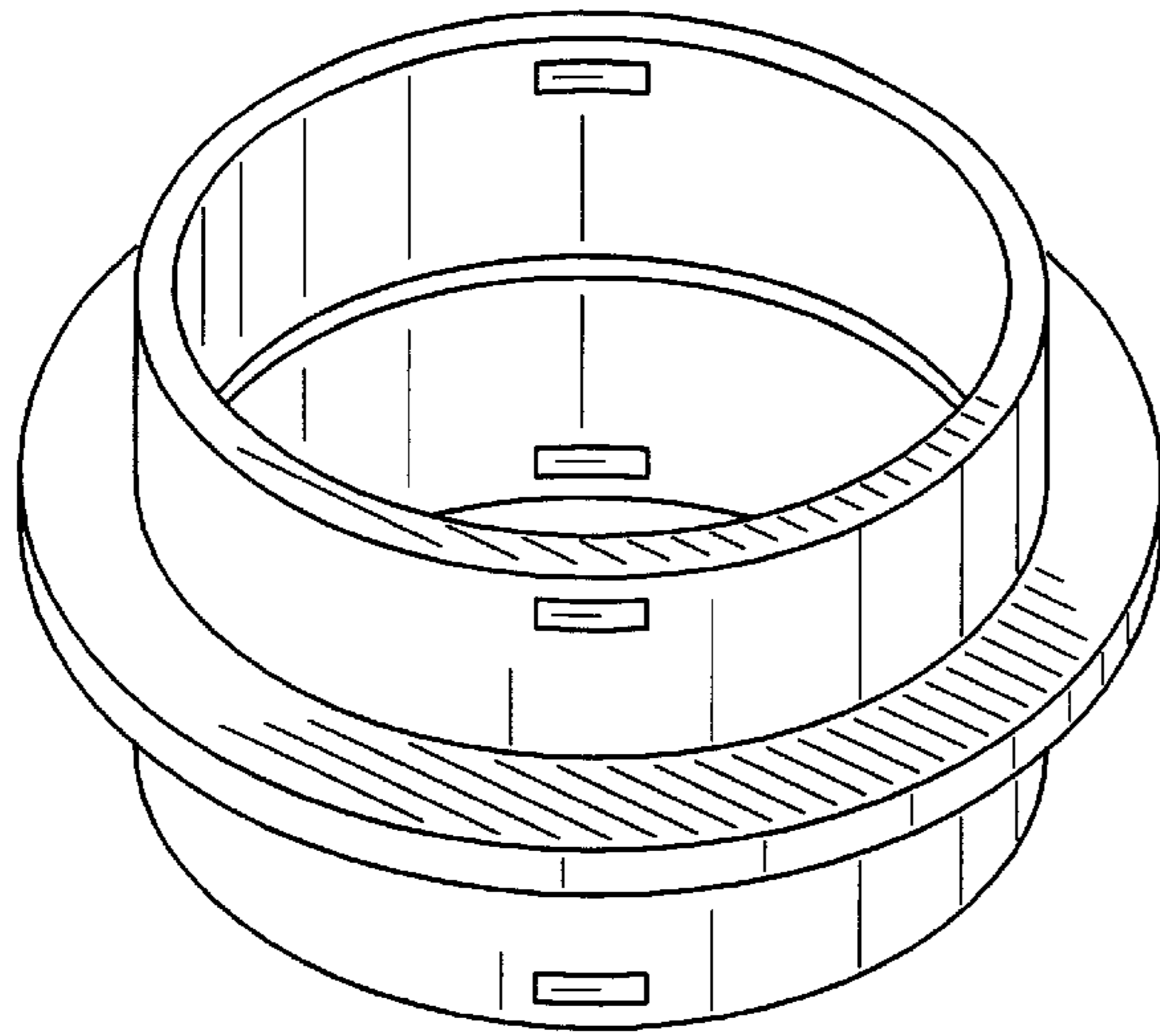


FIG. 1

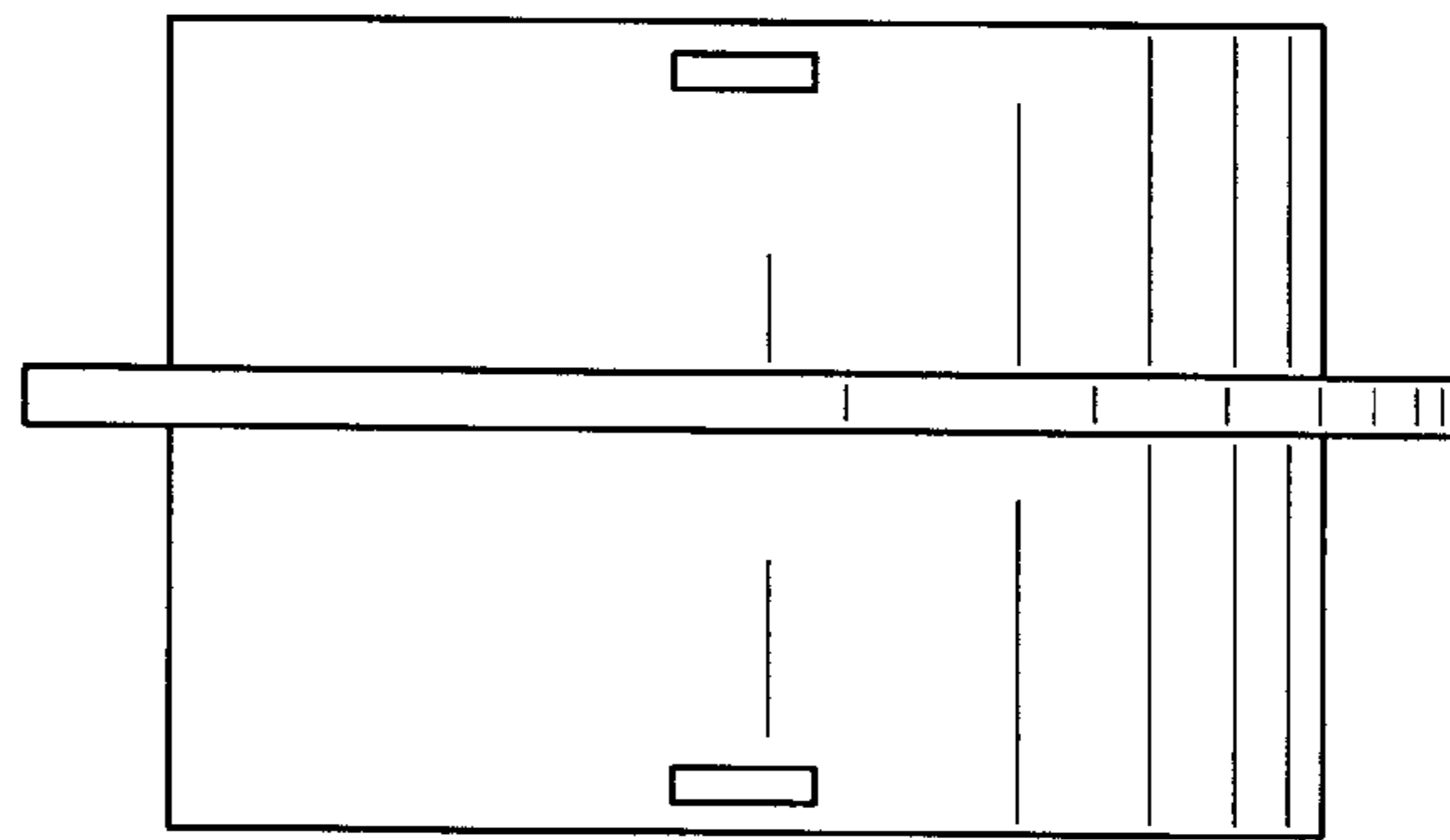


FIG. 2

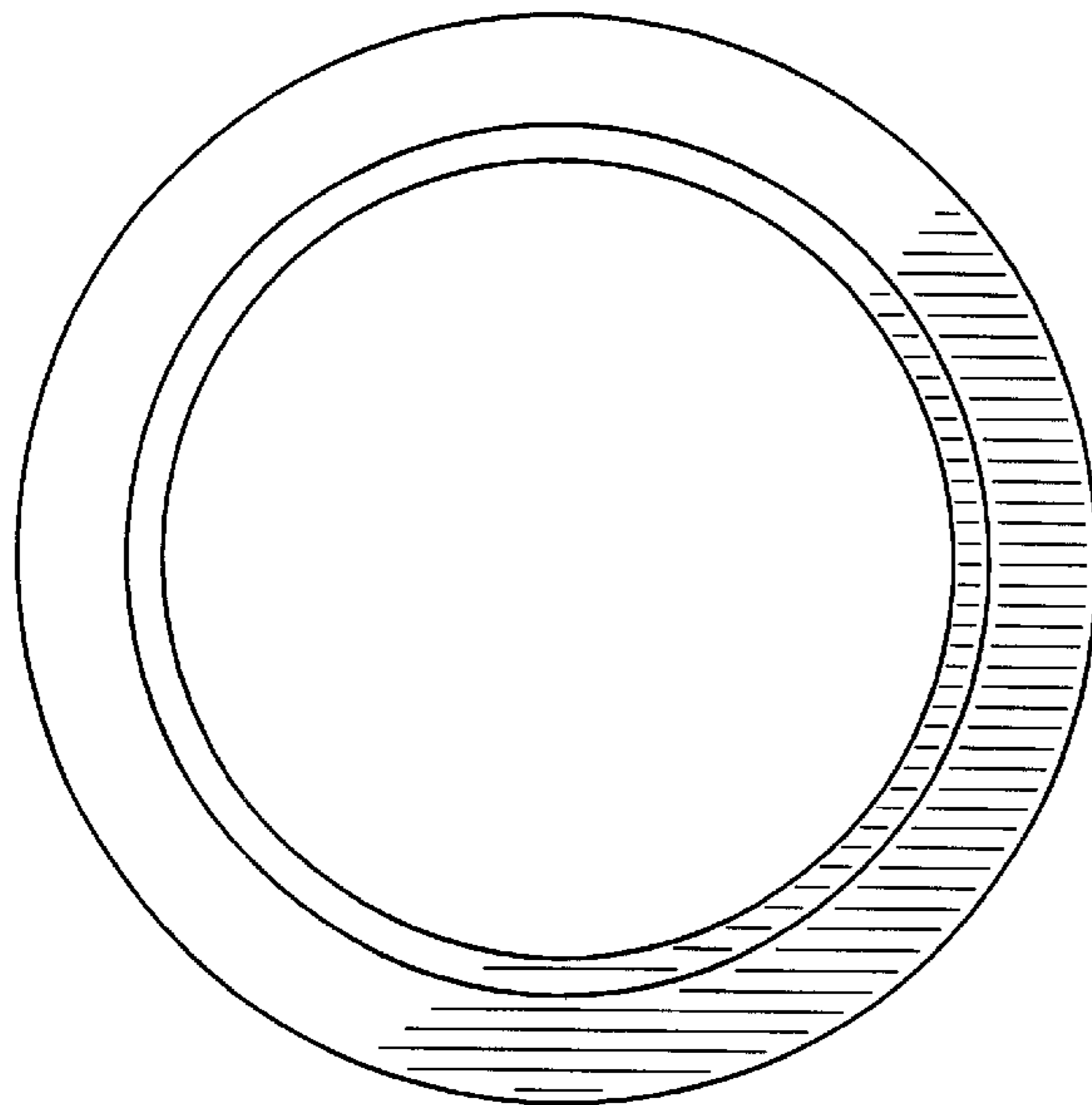


FIG. 3