



US00D539916S

(12) **United States Design Patent**
Baldachini

(10) **Patent No.:** **US D539,916 S**

(45) **Date of Patent:** **** Apr. 3, 2007**

(54) **SKIN TREATMENT APPARATUS**

(76) **Inventor:** **Marcello Rinaldo Baldachini**, 27, Via
Guerini, I-25135 S. Eufemia (Brescia)
(IT)

(**) **Term:** **14 Years**

(21) **Appl. No.:** **29/244,640**

(22) **Filed:** **Dec. 13, 2005**

(30) **Foreign Application Priority Data**

Jun. 17, 2005 (EM) 000373618

(51) **LOC (8) Cl.** **28-03**

(52) **U.S. Cl.** **D24/215; D24/200**

(58) **Field of Classification Search** D24/200,
D24/211-215, 209-210, 119, 133, 158; 601/46,
601/67-70, 134-138; 606/1, 17, 13; 362/800,
362/399, 202; D26/37, 67; 607/90-95, 88
See application file for complete search history.

(56) **References Cited**

U.S. PATENT DOCUMENTS

D481,463 S * 10/2003 Cook et al. D24/200
D484,605 S * 12/2003 Cook et al. D24/200
D487,592 S * 3/2004 Chang D24/215

D490,528 S * 5/2004 Cook et al. D24/200
D504,954 S * 5/2005 Park D24/215
D519,234 S * 4/2006 Lee D26/37
D523,561 S * 6/2006 Telford D24/215
D523,562 S * 6/2006 Telford D24/215
D524,470 S * 7/2006 Lee D26/37

* cited by examiner

Primary Examiner—Ian Simmons

Assistant Examiner—Melanie Levy

(74) *Attorney, Agent, or Firm*—Shoemaker and Mattare

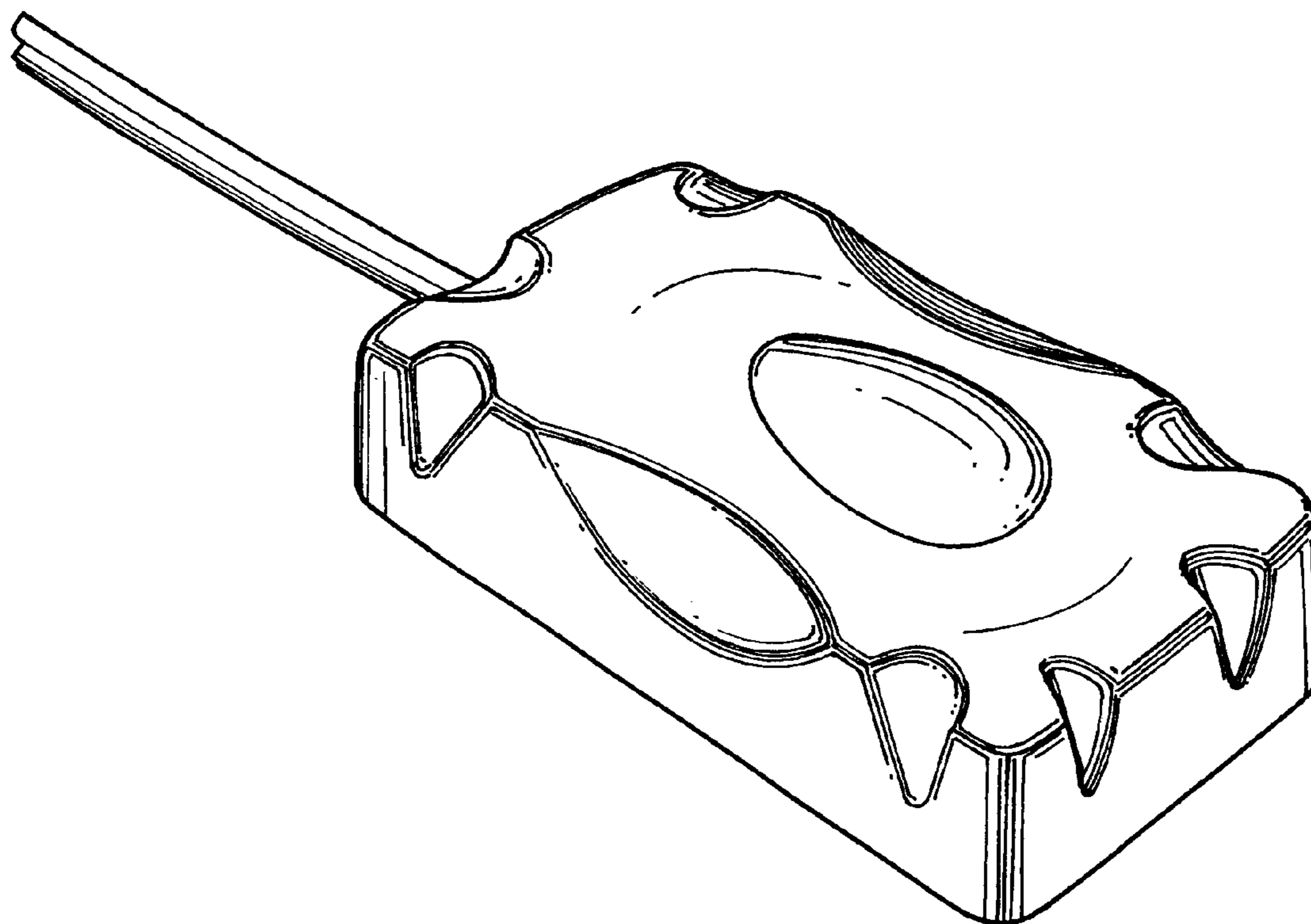
(57) **CLAIM**

The ornamental design for a skin treatment apparatus, as shown and described.

DESCRIPTION

FIG. 1 is a perspective of a skin treatment apparatus, showing my new design from the front, top and right side; FIG. 2 is a perspective view thereof, from the bottom, rear and left side; FIG. 3 is a left side view thereof; FIG. 4 is a front elevational view thereof; FIG. 5 is a rear elevational view thereof; FIG. 6 is a top plan view thereof; and, FIG. 7 is a bottom plan view thereof.

1 Claim, 2 Drawing Sheets



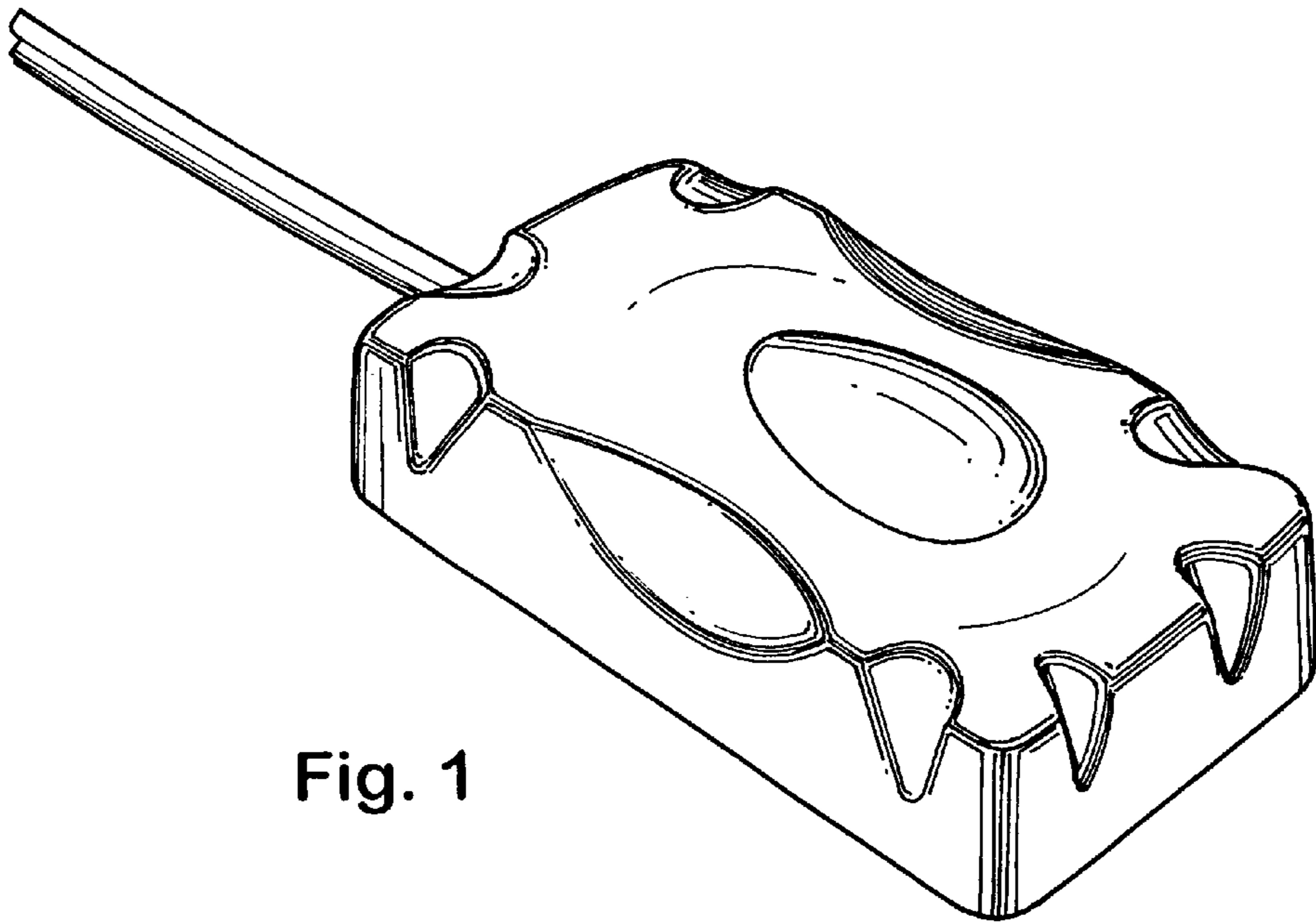


Fig. 1

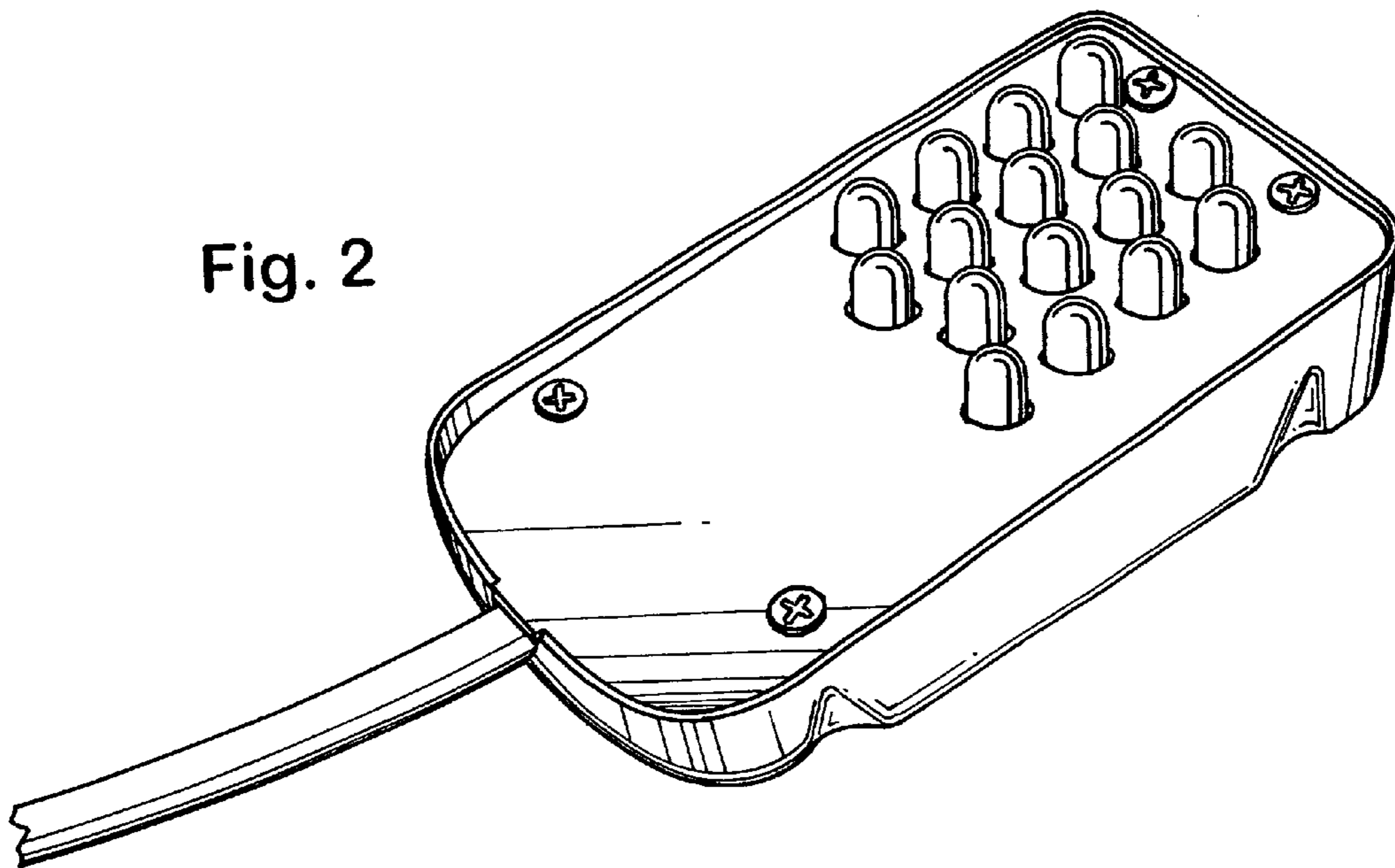


Fig. 2

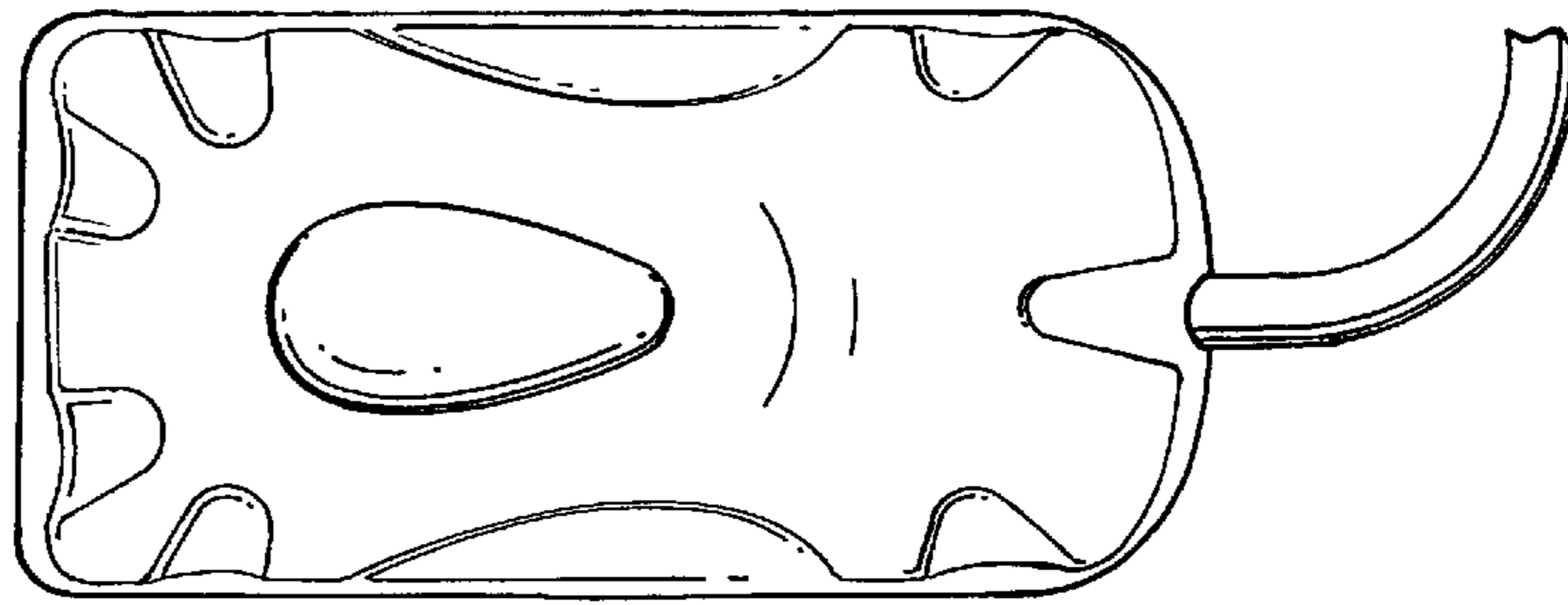


Fig. 6

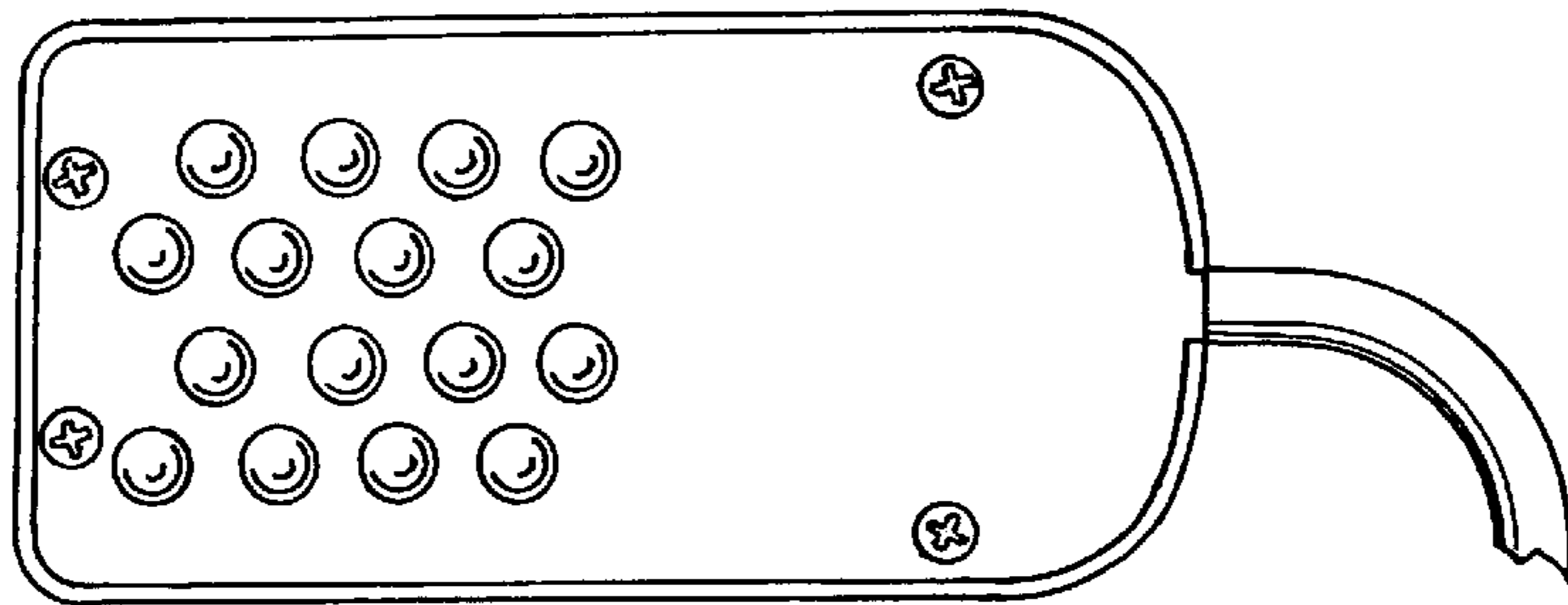


Fig. 7

Fig. 3

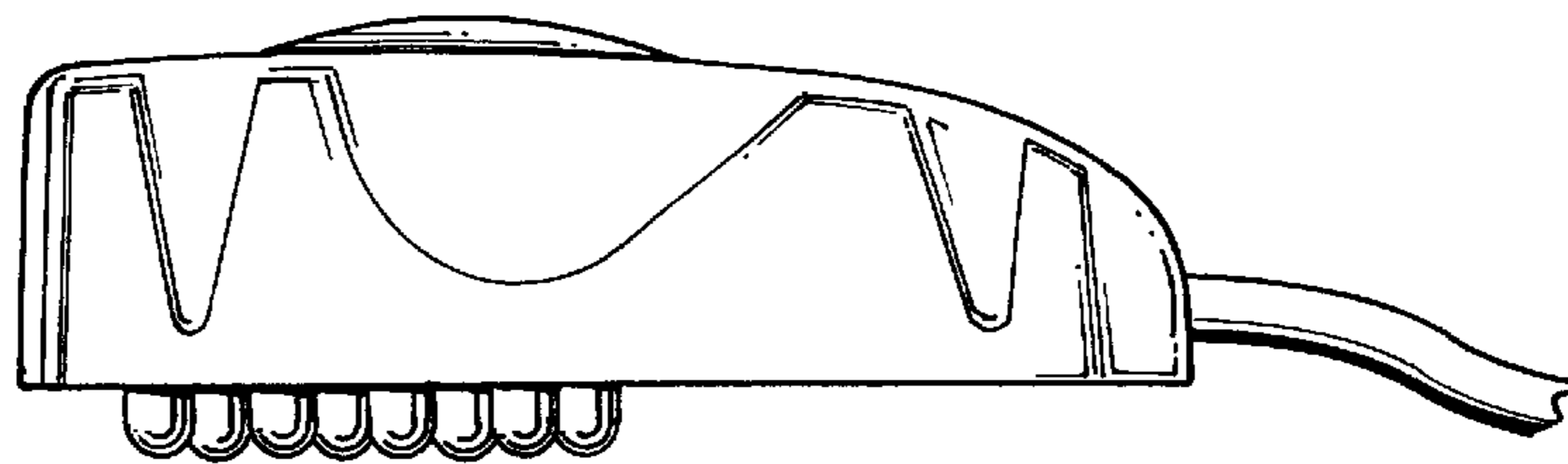


Fig. 4

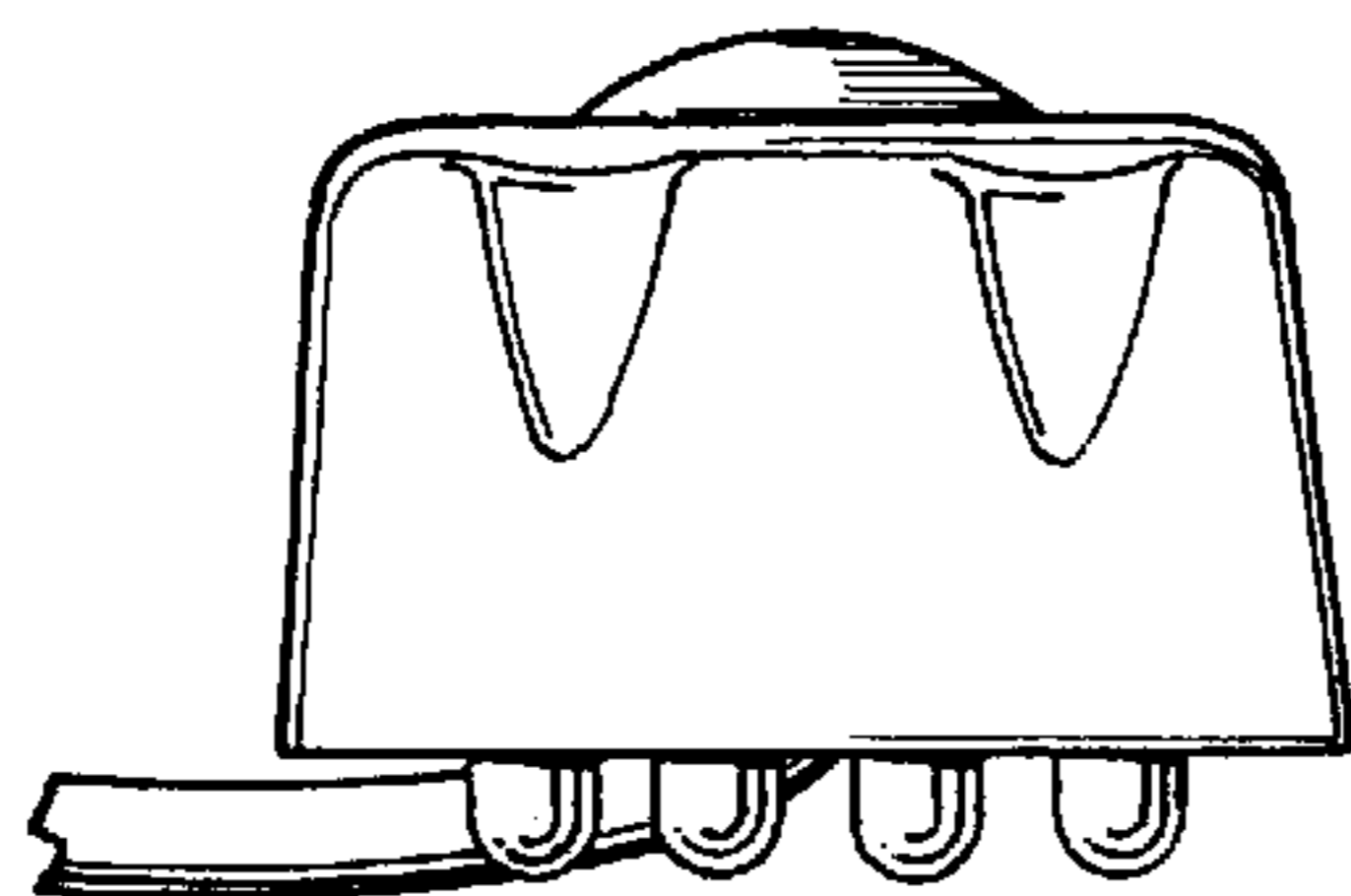
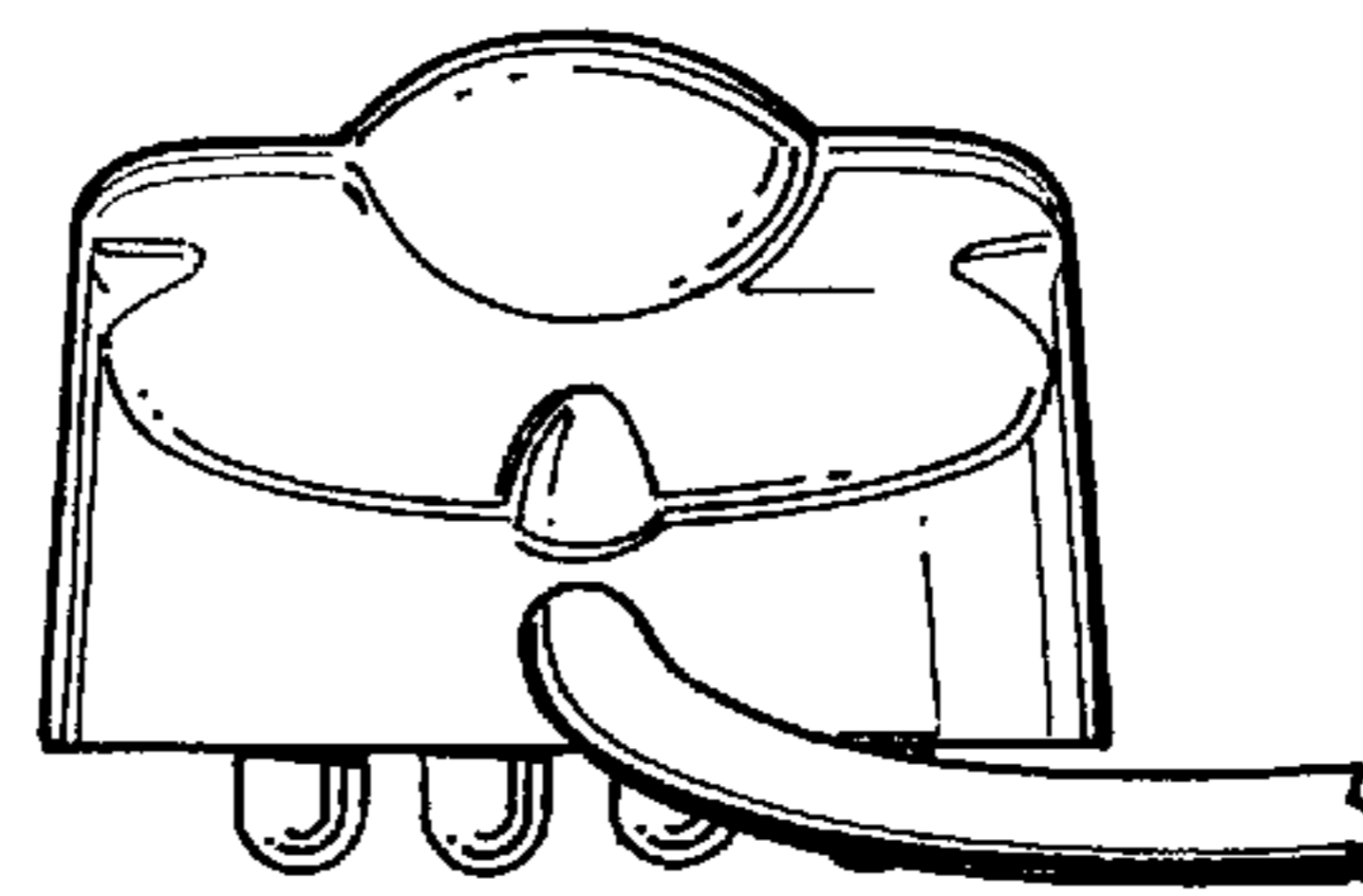


Fig. 5



UNITED STATES PATENT AND TRADEMARK OFFICE
CERTIFICATE OF CORRECTION

PATENT NO. : Des. 539,916 S
APPLICATION NO. : 29/244640
DATED : April 3, 2007
INVENTOR(S) : Baldacchini

Page 1 of 1

It is certified that error appears in the above-identified patent and that said Letters Patent is hereby corrected as shown below:

Title Page;

The inventor name at reference (12) reading "Baldachini" should read -- Baldacchini --.

The inventor name at reference (76) reading "Marcello Rinaldo Baldachini" should read -- Marcello Rinaldo Baldacchini --.

Signed and Sealed this

Third Day of July, 2007

A handwritten signature in black ink on a light gray dotted background. The signature reads "Jon W. Dudas" in a cursive style.

JON W. DUDAS

Director of the United States Patent and Trademark Office