



US00D539912S

(12) **United States Design Patent**
Jacobs

(10) **Patent No.:** **US D539,912 S**

(45) **Date of Patent:** **** Apr. 3, 2007**

(54) **ICE PACK HOLDER**

(76) Inventor: **Brenda L. Jacobs**, 5913 Lavon Dr.,
Flower Mound, TX (US) 75028

(**) Term: **14 Years**

(21) Appl. No.: **29/256,548**

(22) Filed: **Mar. 22, 2006**

(51) **LOC (8) Cl.** **24-04**

(52) **U.S. Cl.** **D24/206**

(58) **Field of Classification Search** D24/190,
D24/191, 206-208; 607/108, 111, 114, 96,
607/109; 224/901.4, 222, 901.6; 602/14,
602/61, 62

See application file for complete search history.

(56) **References Cited**

U.S. PATENT DOCUMENTS

4,572,167 A * 2/1986 Brunswick 602/19
5,020,711 A * 6/1991 Kelley 224/222

5,111,810 A * 5/1992 Fortney 607/108
D425,996 S * 5/2000 Owen, Jr. D24/206
D500,140 S * 12/2004 Krahnert et al. D24/206

* cited by examiner

Primary Examiner—Ian Simmons

Assistant Examiner—Melanie Levy

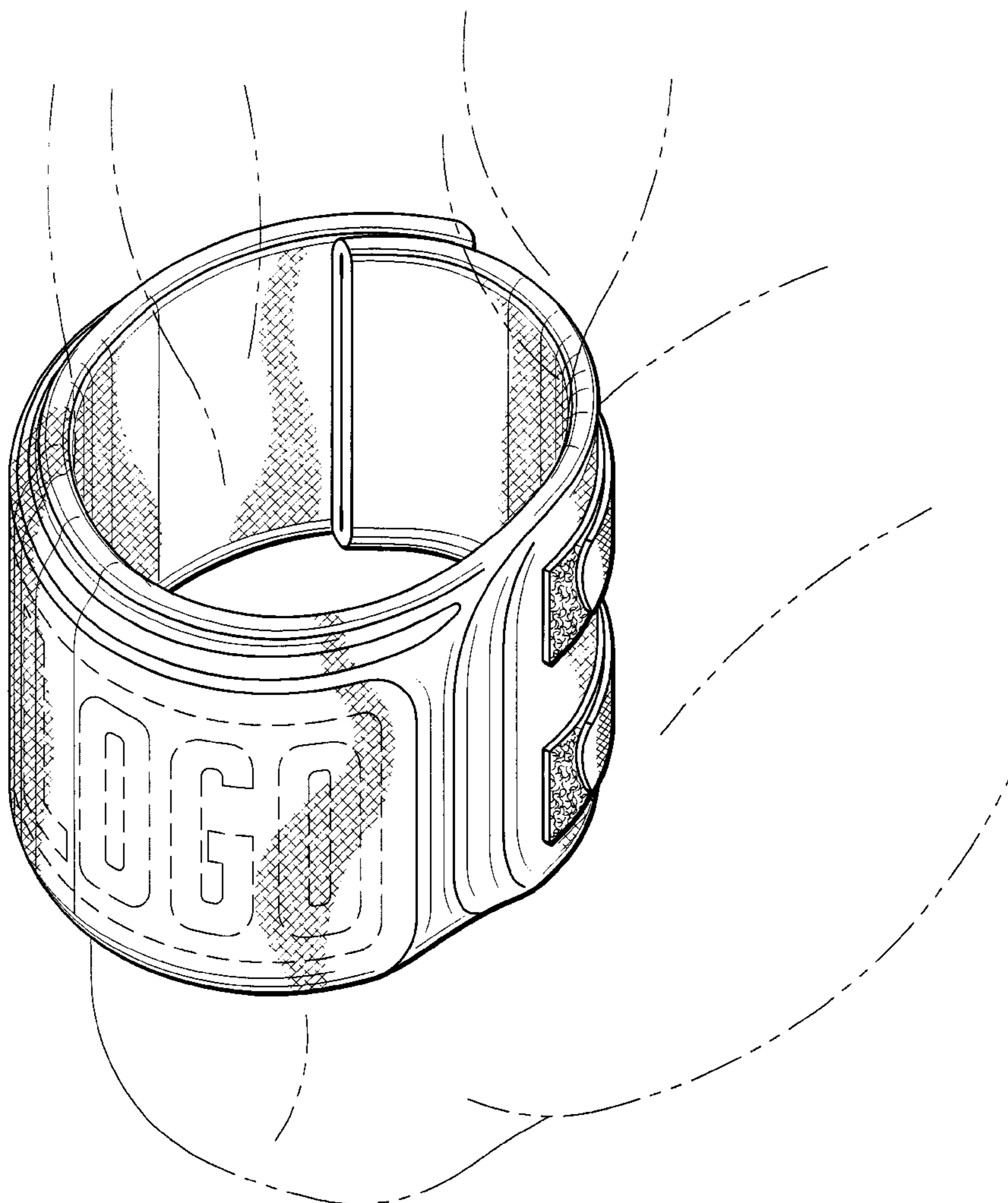
(57) **CLAIM**

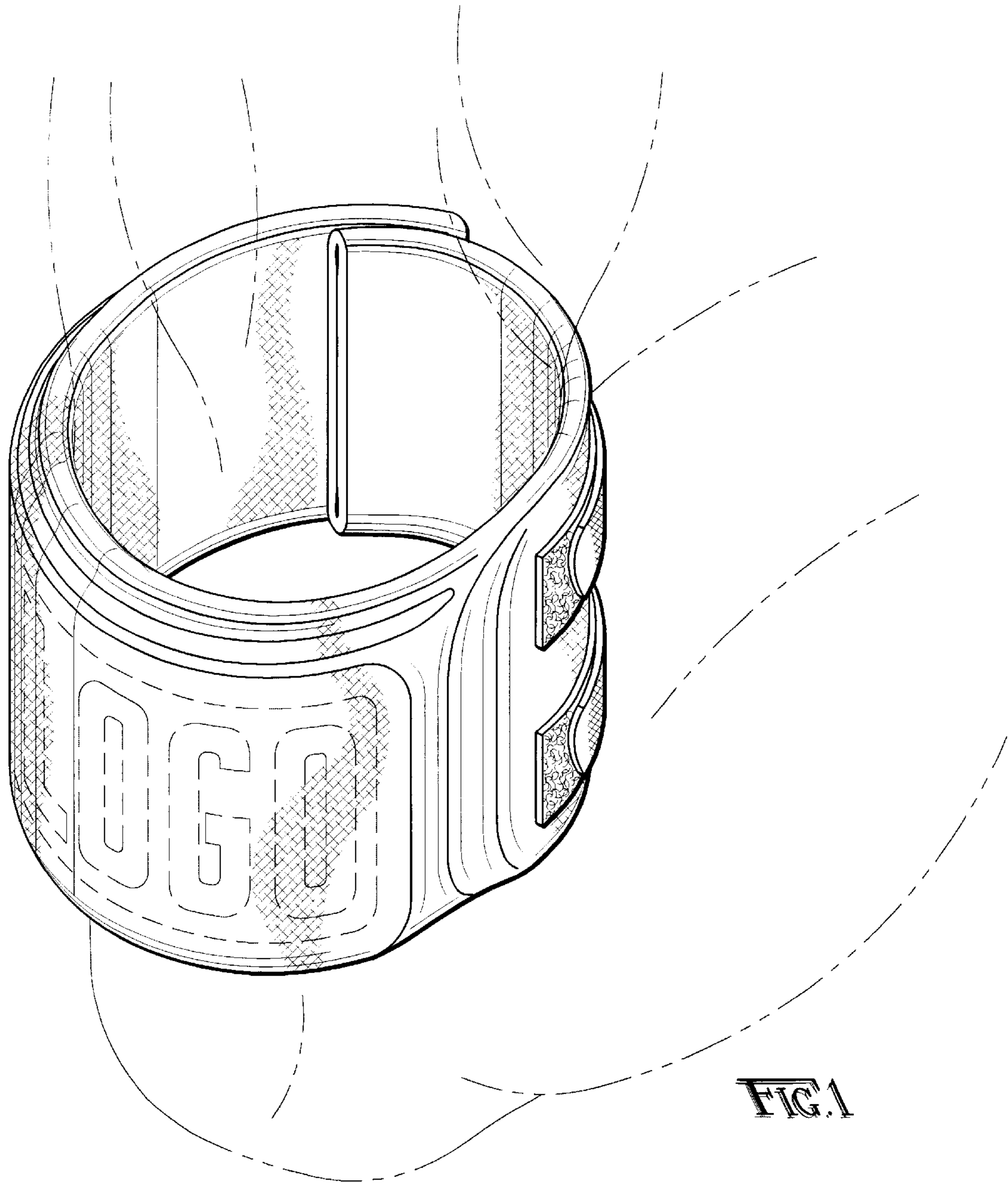
The ornamental design for an ice pack holder, as shown and described.

DESCRIPTION

FIG. 1 is a perspective view of my design;
FIG. 2 is a right side view of my design;
FIG. 3 is a left side view of my design;
FIG. 4 is a top view of my design;
FIG. 5 is a front view of my design; and,
FIG. 6 is a back view of my design.
The features shown in broken lines are shown for illustrative purpose only and form no part of the claimed design.

1 Claim, 4 Drawing Sheets





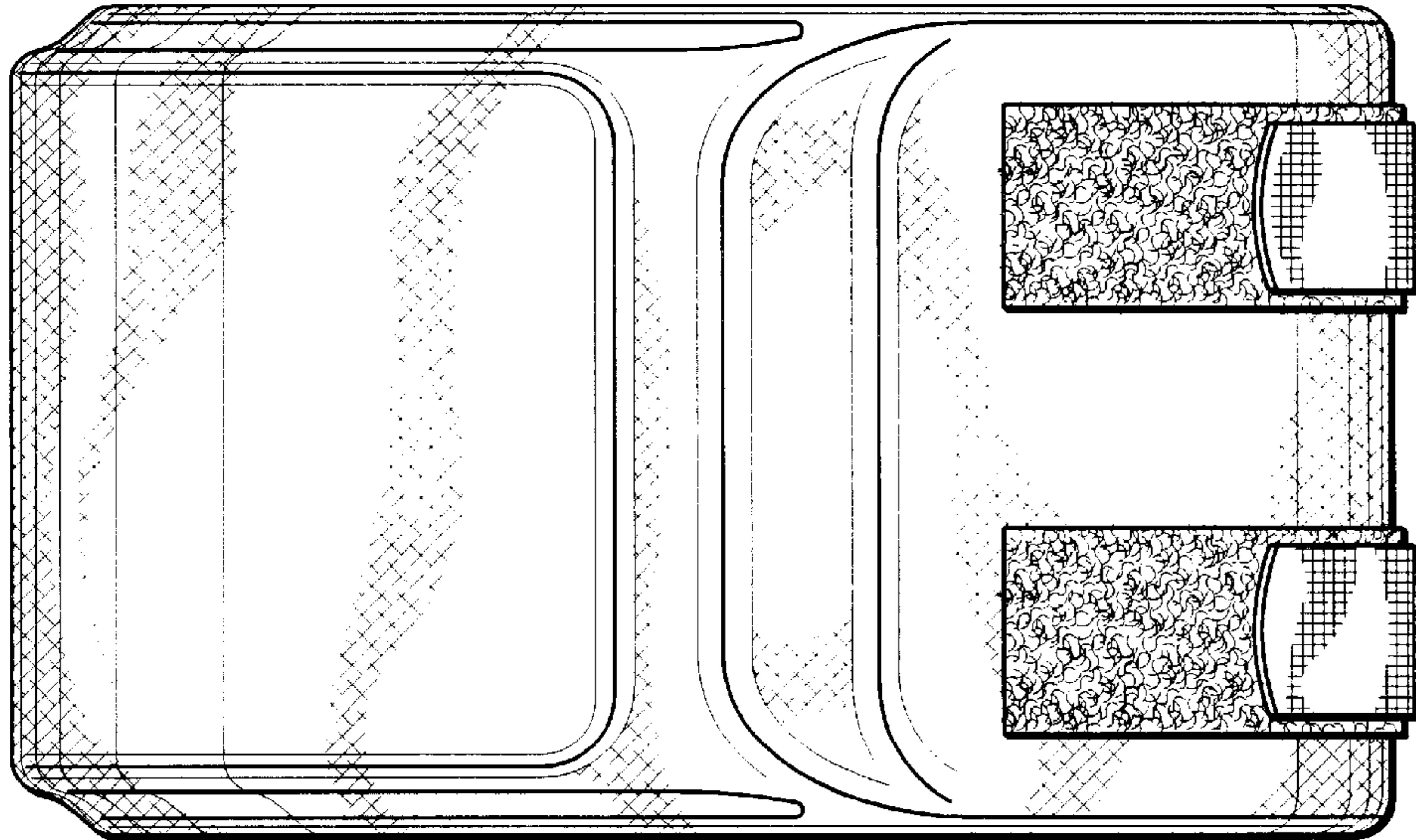


FIG. 2

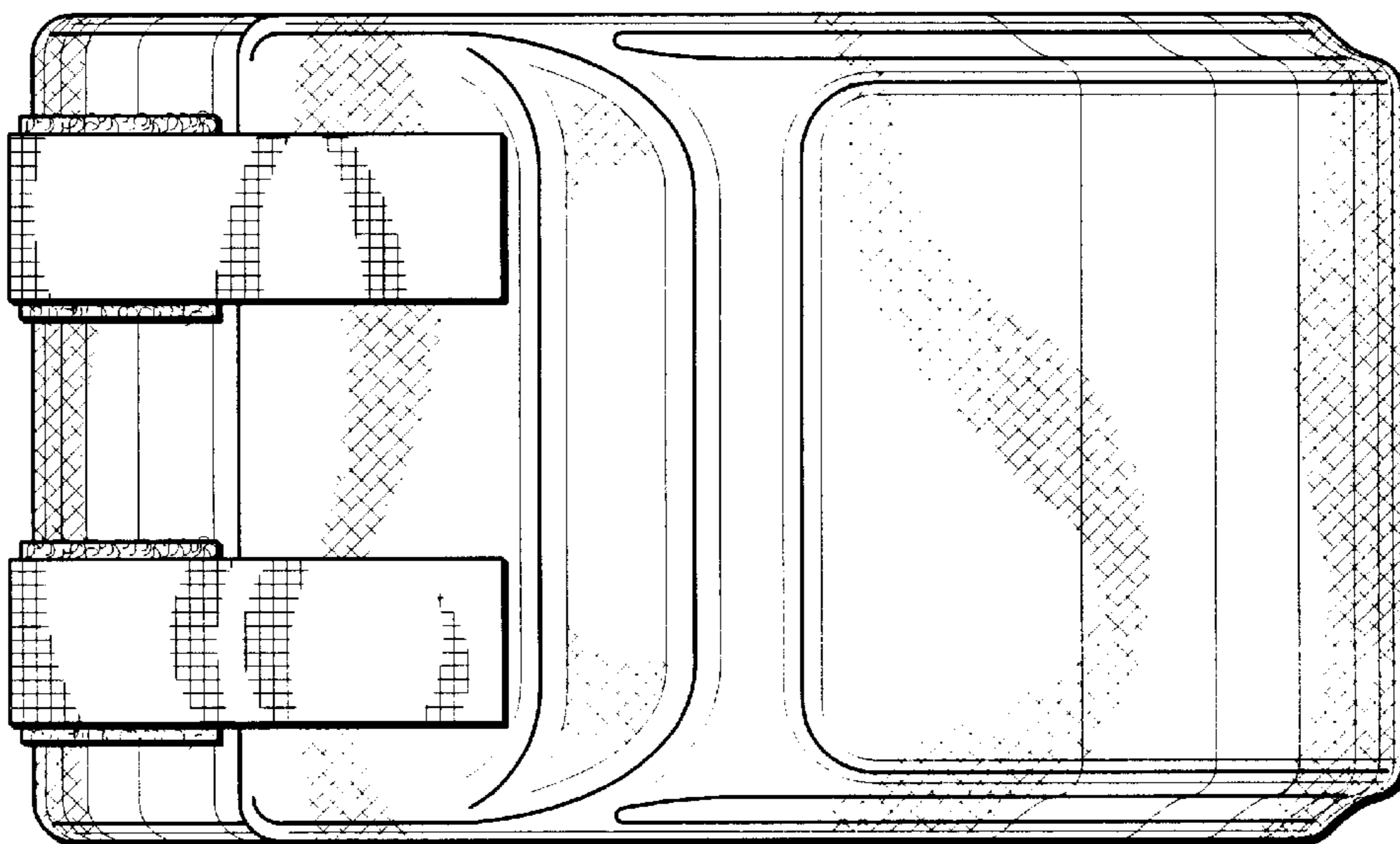


FIG. 3

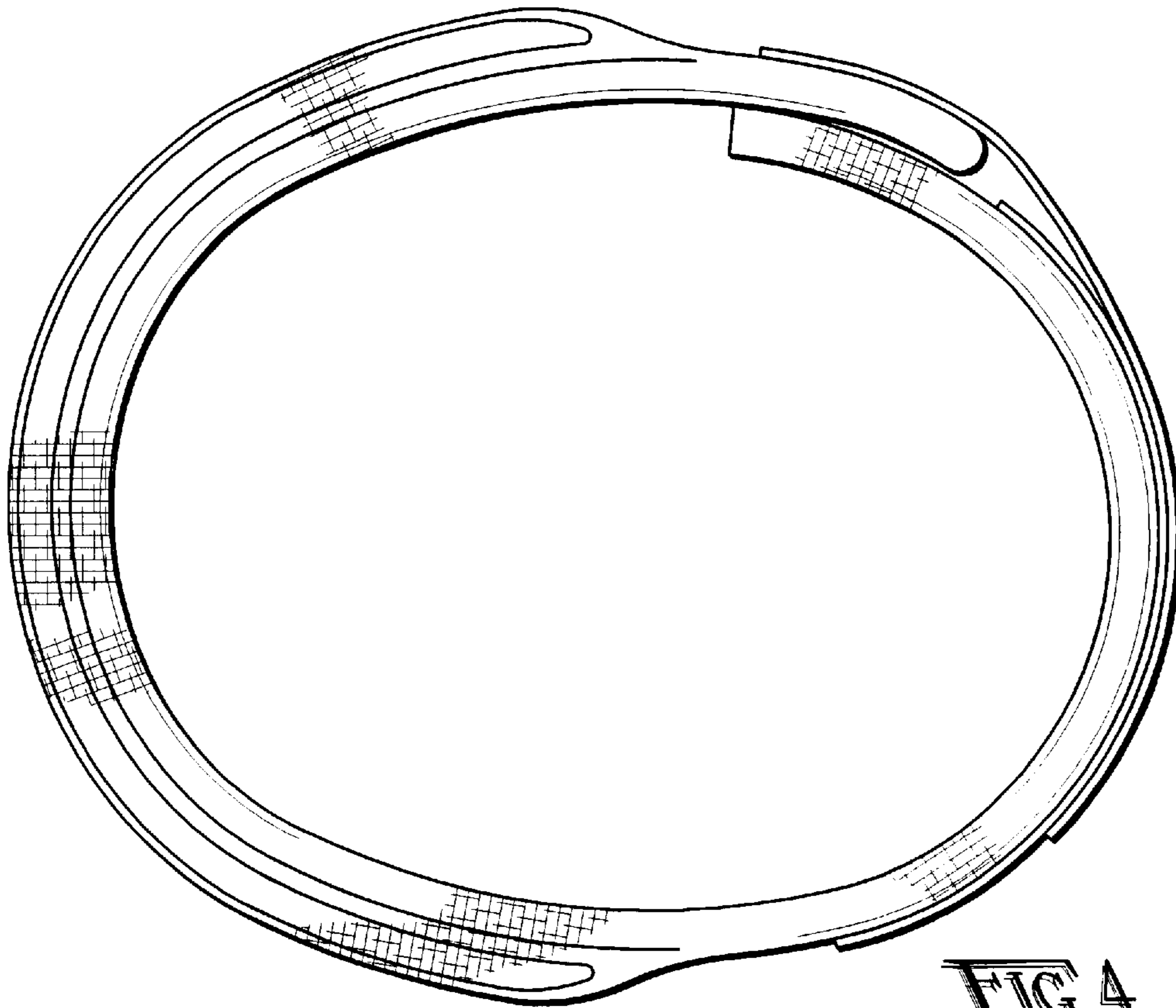


FIG. 4

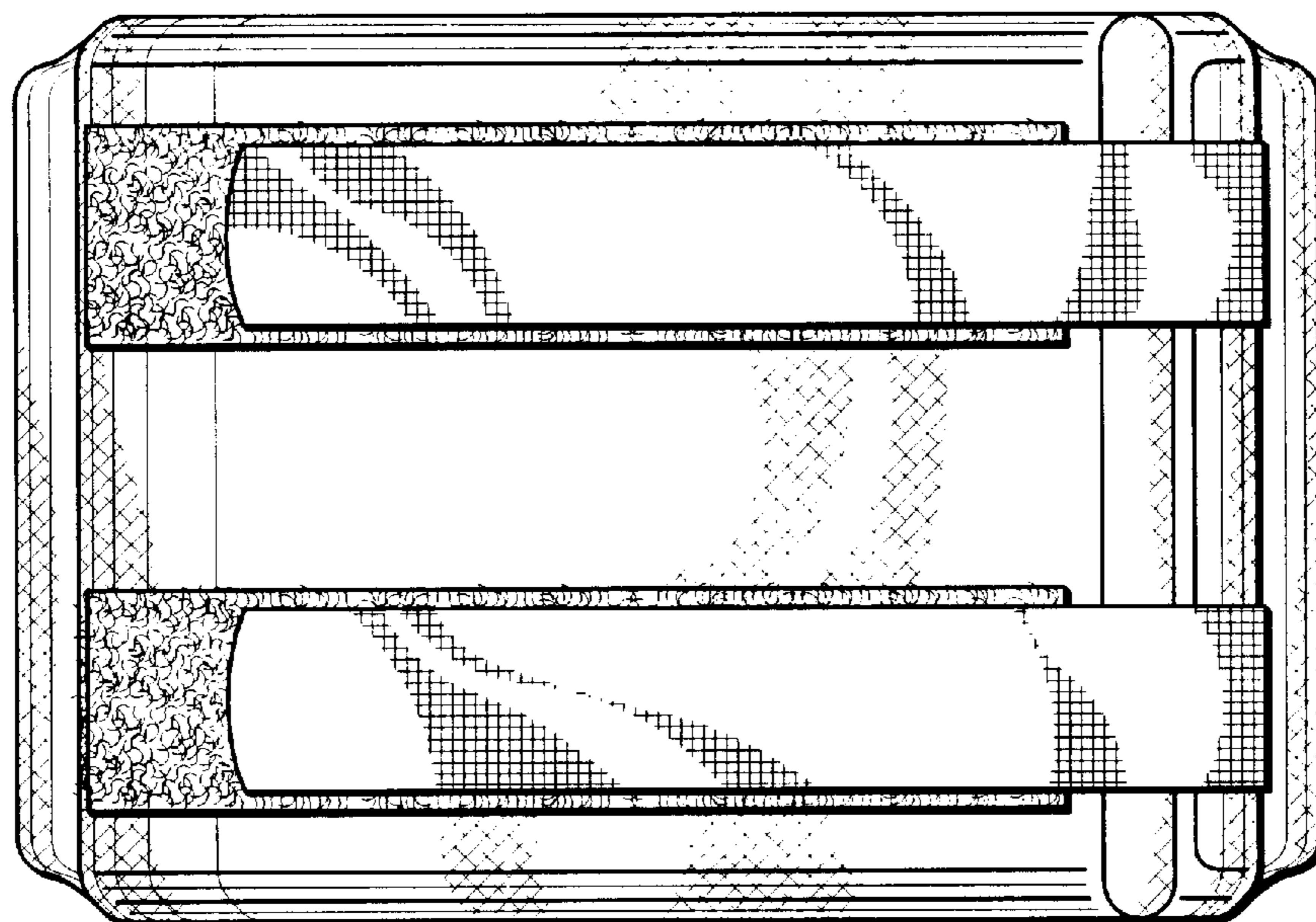


FIG. 5

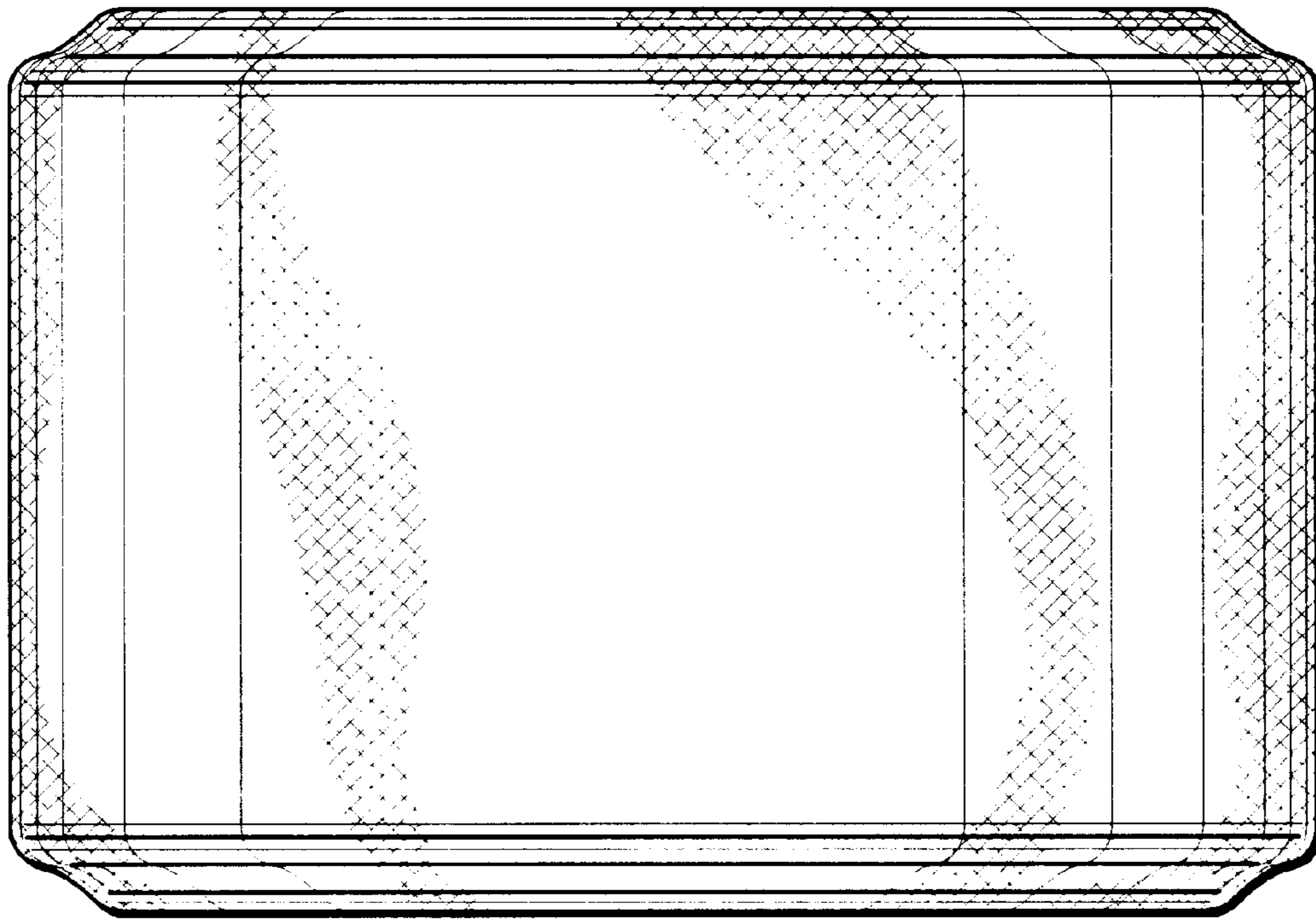


FIG. 6