



US00D539907S

(12) **United States Design Patent**  
**Harrison**

(10) **Patent No.:** **US D539,907 S**

(45) **Date of Patent:** **\*\* Apr. 3, 2007**

(54) **SINUS THERAPY DEVICE**

(76) **Inventor:** **Fred Harrison**, 525 Battery Pl., No. 10, Chattanooga, TN (US) 37403

(\*\*) **Term:** **14 Years**

(21) **Appl. No.:** **29/239,799**

(22) **Filed:** **Oct. 4, 2005**

(51) **LOC (8) Cl.** ..... **24-02**

(52) **U.S. Cl.** ..... **D24/143**

(58) **Field of Classification Search** ..... D24/143,  
D24/106, 110, 135, 133, 190, 191; 606/190,  
606/207, 158, 163, 157, 201, 204; 128/200.24,  
128/865; D14/205, 223; D29/112  
See application file for complete search history.

(56) **References Cited**

**U.S. PATENT DOCUMENTS**

D319,878 S	*	9/1991	Holland	.....	D24/106
D325,439 S	*	4/1992	Apple et al.	.....	D24/135
D422,080 S	*	3/2000	Vincent	.....	D24/135
D494,671 S	*	8/2004	Chiang	.....	D24/106

\* cited by examiner

*Primary Examiner*—Antoine D. Davis  
*Assistant Examiner*—Christopher Lee

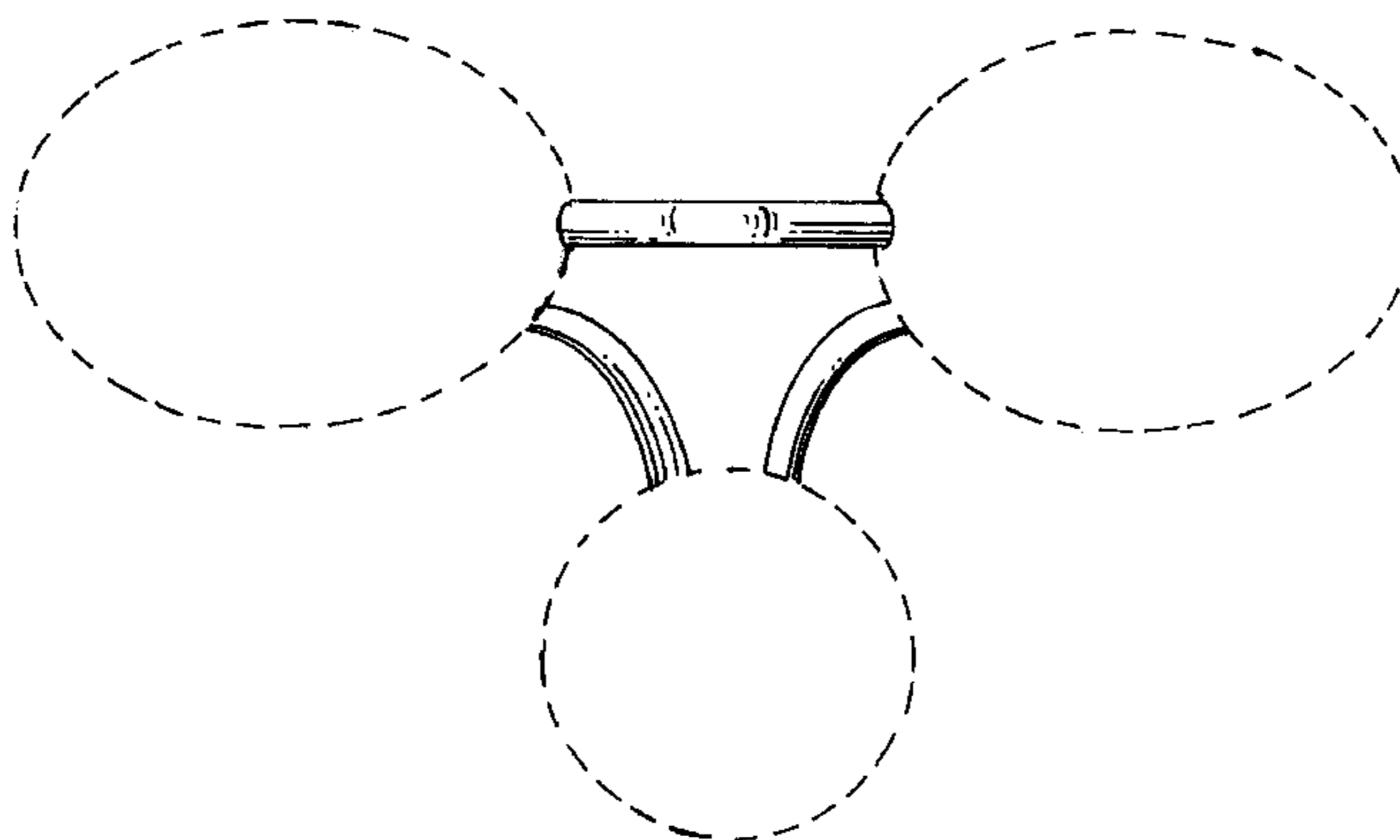
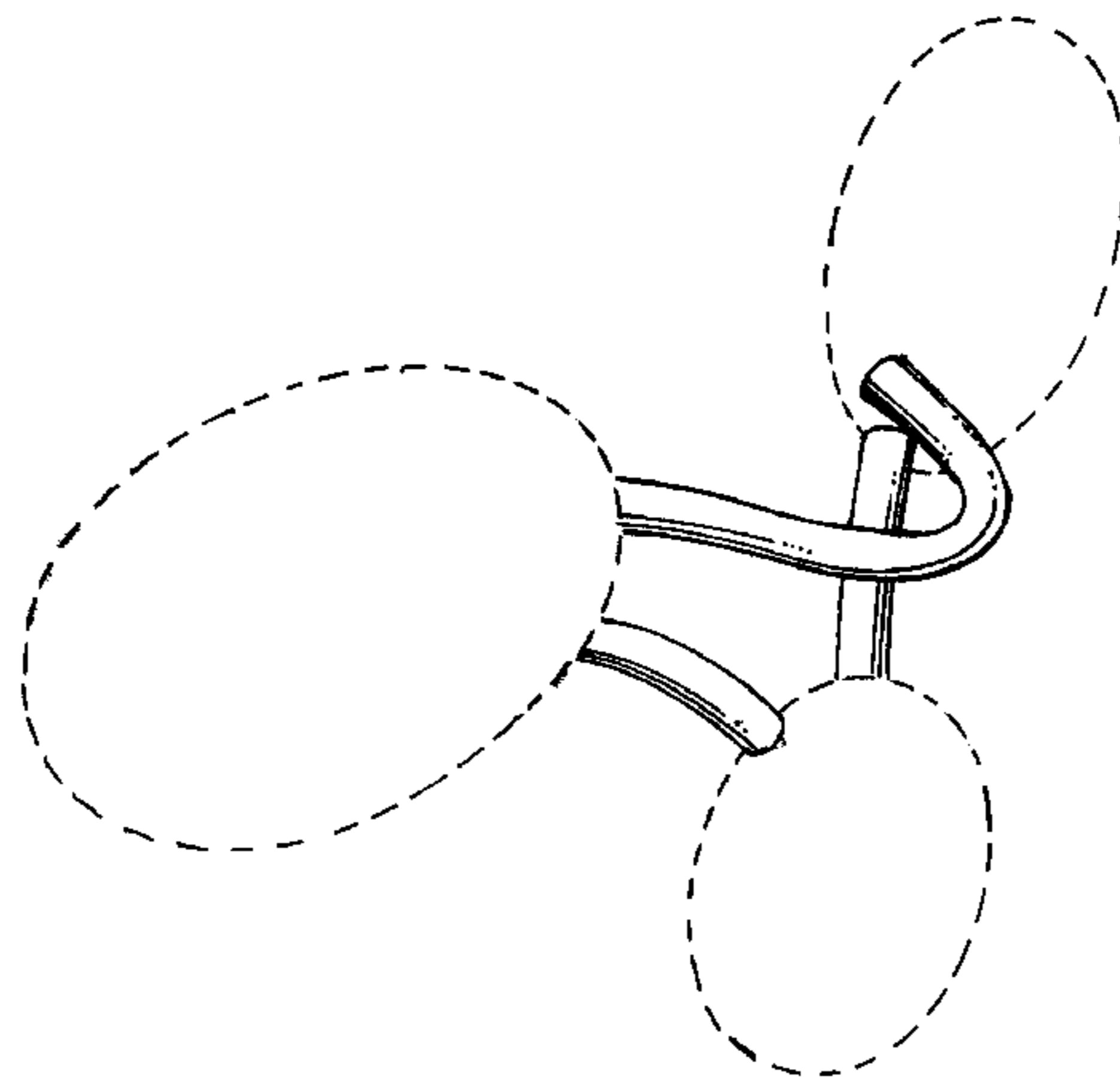
(57) **CLAIM**

The ornamental design for a sinus therapy device, as shown and described.

**DESCRIPTION**

FIG. 1 is a bottom perspective view of a sinus therapy device of the presently preferred embodiment of the present invention;  
FIG. 2 is a front elevation view of the sinus therapy device shown in FIG. 1;  
FIG. 3 is a right side elevation view of the sinus therapy device shown in FIGS. 1 and 2, the left side elevation view being a mirror image thereof;  
FIG. 4 represents a rear elevation view of the sinus therapy device shown in FIGS. 1–3;  
FIG. 5 is a bottom plan view of the sinus therapy device; and,  
FIG. 6 is a top plan view of the sinus therapy device as shown in FIG. 1.  
The broken line showing is for illustrative purposes only and forms no part of the claimed design.

**1 Claim, 2 Drawing Sheets**



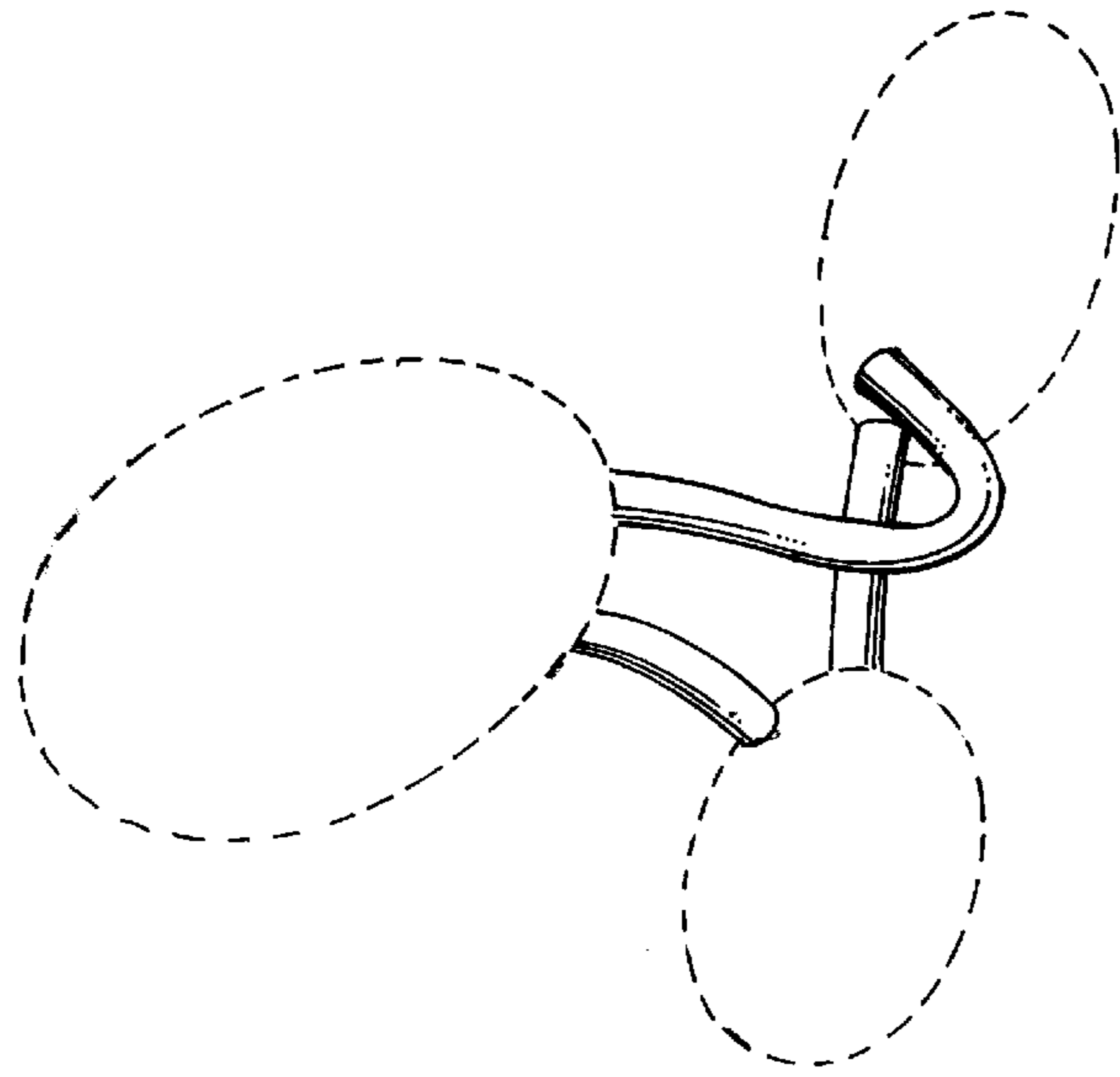


FIG. 1

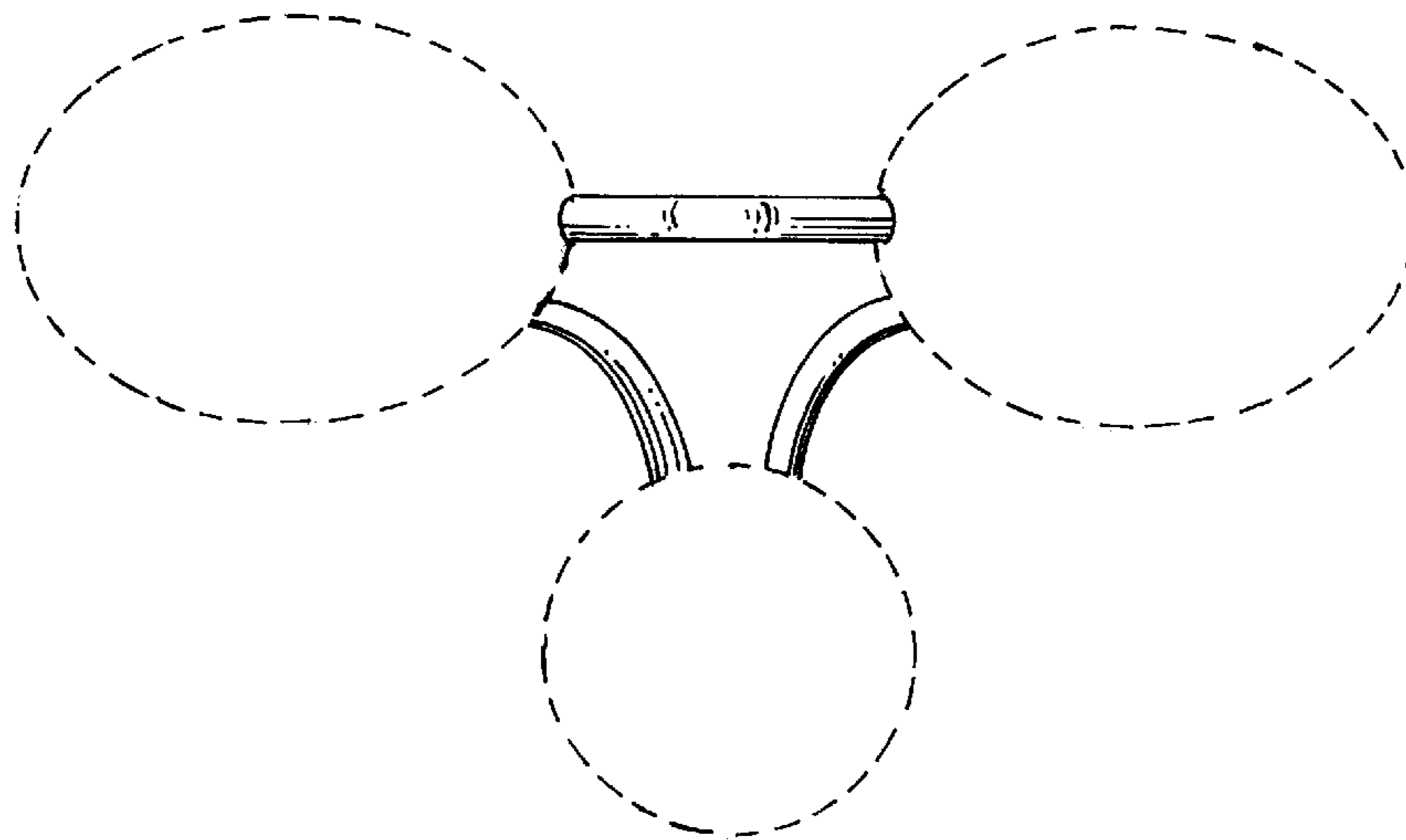
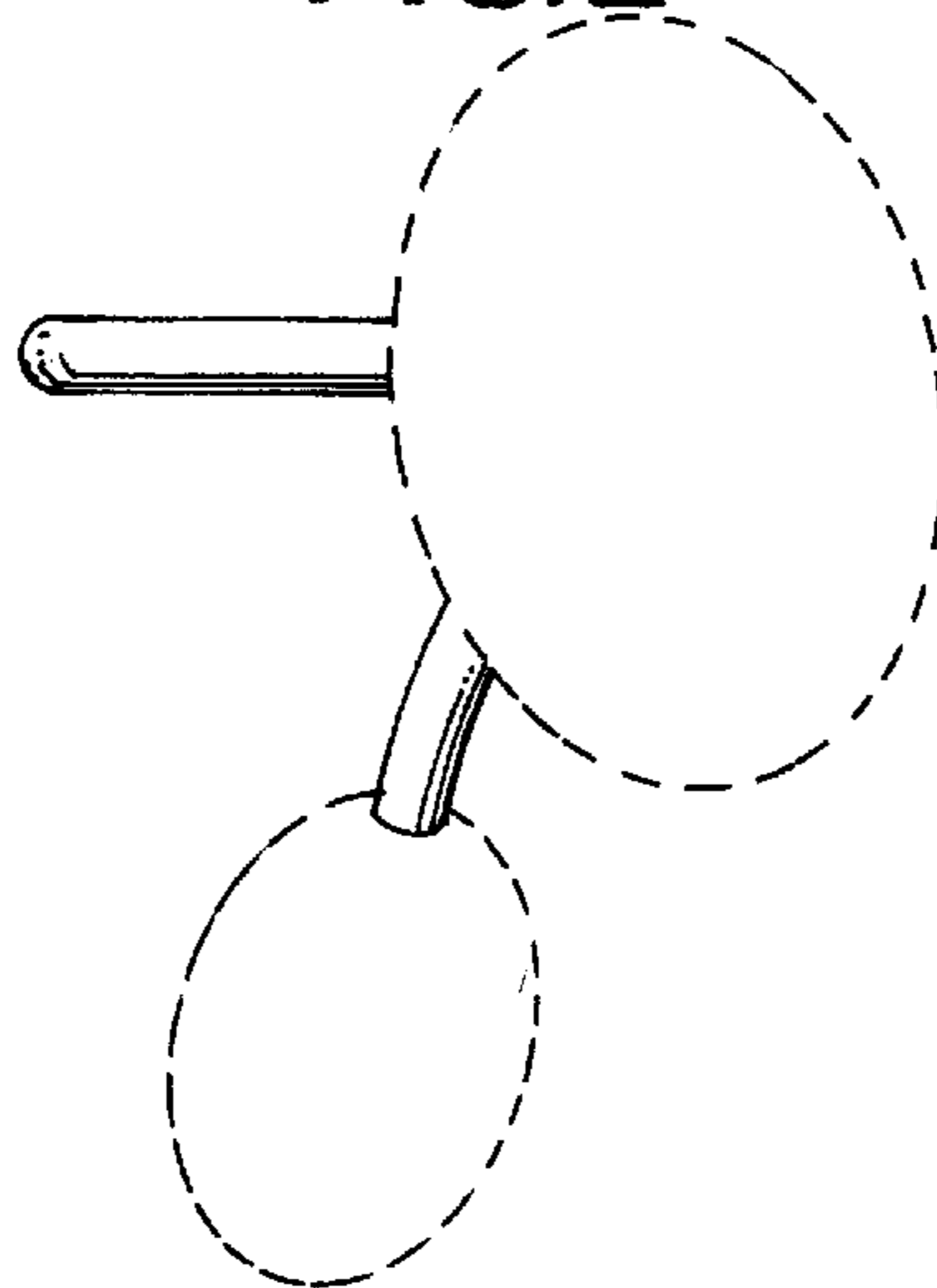
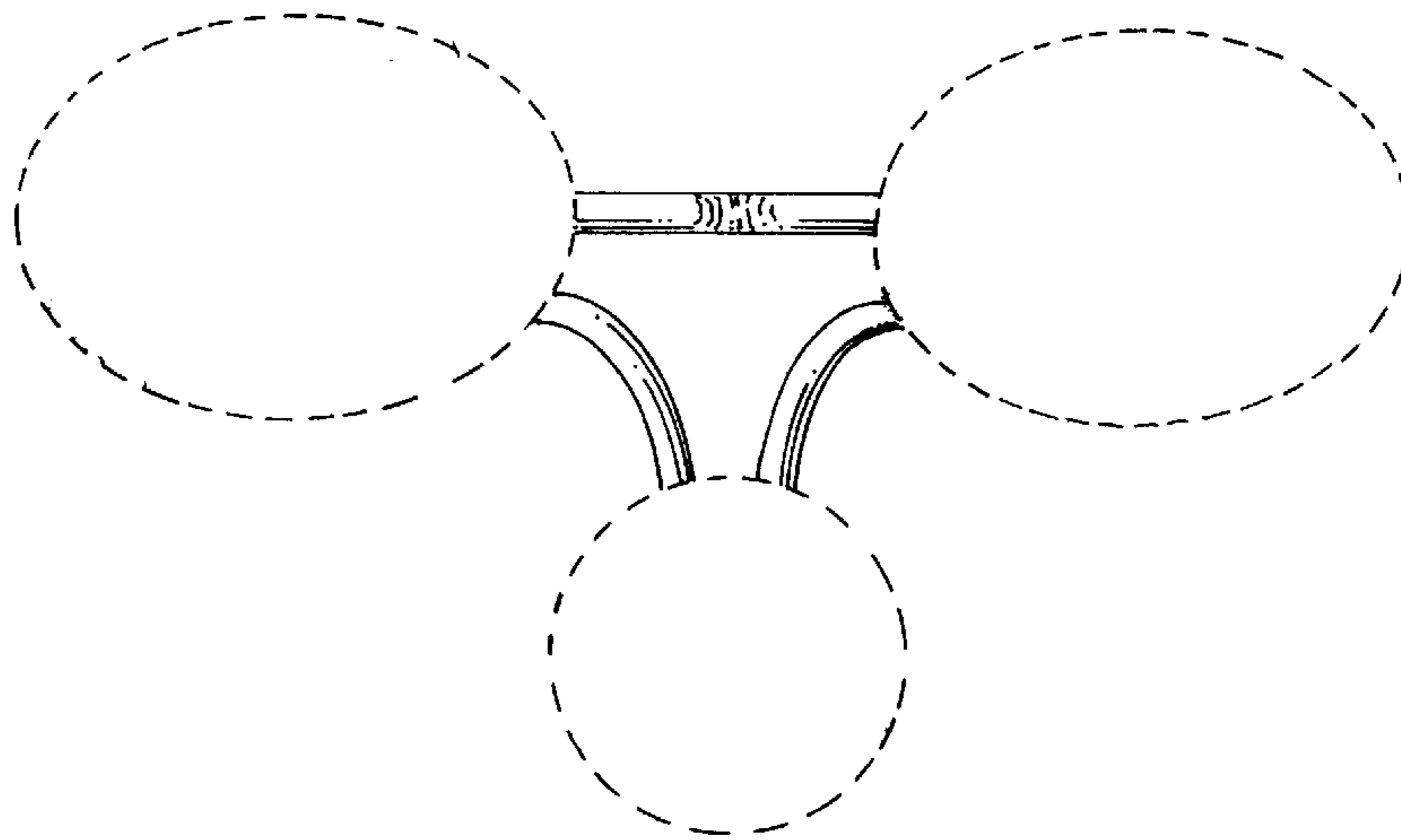


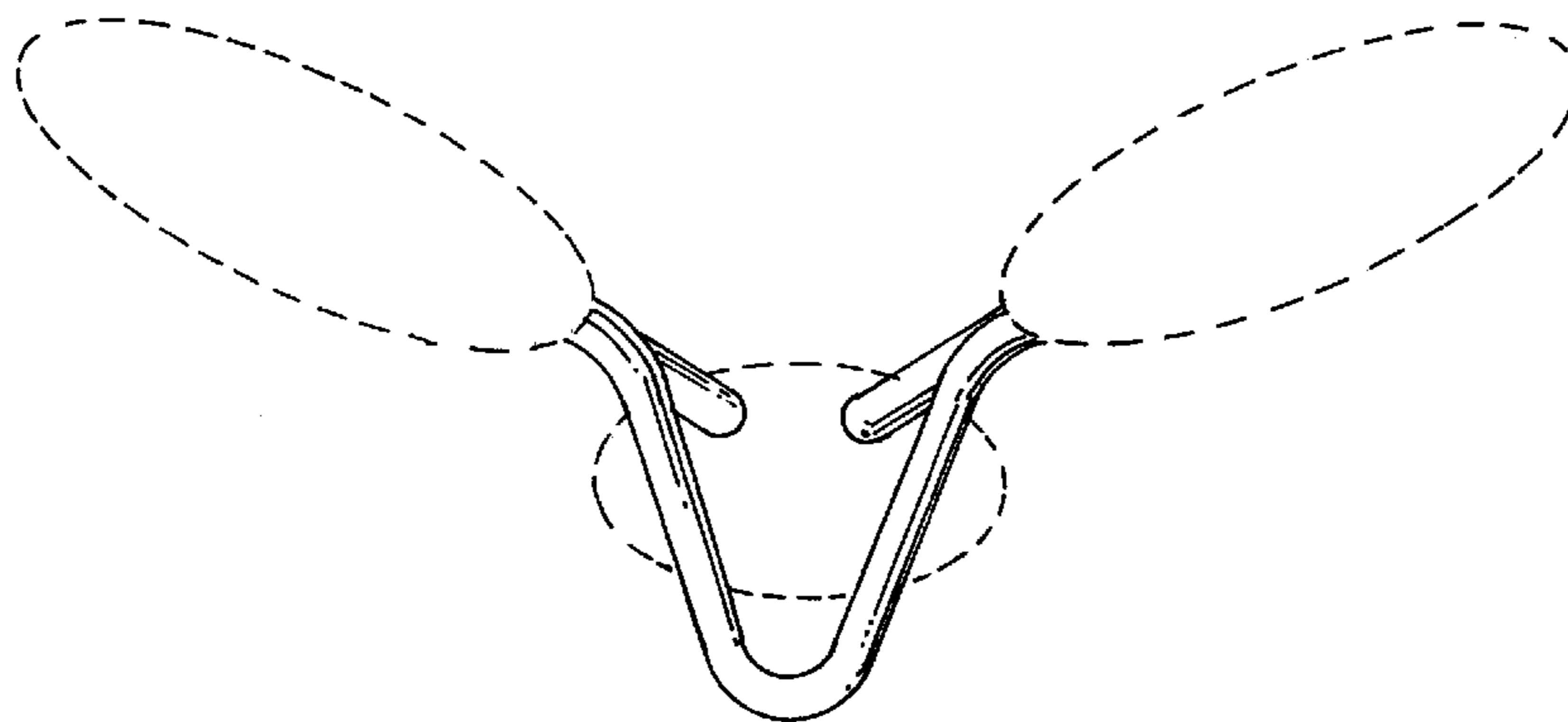
FIG. 2

FIG. 3

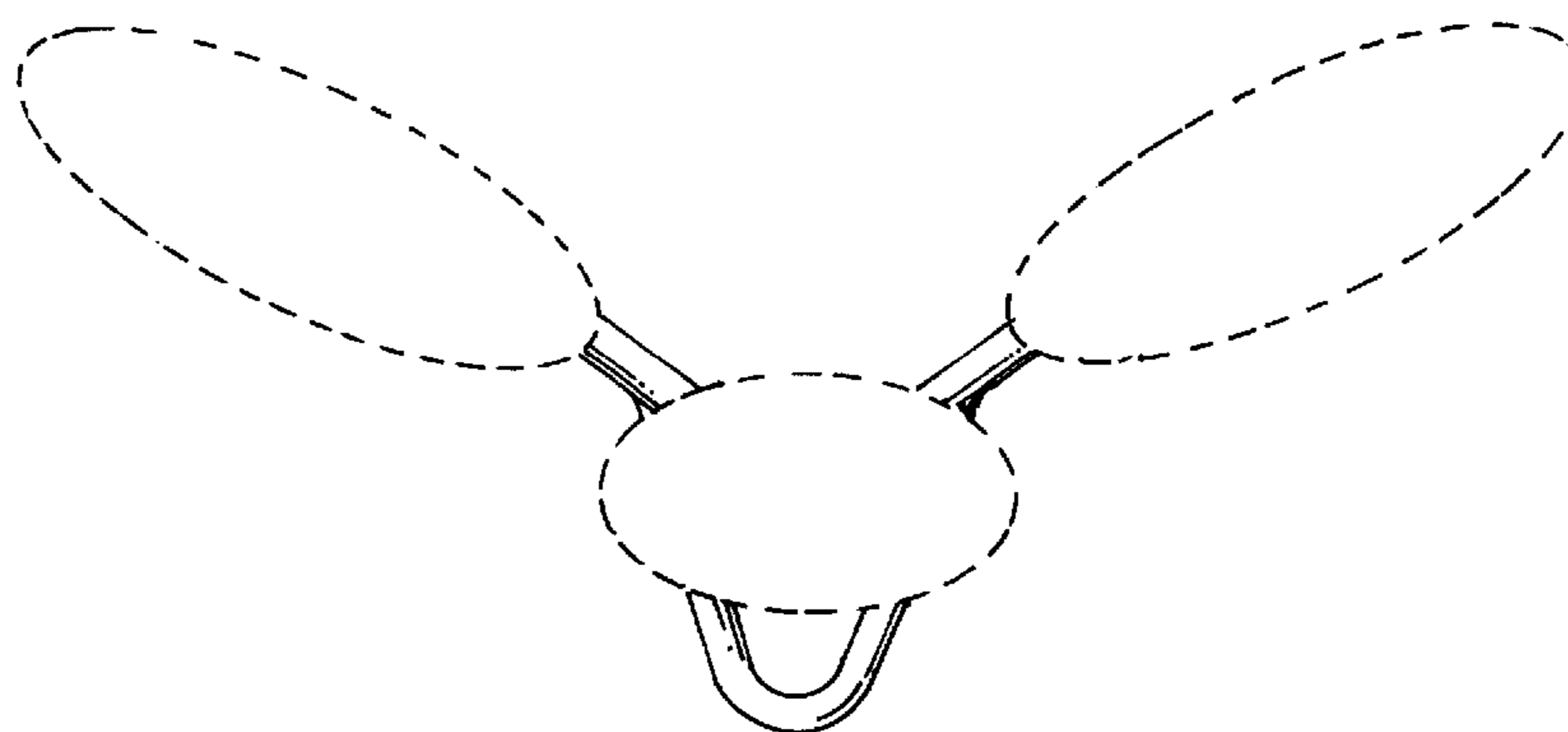




**FIG. 4**



**FIG. 5**



**FIG. 6**