



US00D539906S

(12) **United States Design Patent**
White

(10) **Patent No.:** **US D539,906 S**

(45) **Date of Patent:** **** Apr. 3, 2007**

(54) **COMBINED Y-INJECTION SITE AND
PATIENT BRACELET FOB FOR I.V.
ADMINISTRATION SETS THAT COUPLE BY
COMPRESSION FITTINGS**

(76) Inventor: **James E. White**, 4127 E. Churchill,
Springfield, MO (US) 65809

(**) Term: **14 Years**

(21) Appl. No.: **29/243,806**

(22) Filed: **Nov. 30, 2005**

(51) **LOC (8) Cl.** **24-01**

(52) **U.S. Cl.** **D24/128; 604/180**

(58) **Field of Classification Search** D24/127-130,
D24/191, 112, 114; 128/DIG. 15, DIG. 26;
604/174, 176, 180, 241-242

See application file for complete search history.

(56) **References Cited**

U.S. PATENT DOCUMENTS

D217,702 S	*	5/1970	Volk et al.	D24/129
D217,795 S	*	6/1970	Spaven et al.	D24/129
D223,043 S	*	2/1972	Ratner	D24/112
D258,387 S	*	2/1981	De Frank	D24/128
5,116,324 A	*	5/1992	Brierley et al.	604/180
5,643,216 A		7/1997	White	604/174
D414,872 S	*	10/1999	Doyle	D24/191
2004/0167475 A1	*	8/2004	Wright et al.	604/180

* cited by examiner

Primary Examiner—Louis S. Zarfaz
Assistant Examiner—Eric L. Goodman

(74) *Attorney, Agent, or Firm*—Jonathan A. Bay

(57) **CLAIM**

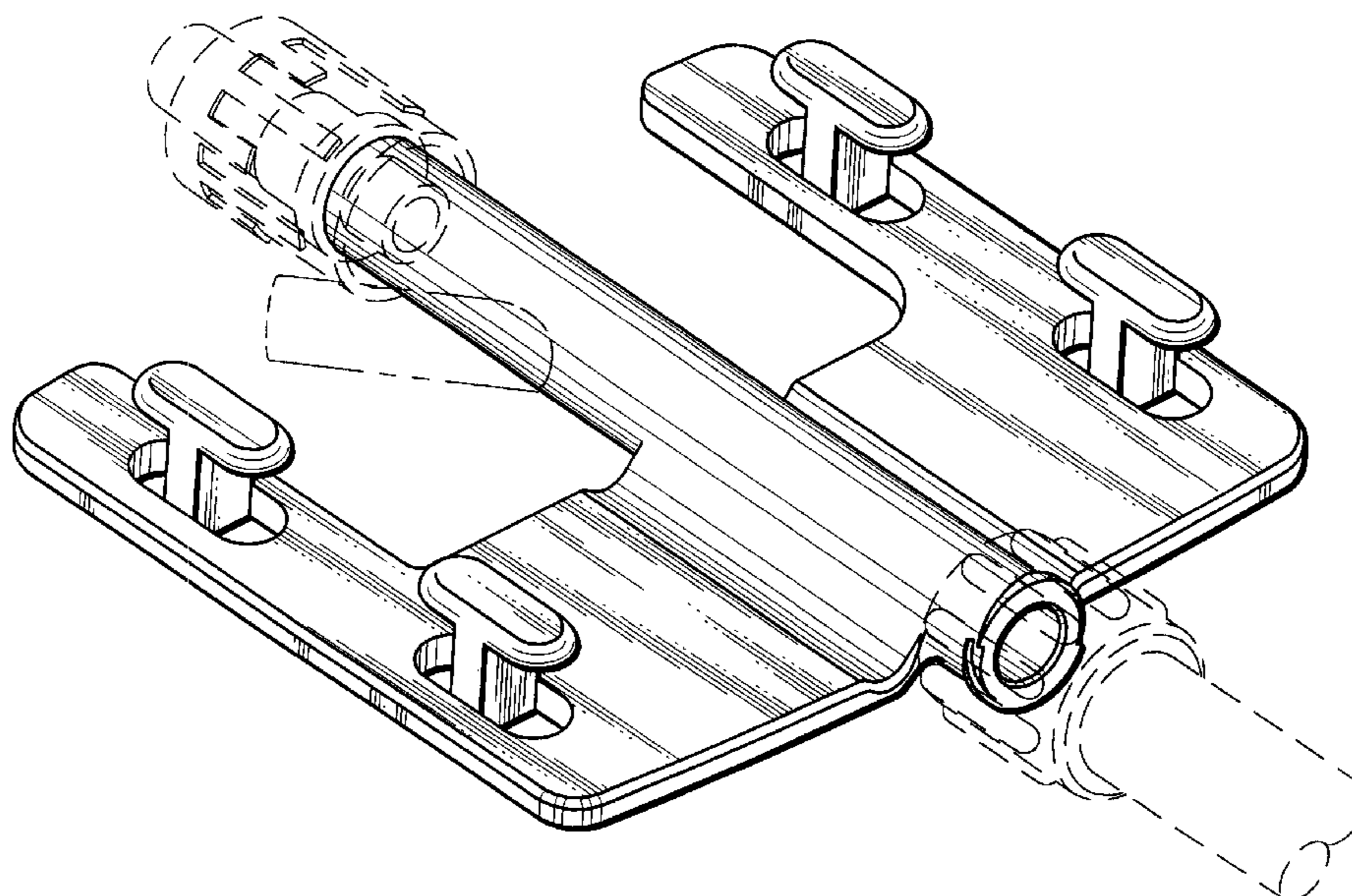
The combined Y-injection site and patient bracelet fob for I.V. administration sets that couple by compression fittings, as shown and described.

DESCRIPTION

FIG. 1 is a perspective view of a combined Y-injection site and patient bracelet fob for I.V. administration sets that couple by compression fittings showing my new design; FIG. 2 is a top plan view thereof; FIG. 3 is a front elevational view thereof; FIG. 4 is a rear elevational view thereof; FIG. 5 is a left side elevational view thereof; FIG. 6 is a right side elevational view thereof; FIG. 7 is a bottom plan view thereof; FIG. 8 is a perspective view comparable to FIG. 1 except apertured elastic banding, a flanged-insert fixture and sliding nut combination that provide compression-fitting capability for syringes (not shown) that releasably couple to such, and I.V. tubing as well as compression-fitting equipped I.V. tubing are all shown in broken lines for illustrative purposes only and form no part of the claimed design; and, FIG. 9 is a perspective view comparable to FIG. 8 except comprising an exploded view thereof, with the apertured elastic banding removed from view.

The broken line boundaries extending off a portion of the lateral sidewall of the main “y” trunk line showing an exemplary “y” branch line form no part of the claimed design.

1 Claim, 6 Drawing Sheets



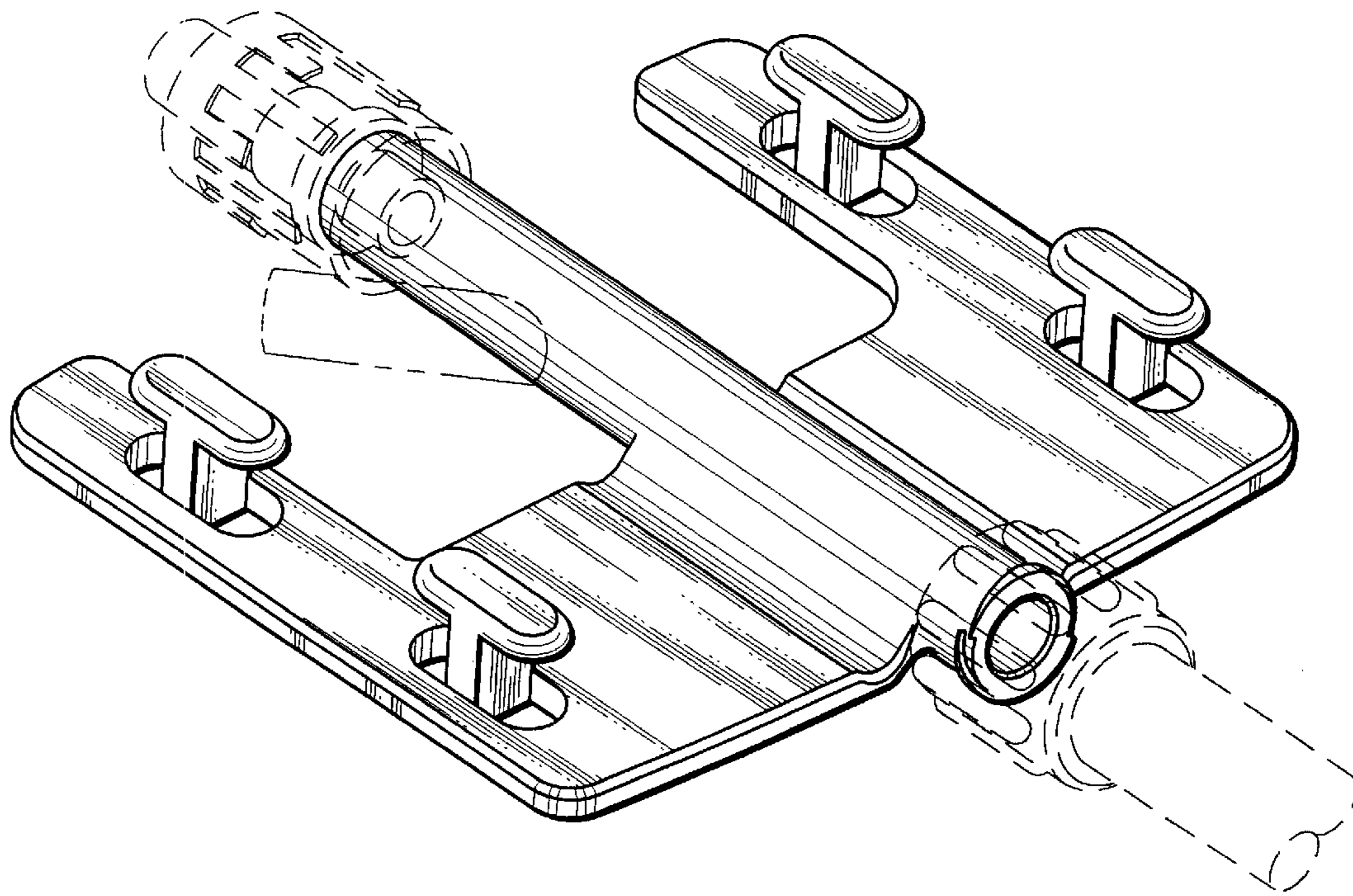


Fig. 1

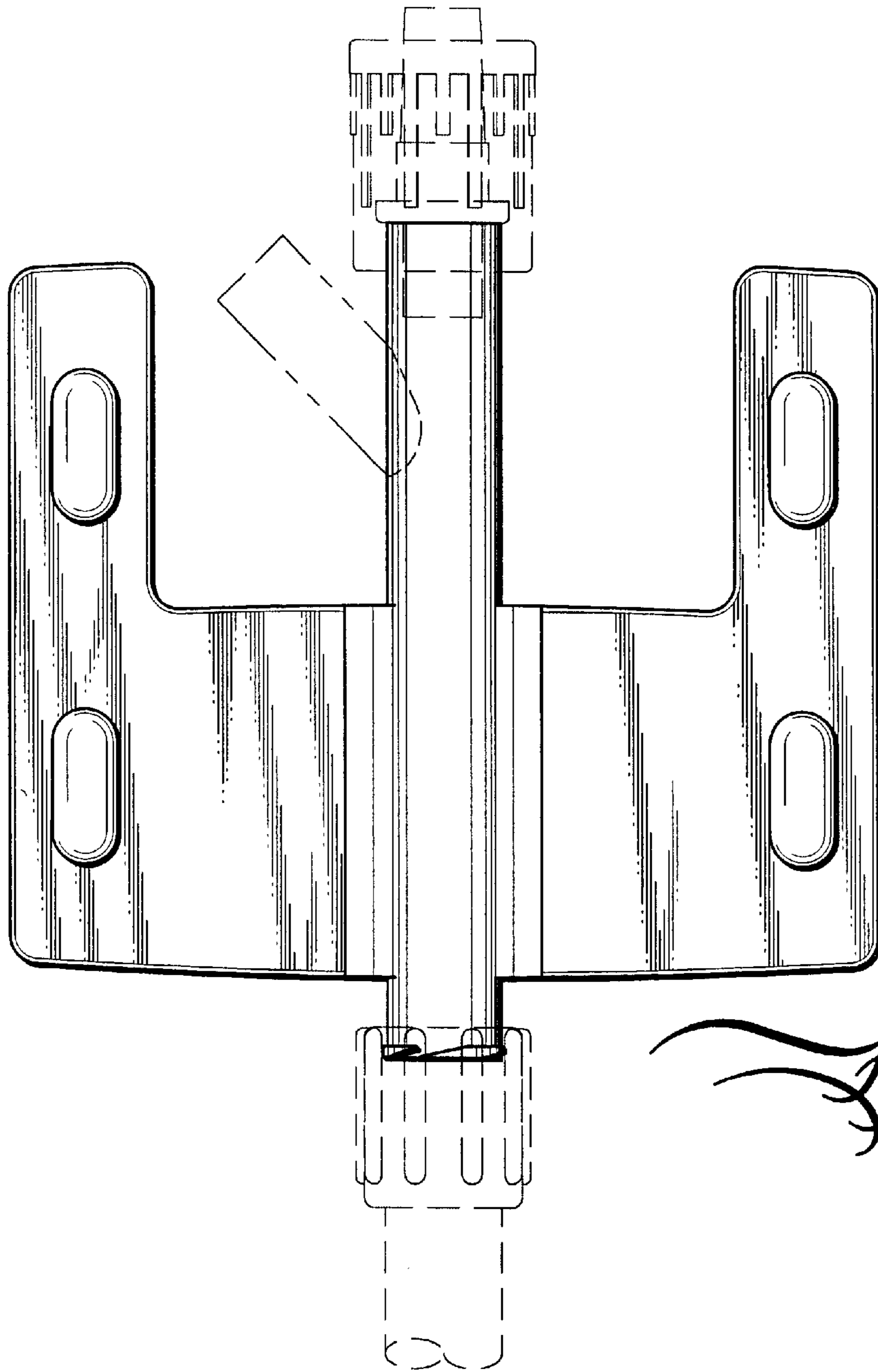


Fig. 2

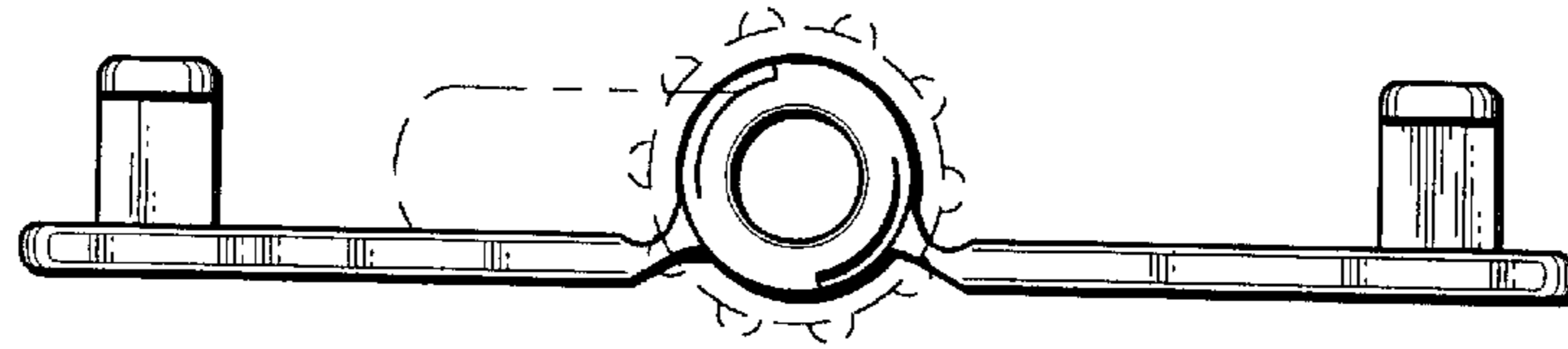


Fig. 3

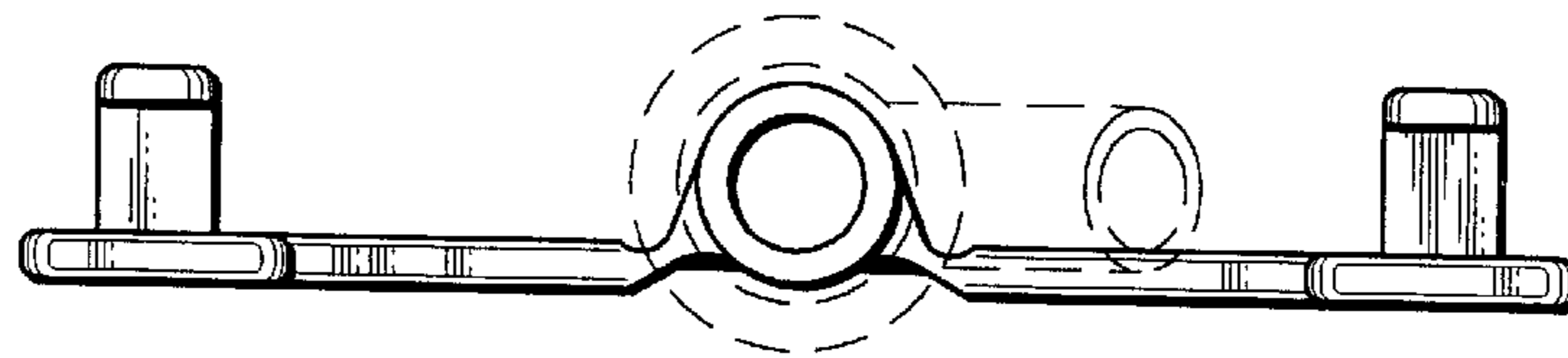


Fig. 4

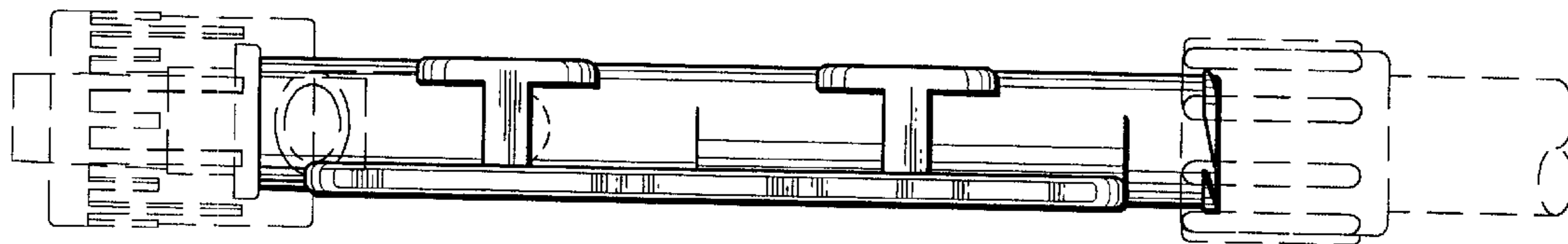


Fig. 5

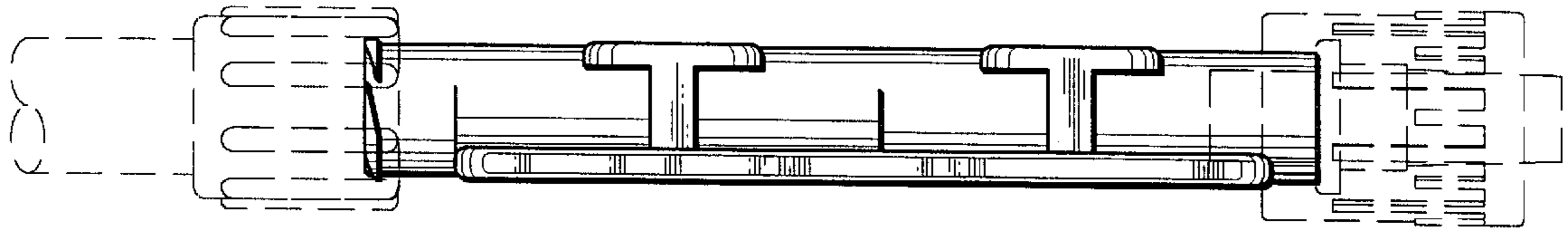


Fig. 6

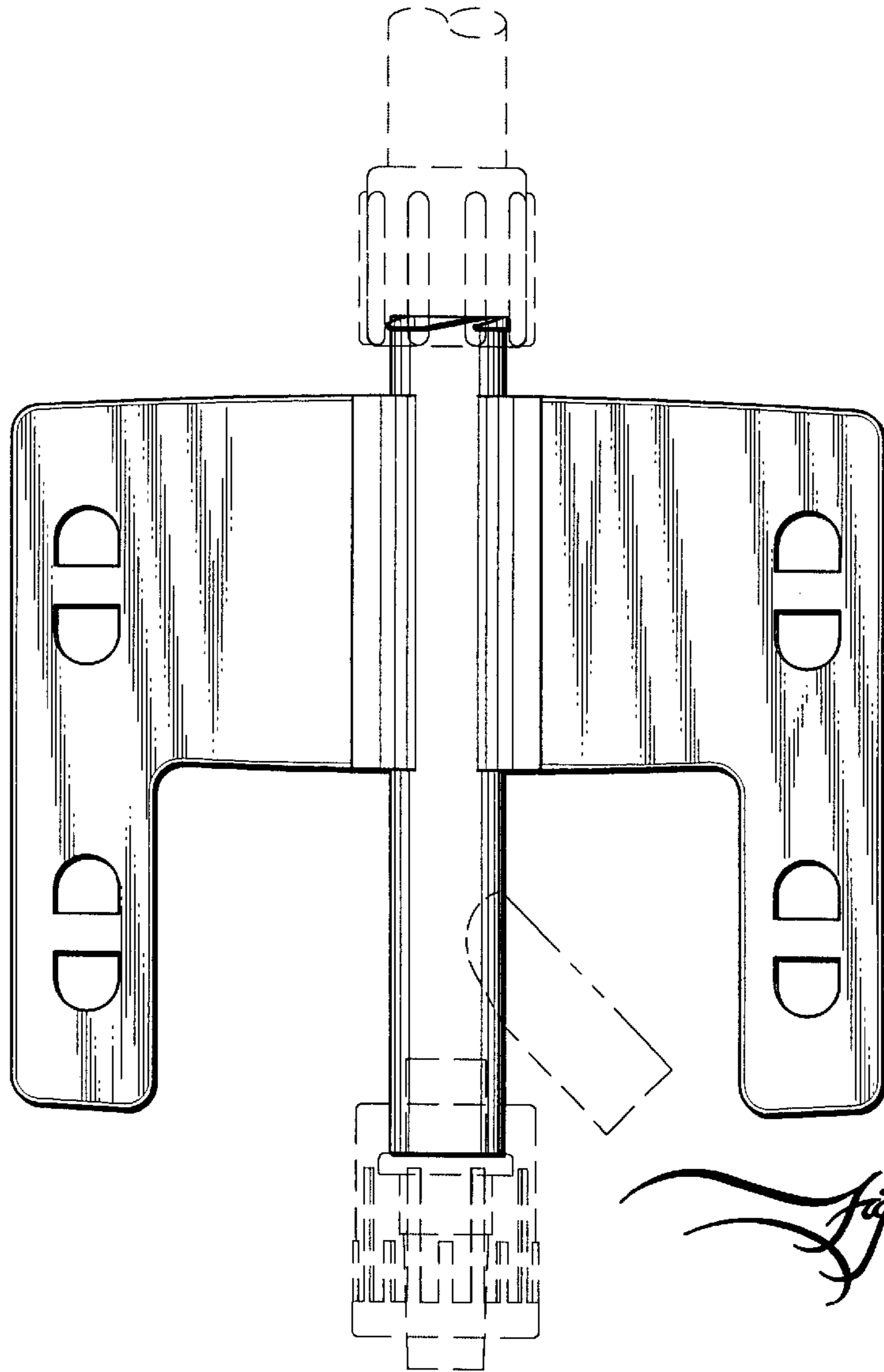


Fig. 7

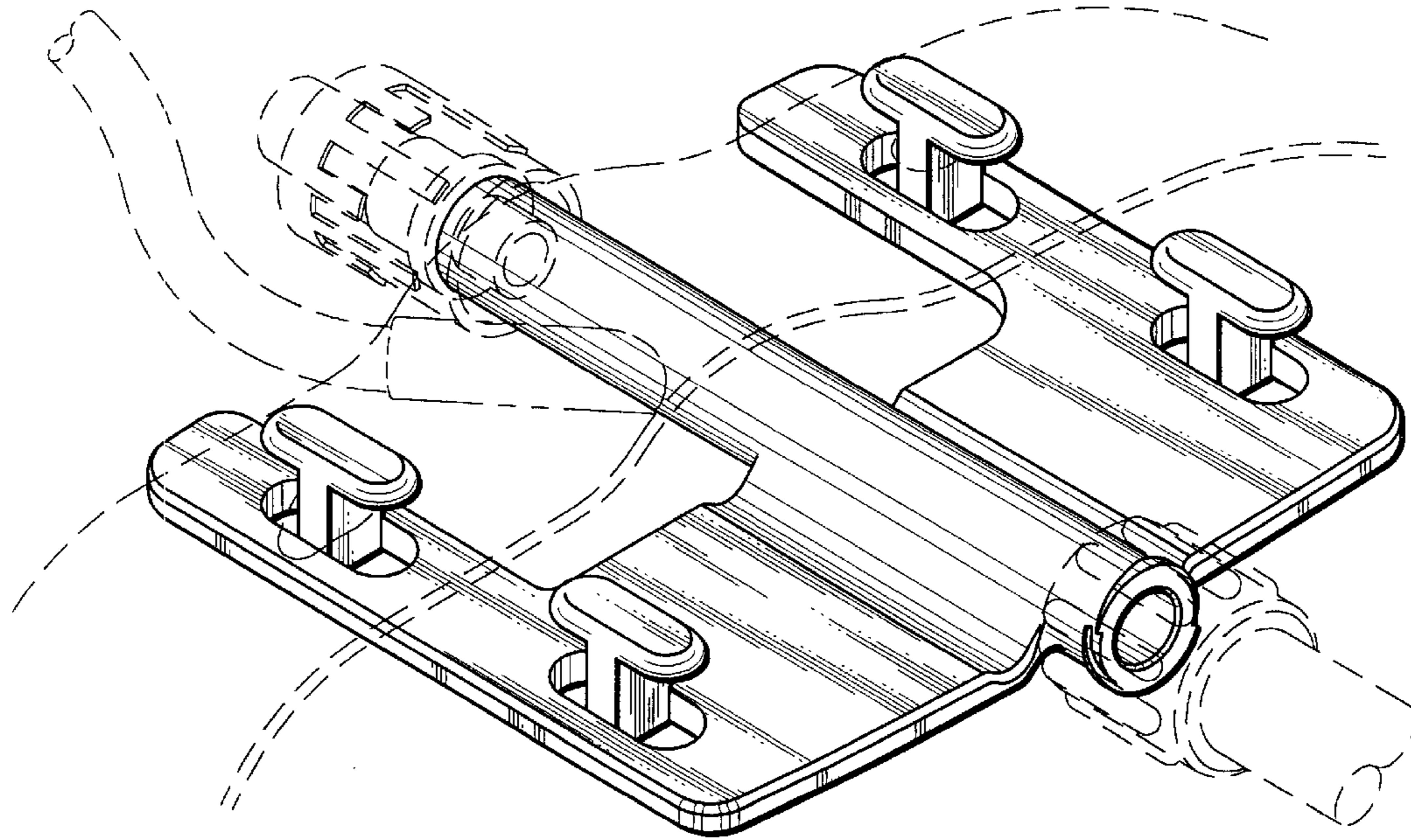


Fig. 8

