

US00D539904S

(12) **United States Design Patent**
Inoue et al.

(10) **Patent No.:** **US D539,904 S**
(45) **Date of Patent:** **** Apr. 3, 2007**

(54) **INFUSION SOLUTION BAG**

(75) Inventors: **Fujio Inoue**, Naruto (JP); **Isamu Tateishi**, Naruto (JP); **Akihito Togawa**, Tokushima (JP); **Tatsuro Tsuruoka**, Tokushima (JP)

(73) Assignee: **Otsuka Pharmaceutical Factory, Inc.**, Naruto-shi, Tokushima (JP)

(**) Term: **14 Years**

(21) Appl. No.: **29/260,676**

(22) Filed: **May 30, 2006**

(30) **Foreign Application Priority Data**

Nov. 30, 2005 (JP) 2005-035314

(51) **LOC (8) Cl.** **24-04**

(52) **U.S. Cl.** **D24/118**

(58) **Field of Classification Search** D24/118,
D24/127, 108, 128, 111; 604/317, 327, 408,
604/403, 108, 339; 128/DIG. 24; 383/22,
383/23

See application file for complete search history.

(56) **References Cited**

U.S. PATENT DOCUMENTS

- 4,735,613 A * 4/1988 Bellin et al. 604/118
- 4,834,743 A * 5/1989 Valerio 604/403
- D321,758 S * 11/1991 Colella D24/127
- 5,087,251 A * 2/1992 Heyman et al. 604/327
- D324,566 S * 3/1992 Schmidt et al. D24/118
- D395,136 S * 6/1998 Ropiak et al. D24/118
- D400,245 S * 10/1998 Niedospial et al. D24/118
- D400,253 S * 10/1998 Niedospial et al. D24/118
- D407,816 S * 4/1999 Barney et al. D24/118
- 5,941,866 A * 8/1999 Niedospial, Jr. 604/408

- 6,156,025 A * 12/2000 Niedospial et al. 604/408
- 6,287,289 B1 * 9/2001 Niedospial, Jr. 604/408
- D453,831 S * 2/2002 English D24/130
- 6,613,036 B1 * 9/2003 Farmer et al. 604/408
- 2006/0189957 A1 * 8/2006 Howlett 604/403
- 2006/0217679 A1 * 9/2006 Hanly et al. 604/403

* cited by examiner

Primary Examiner—Louis Zarfaz

Assistant Examiner—David Muller

(74) *Attorney, Agent, or Firm*—Osha Liang LLP

(57) **CLAIM**

The ornamental design for an infusion solution bag, as shown and described.

DESCRIPTION

FIG. 1 is a perspective view of the design according to the invention.

FIG. 2 is a front view of the design according to the invention.

FIG. 3 is a right side view of the design according to the invention.

FIG. 4 is a top view of the design according to the invention. FIG. 5 is a bottom view of the design according to the invention.

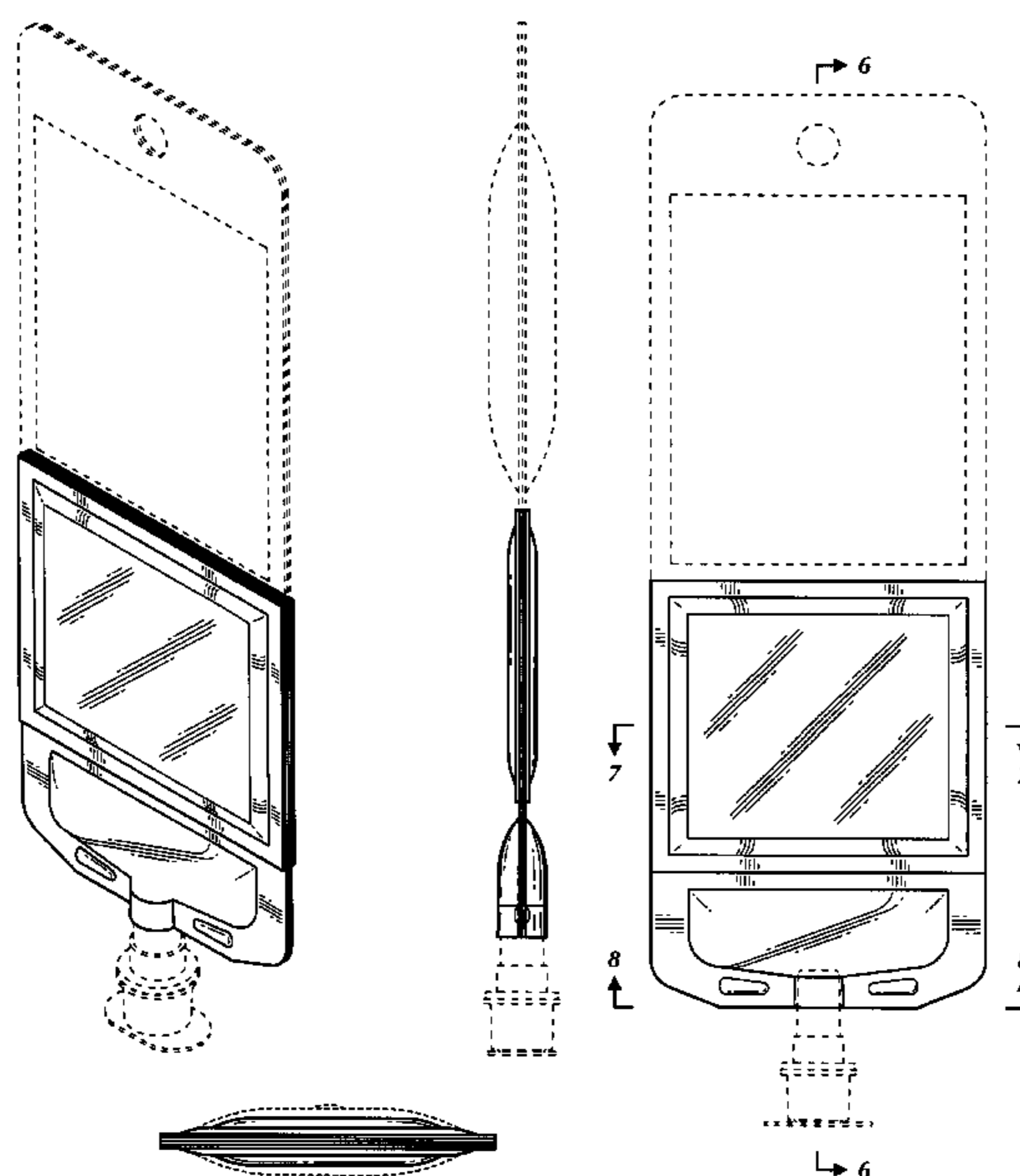
FIG. 6 is a cross-sectional view of the design taken along Line 6—6 as shown in FIG. 2.

FIG. 7 is a cross-sectional view of the design taken along line 7—7 as shown in FIG. 2.

FIG. 8 is a cross-sectional view of the design taken along line 8—8 as shown in FIG. 2; and,

FIG. 9 is an enlarged view of the central portion of FIG. 6. The broken line showing of the surrounding bag and valve is included for the purpose of illustrating use and environment and forms no part of the claimed design.

1 Claim, 4 Drawing Sheets



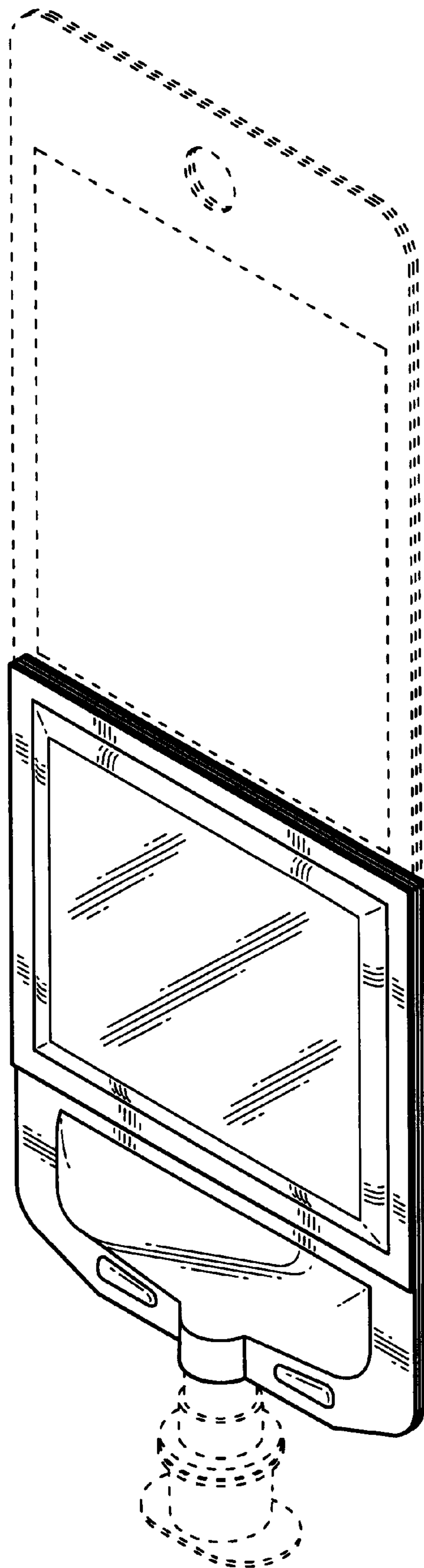


FIG. 1

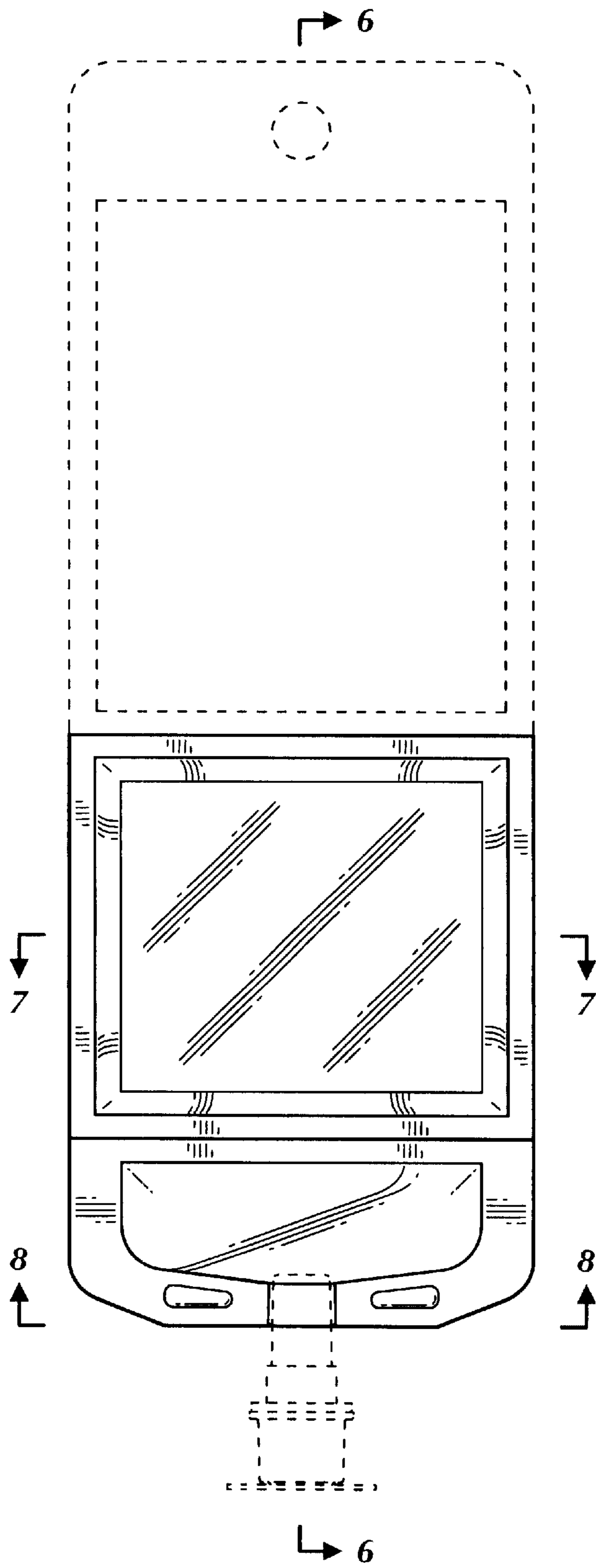


FIG. 2

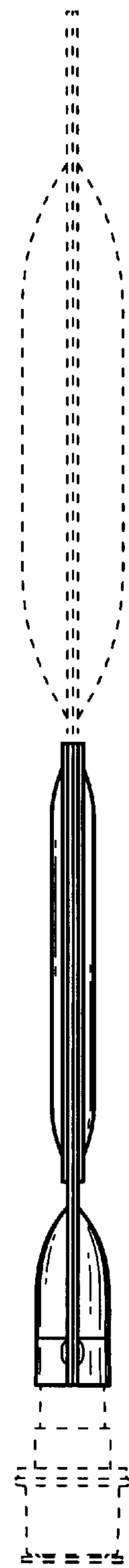


FIG. 3

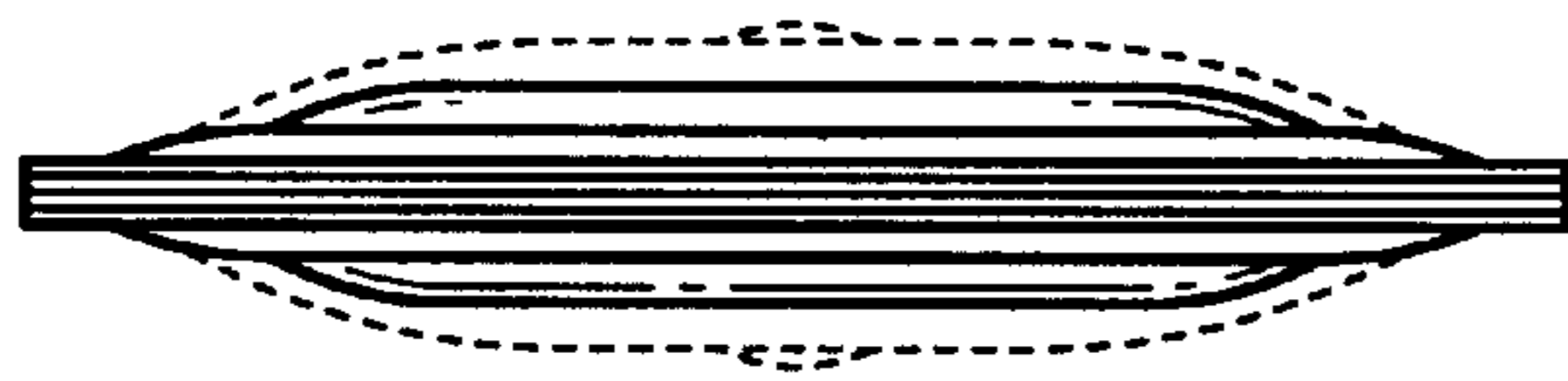


FIG. 4

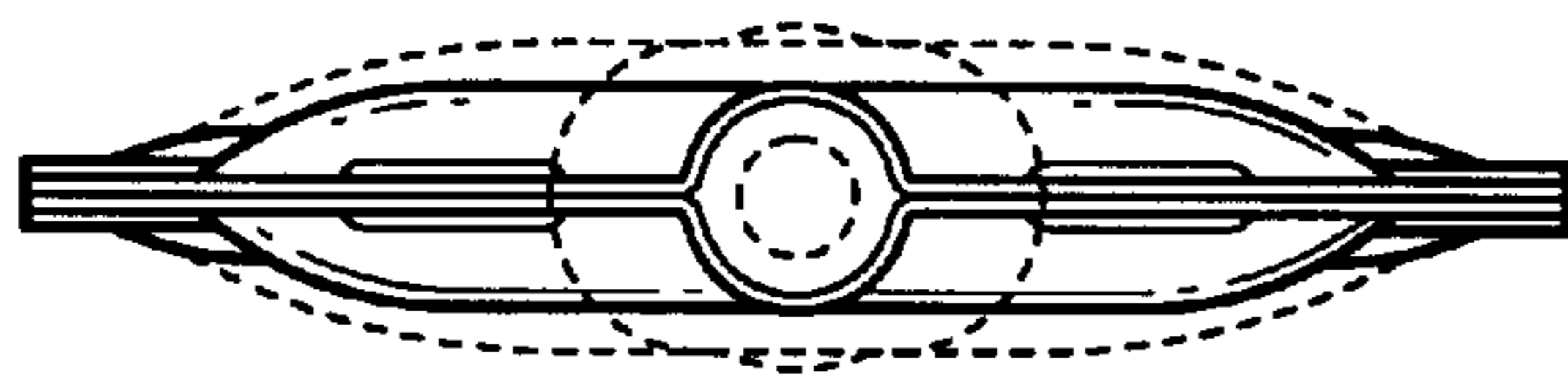


FIG. 5

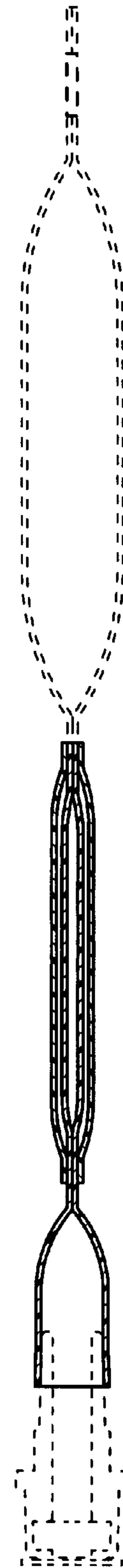


FIG. 6



FIG. 7

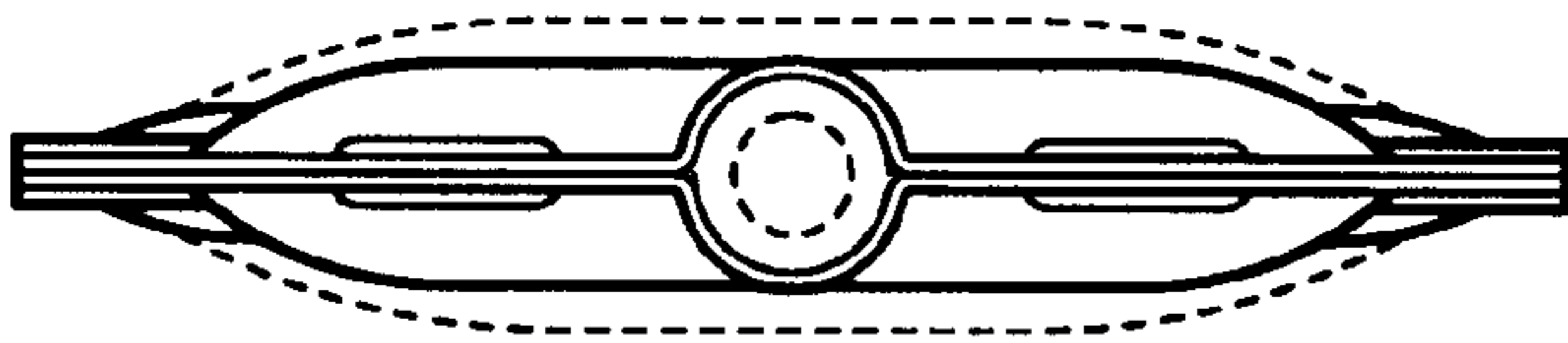


FIG. 8

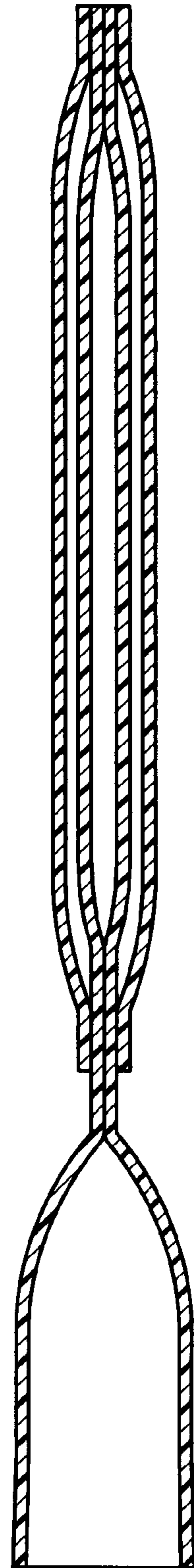


FIG. 9