

US00D539903S

(12) **United States Design Patent**
Strong

(10) **Patent No.:** **US D539,903 S**

(45) **Date of Patent:** **** Apr. 3, 2007**

(54) **DISPOSABLE VIALS**

(75) Inventor: **Bernard Strong**, Tarzana, CA (US)

(73) Assignee: **Discount RX, Inc.**, Clearwater, FL (US)

(**) Term: **14 Years**

(21) Appl. No.: **29/255,088**

(22) Filed: **Mar. 3, 2006**

Related U.S. Application Data

(62) Division of application No. 29/171,337, filed on Nov. 20, 2002, now Pat. No. Des. 518,891.

(51) **LOC (8) Cl.** **24-02**

(52) **U.S. Cl.** **D24/112**

(58) **Field of Classification Search** D24/115, D24/117; D9/695-696, 442; 206/528, 530, 206/532, 820; 222/153.06, 153.07, 456, 206, 222/213, 215, 107, 143, 92, 94, 97, 129; 53/467, 477; 264/525

See application file for complete search history.

(56) **References Cited**

U.S. PATENT DOCUMENTS

3,917,120 A	11/1975	Larenz et al.	
3,968,880 A	7/1976	Ostrowsky	
4,098,430 A	7/1978	Mattheis et al.	
4,133,449 A	1/1979	Ostrowsky	
4,502,616 A	3/1985	Meierhoefer	
D282,348 S	* 1/1986	Federighi D9/442
D296,869 S	* 7/1988	Bauwens D9/696
D309,097 S	7/1990	Price	
D330,160 S	10/1992	Umekawa	
D345,211 S	3/1994	Bologna D24/141

D362,390 S	9/1995	Weiler
5,529,195 A	6/1996	Valyi
5,874,141 A	2/1999	Matsui
6,101,791 A	8/2000	Louviere
6,116,449 A	9/2000	Chiesi et al.
6,234,333 B1	5/2001	Federighi et al.
D447,560 S	9/2001	Hellberg et al.
6,357,626 B1	3/2002	Zhang et al.
D456,507 S	4/2002	LeMarr et al.
D458,366 S	6/2002	Hellberg et al.
D460,175 S	7/2002	Louviere
6,426,035 B1	7/2002	Hansen
D471,628 S	3/2003	Louviere
D489,820 S	5/2004	Masuda et al.
6,735,926 B1	5/2004	Louviere
D492,028 S	6/2004	Masuda et al.
D492,406 S	6/2004	Masuda et al.
D492,407 S	6/2004	Masuda et al.

* cited by examiner

Primary Examiner—Louis Zarfaz
Assistant Examiner—David Muller
(74) *Attorney, Agent, or Firm*—Cantor Colburn LLP

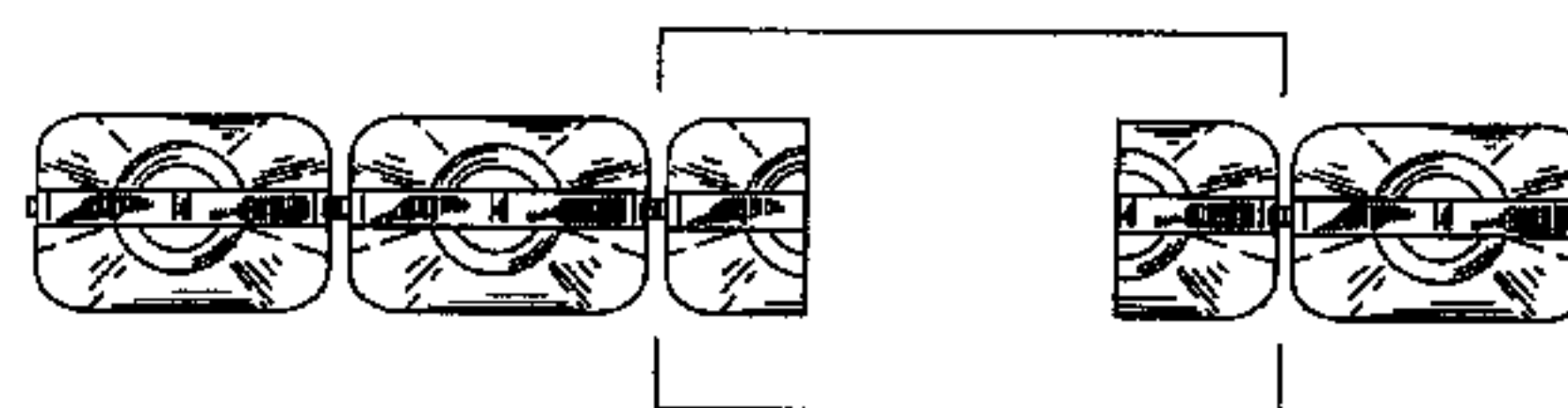
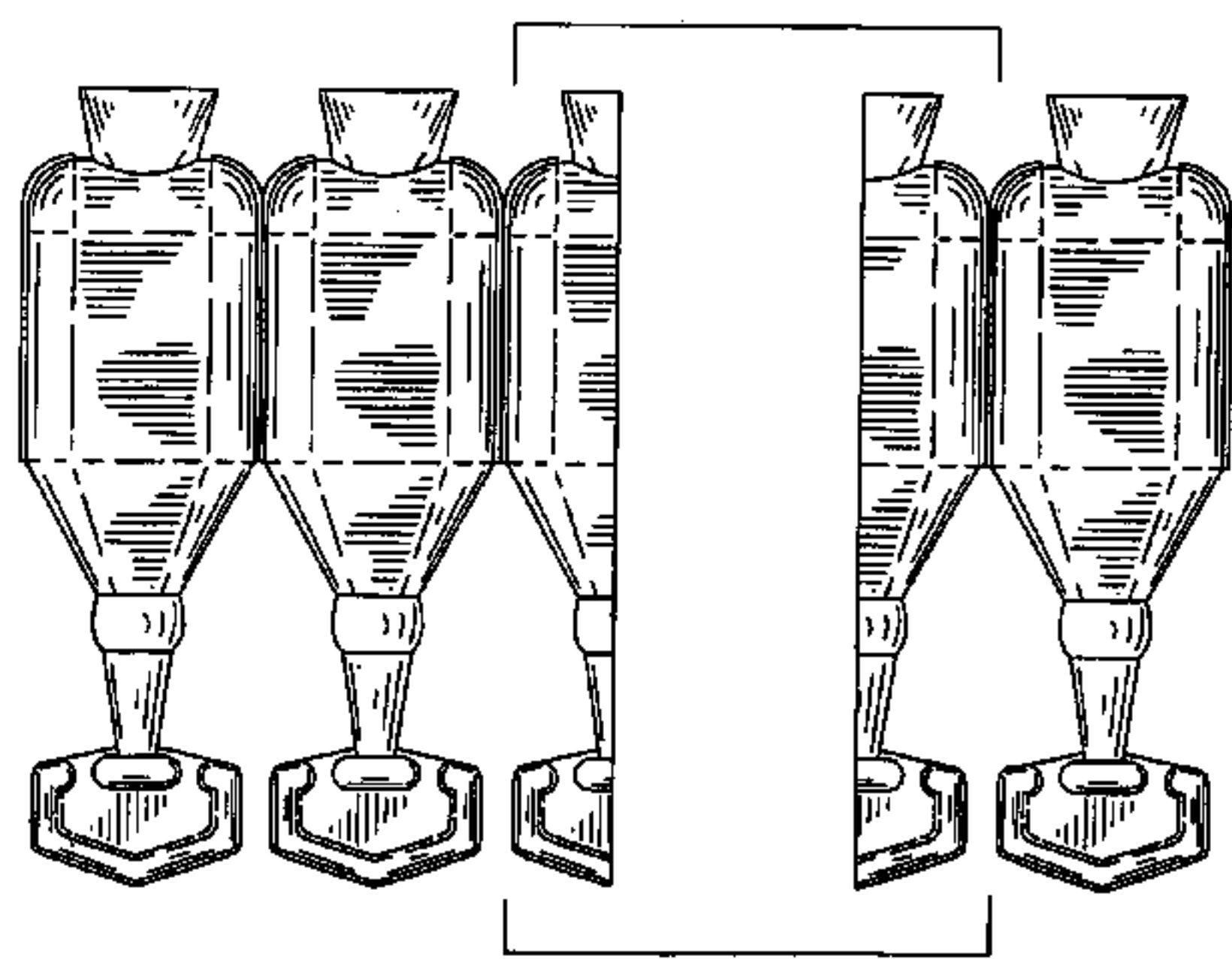
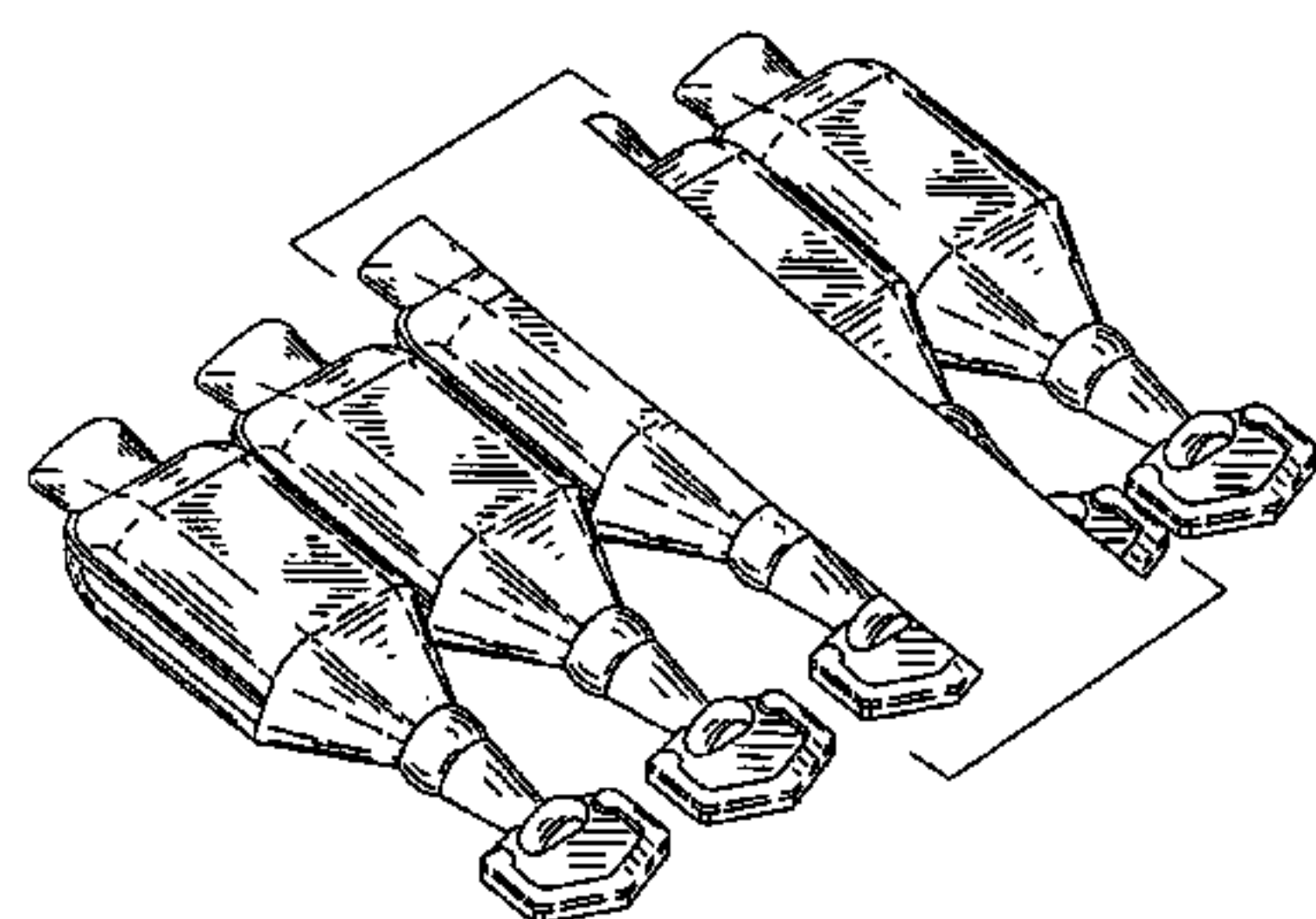
(57) **CLAIM**

The ornamental design for disposable vials, as shown and described.

DESCRIPTION

FIG. 1 is a perspective view showing my disposable vials; FIG. 2 is a top plan view thereof, the opposite bottom plan view being a mirror image thereof; FIG. 3 is a side elevation view thereof taken from the left of FIG. 2, the opposite side elevation view being a mirror image thereof; and, FIG. 4 is a front elevation view thereof.

1 Claim, 2 Drawing Sheets



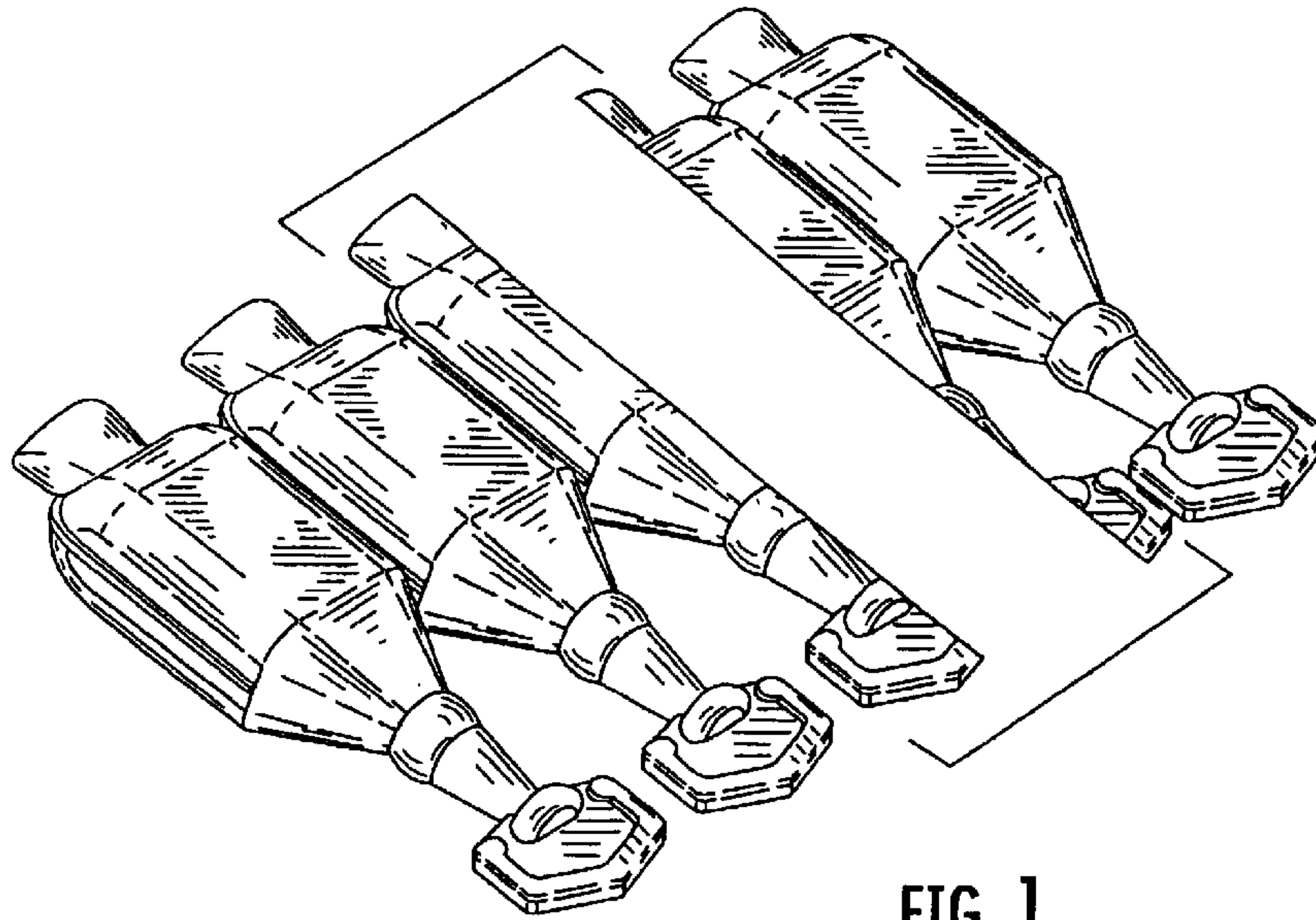


FIG. 1

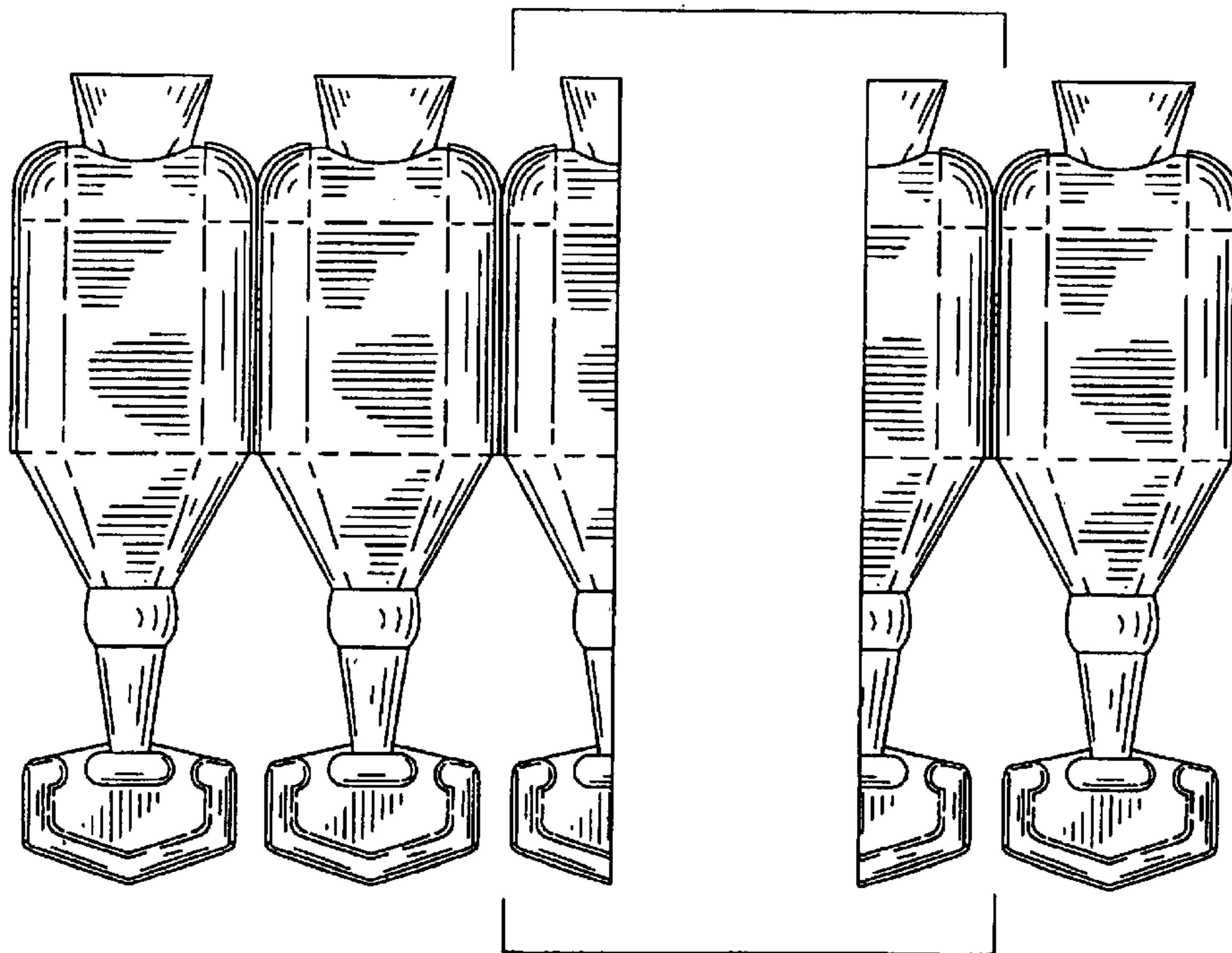


FIG. 2

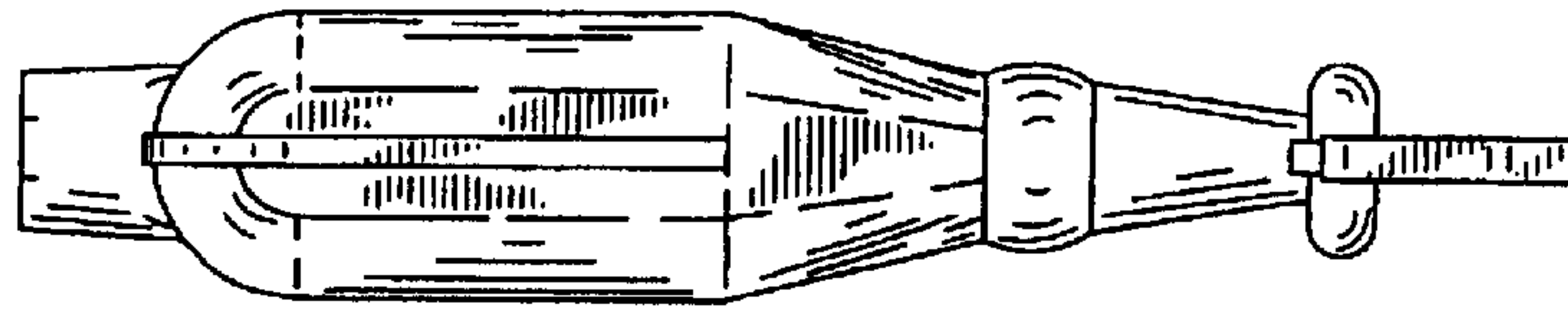


FIG. 3

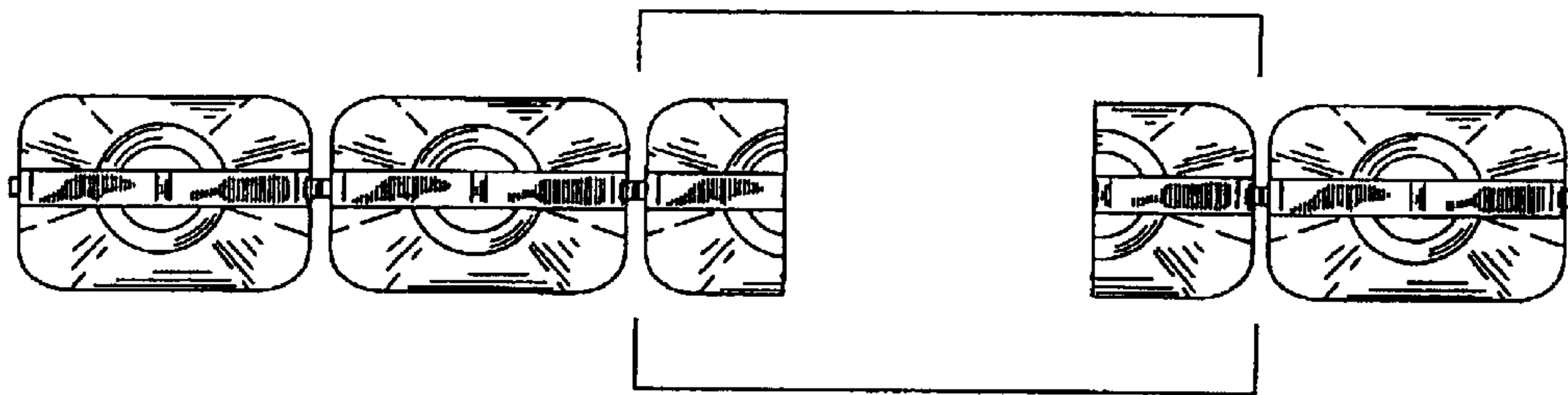


FIG. 4