



US00D539899S

(12) **United States Design Patent**
Kataoka

(10) **Patent No.:** **US D539,899 S**

(45) **Date of Patent:** **** Apr. 3, 2007**

(54) **BLOOD RECOVERY UNIT**

(75) Inventor: **Yutaka Kataoka**, Lindome (SE)

(73) Assignee: **Astra Tech AB**, Molndal (SE)

(**) Term: **14 Years**

(21) Appl. No.: **29/227,499**

(22) Filed: **Apr. 13, 2005**

(30) **Foreign Application Priority Data**

Oct. 14, 2004 (EM) 000239454

(51) **LOC (8) Cl.** **24-01**

(52) **U.S. Cl.** **D24/108; D24/169**

(58) **Field of Classification Search** D24/108,
D24/121, 167, 169, 111; 12/DIG. 24; 604/543,
604/411, 317, 4.01, 5.01, 323, 319, 408, 406,
604/6.01, 6.15

See application file for complete search history.

(56) **References Cited**

U.S. PATENT DOCUMENTS

- 4,033,345 A 7/1977 Sorenson et al.
- 4,664,682 A * 5/1987 Monzen 604/406
- 5,024,613 A * 6/1991 Vasconcellos et al. 604/319
- 5,192,439 A * 3/1993 Roth et al. 604/319

- D367,110 S * 2/1996 Cotter D24/108
- 5,634,893 A 6/1997 Rishton
- D387,157 S * 12/1997 Cotter D24/108

FOREIGN PATENT DOCUMENTS

WO WO-03/066136 A1 8/2003

* cited by examiner

Primary Examiner—Ian Simmons

Assistant Examiner—W. Laymon

(74) *Attorney, Agent, or Firm*—Birch, Stewart, Kolasch & Birch, LLP

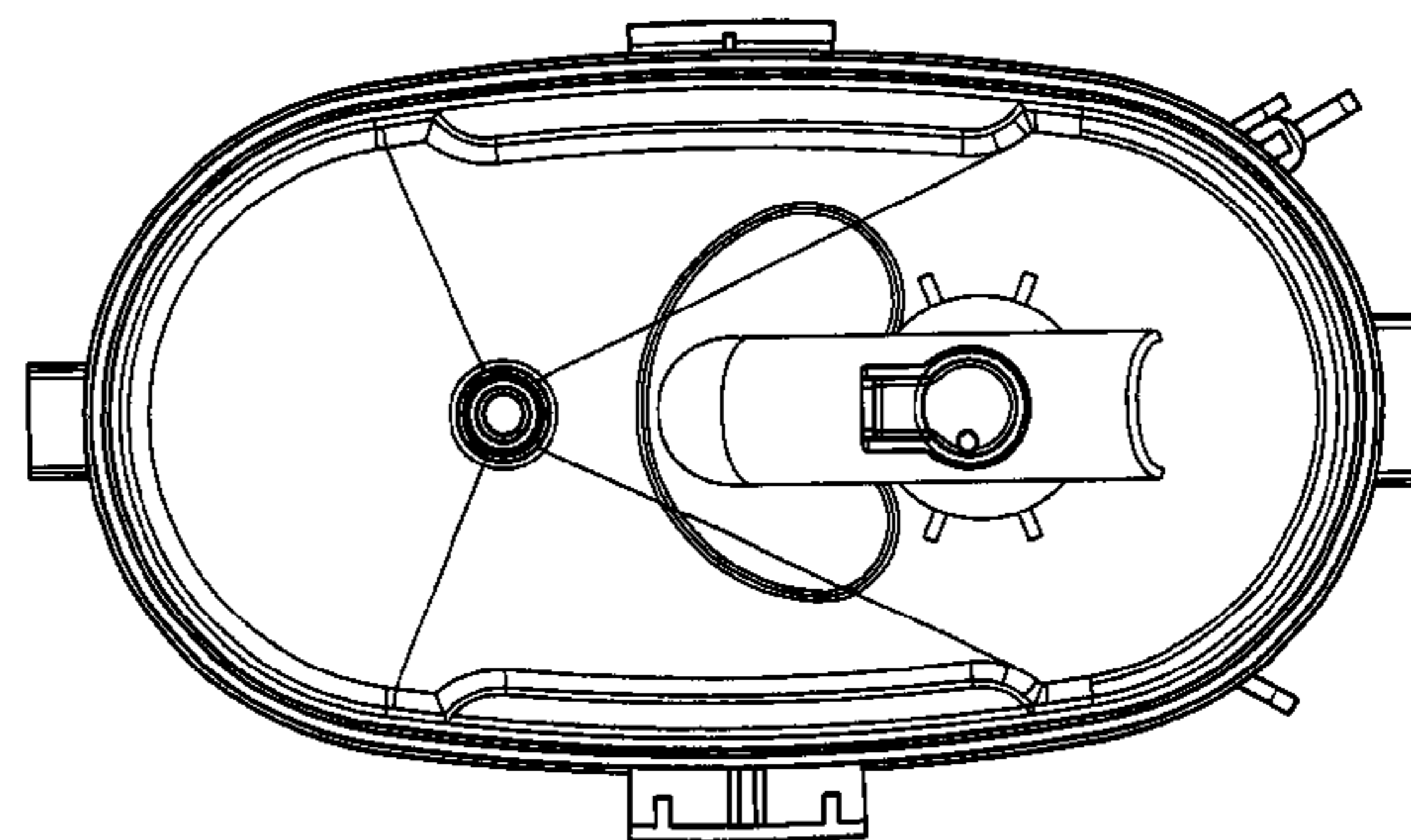
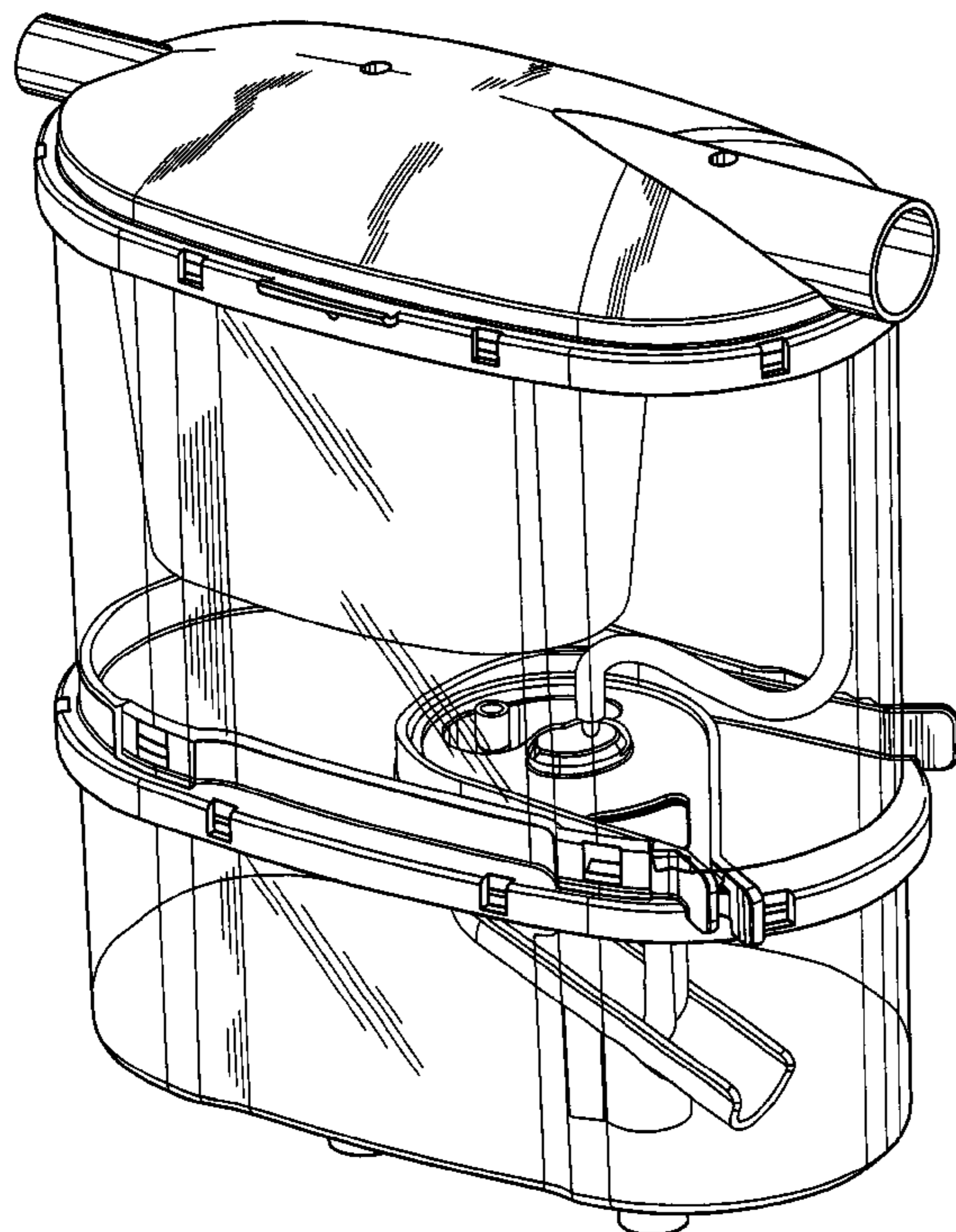
(57) **CLAIM**

The ornamental design for a blood recovery unit, as shown and described.

DESCRIPTION

FIG. 1 is a perspective view of a blood recovery unit showing my new design;
 FIG. 2 is a front elevational view thereof;
 FIG. 3 is a top plan view thereof;
 FIG. 4 is a bottom plan view thereof;
 FIG. 5 is a rear elevational view thereof;
 FIG. 6 is a left side elevational view thereof; and,
 FIG. 7 is a right side elevational view thereof.

1 Claim, 4 Drawing Sheets



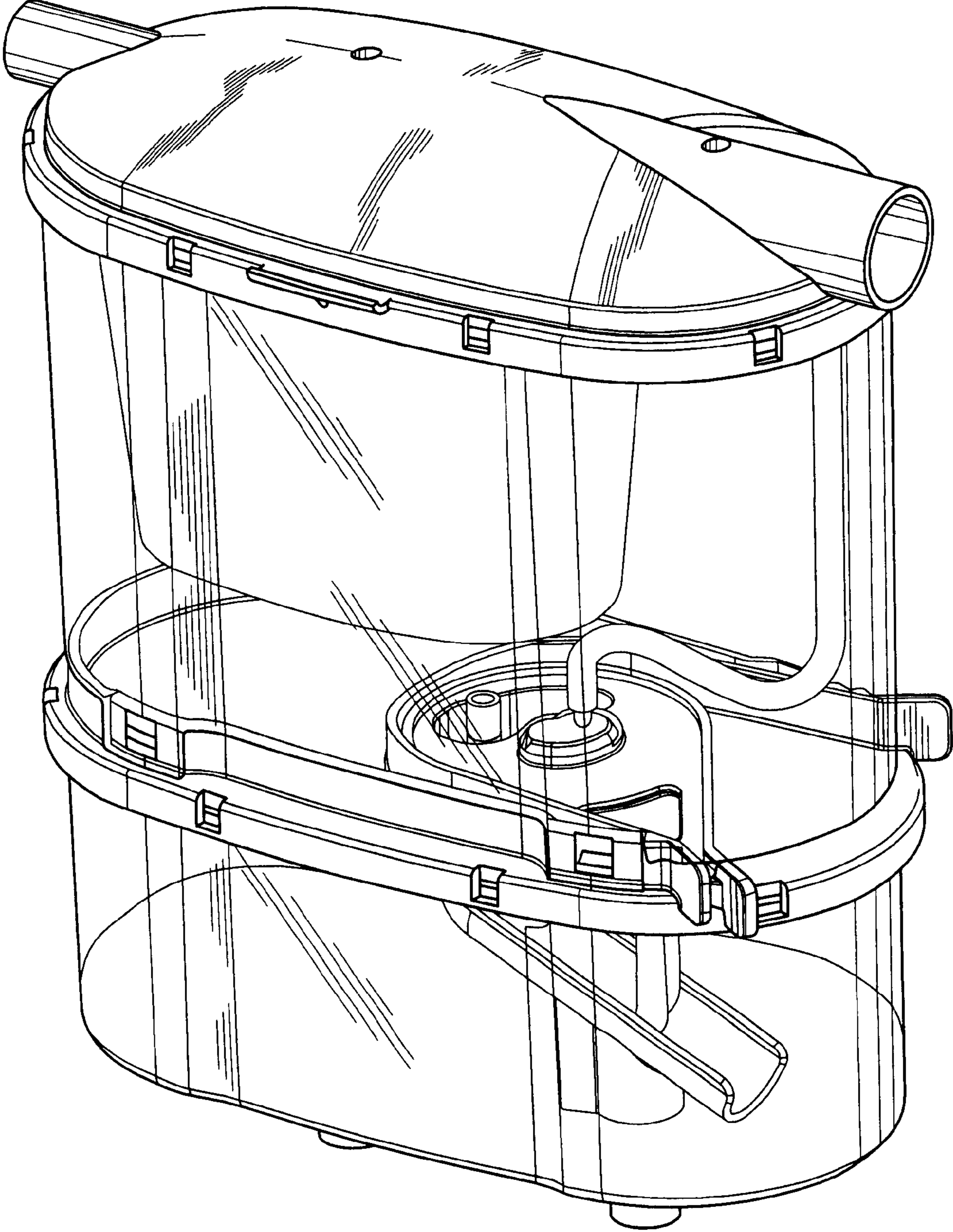


Fig. 1

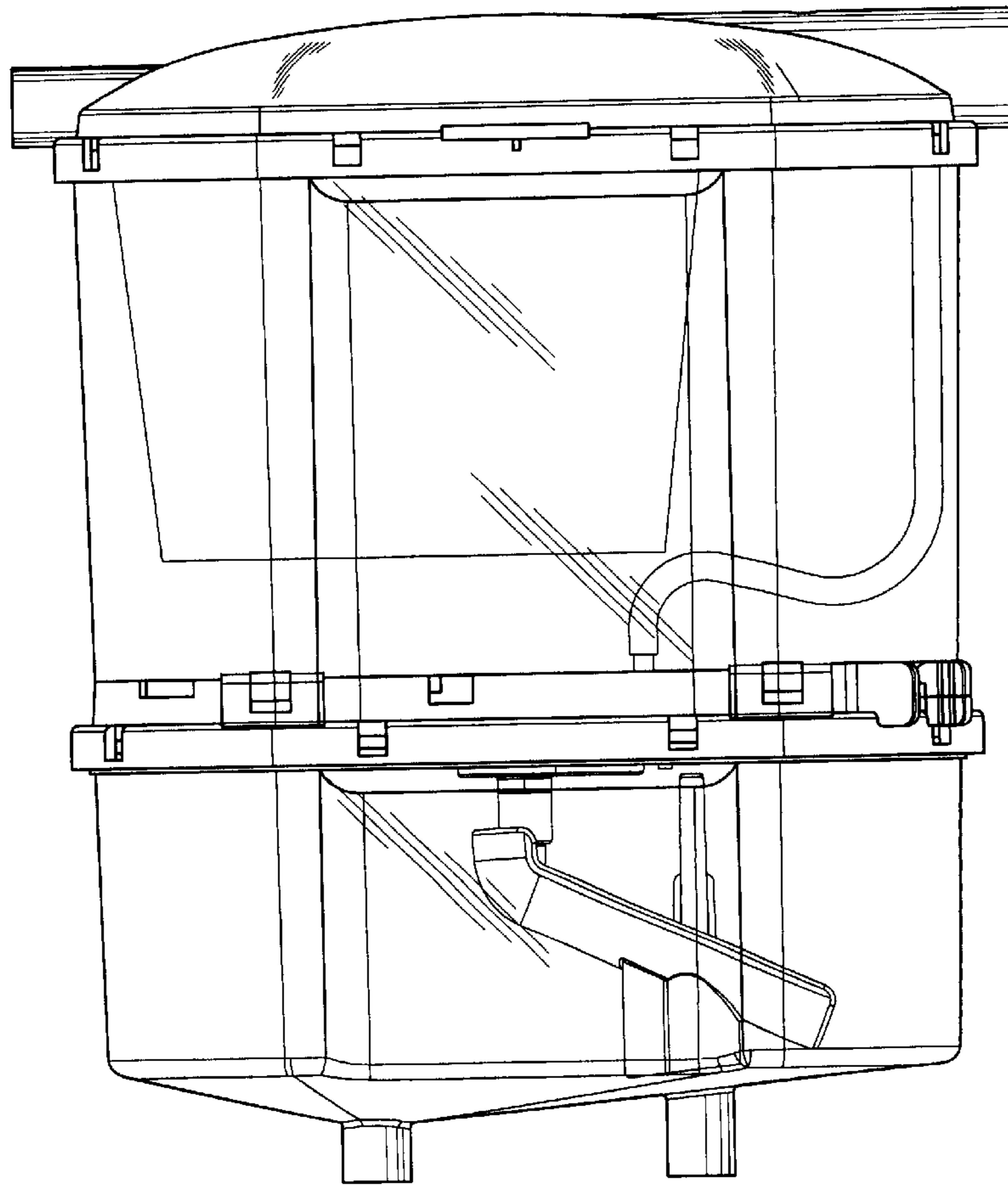


Fig. 2

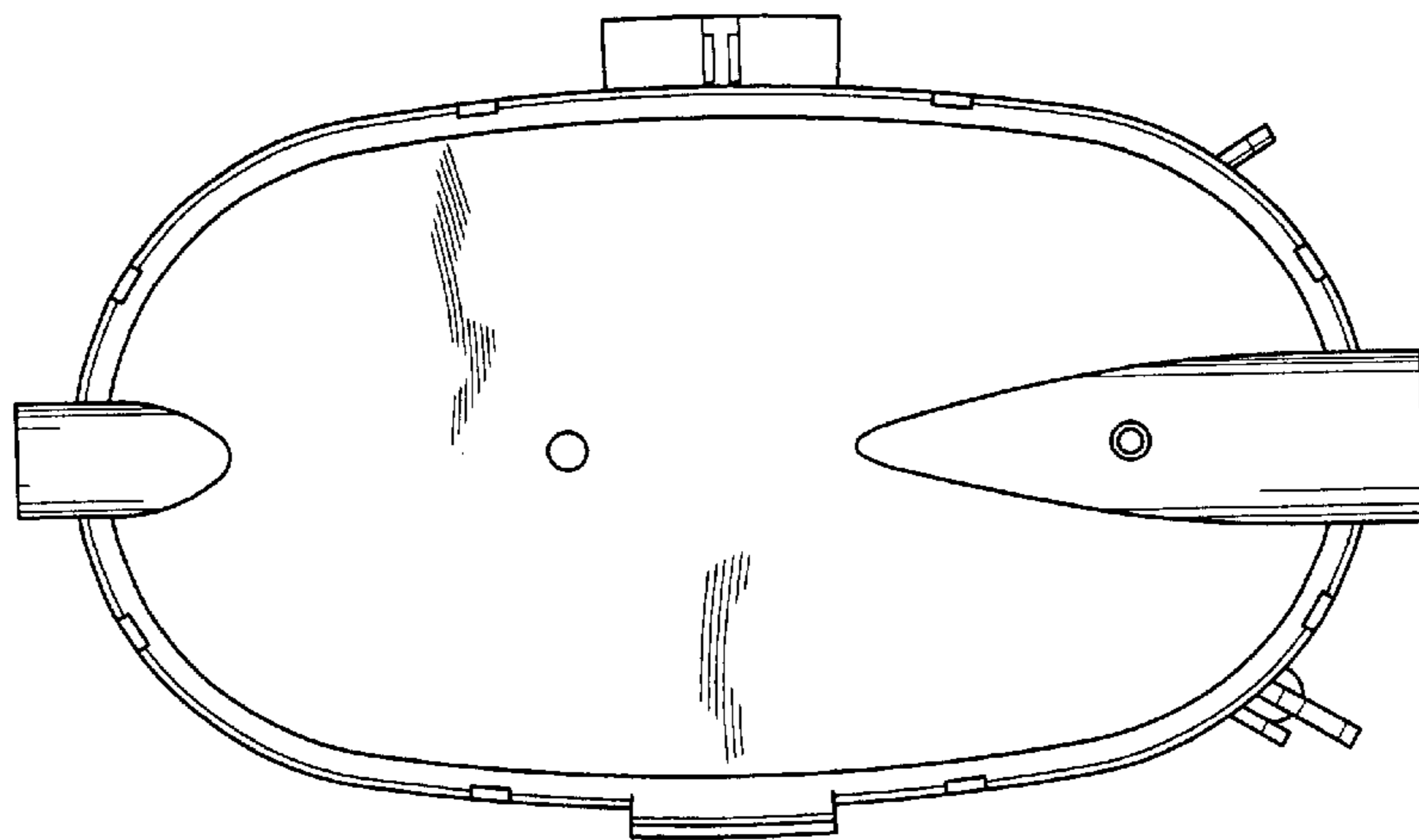


Fig. 3

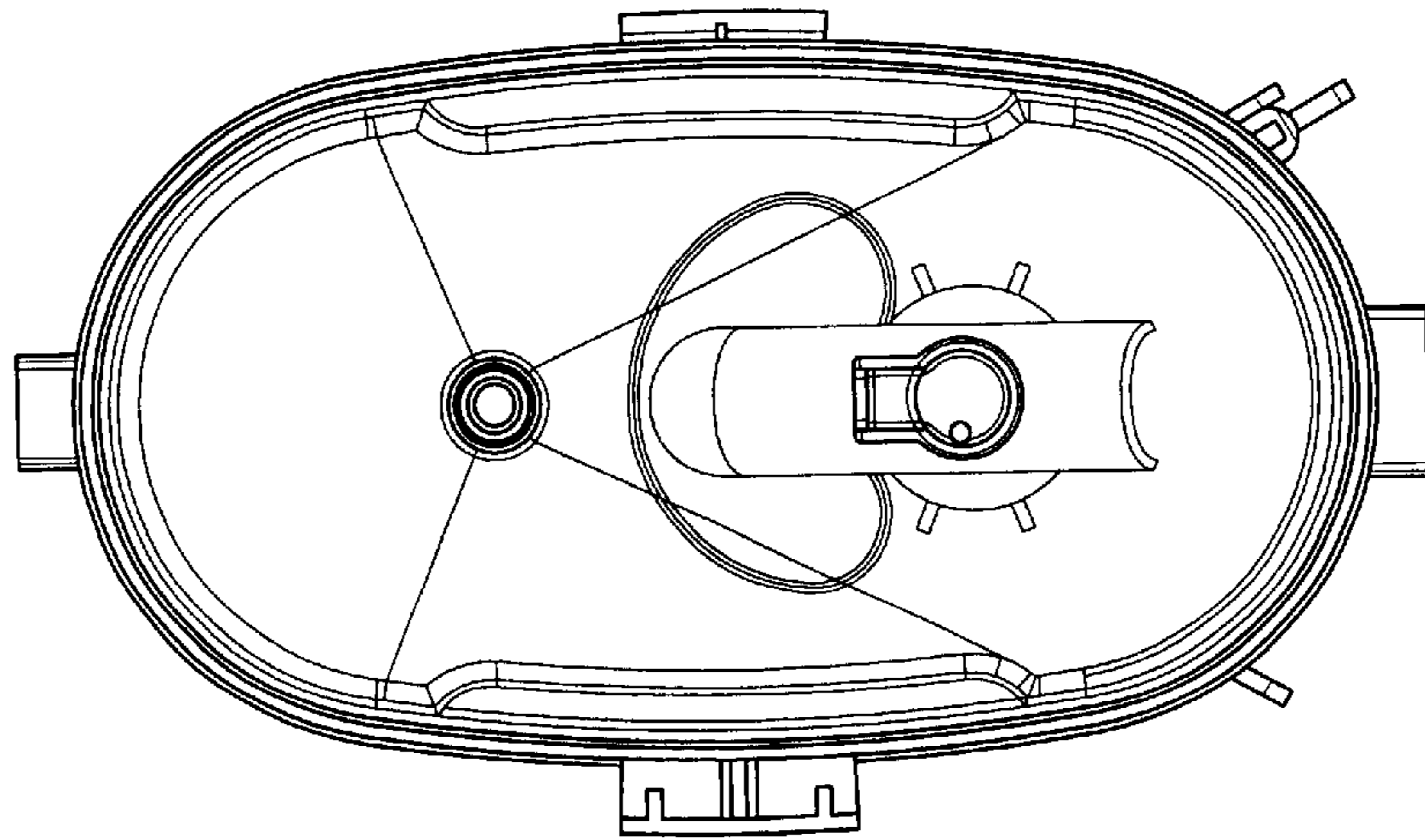


Fig. 4

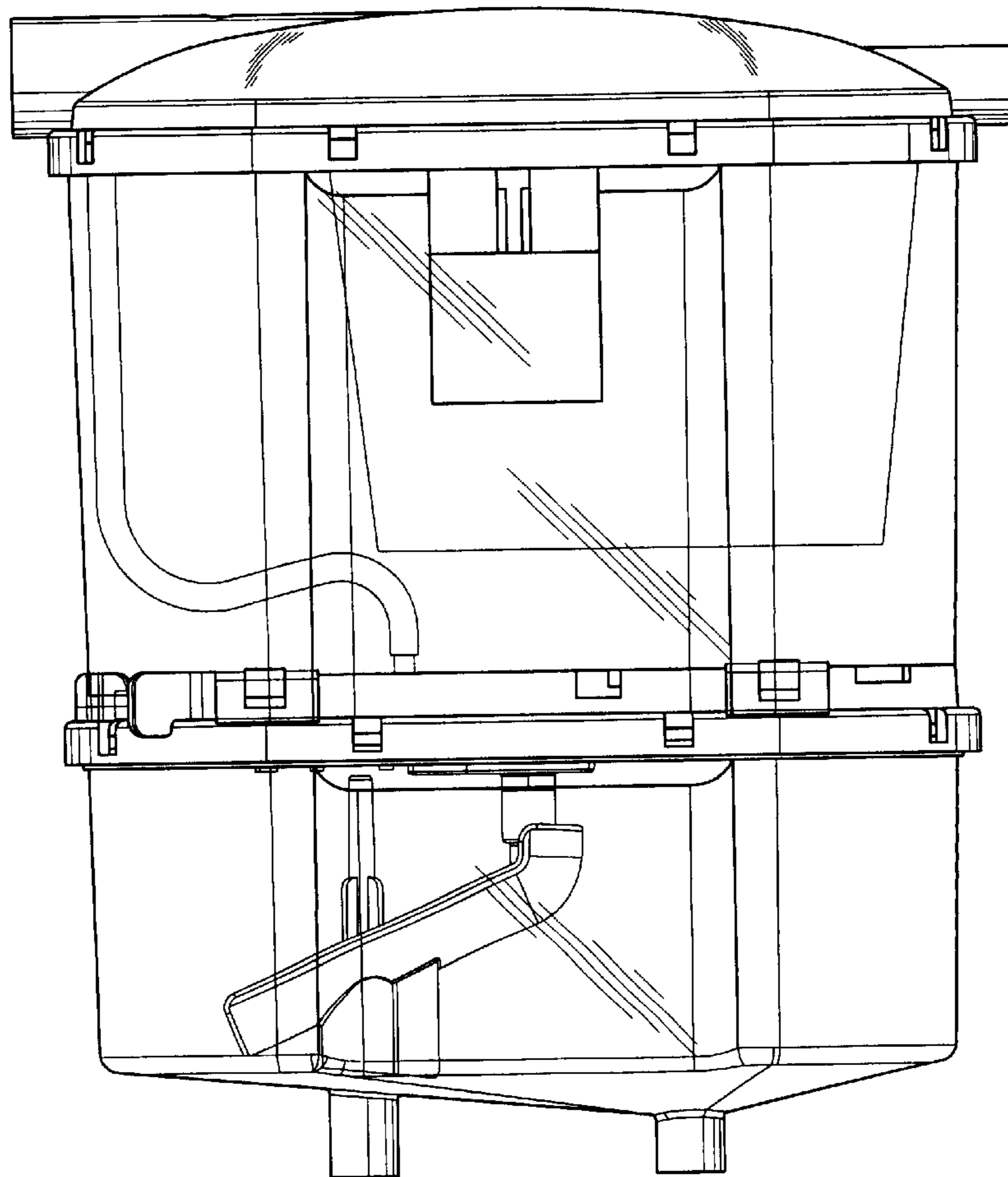


Fig. 5

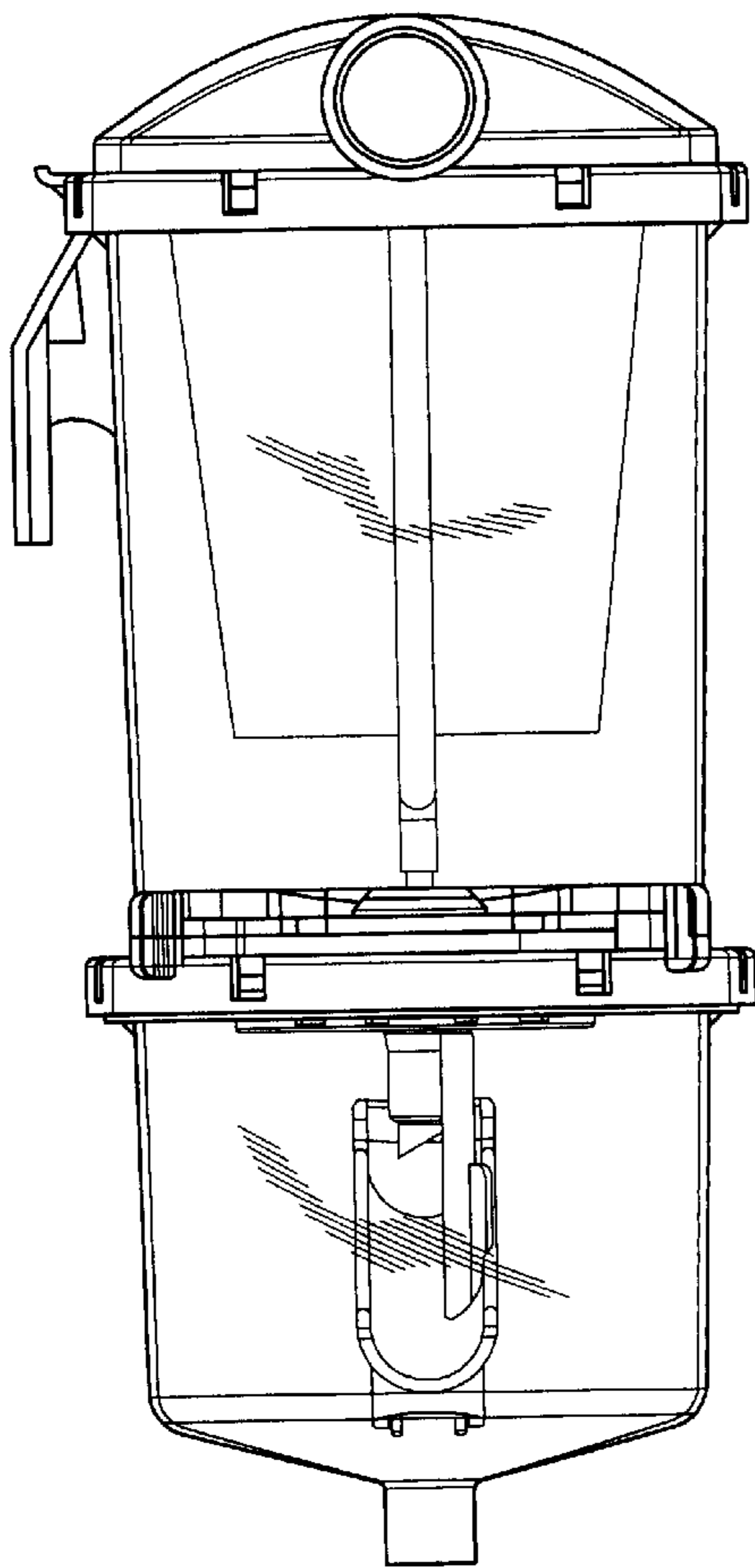


Fig. 7

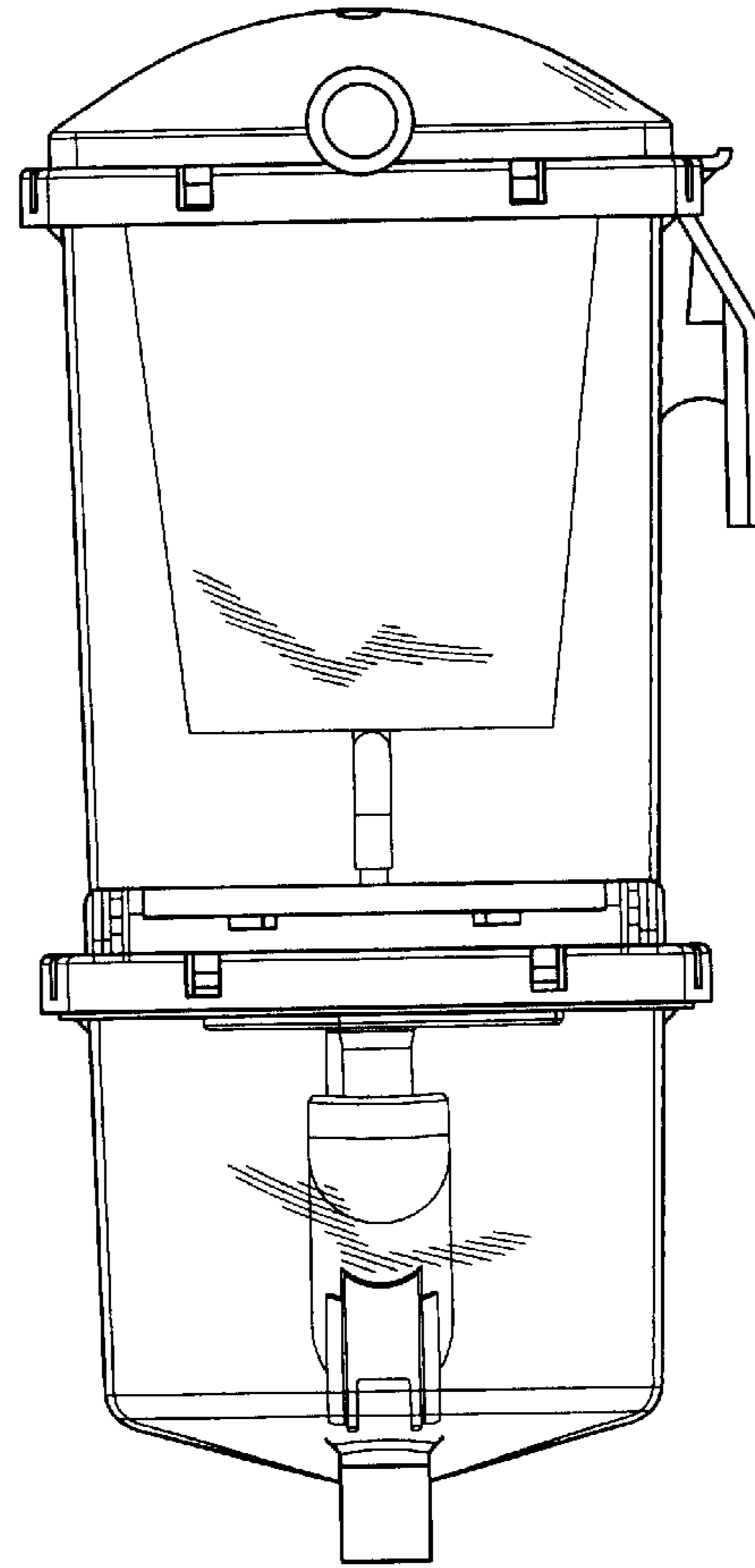


Fig. 6