

US00D539898S

(12) **United States Design Patent** (10) **Patent No.:** **US D539,898 S**
Schmitz et al. (45) **Date of Patent:** **** Apr. 3, 2007**

(54) **ASPIRATOR SIDE BRACKET**

(75) Inventors: **Alan M. Schmitz**, New Holstein, WI (US); **Mark E. O'Connell**, Cedar Grove, WI (US)

(73) Assignee: **Gardner Denver, Inc.**, Quincy, IL (US)

(**) Term: **14 Years**

(21) Appl. No.: **29/211,863**

(22) Filed: **Aug. 23, 2004**

(51) **LOC (8) Cl.** **24-01**

(52) **U.S. Cl.** **D24/108; D24/111; D24/128**

(58) **Field of Classification Search** D24/108, D24/111, 128, 127; 604/319, 322, 19, 317; 705/35, 37

See application file for complete search history.

(56) **References Cited**

U.S. PATENT DOCUMENTS

D270,948 S * 10/1983 Say D24/111
D302,728 S * 8/1989 Herbst et al. D24/111
5,662,627 A * 9/1997 Say 604/319
D437,929 S * 2/2001 Leonhard et al. D24/108
2004/0204693 A1 * 10/2004 Anderson et al. 604/319

OTHER PUBLICATIONS

Applicant's Exhibit A.

Applicant's Exhibit B—Contemporary Products, Inc.; "Model 6260 Aspirator"; Advertising Literature.

Applicant's Exhibit C—Sunrise Medical; DeVilbiss® Suction Unit Instruction Guide 7305 Series.

* cited by examiner

Primary Examiner—Ian Simmons

Assistant Examiner—W. Laymon

(74) *Attorney, Agent, or Firm*—Barnes & Thornburg LLP; James B. Conte

(57) **CLAIM**

The ornamental design for an aspirator side bracket, as shown and described.

DESCRIPTION

FIG. 1 is a perspective view showing our new design; FIG. 2 is a front elevation view thereof; FIG. 3 is a left side elevation view thereof; FIG. 4 is a rear elevation view thereof; FIG. 5 is a top plan view thereof; FIG. 6 is a right side elevation view thereof; and, FIG. 7 is a bottom plan view thereof.

The broken line representations of a foundation portion of the pump, jar, valves, tubing, gauges, dials and fittings in FIGS. 1–7 do not limit the claimed design.

The broken line showing of foundation portion of the pump, jar, valves, tubing, gauges, dials and fittings in FIGS. 1–7 are included for the purpose of illustrating and forms no part of the claimed design.

1 Claim, 7 Drawing Sheets

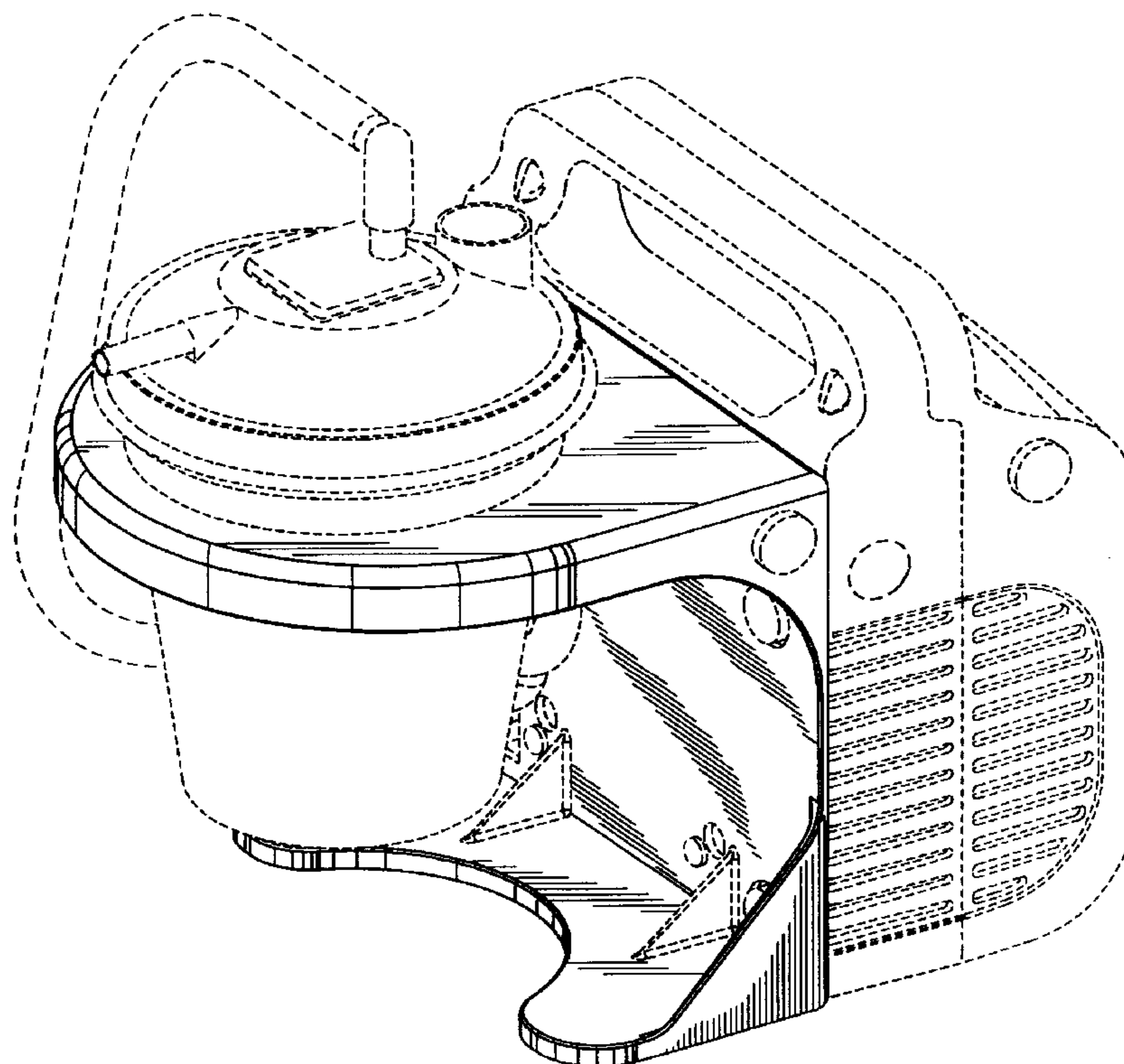
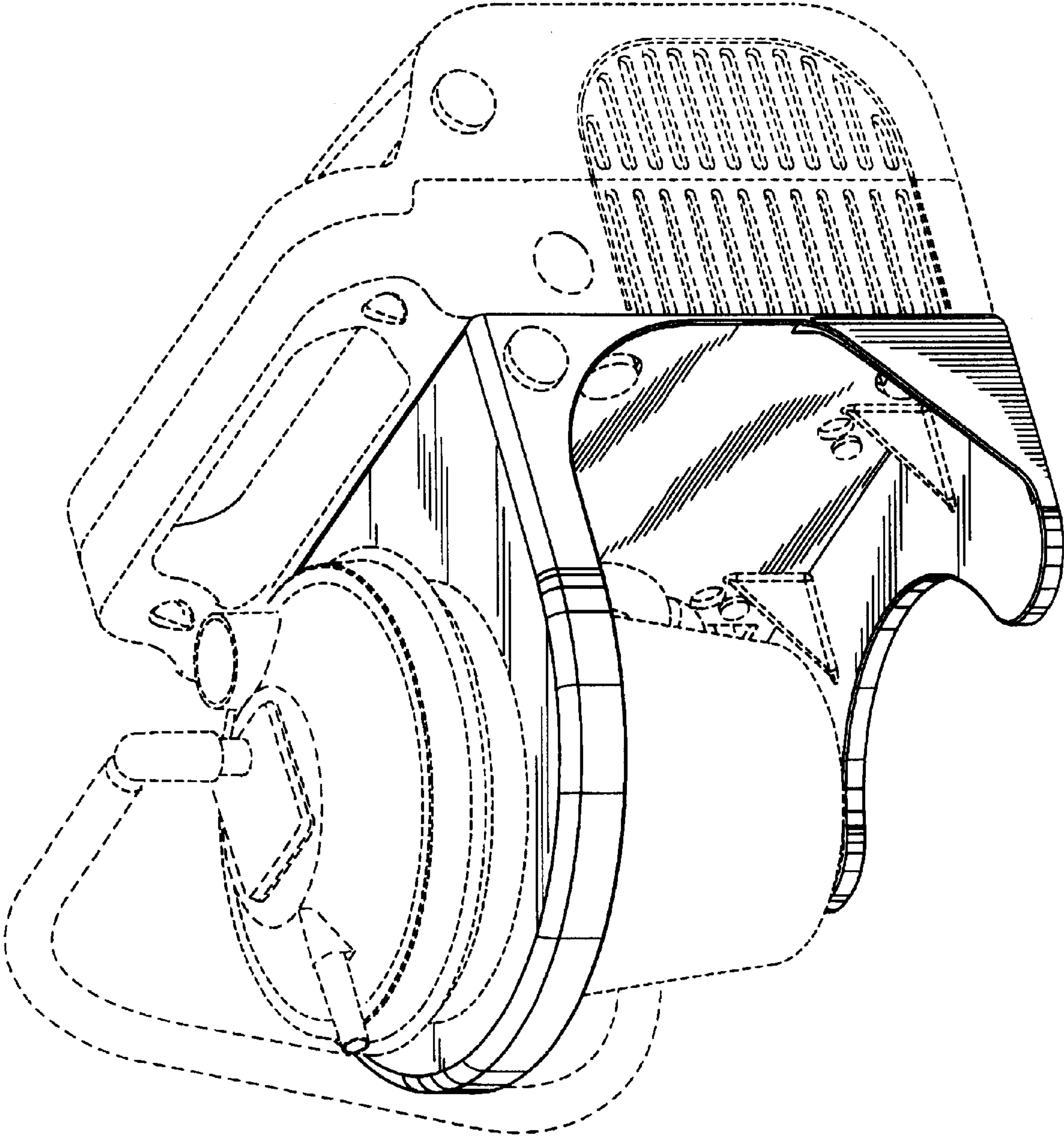


Fig. 1



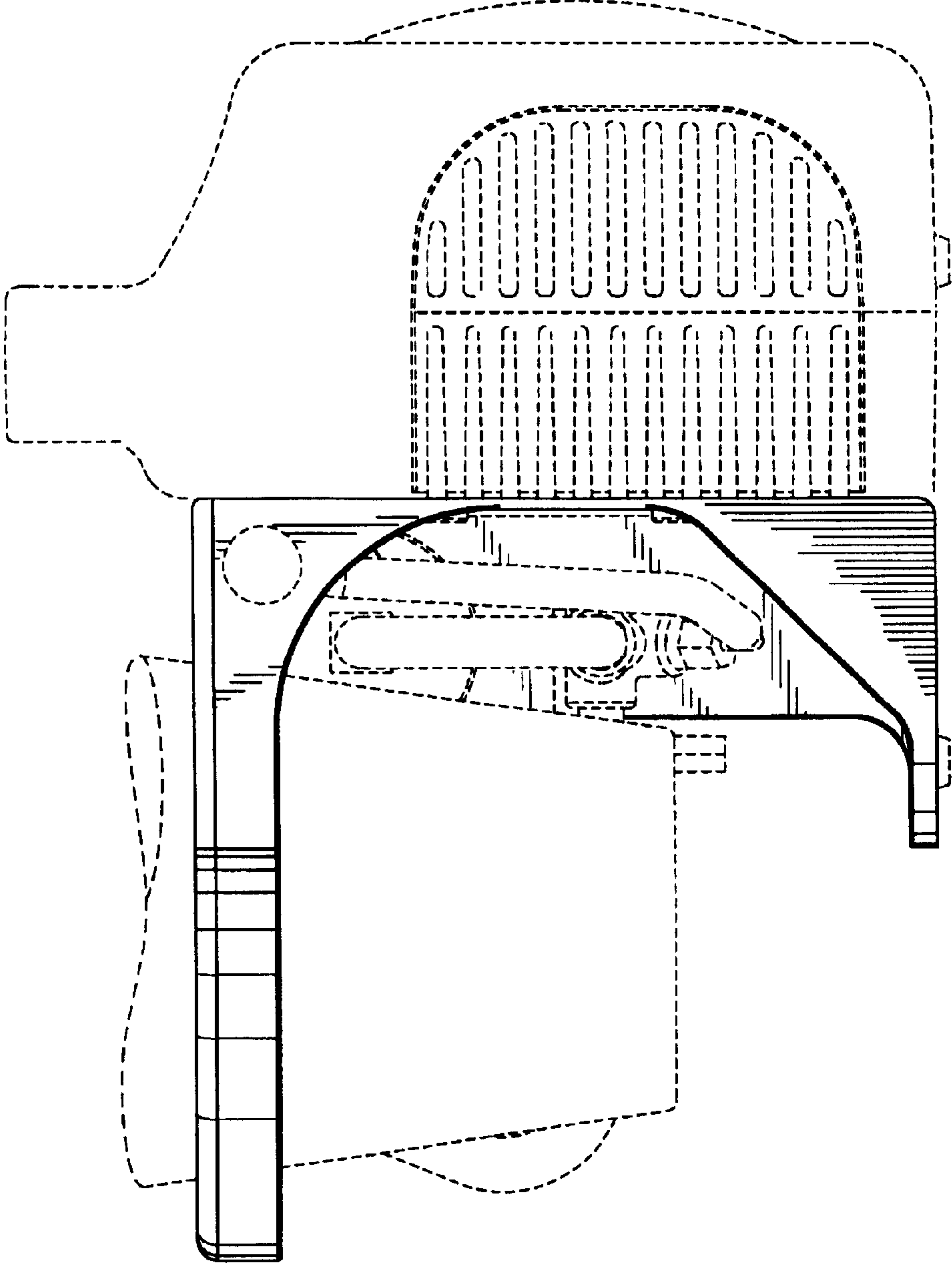


Fig. 2

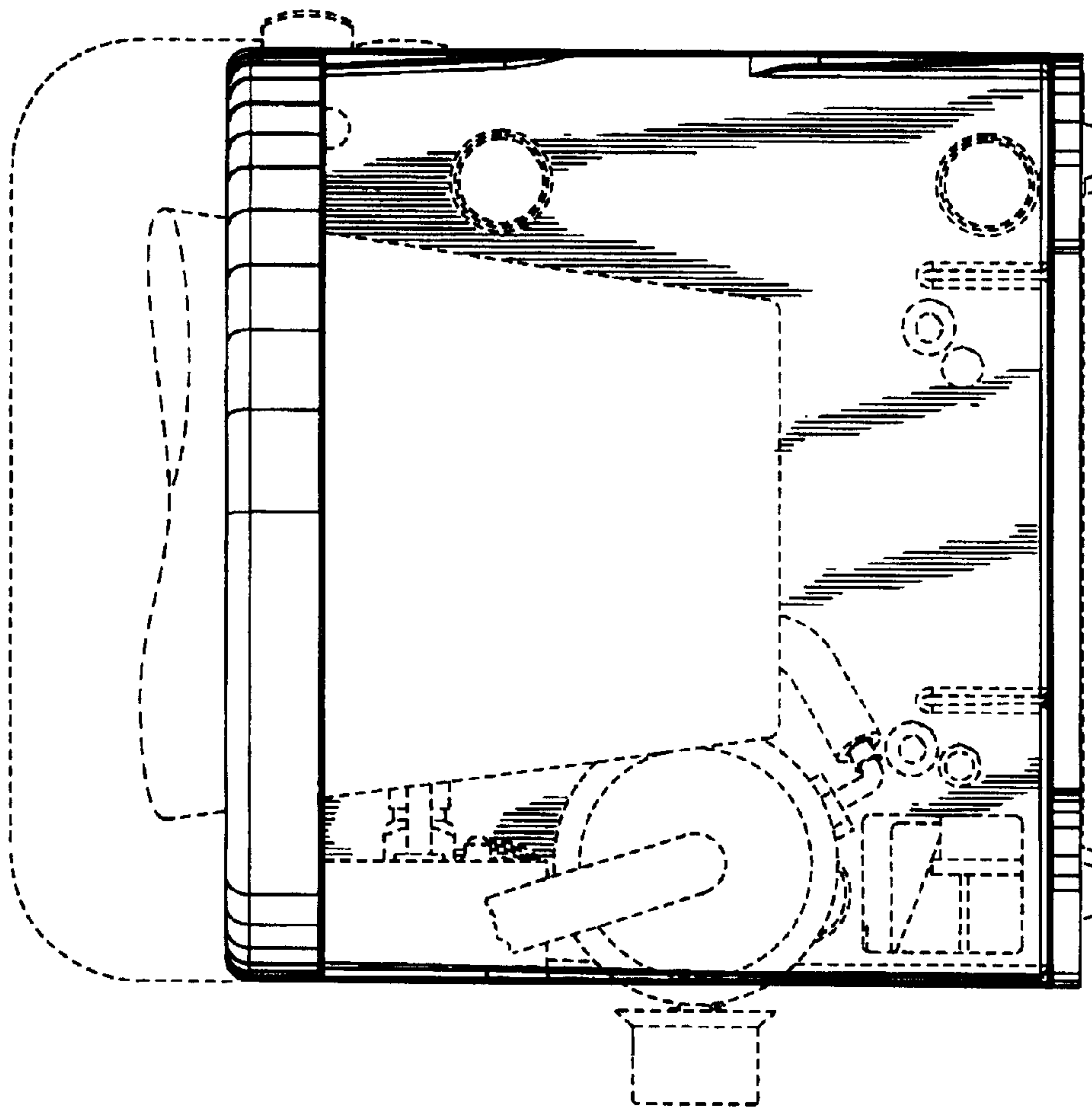
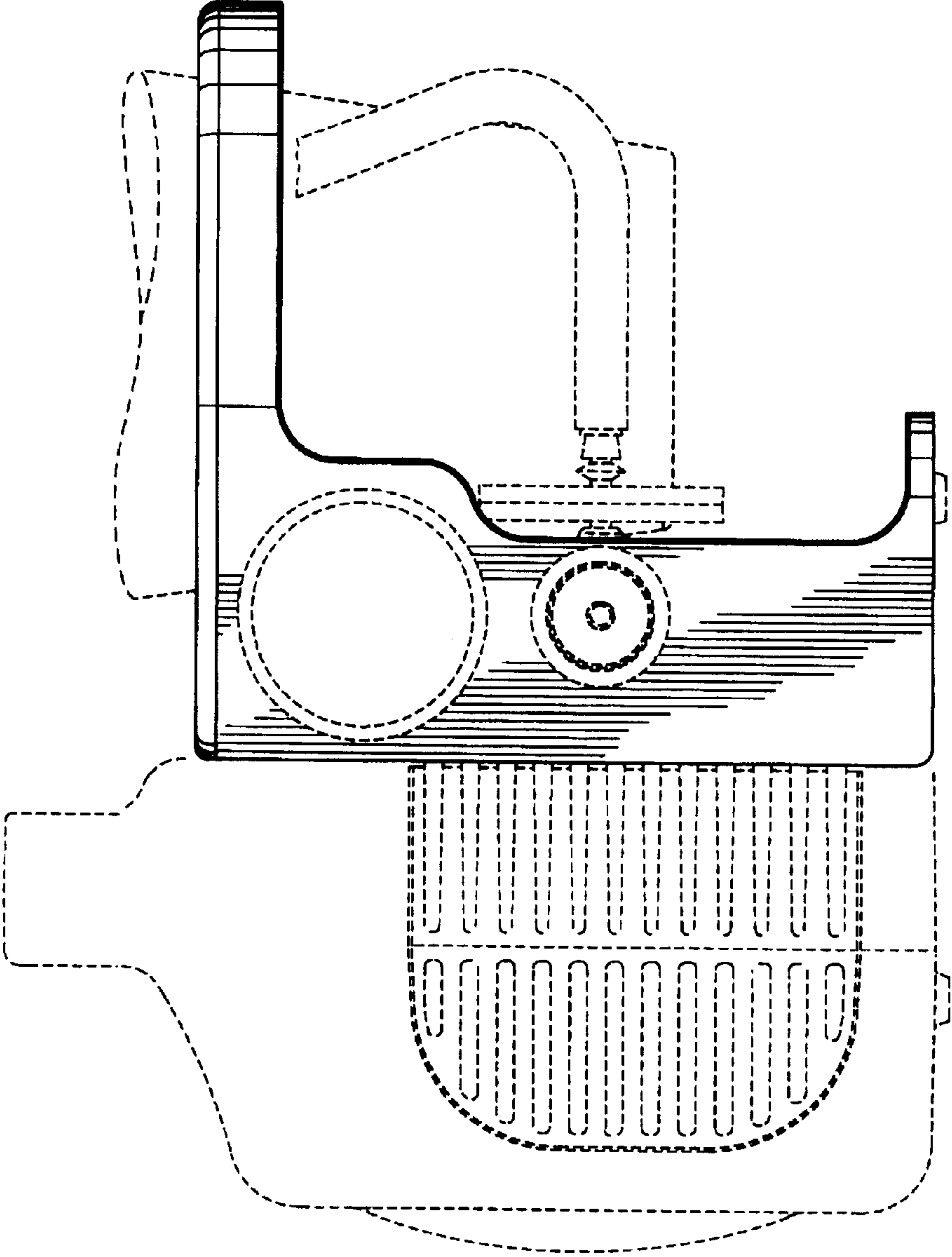


Fig. 3

Fig. 4



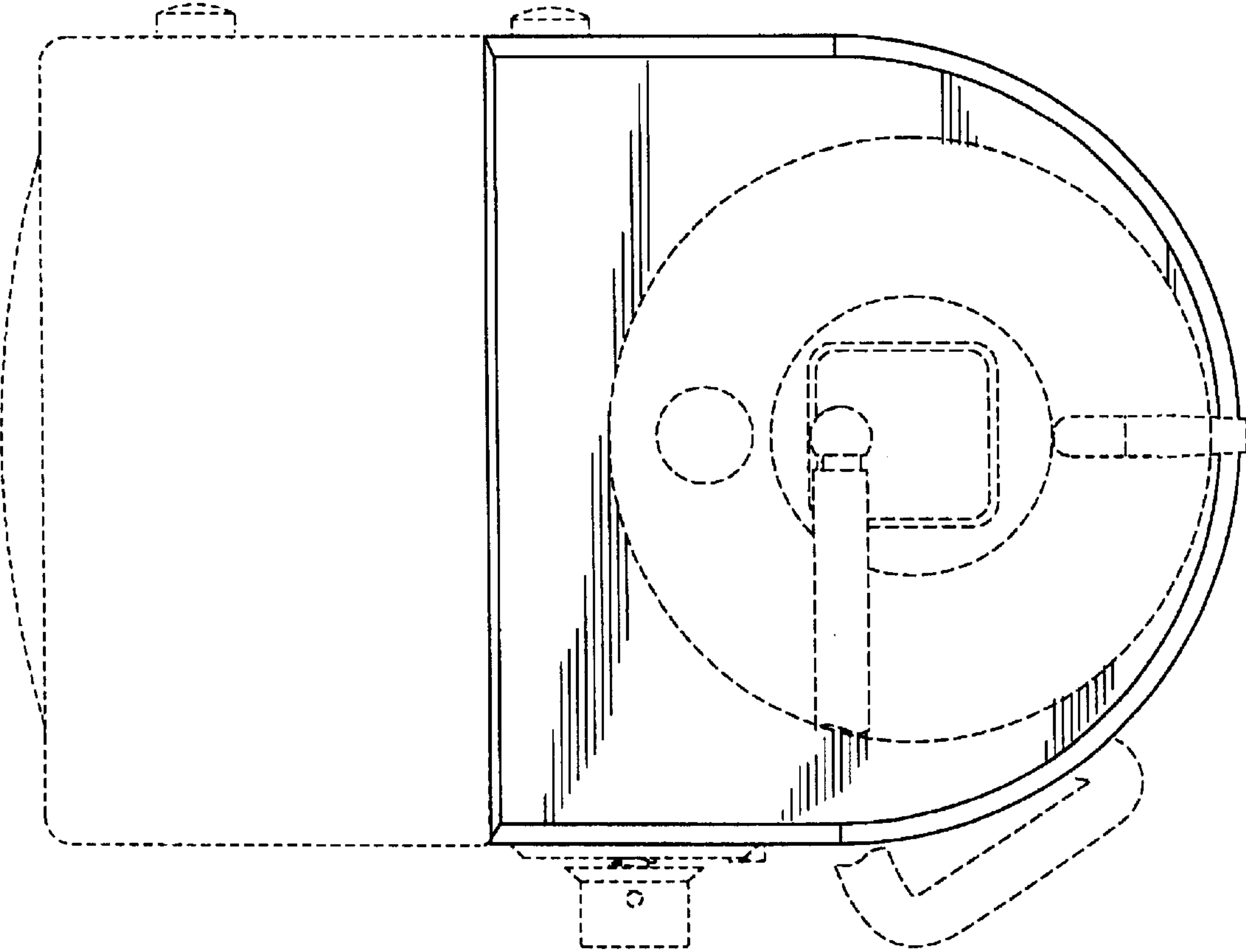


Fig. 5

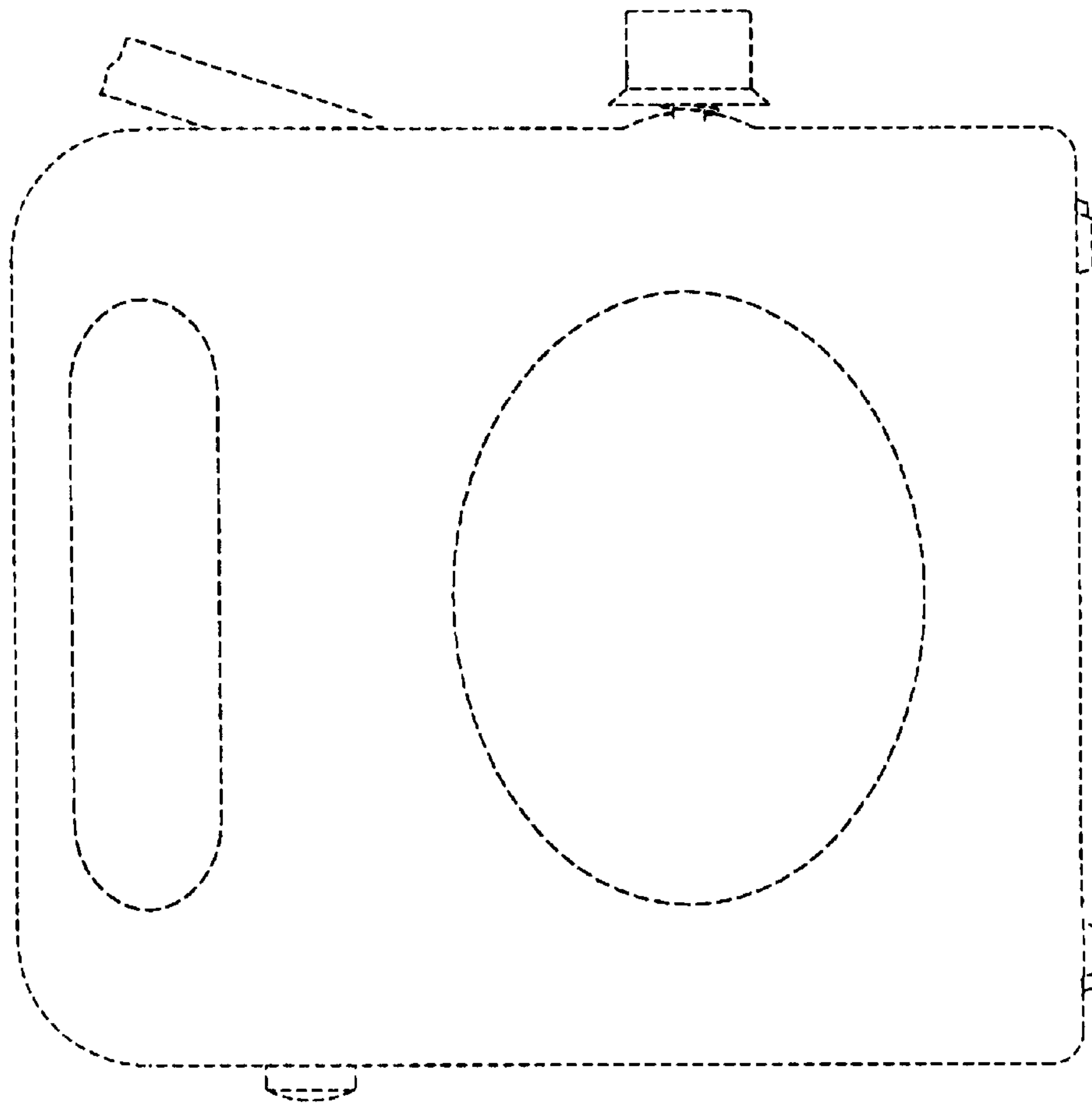


Fig. 6

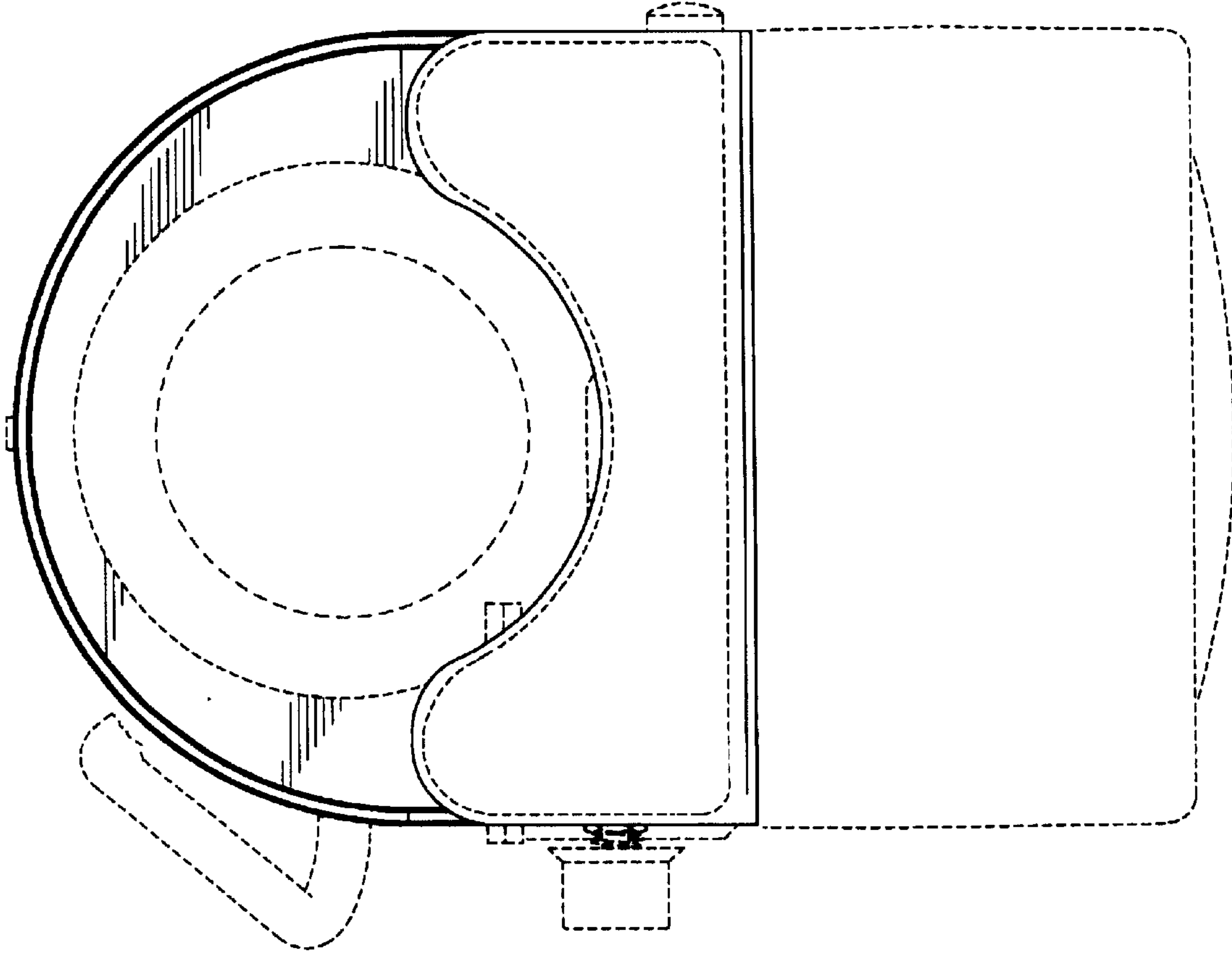


Fig. 7