



US00D539896S

(12) **United States Design Patent**
Pan

(10) **Patent No.:** **US D539,896 S**

(45) **Date of Patent:** **** Apr. 3, 2007**

(54) **CEILING FAN HOUSING**

(75) Inventor: **Peter Pan**, Shetzu (TW)

(73) Assignee: **Air Cool Industrial Co., Ltd.**,
Taichung (TW)

(**) Term: **14 Years**

D483,463 S 12/2003 Tai
D483,464 S 12/2003 Tai
D483,465 S 12/2003 Tai
D483,847 S 12/2003 Tai
D483,848 S 12/2003 Tai
D483,849 S 12/2003 Tai
D483,850 S 12/2003 Tai
D484,588 S 12/2003 Tai

(Continued)

(21) Appl. No.: **29/244,375**

(22) Filed: **Dec. 7, 2005**

(51) **LOC (8) Cl.** **23-04**

(52) **U.S. Cl.** **D23/411**

(58) **Field of Classification Search** D26/59,
D26/51, 72, 80-86, 73; D23/377, 379, 385,
D23/411; 362/96; 416/5

See application file for complete search history.

(56) **References Cited**

U.S. PATENT DOCUMENTS

D346,210 S	*	4/1994	Holbrook	D23/377
D369,405 S	*	4/1996	Holbrook	D23/411
5,508,484 A		4/1996	Chen		
D396,530 S		7/1998	Tai		
D404,808 S		1/1999	Tai		
D404,809 S		1/1999	Tai		
D405,878 S		2/1999	Tai		
D408,073 S		4/1999	Tai		
D408,074 S		4/1999	Tai		
D408,516 S		4/1999	Tai		
D409,297 S		5/1999	Tai		
D414,860 S	*	10/1999	Thomas, Jr.	D23/411
6,059,531 A		5/2000	Tai		
6,135,618 A		10/2000	Tai		
6,259,025 B1		7/2001	Tai		
6,379,116 B1		4/2002	Tai		
D457,619 S	*	5/2002	Hsieh	D23/411
D457,947 S		5/2002	Tai		
6,392,146 B1		5/2002	Tai		
D458,675 S		6/2002	Tai		
D460,208 S	*	7/2002	Dolan	D26/86
D476,410 S	*	6/2003	Young	D23/411
D478,381 S		8/2003	Tai		

Primary Examiner—Lisa Lichtenstein

(74) *Attorney, Agent, or Firm*—Morrison & Foerster LLP

(57) **CLAIM**

The ornamental design for a ceiling fan housing, as shown and described.

DESCRIPTION

FIG. 1 is a perspective view of a fan housing in accordance with the present invention, the ceiling fan illustrates an environment for said fan housing;

FIG. 2 is an enlarged side view of the fan housing in accordance with the present invention;

FIG. 3 is another enlarged side view of the fan housing in accordance with the present invention;

FIG. 4 is yet another enlarged side view of the fan housing in accordance with the present invention;

FIG. 5 is yet another enlarged side view of the fan housing in accordance with the present invention;

FIG. 6 is an enlarged top view of the fan housing in accordance with the present invention;

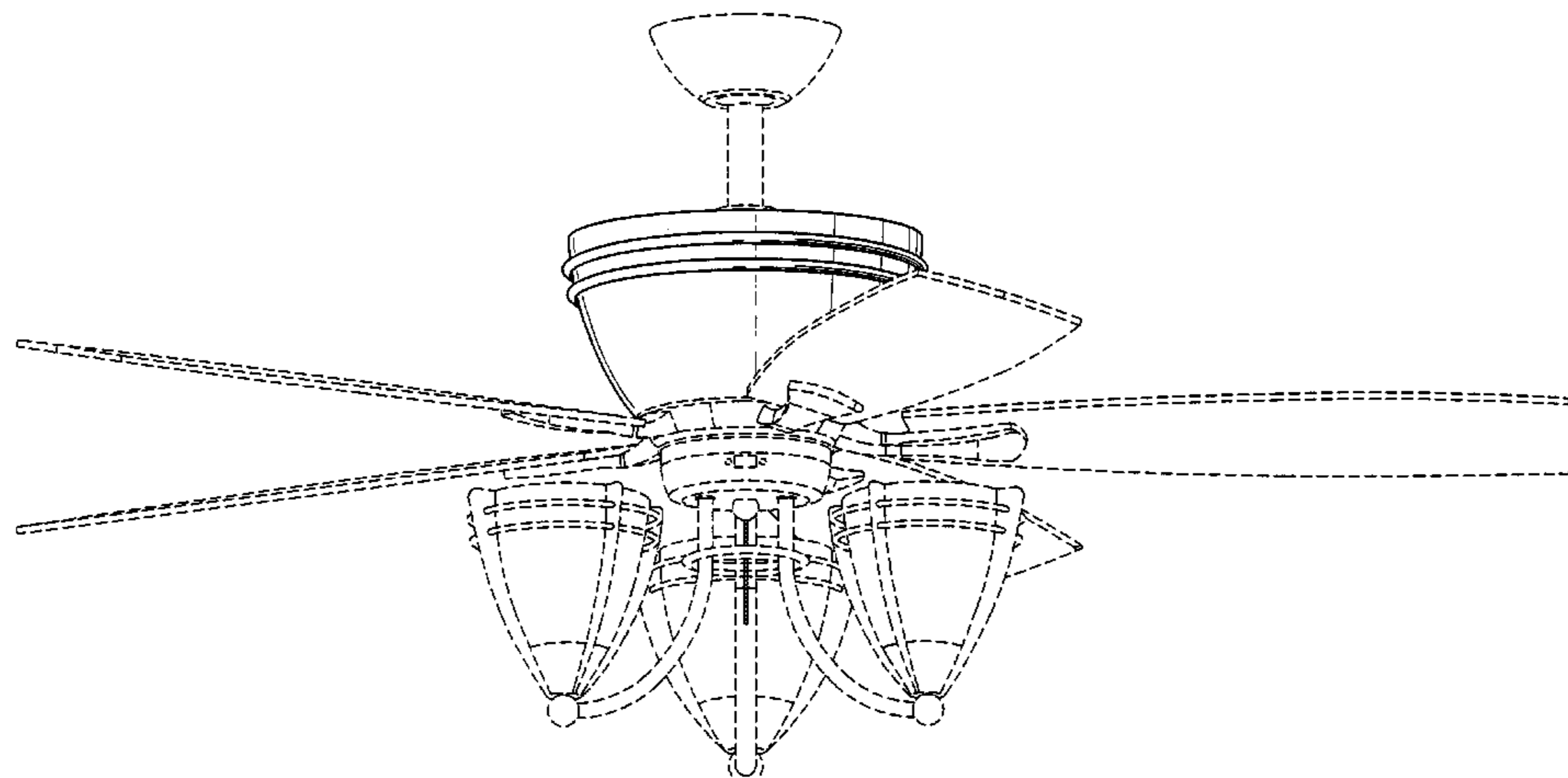
FIG. 7 is an enlarged bottom view of the fan housing in accordance with the present invention;

FIG. 8 is an enlarged perspective view of the fan housing in accordance with the present invention; and,

FIG. 9 is another enlarged perspective view of the fan housing in accordance with the present invention.

The broken line showing of the ceiling fan mounting canopy, light kit, ceiling fan blades, support rod and switch housing is included for the purpose of illustrating environmental structure and forms no part of the claimed design.

1 Claim, 9 Drawing Sheets



US D539,896 S

Page 2

U.S. PATENT DOCUMENTS

D484,969 S	1/2004	Tai		D503,473 S	3/2005	Tai
D485,344 S	1/2004	Tai		D503,474 S	3/2005	Tai
D485,609 S	1/2004	Tai		D503,475 S	3/2005	Tai
D485,611 S	1/2004	Tai		D503,476 S	3/2005	Tai
D485,897 S	1/2004	Tai		D503,795 S	4/2005	Tai
D486,215 S	* 2/2004	Hsieh D23/377	D504,173 S	4/2005	Cohen
D490,888 S	6/2004	Tai		D505,197 S	5/2005	Tai
D494,705 S	8/2004	Tai		D505,724 S	5/2005	Tai
D501,578 S	2/2005	Tai		D507,644 S	7/2005	Tai
D503,472 S	3/2005	Tai		D507,830 S	7/2005	Pan

* cited by examiner

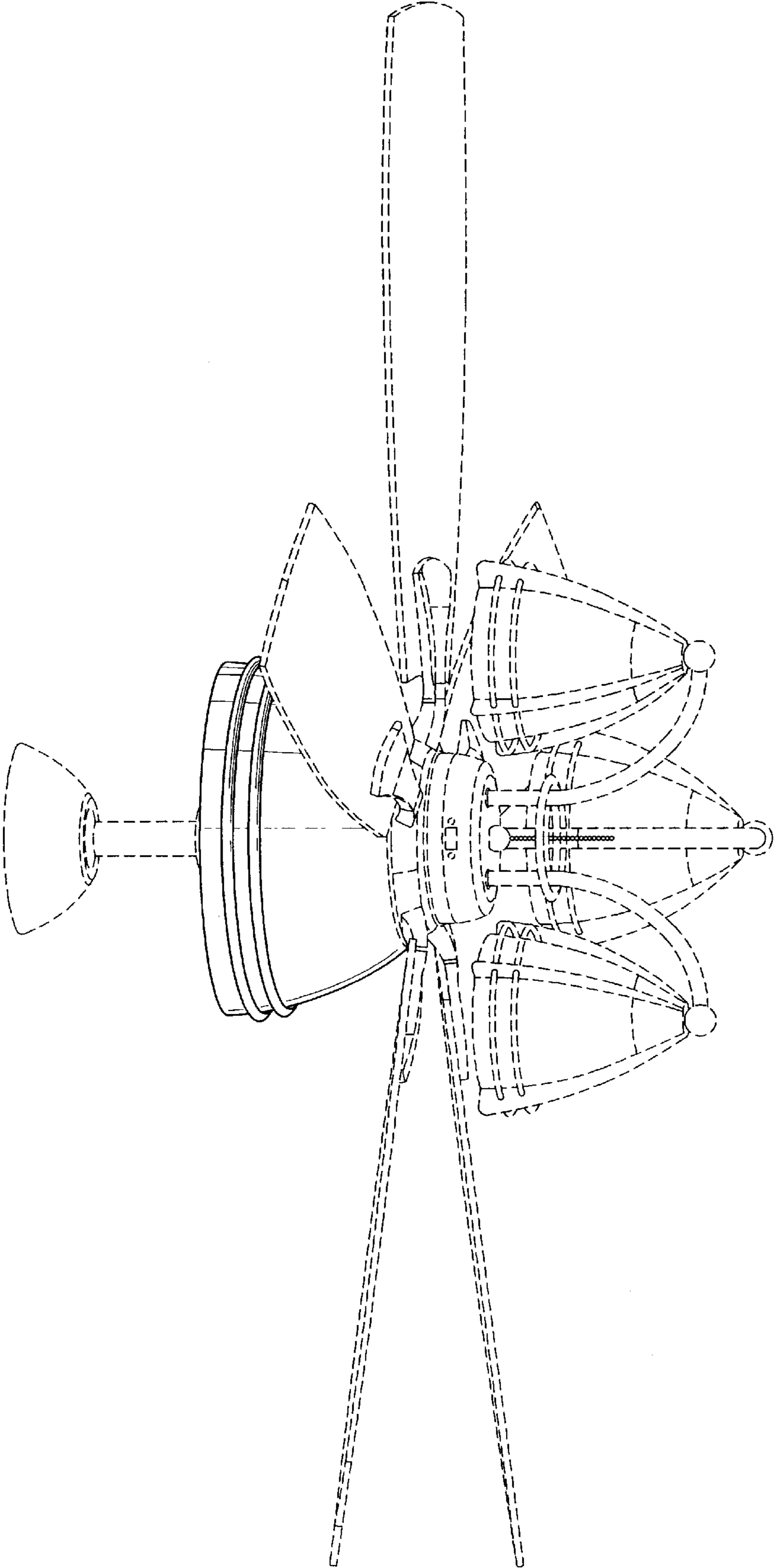


FIG. 1

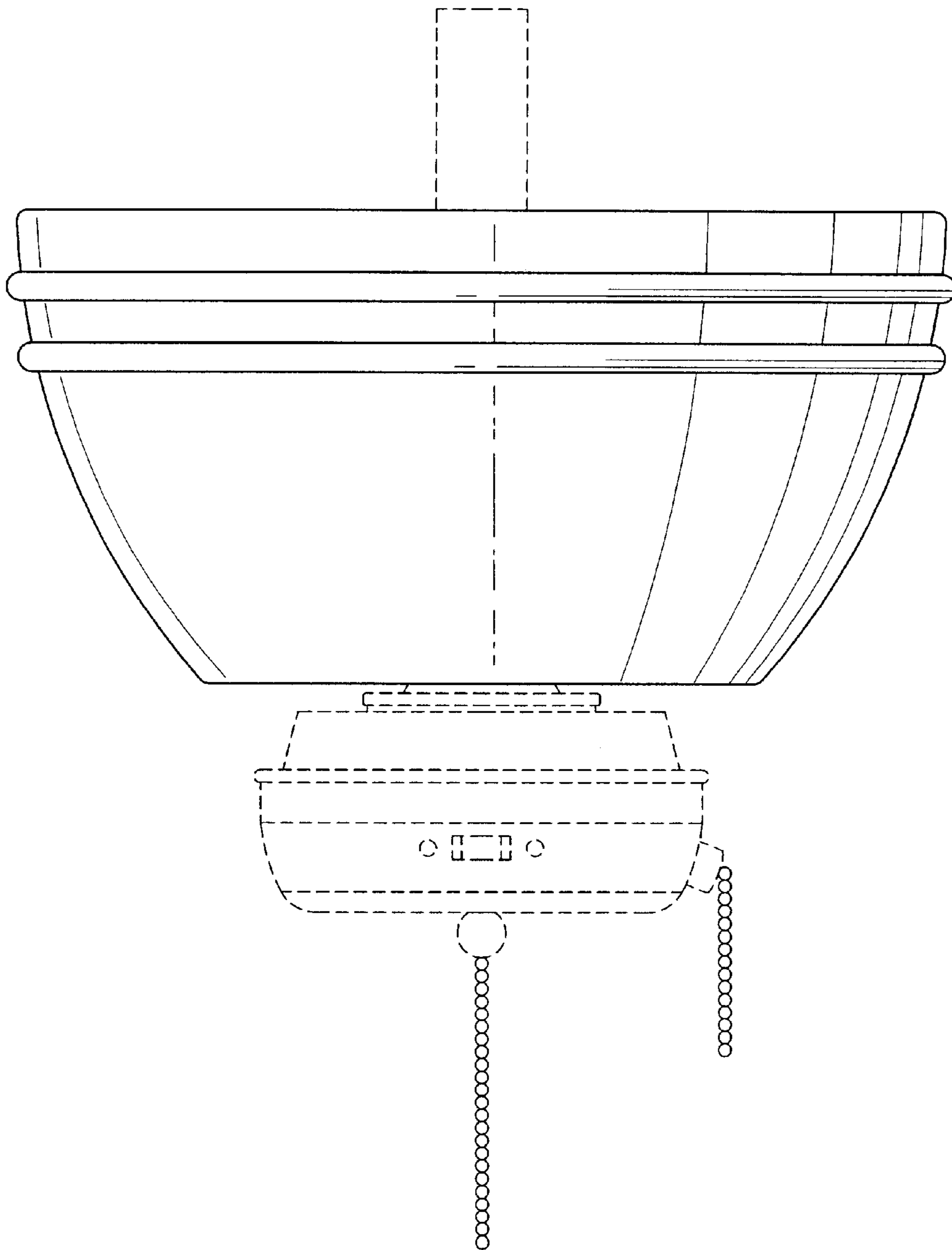


FIG. 2

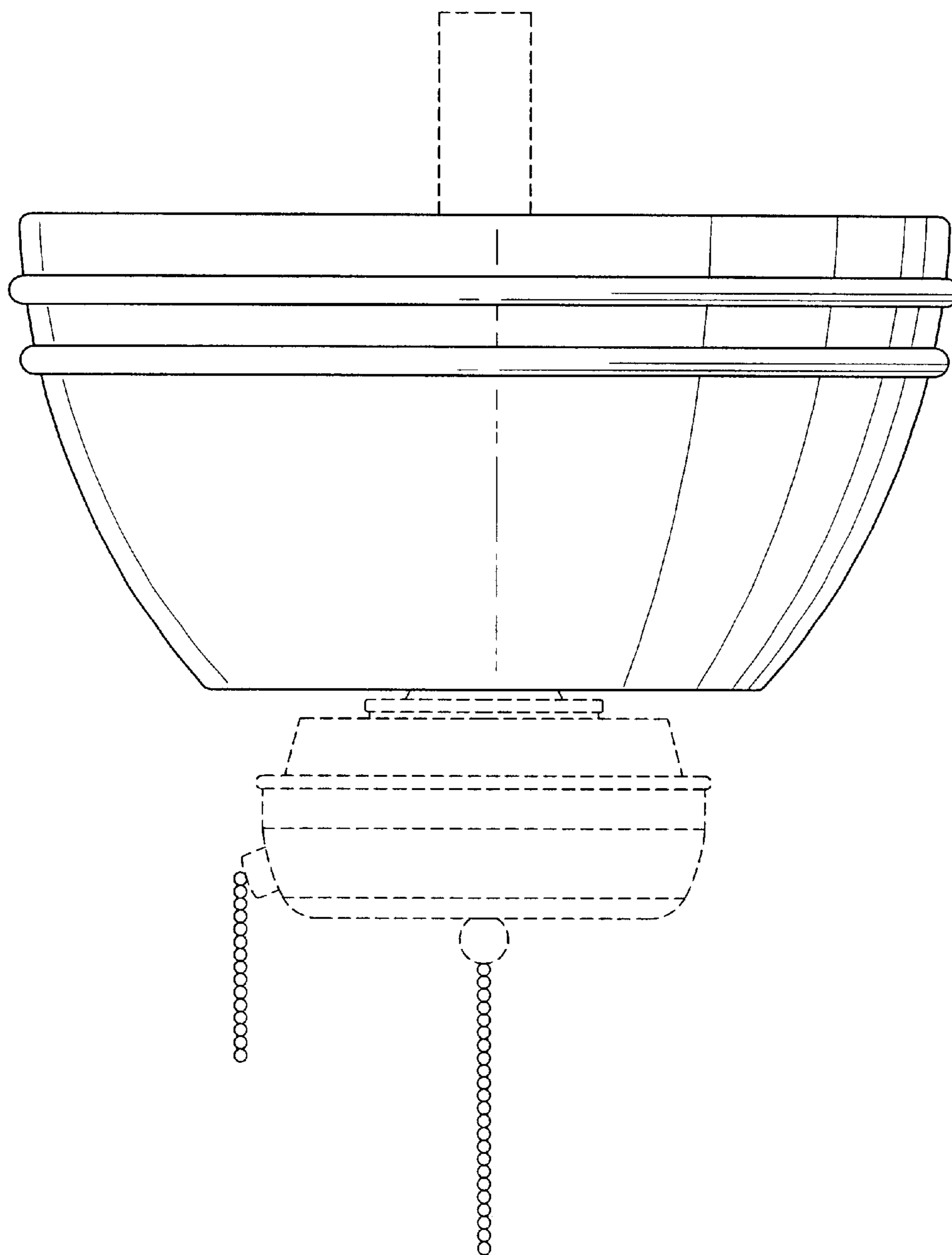


FIG. 3

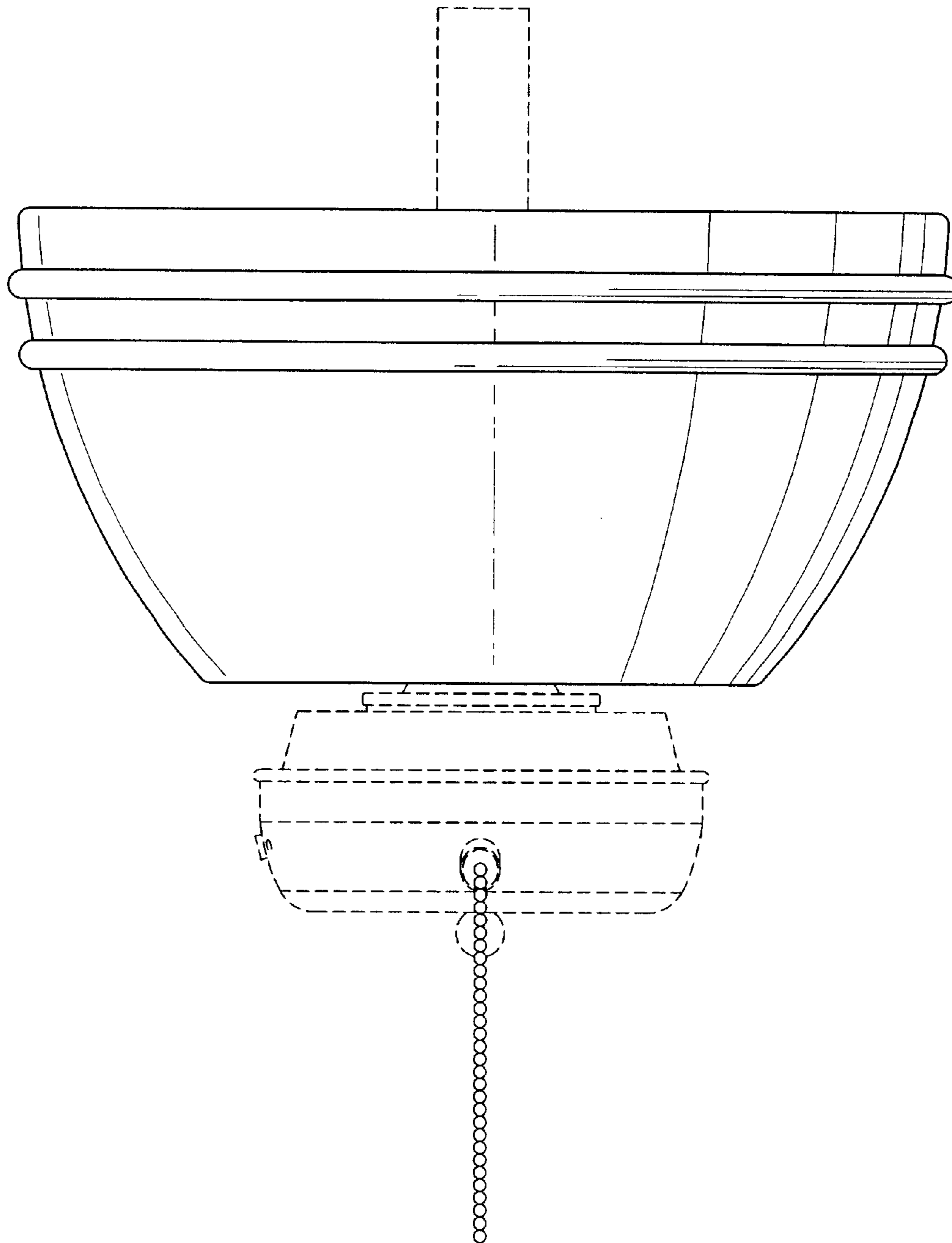


FIG. 4

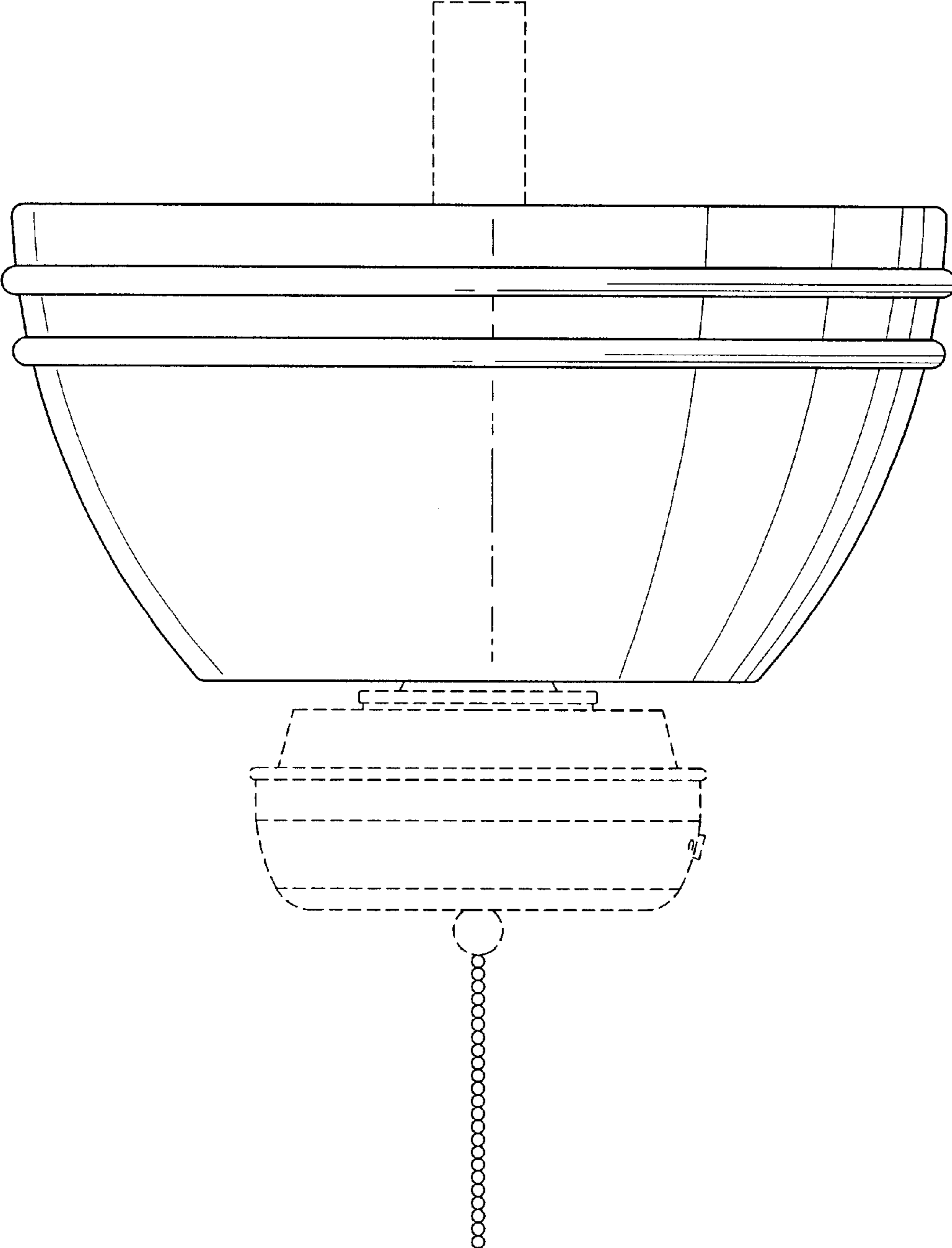


FIG. 5

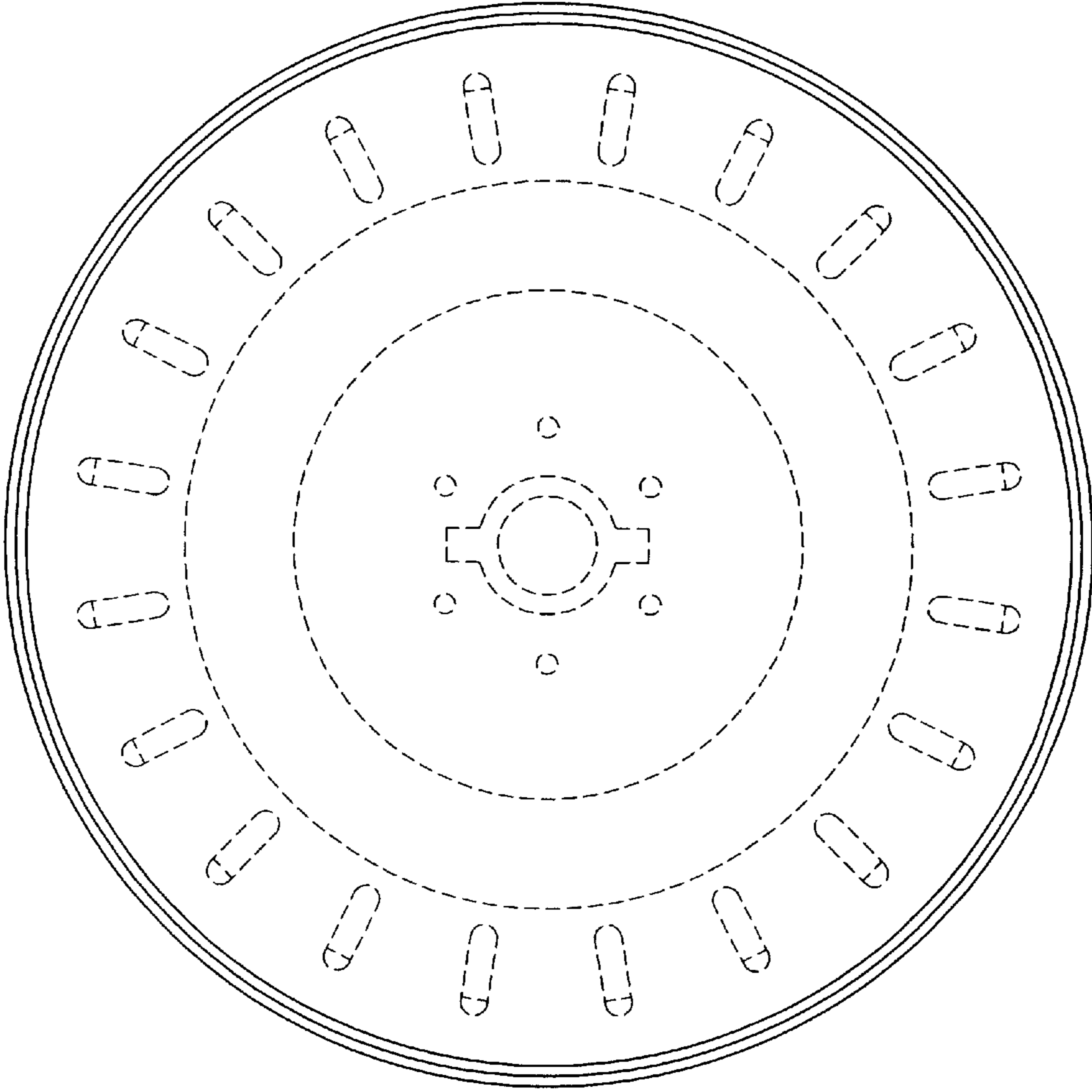


FIG. 6

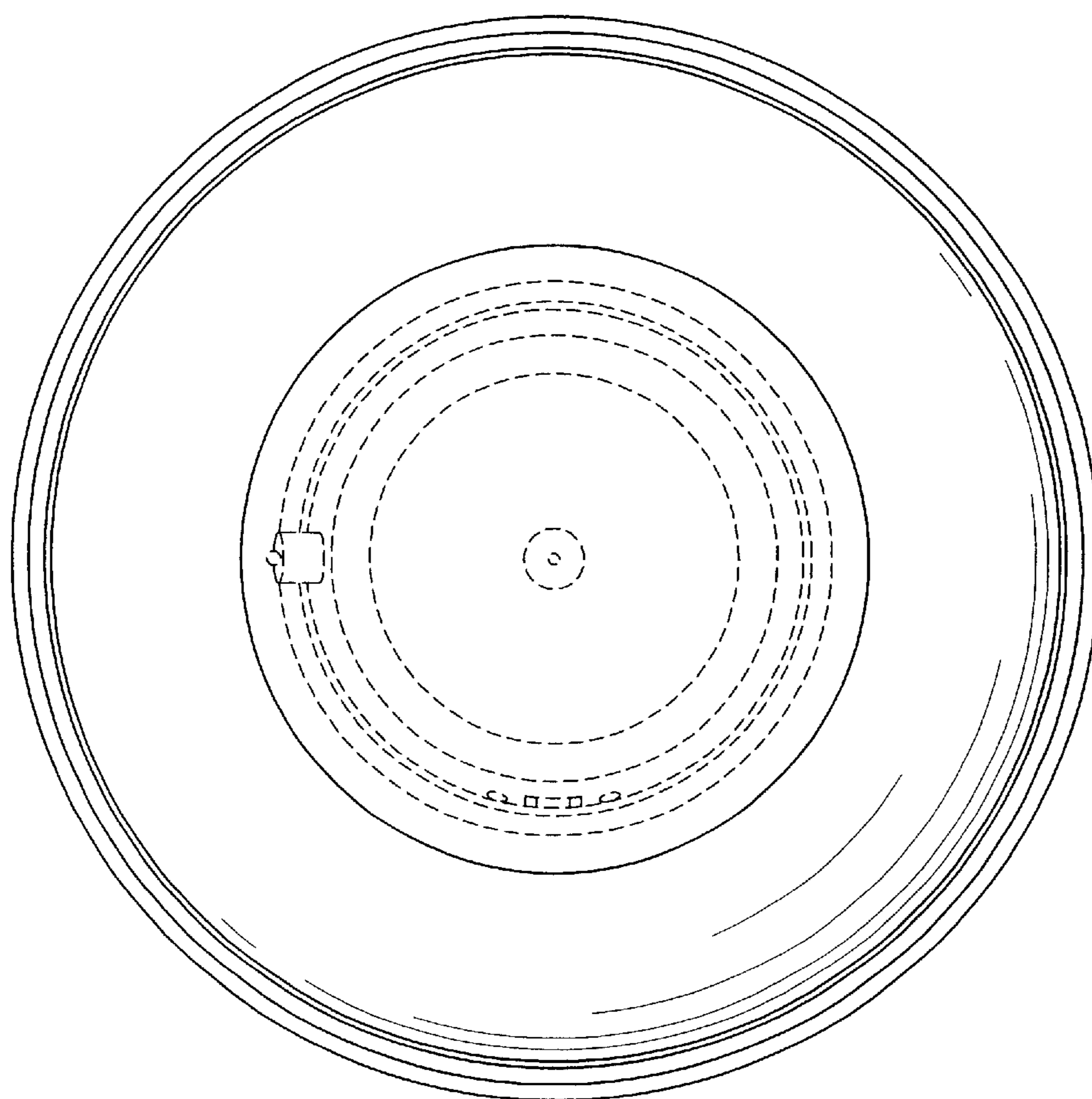


FIG. 7

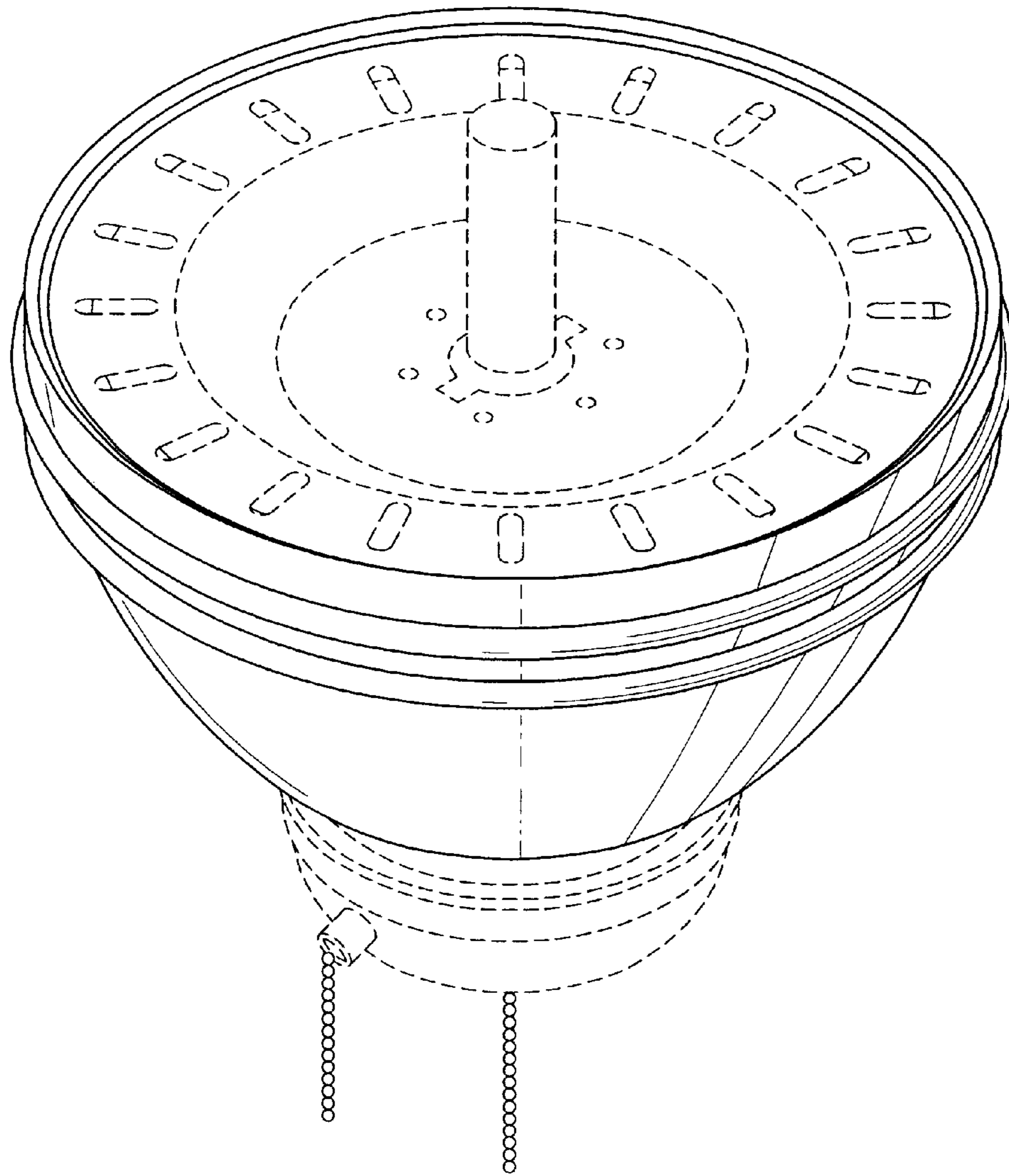


FIG. 8

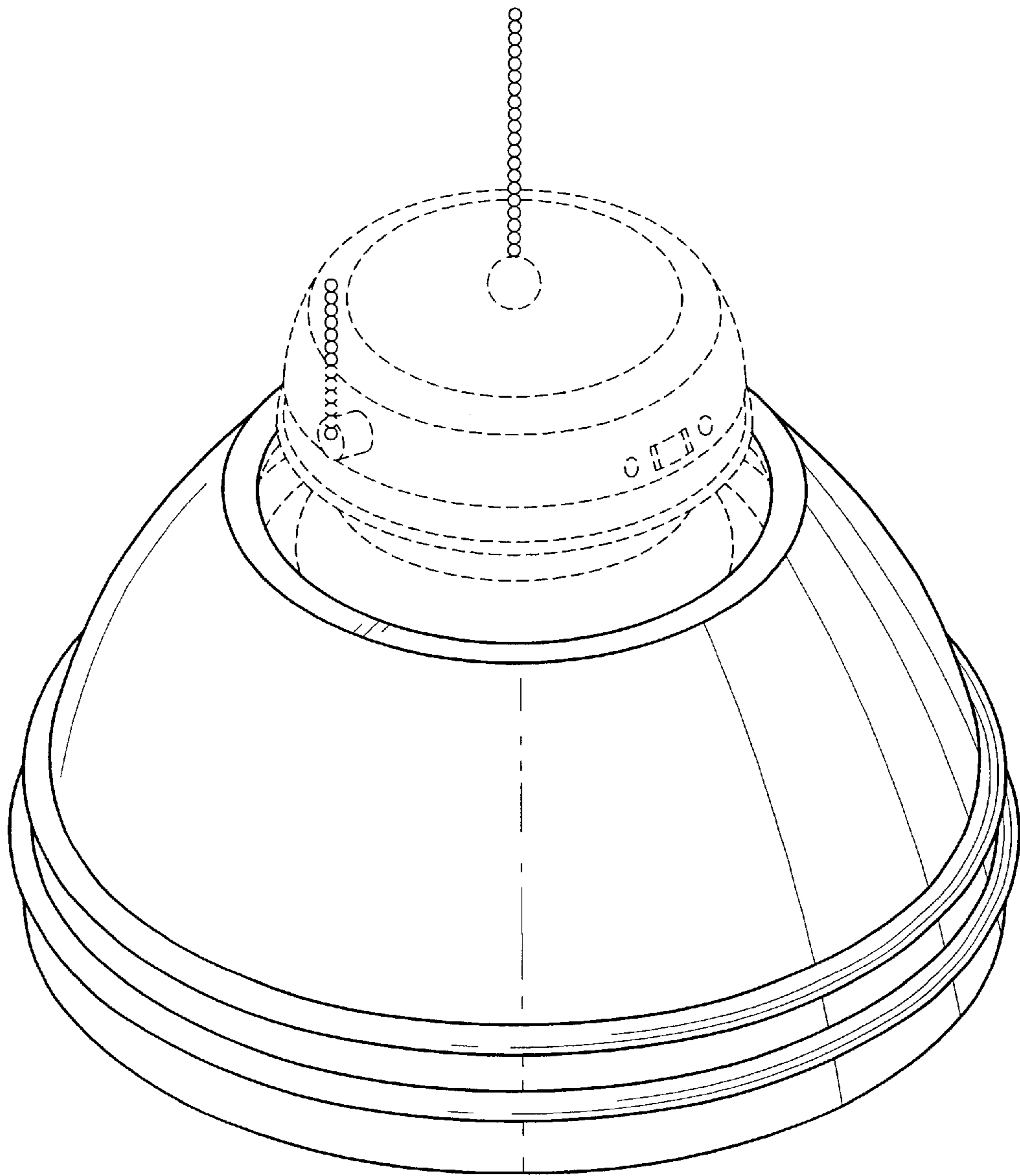


FIG. 9