



US00D539892S

(12) **United States Design Patent**
Caserta et al.

(10) **Patent No.:** **US D539,892 S**

(45) **Date of Patent:** **** Apr. 3, 2007**

(54) **EVAPORATOR OF ACTIVE SUBSTANCES**

(56) **References Cited**

(75) Inventors: **Andrea Caserta**, Cerdanyola del Valles (ES); **Ruben Garcia Fabrega**, Cerdanyola del Valles (ES); **Joan Gusi Hidalgo**, Cerdanyola del Valles (ES)

U.S. PATENT DOCUMENTS

D432,222 S	10/2000	Rymer et al.
D433,744 S	11/2000	Basaganas
D481,787 S	11/2003	Millan
D491,256 S	6/2004	Fellows et al.
D501,921 S	* 2/2005	Caserta et al. D23/366

(73) Assignee: **DBK Espana, S.A.** (ES)

(**) Term: **14 Years**

* cited by examiner

(21) Appl. No.: **29/219,716**

Primary Examiner—Lisa Lichtenstein

(22) Filed: **Dec. 21, 2004**

(74) *Attorney, Agent, or Firm*—Schiff Hardin LLP

Related U.S. Application Data

(62) Division of application No. 29/181,208, filed on May 7, 2003, now Pat. No. Des. 501,921.

(57) **CLAIM**

The ornamental design for an evaporator of active substances, as shown and described.

(30) **Foreign Application Priority Data**

Nov. 8, 2002 (ES) 155.482

DESCRIPTION

(51) **LOC (8) Cl.** **23-04**

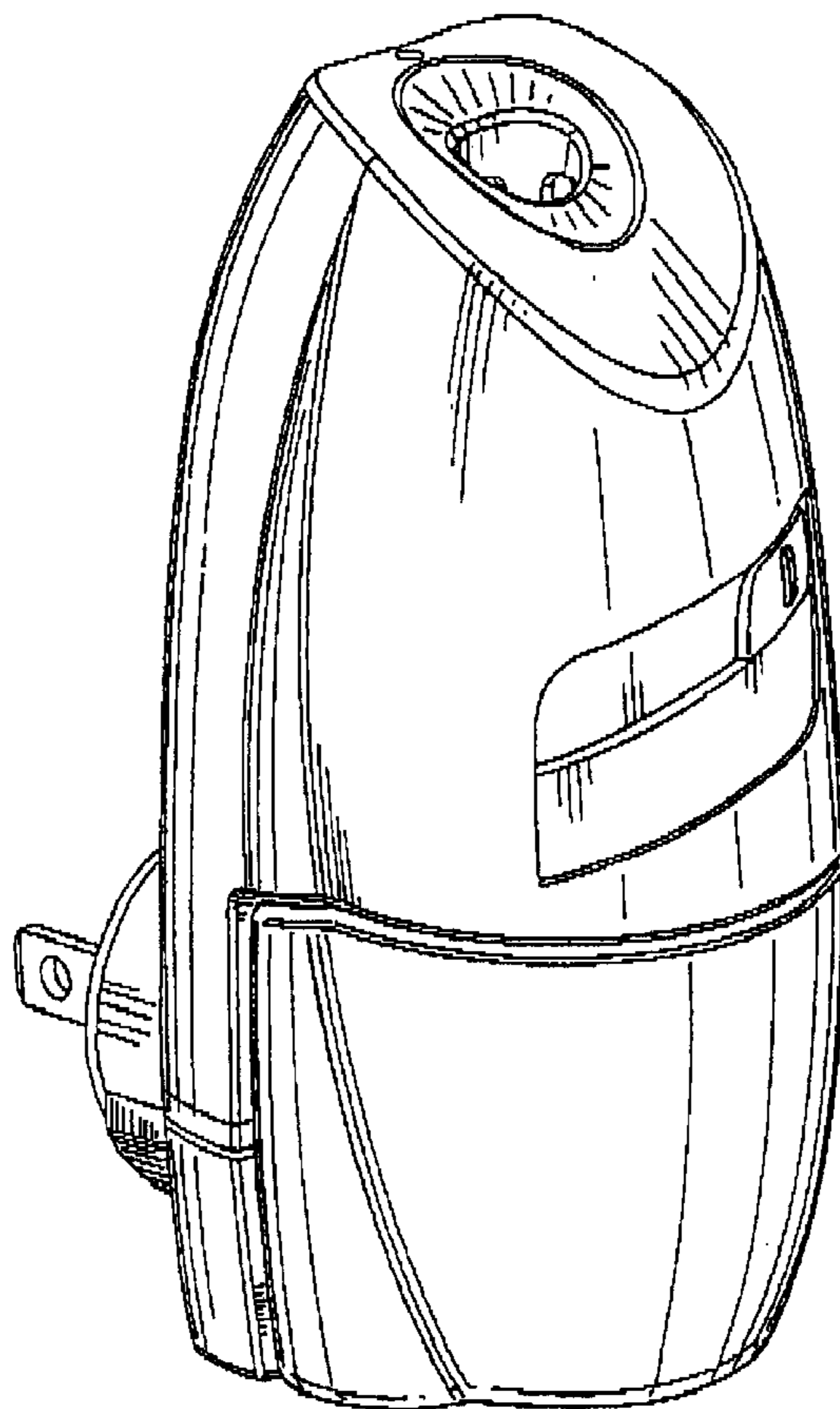
(52) **U.S. Cl.** **D23/366**

(58) **Field of Classification Search** D23/366–369, D23/356–363; 392/390, 392; 239/135, 136, 239/58, 60

FIG. 1 is a perspective view of an embodiment of an evaporator of active substances showing my new design; FIG. 2 is a side view thereof; FIG. 3 is a back view thereof; FIG. 4 is a front view thereof; and, FIG. 5 is a top view thereof.

See application file for complete search history.

1 Claim, 5 Drawing Sheets



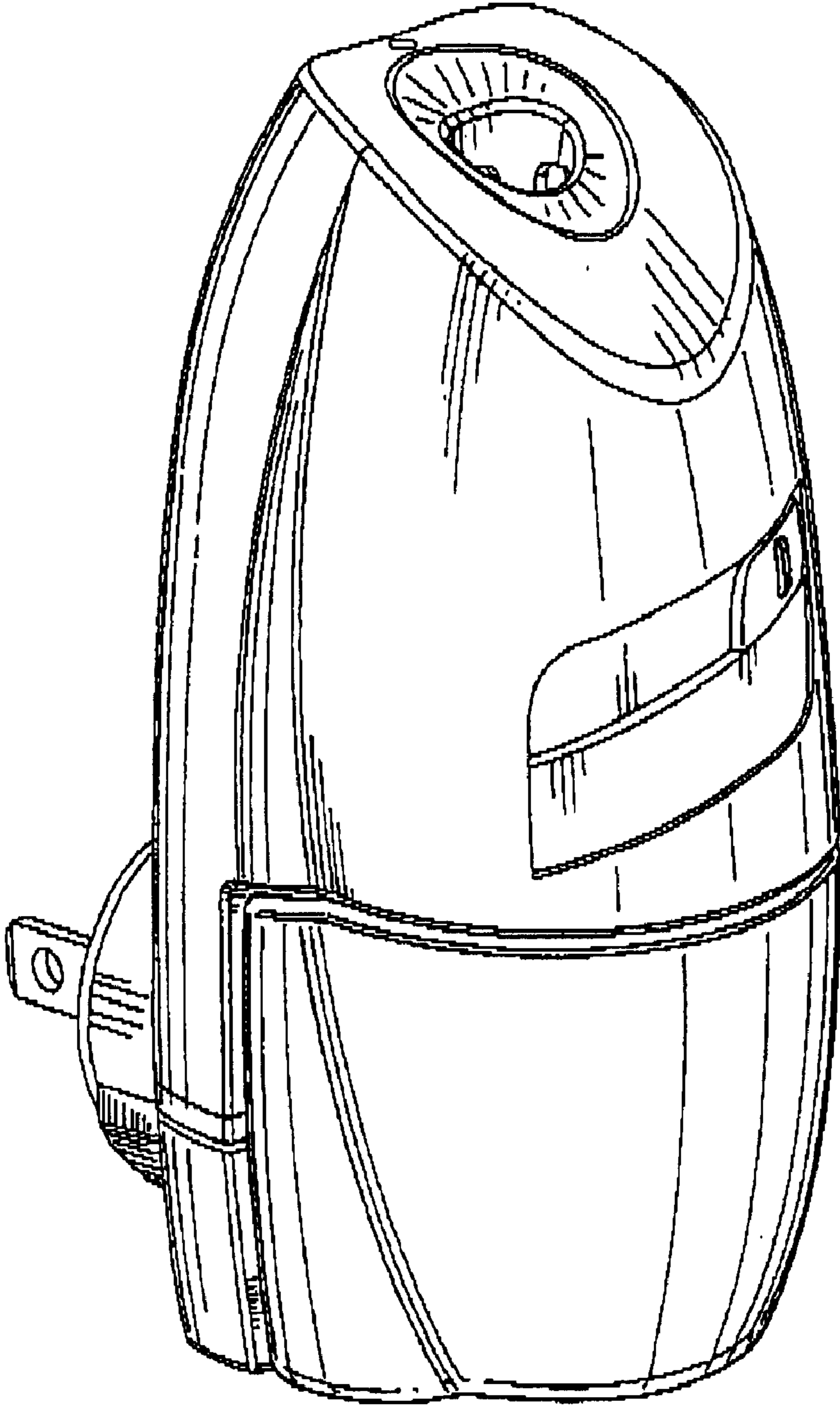


FIG. 1

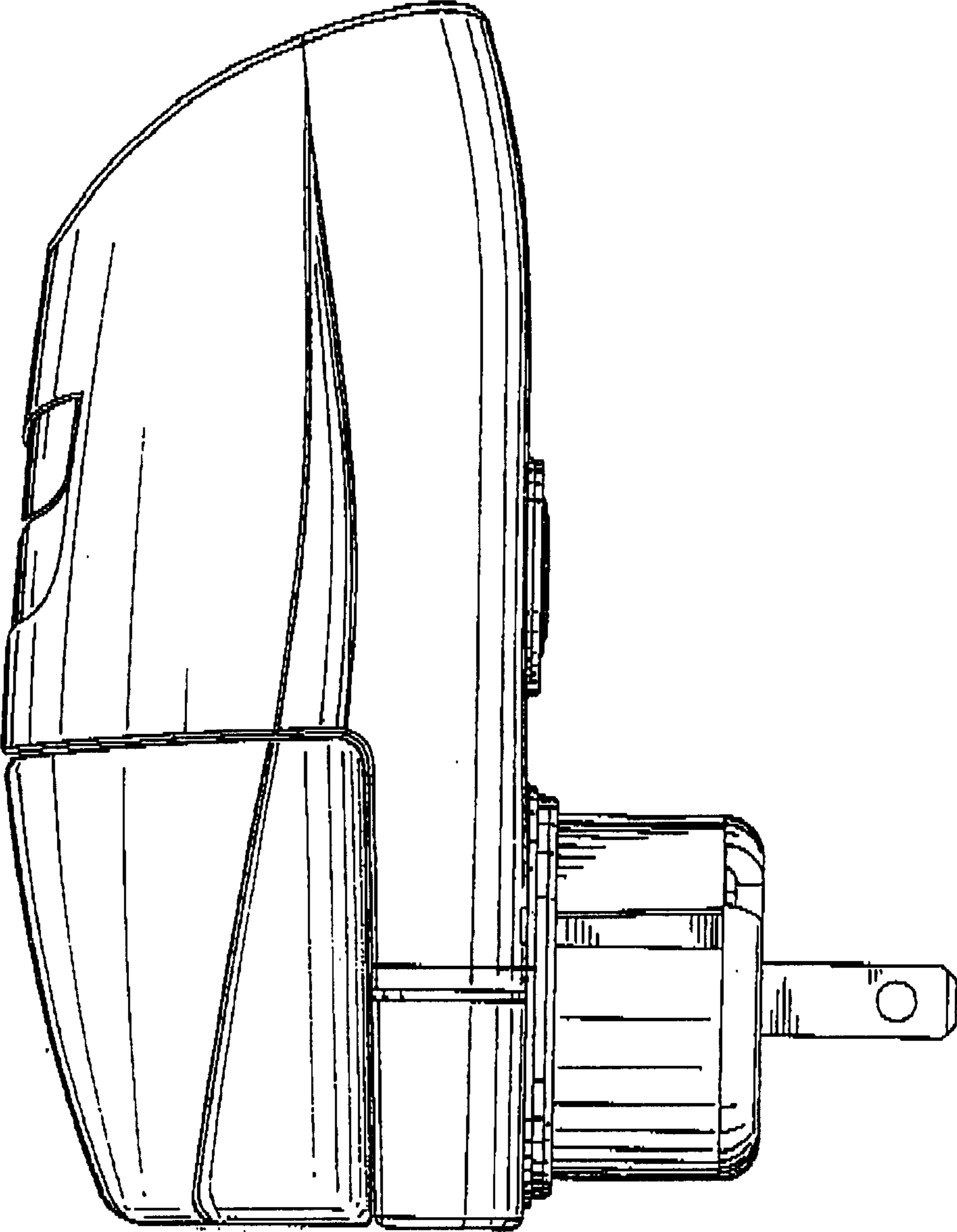


FIG. 2

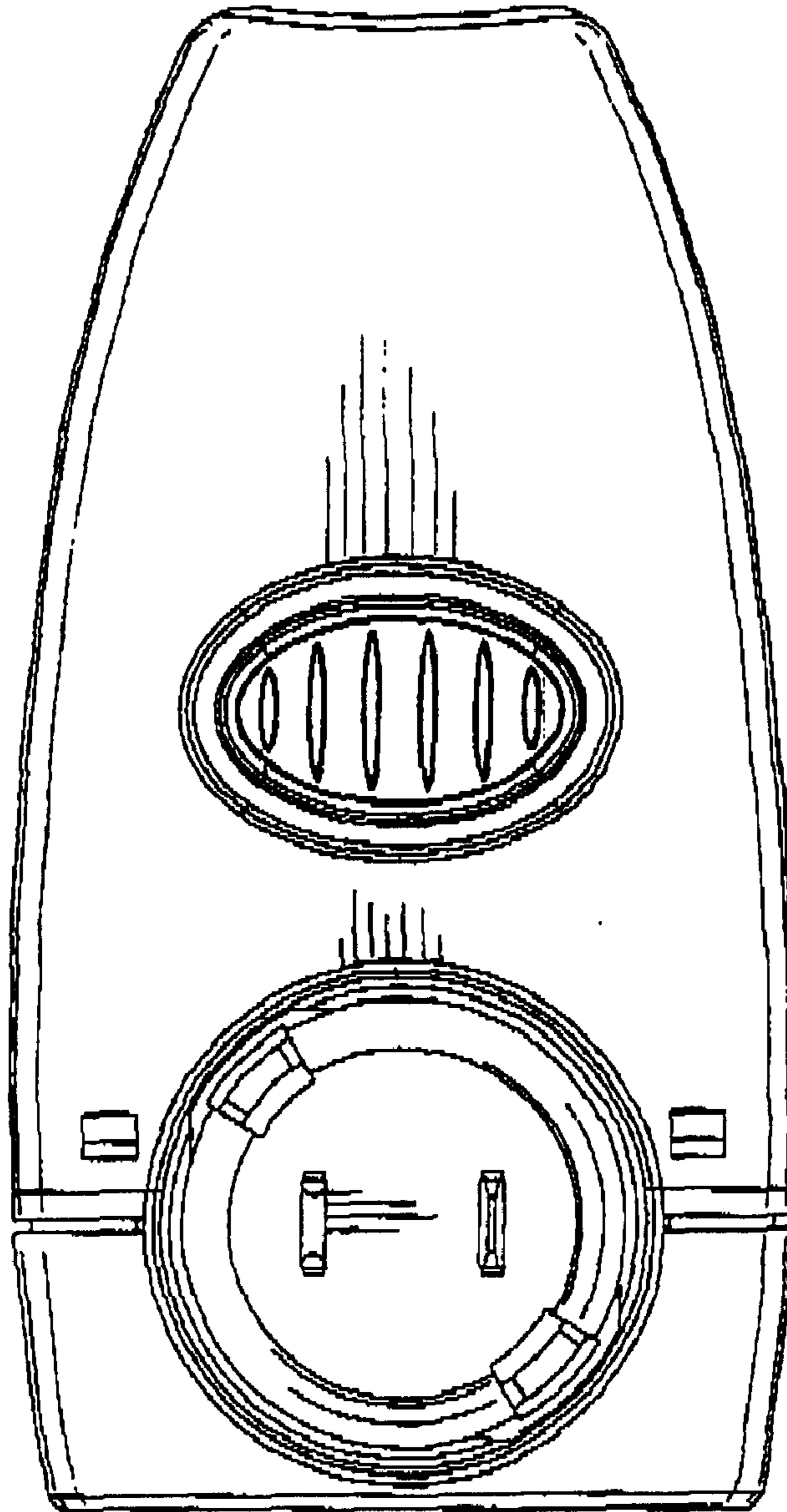


FIG. 3

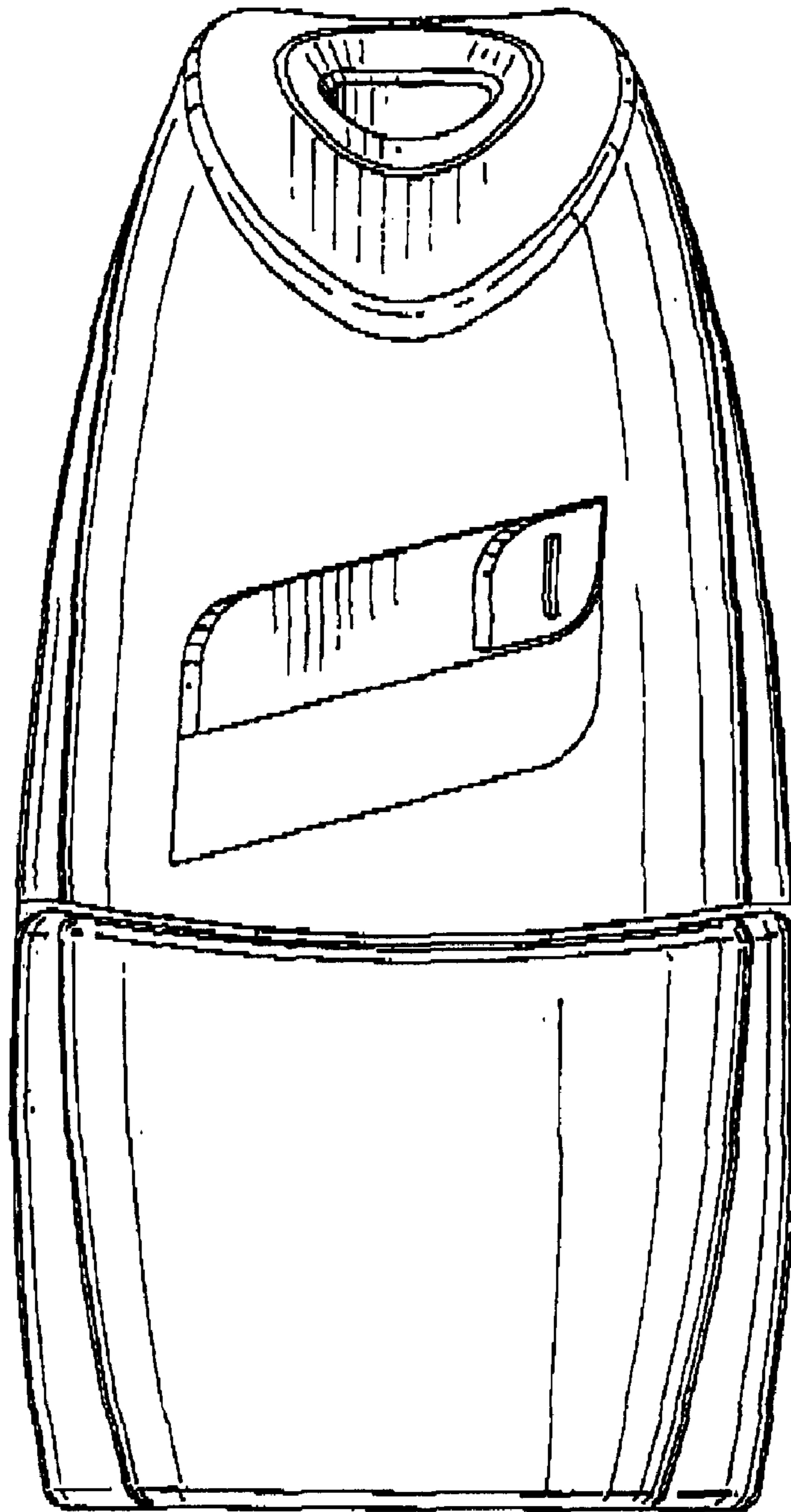


FIG. 4

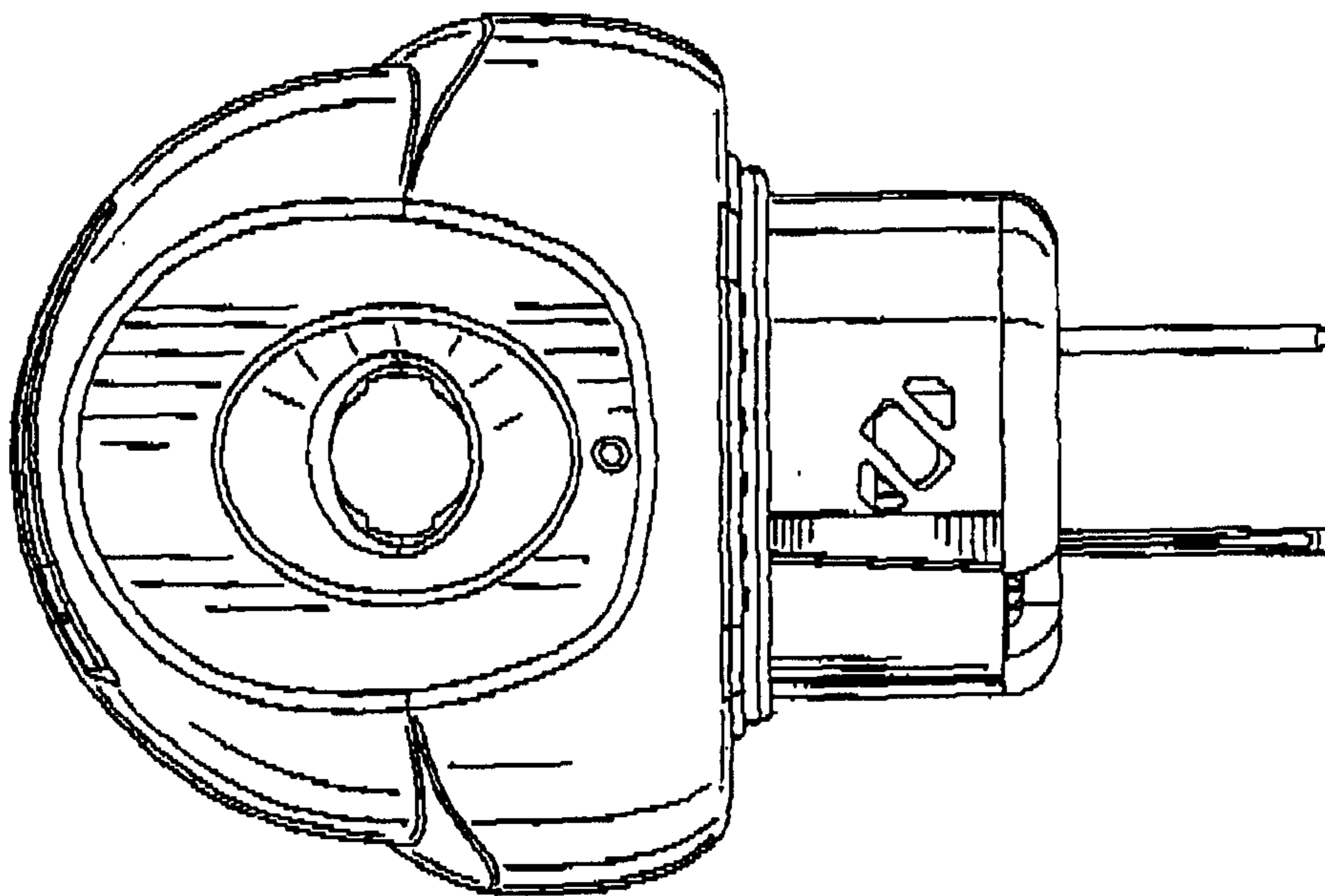


FIG. 5