



US00D539887S

(12) **United States Design Patent**
Kato

(10) **Patent No.:** **US D539,887 S**

(45) **Date of Patent:** **** Apr. 3, 2007**

(54) **AIR CONDITIONER**

(75) Inventor: **Manabu Kato**, Sakai (JP)

(73) Assignee: **Daikin Industries Ltd.**, Osaka-shi,
Osaka (JP)

(**) Term: **14 Years**

(21) Appl. No.: **29/264,742**

(22) Filed: **Aug. 18, 2006**

(51) **LOC (8) Cl.** **23-04**

(52) **U.S. Cl.** **D23/351**

(58) **Field of Classification Search** D23/351-354;
62/259.1, 259.4, 262-263, 285, 298; 312/236;
165/58; 454/292, 305, 339, 349
See application file for complete search history.

(56) **References Cited**

U.S. PATENT DOCUMENTS

- D323,209 S * 1/1992 Fukumoto et al. D23/351
- D331,458 S * 12/1992 Saito et al. D23/351
- D398,974 S * 9/1998 Aihara D23/351
- D401,682 S * 11/1998 Galeazzi et al. D23/351

- D424,672 S * 5/2000 Nanjo D23/353
- D426,292 S * 6/2000 Nanjo D23/351
- D448,462 S * 9/2001 Nanjo D23/351
- D469,173 S * 1/2003 Kawanori et al. D23/351

* cited by examiner

Primary Examiner—Brian N Vinson

(74) *Attorney, Agent, or Firm*—Manabu Kanesaka

(57) **CLAIM**

The ornamental design for an air conditioner, as shown and described.

DESCRIPTION

FIG. 1 is a perspective view of an air conditioner showing my new design;
 FIG. 2 is a front view thereof;
 FIG. 3 is a rear view thereof;
 FIG. 4 is a right side view thereof, a left side view being symmetrical to the right side view;
 FIG. 5 is a plan view thereof;
 FIG. 6 is a bottom view thereof; and,
 FIG. 7 is a sectional view thereof taken along line 7—7 in FIG. 2.

1 Claim, 3 Drawing Sheets

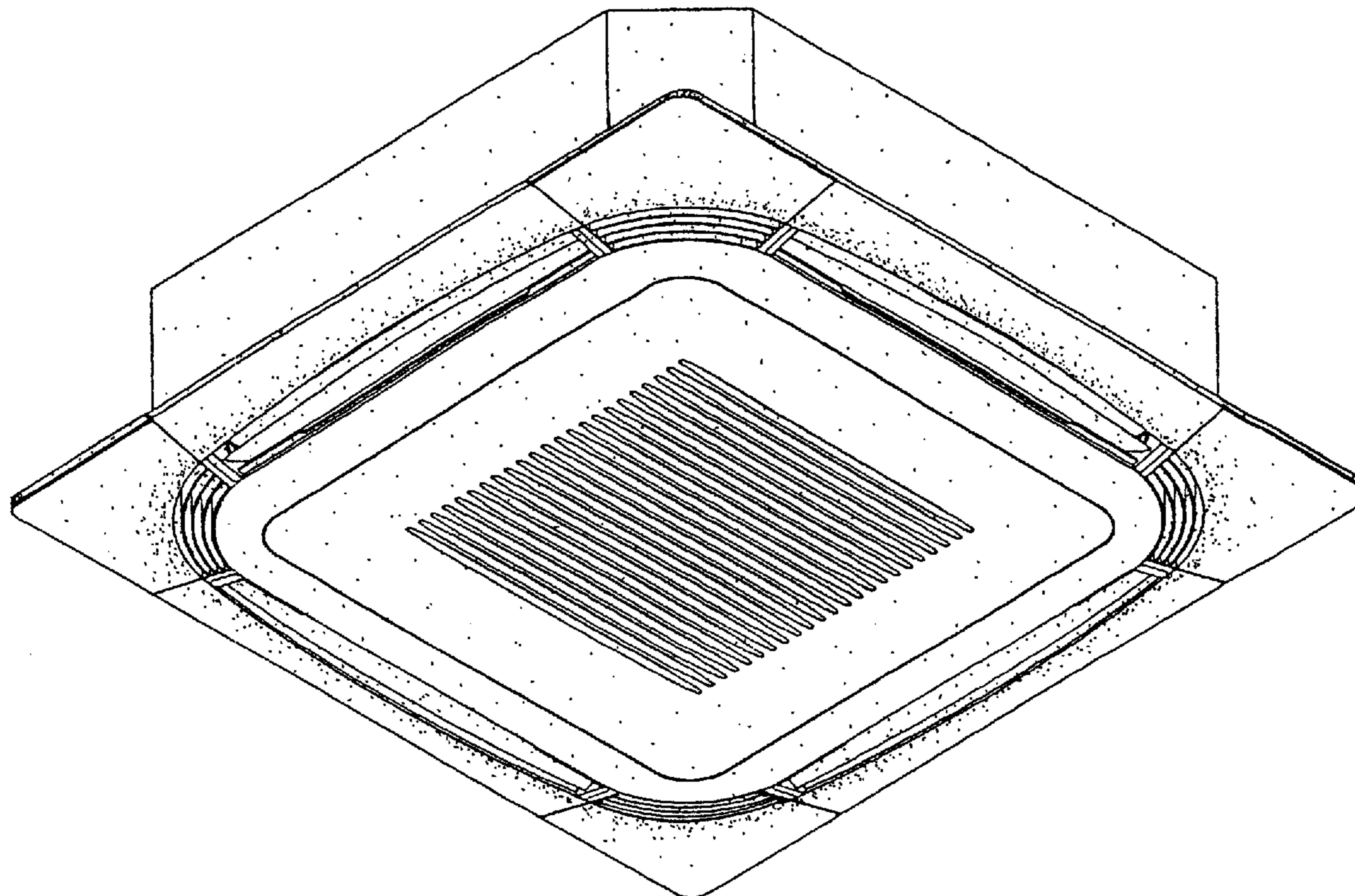
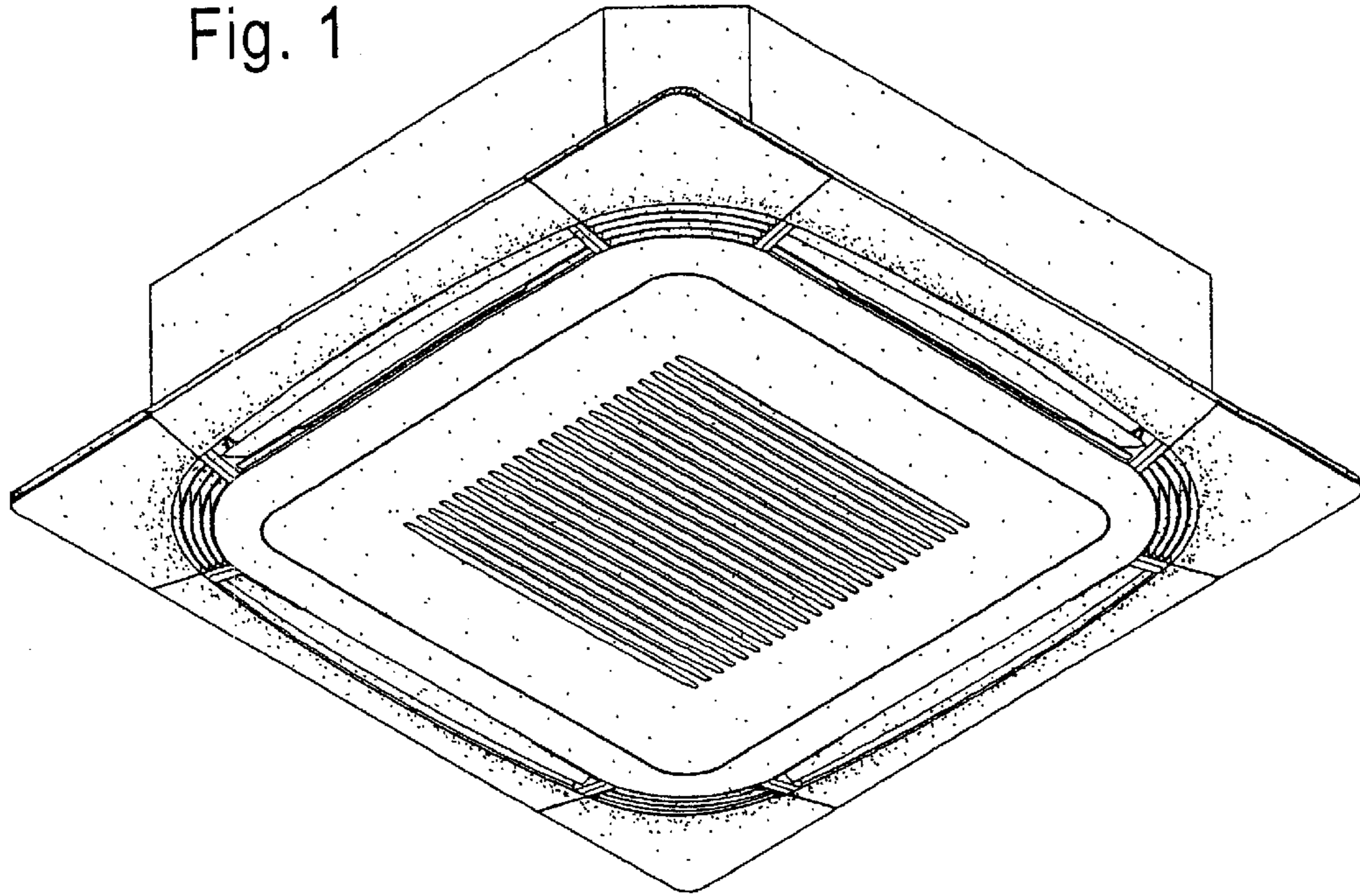
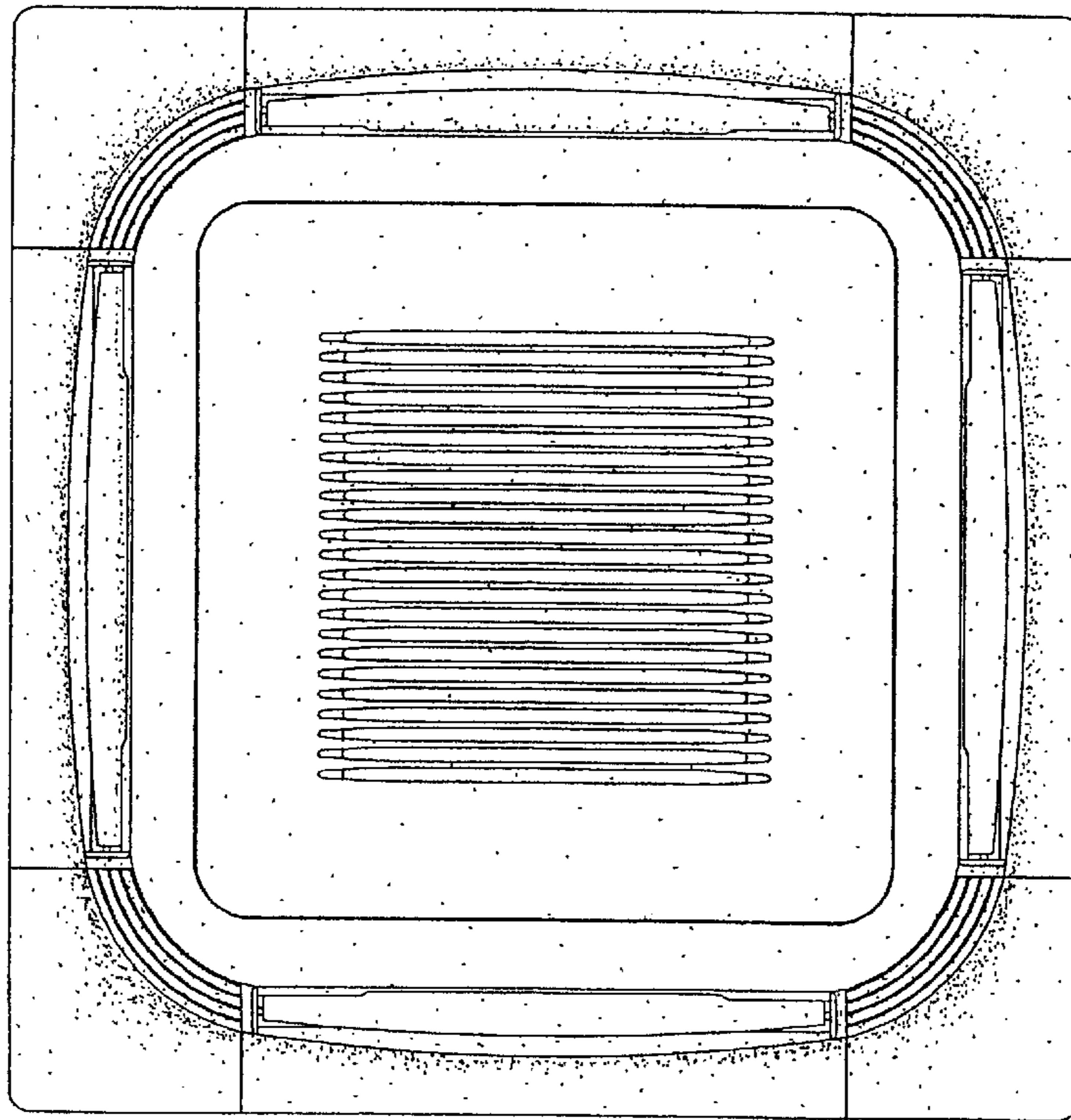


Fig. 1



7-

Fig. 2



7-

Fig. 3

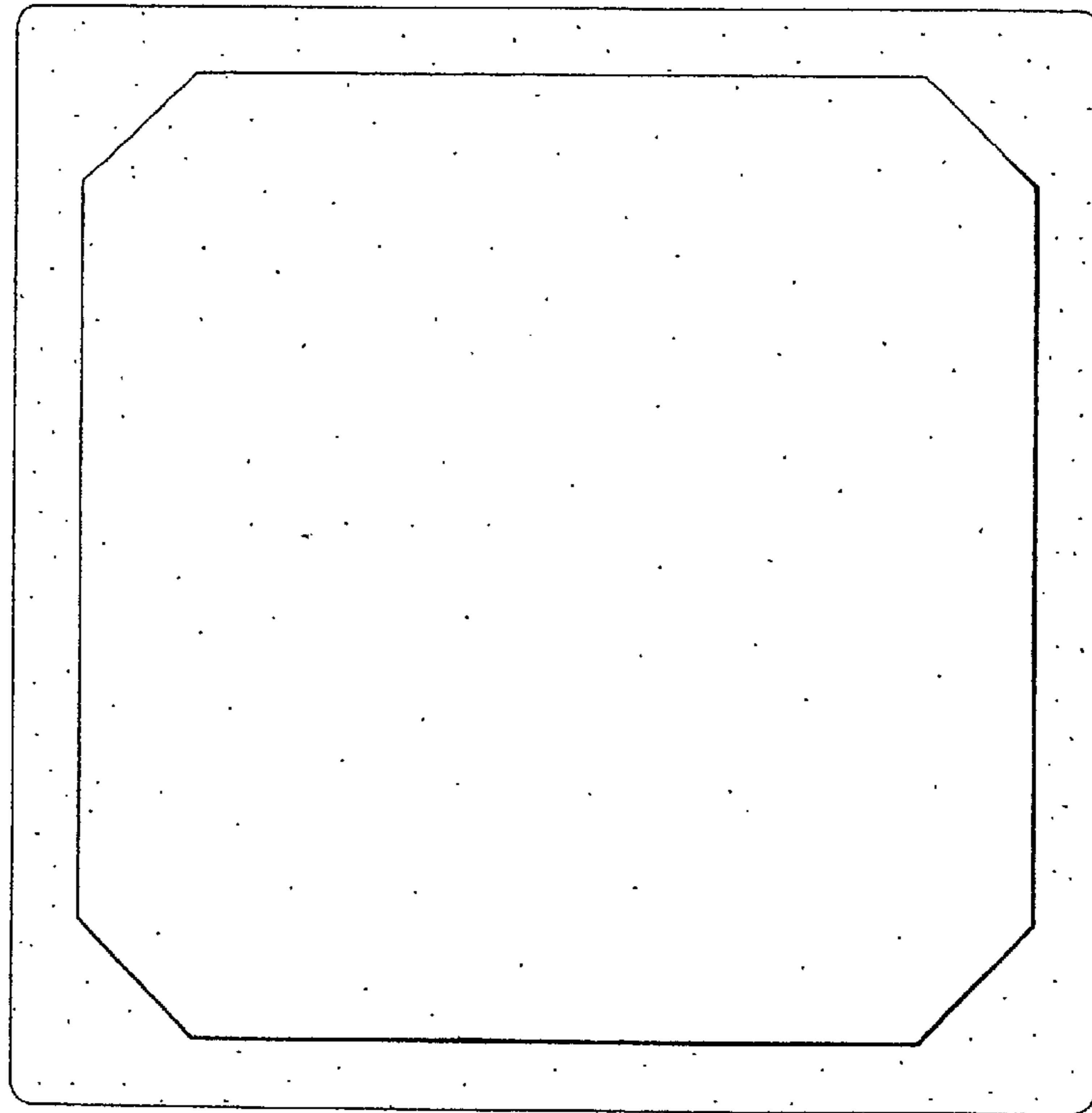


Fig. 4

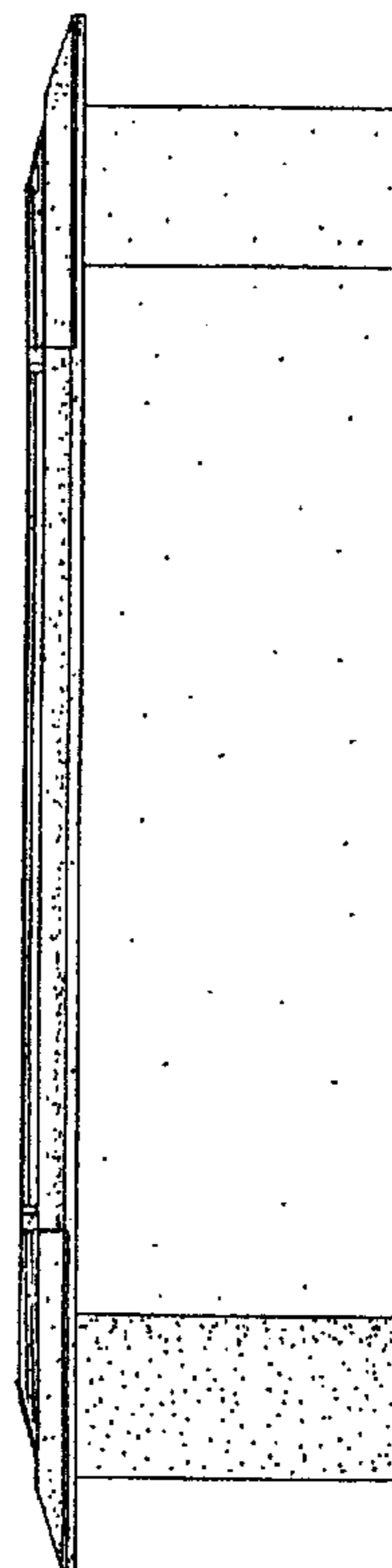


Fig. 5

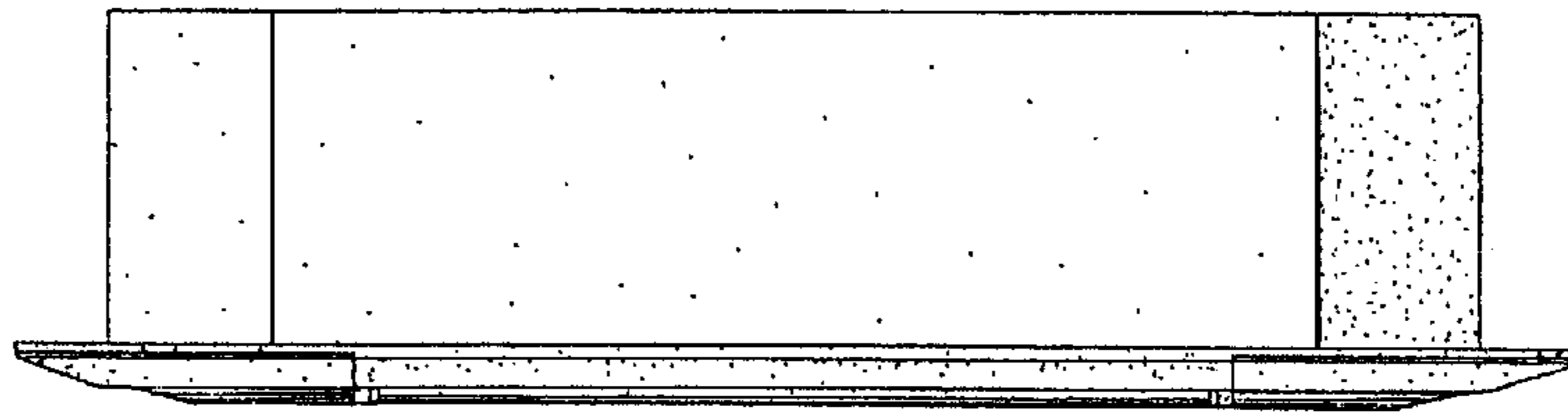


Fig. 6

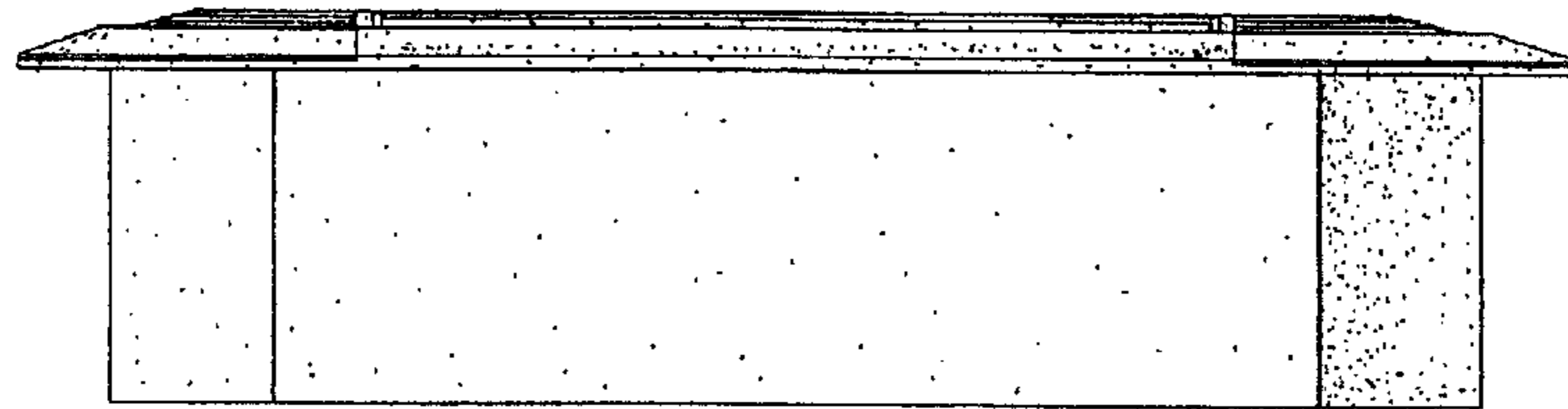


Fig. 7

