



US00D539886S

(12) **United States Design Patent**
Urfig et al.

(10) **Patent No.:** **US D539,886 S**

(45) **Date of Patent:** **** Apr. 3, 2007**

(54) **AIR COOLING DEVICE**

(75) Inventors: **Bernard Elan Urfig**, Studio City, CA (US); **Colin Sapire**, Los Angeles, CA (US)

(73) Assignee: **Misterchill, LLC**, Los Angeles, CA (US)

(**) **Term:** **14 Years**

(21) **Appl. No.:** **29/263,964**

(22) **Filed:** **Jul. 31, 2006**

5,046,329 A	9/1991	Travis, III	
5,159,819 A	11/1992	Wong	
5,314,005 A	5/1994	Dobry	
5,359,864 A	11/1994	Yamada	
RE34,867 E	* 2/1995	Yamazaki et al.	D23/351
D368,770 S	* 4/1996	Tanner et al.	D23/359
5,860,293 A	1/1999	Piro	
5,953,933 A	9/1999	Cheng	
D416,993 S	* 11/1999	Dong et al.	D23/333
D423,656 S	* 4/2000	De'Longhi	D23/333
6,192,702 B1	2/2001	Shimogori	
6,269,651 B1	8/2001	Price	
D448,070 S	* 9/2001	De'Longhi	D23/333
D448,836 S	* 10/2001	De'Longhi	D23/333
6,357,251 B1	3/2002	Marks	
2004/0011073 A1	1/2004	Blackstone	

Related U.S. Application Data

(63) Continuation-in-part of application No. 11/486,183, filed on Jul. 12, 2006, which is a continuation-in-part of application No. 11/009,922, filed on Dec. 10, 2004, now Pat. No. 7,127,910.

(51) **LOC (8) Cl.** **23-04**

(52) **U.S. Cl.** **D23/351**

(58) **Field of Classification Search** D23/351-354, D23/333, 359; 62/262-263, 259.1, 261, 297, 62/324.1, 371, 401, 457.1; 312/31, 401, 236, 312/249.1

See application file for complete search history.

(56) **References Cited**

U.S. PATENT DOCUMENTS

1,922,790 A	8/1933	Alger	
D93,401 S	9/1934	Jepertinger	
D157,840 S	3/1950	Carraway	
2,802,347 A	8/1957	Marcus	
3,774,410 A	11/1973	Hans	
4,879,880 A	11/1989	Harrison	
D319,306 S	* 8/1991	Yamazaki et al.	D23/351

* cited by examiner

Primary Examiner—Brian N Vinson

(74) *Attorney, Agent, or Firm*—Cislo & Thomas, LLP

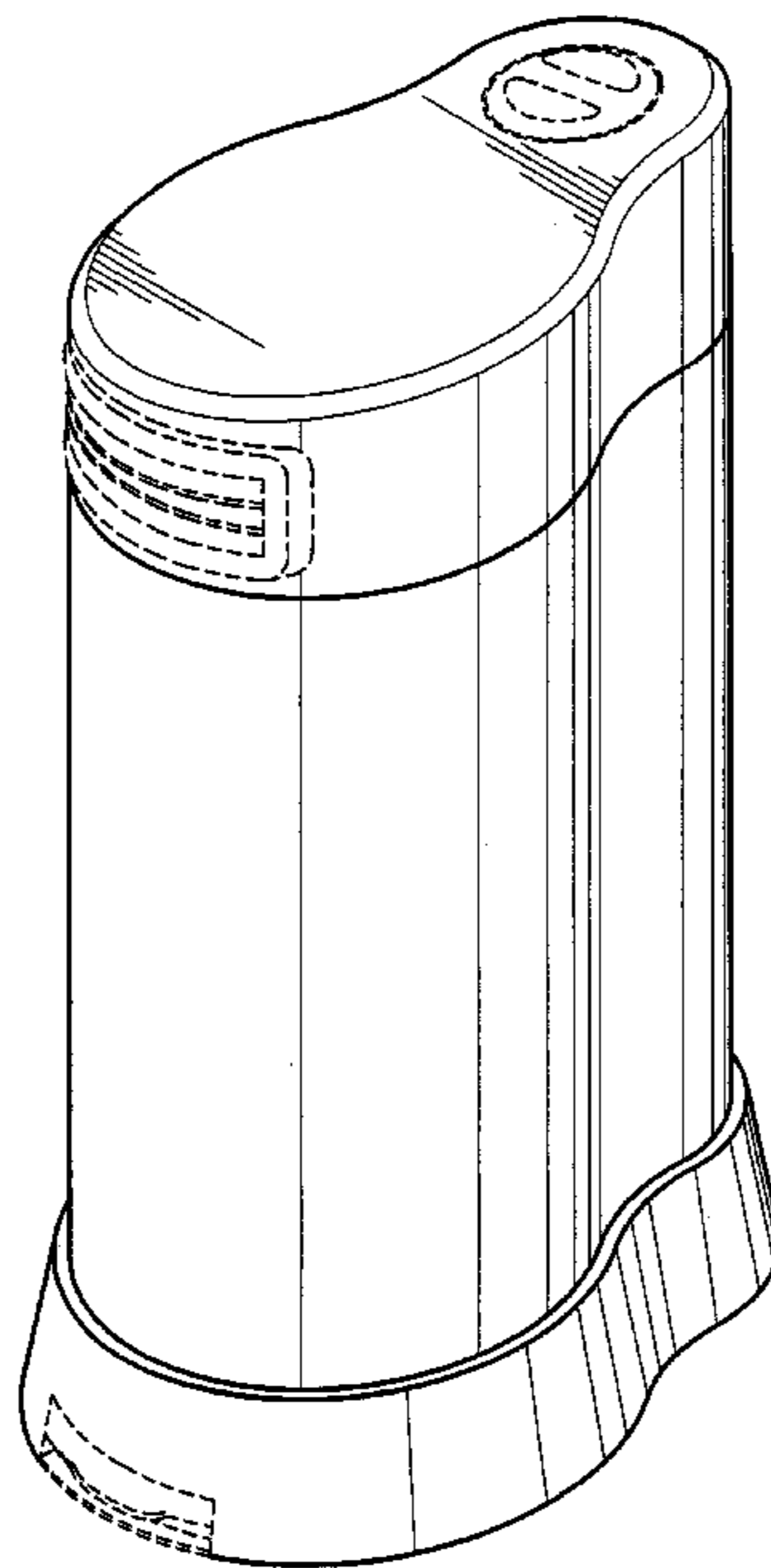
(57) **CLAIM**

We claim the ornamental design for an air cooling device, as shown and described.

DESCRIPTION

FIG. 1 is a front perspective view of the air cooling device; FIG. 2 is a rear perspective view thereof; FIG. 3 is a bottom plan view thereof; FIG. 4 is a top plan view thereof; FIG. 5 is a right side elevation view of the air cooling device with the left side being a mirror image thereof; FIG. 6 is a front elevation view thereof; and, FIG. 7 is a rear elevation view thereof. The broken lines showing environment in the drawings are for illustrative purposes only and form no part of the claimed design.

1 Claim, 4 Drawing Sheets



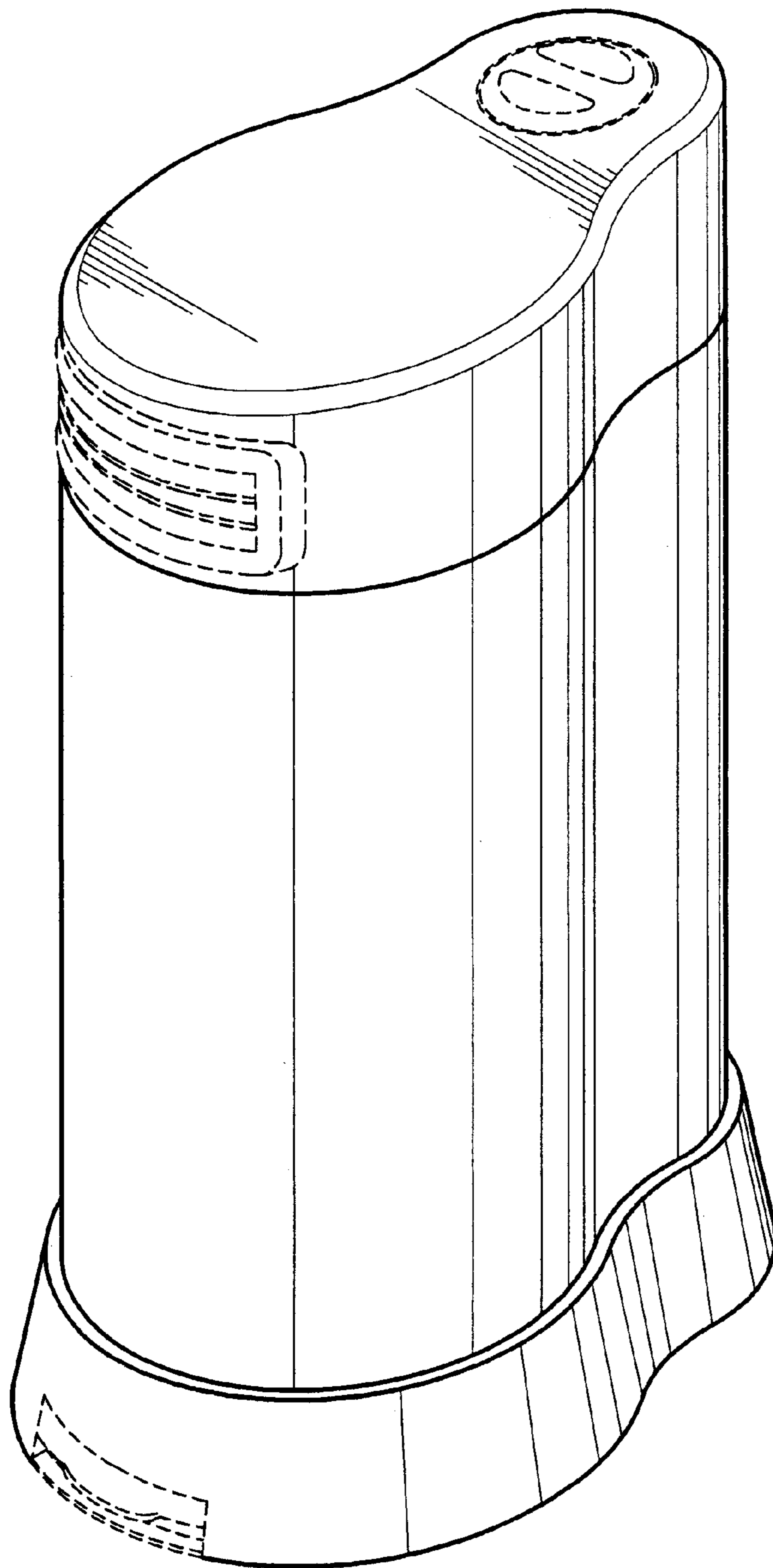


FIG. 1

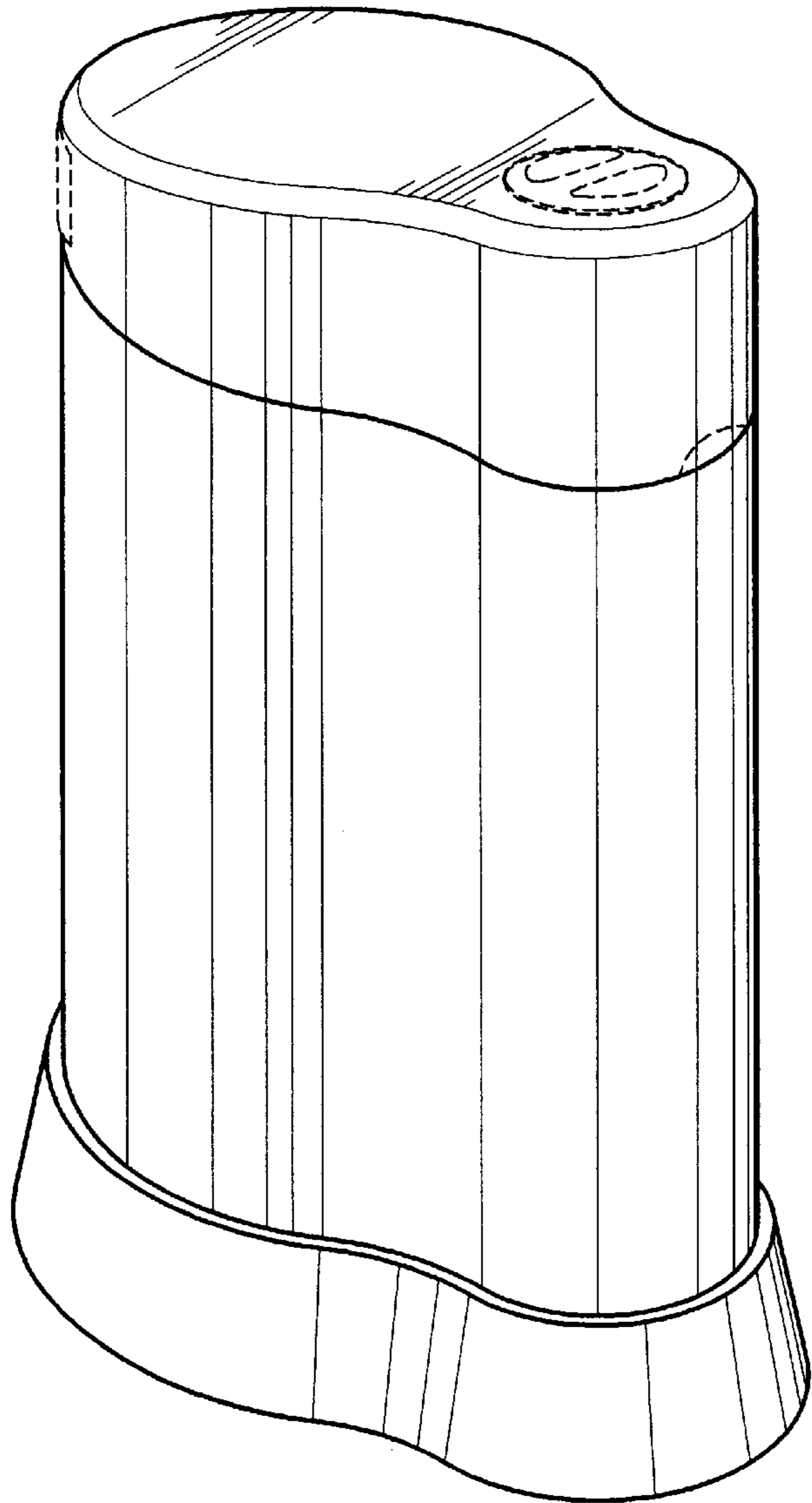


FIG. 2

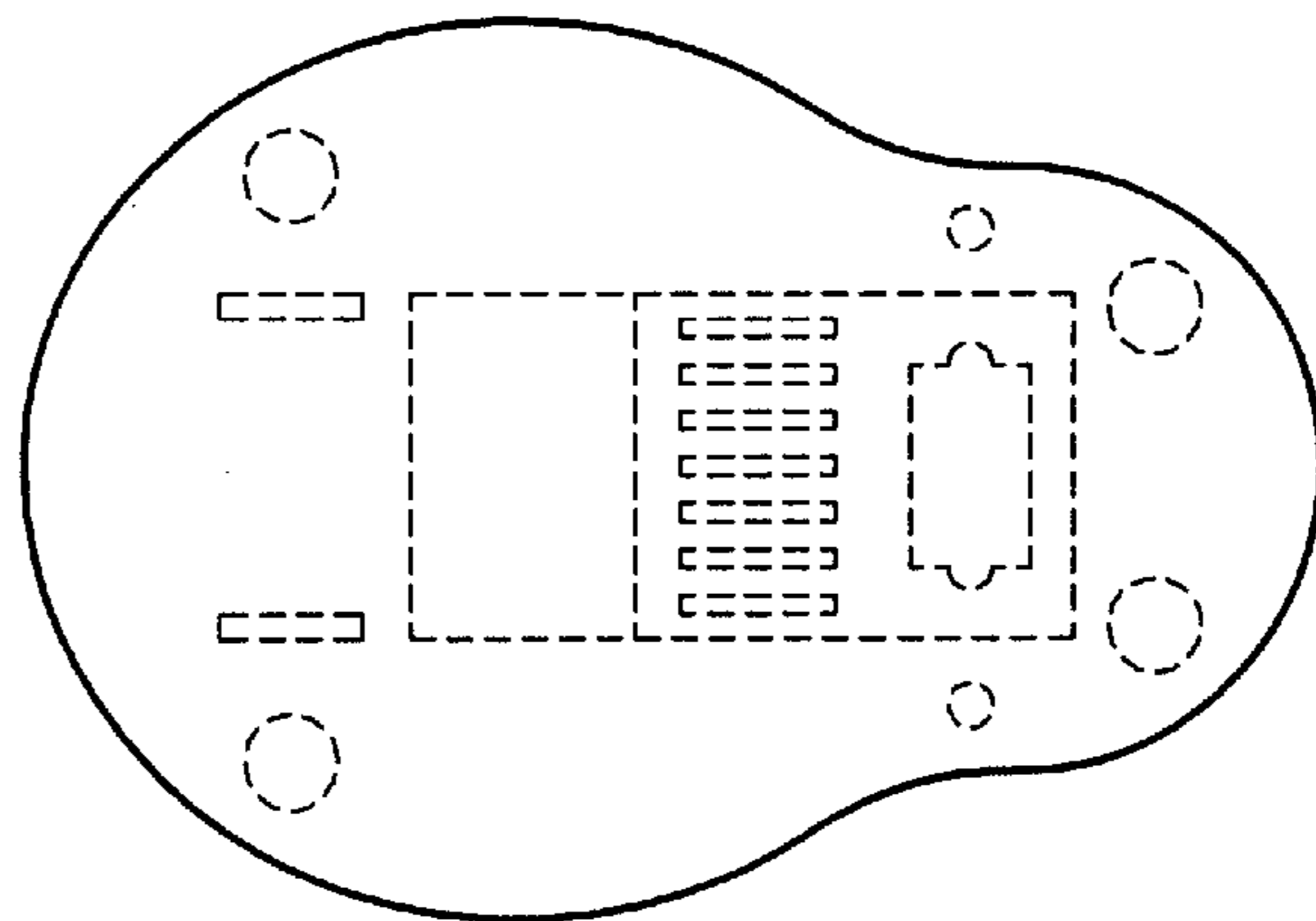


FIG. 3

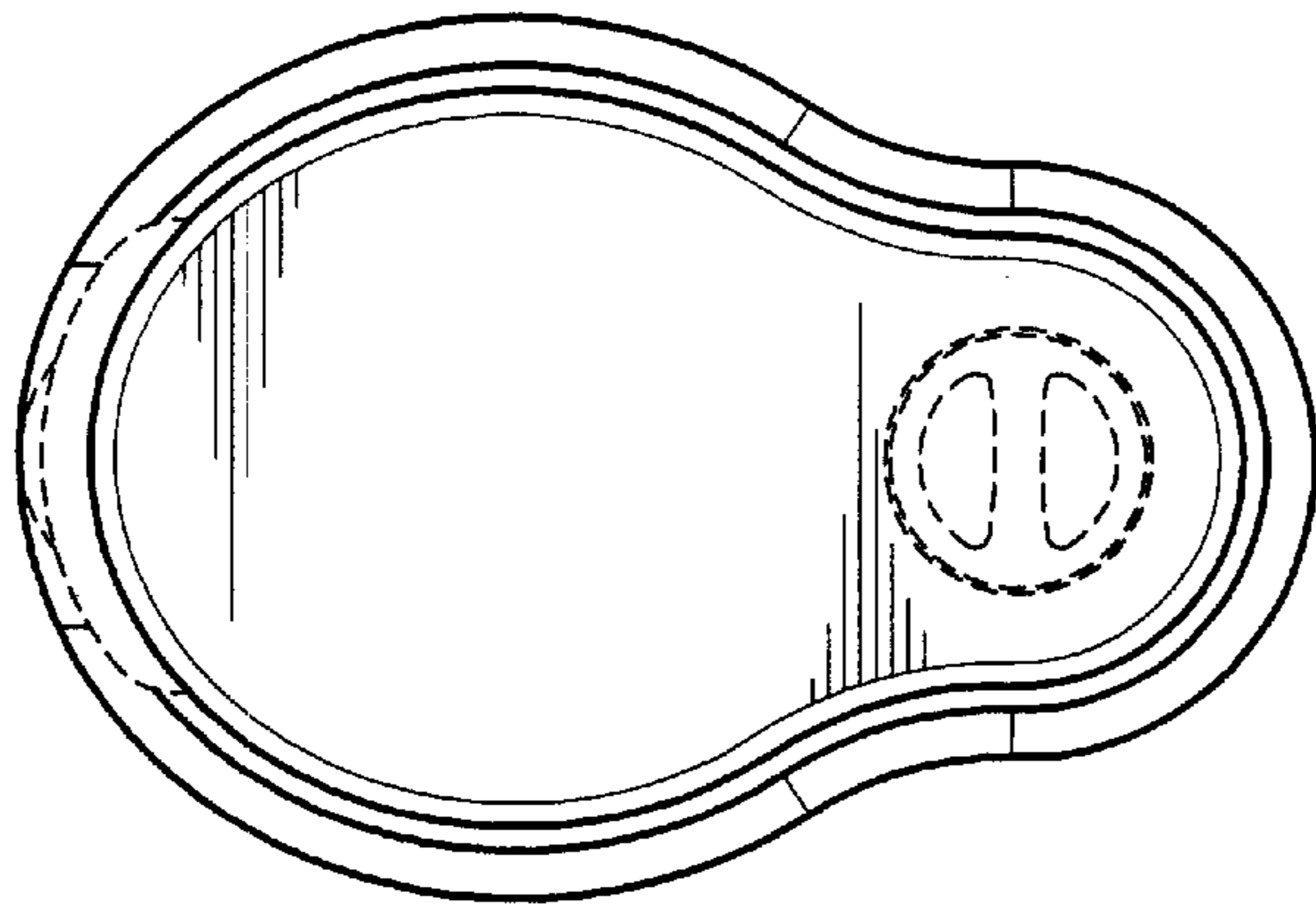


FIG. 4

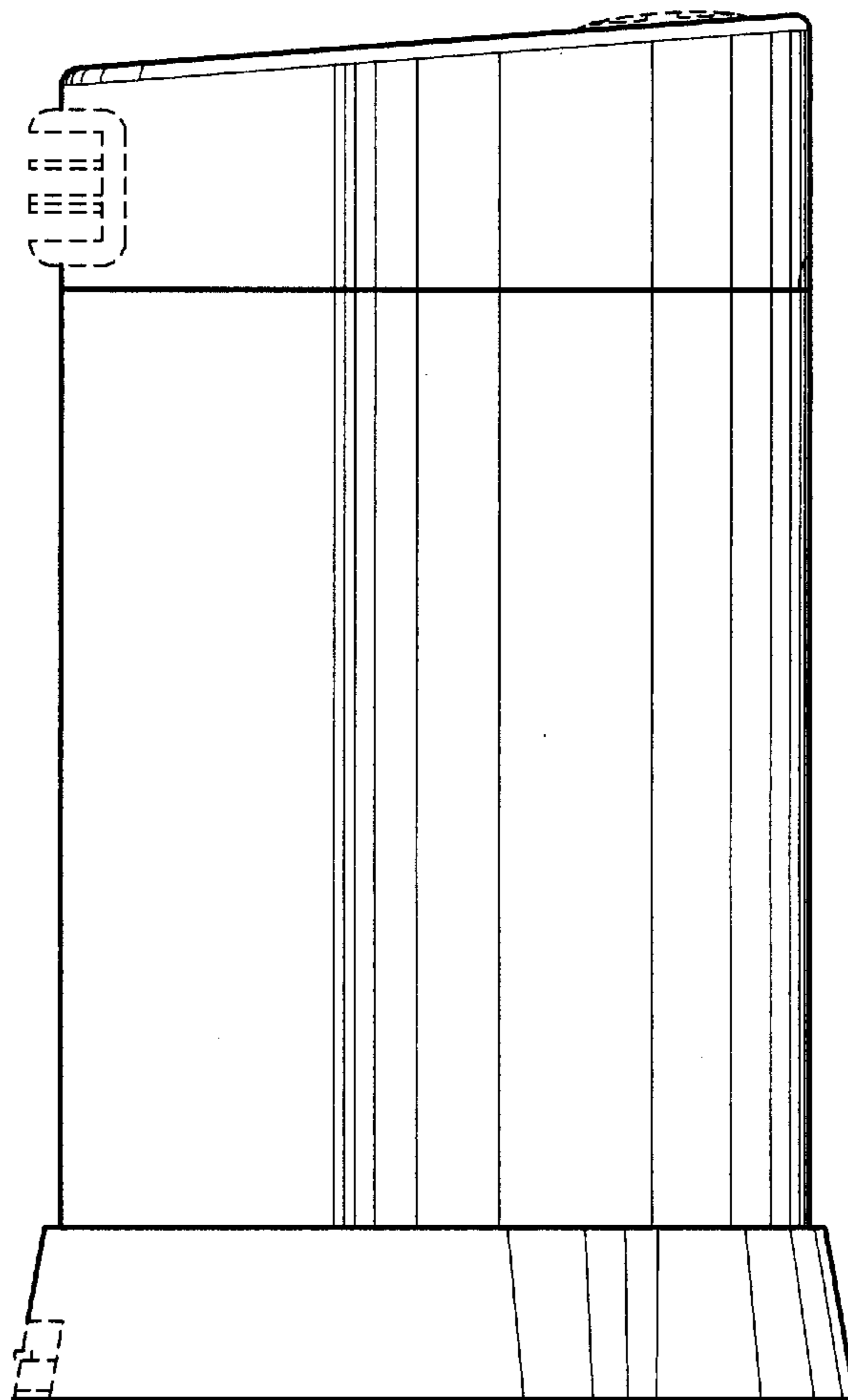


FIG. 5

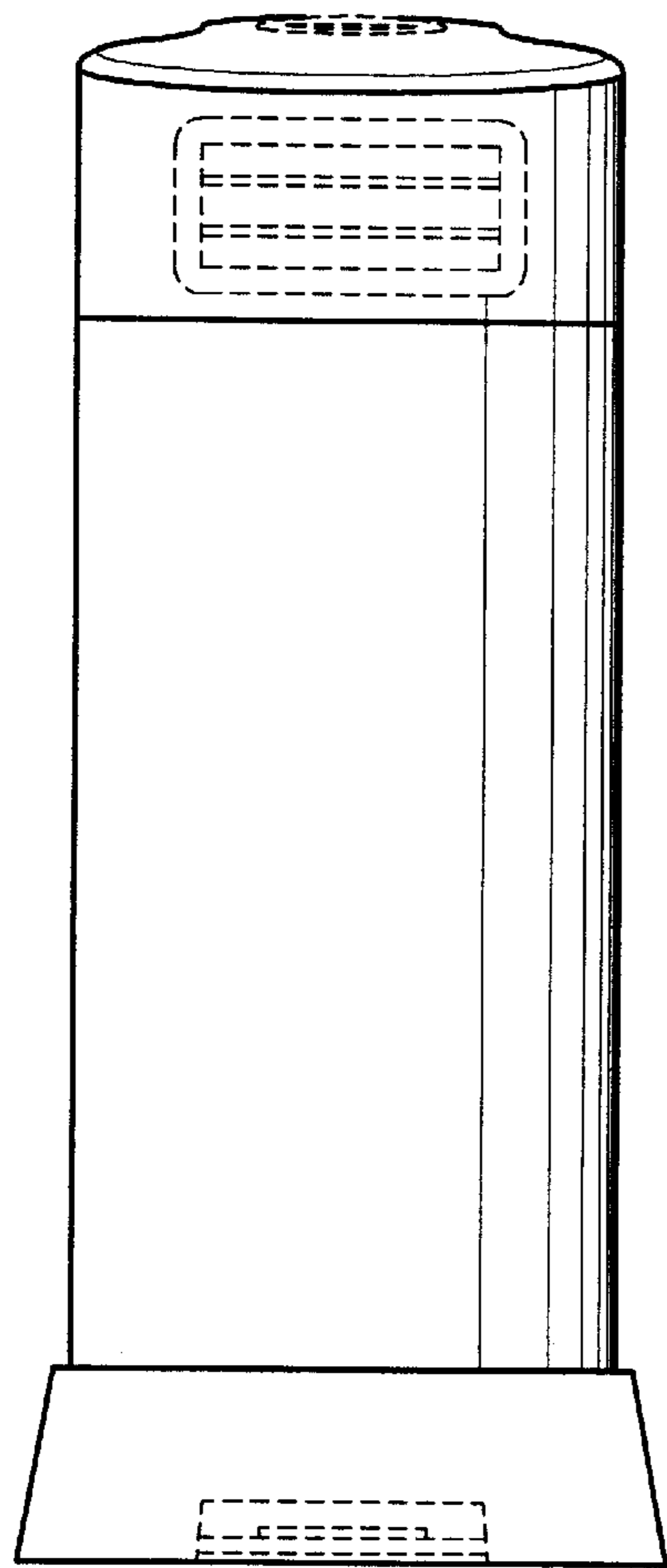


FIG. 6

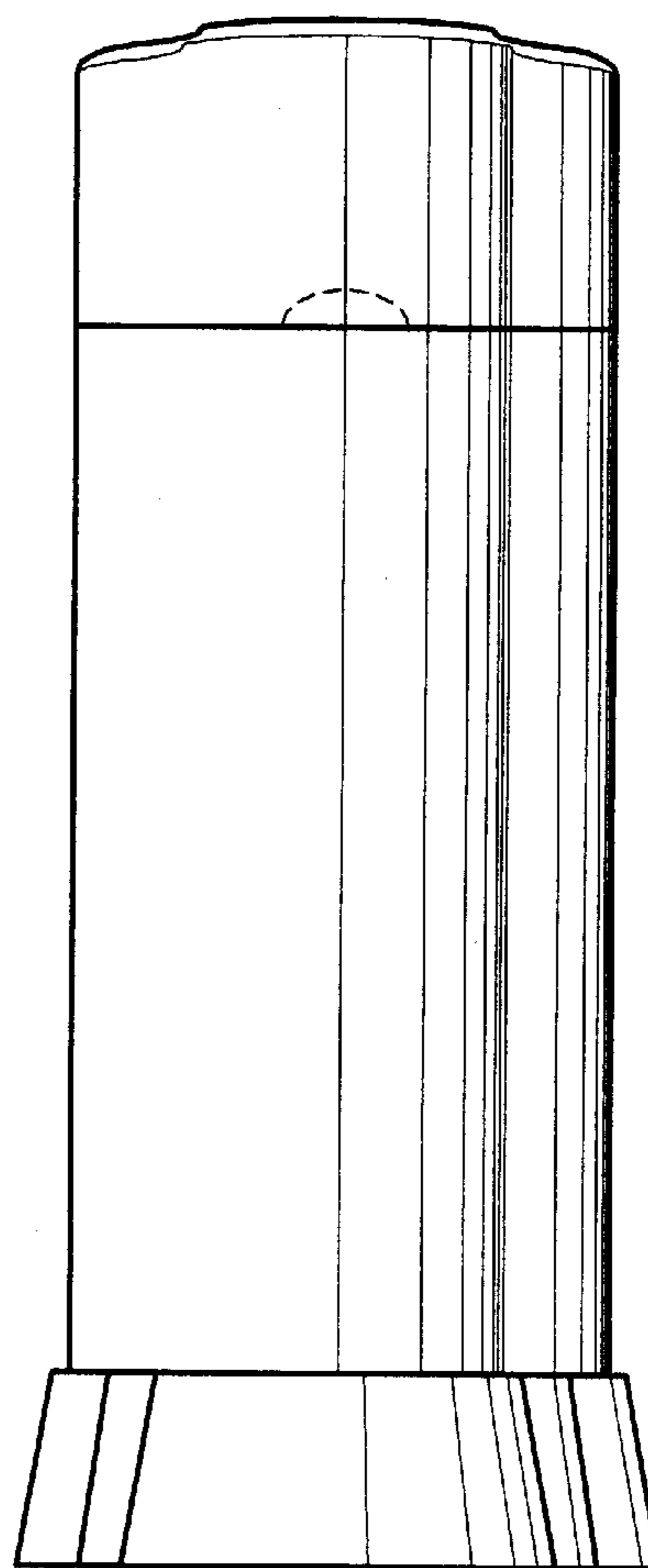


FIG. 7