



US00D539880S

(12) **United States Design Patent**
Johnson, I

(10) **Patent No.:** **US D539,880 S**

(45) **Date of Patent:** **** Apr. 3, 2007**

(54) **SPLASH GUARD FOR BATH TUBS AND THE LIKE**

(75) Inventor: **Leonard C. Johnson, I**, 3827 N. Country Dr., Antelope, CA (US) 95843

(73) Assignee: **Leonard C. Johnson, I**, Antelope, CA (US)

(**) Term: **14 Years**

(21) Appl. No.: **29/236,637**

(22) Filed: **Aug. 22, 2005**

(51) **LOC (8) Cl.** **23-02**

(52) **U.S. Cl.** **D23/307**

(58) **Field of Classification Search** D23/271, D23/273, 275-277, 280.1, 303-304, 307; D24/204-205; 4/538, 592-593, 661
See application file for complete search history.

(56) **References Cited**

U.S. PATENT DOCUMENTS

1,807,107	A	5/1931	Sternbergh	
3,724,000	A	* 4/1973	Eakman	4/609
3,855,642	A	* 12/1974	Blitch	4/609
D238,490	S	* 1/1976	Blitch	D23/307
3,952,337	A	4/1976	Hansow	
3,984,880	A	10/1976	Schrameyer	

4,189,790	A	2/1980	Masters, III	
D297,454	S	* 8/1988	Walton	D23/307
D306,900	S	* 3/1990	Walton	D23/307
D312,301	S	* 11/1990	Brown	D23/307
D362,054	S	* 9/1995	Amnay	D23/307
5,606,752	A	* 3/1997	Shenton et al.	4/609
D389,232	S	1/1998	Pangowski	
D406,328	S	* 3/1999	Speirs et al.	D23/307
5,991,941	A	11/1999	Rivet	

* cited by examiner

Primary Examiner—Robert A. Delehanty

(57) **CLAIM**

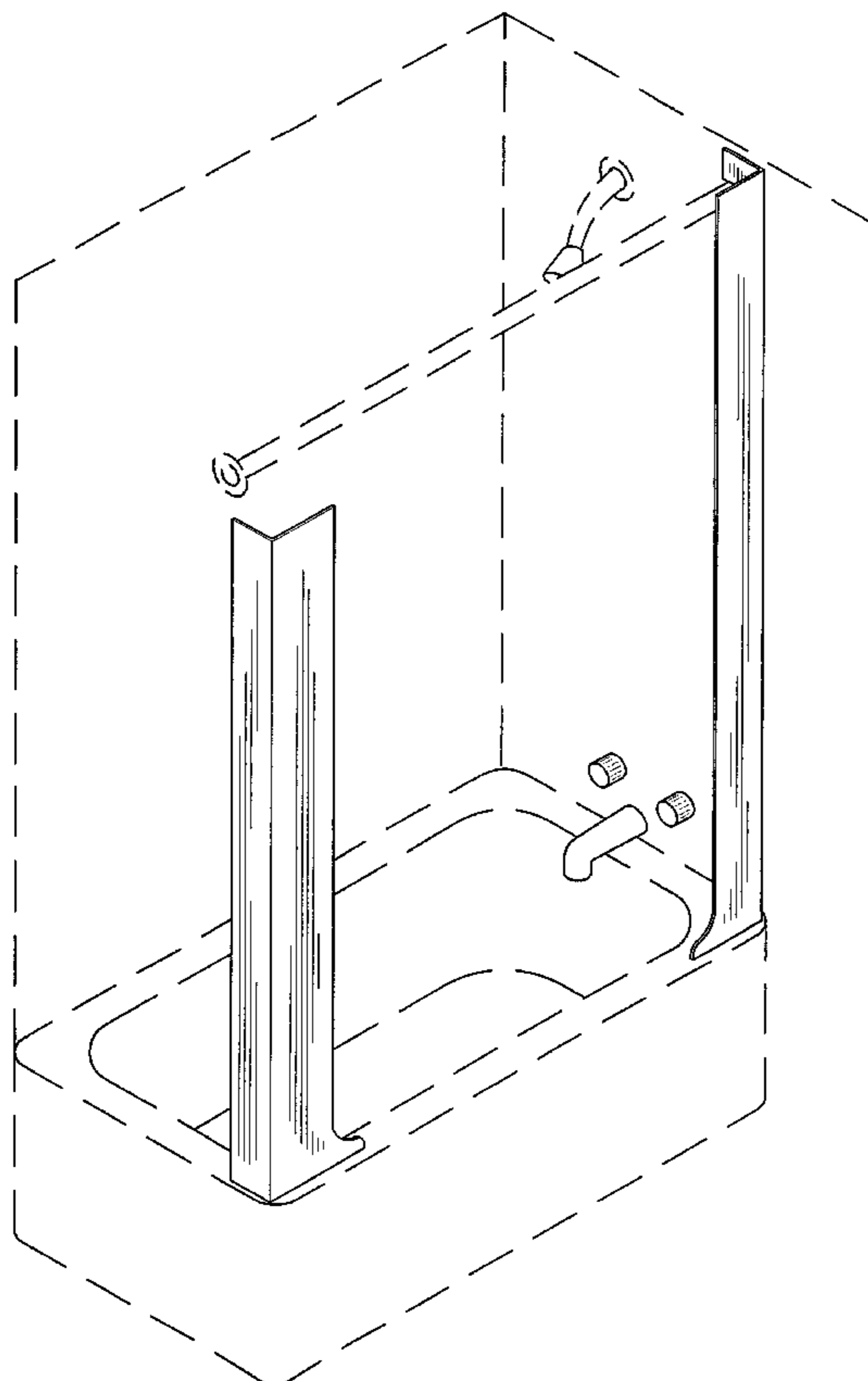
The ornamental design for a splash guard for bath tubs and the like, as shown and described.

DESCRIPTION

FIG. 1 is a front elevational view of a splash guard for bath tubs and the like showing my new design; FIG. 2 is a rear elevational view thereof; FIG. 3 is a left side elevational view thereof; FIG. 4 is a right side elevational view thereof; FIG. 5 is a top plan view thereof; FIG. 6 is a bottom plan view thereof; and, FIG. 7 is a perspective view thereof.

The broken line showing of tub environment is for illustrative purposes only and forms no part of the claimed design.

1 Claim, 3 Drawing Sheets



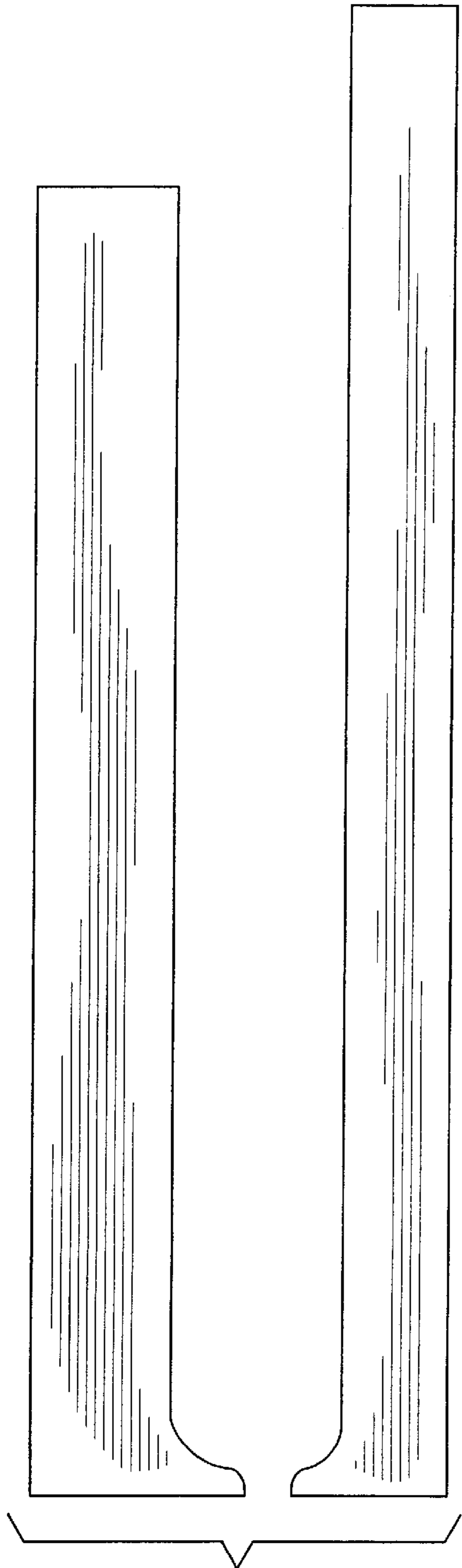


FIG. 1

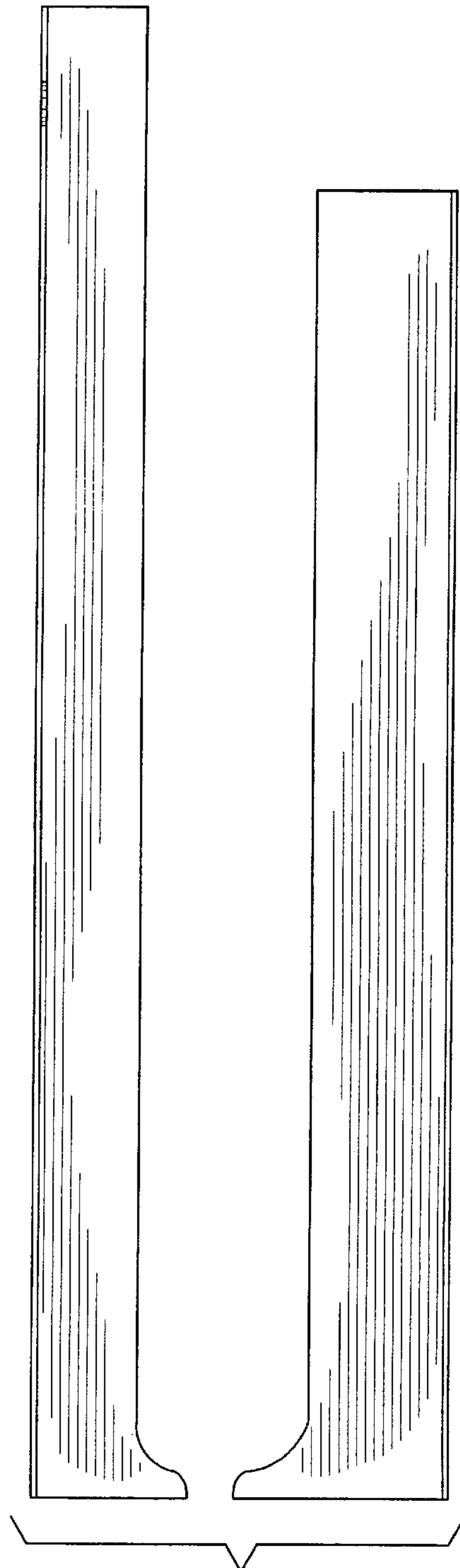
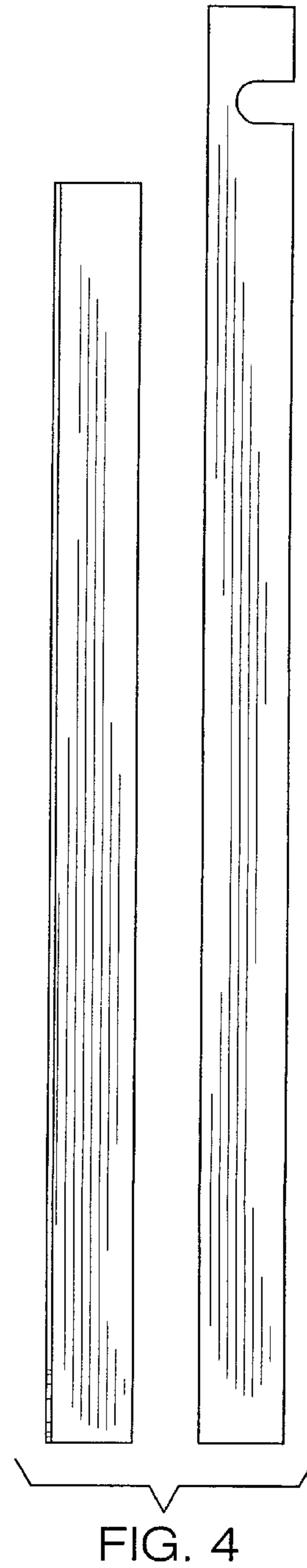
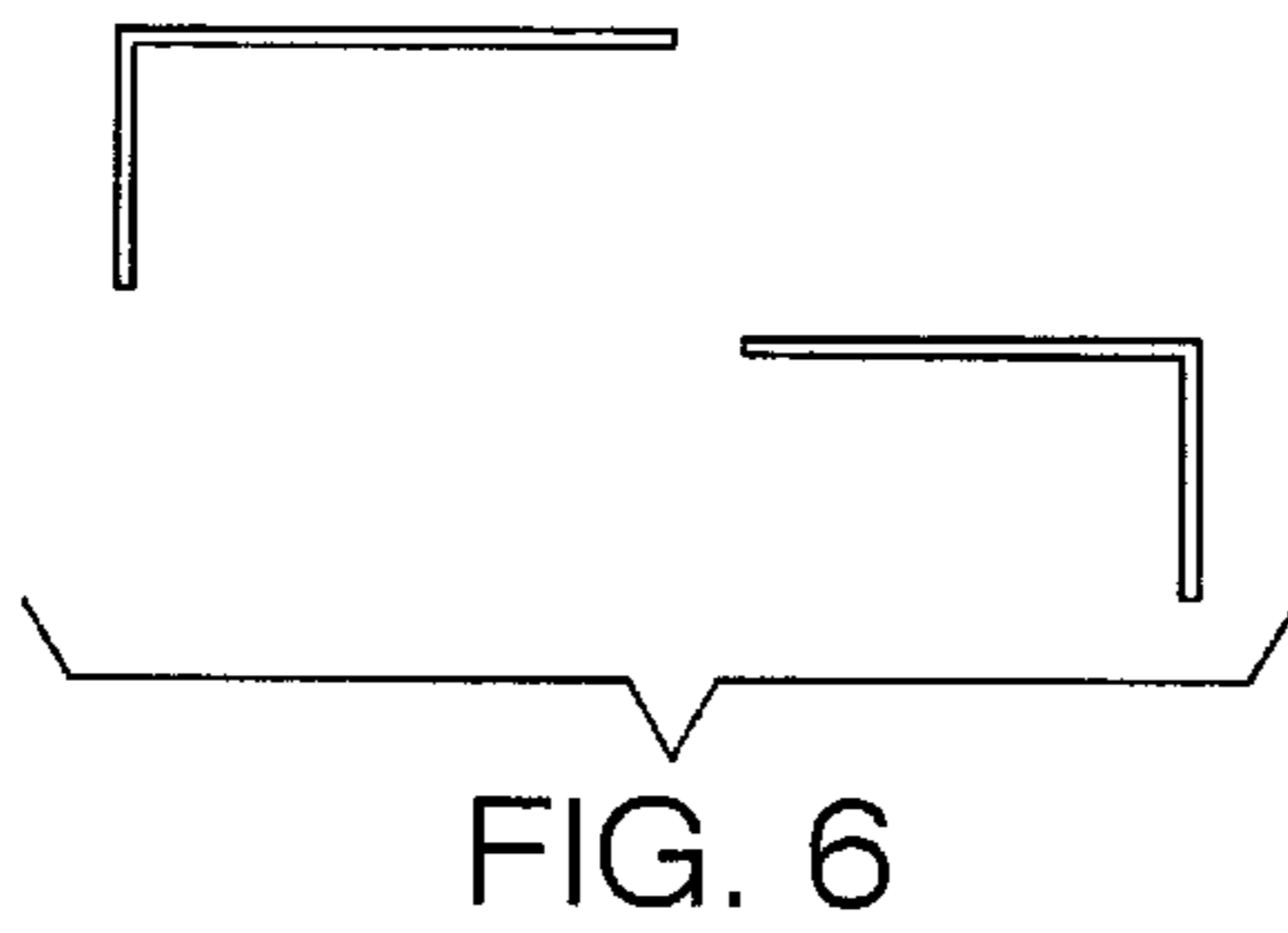
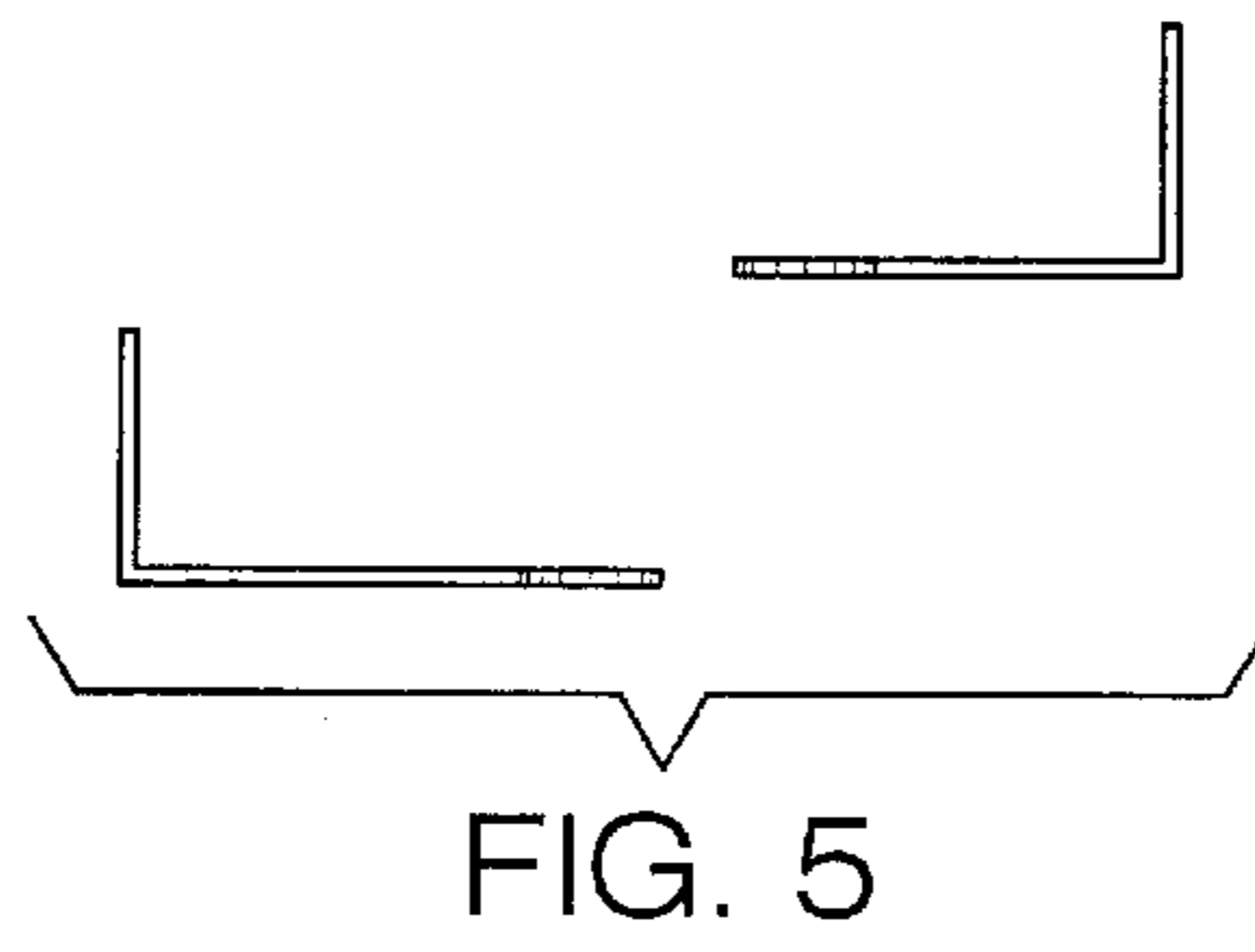
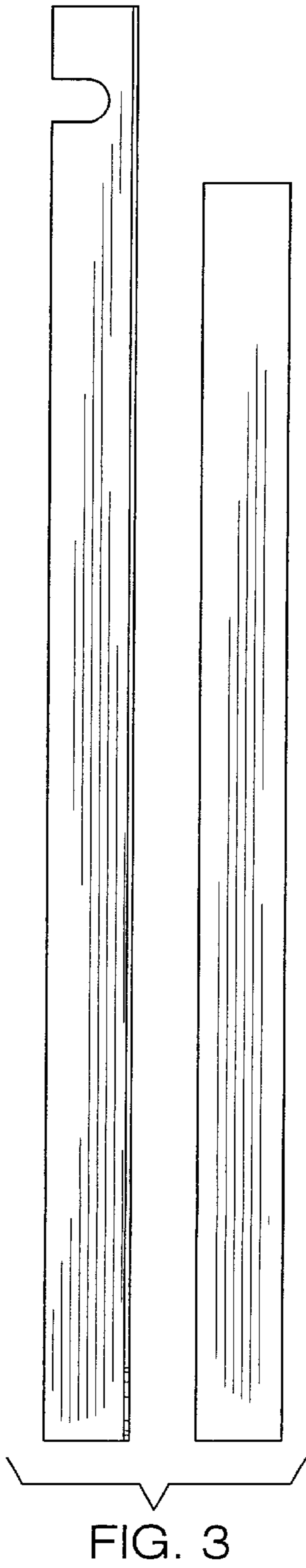


FIG. 2



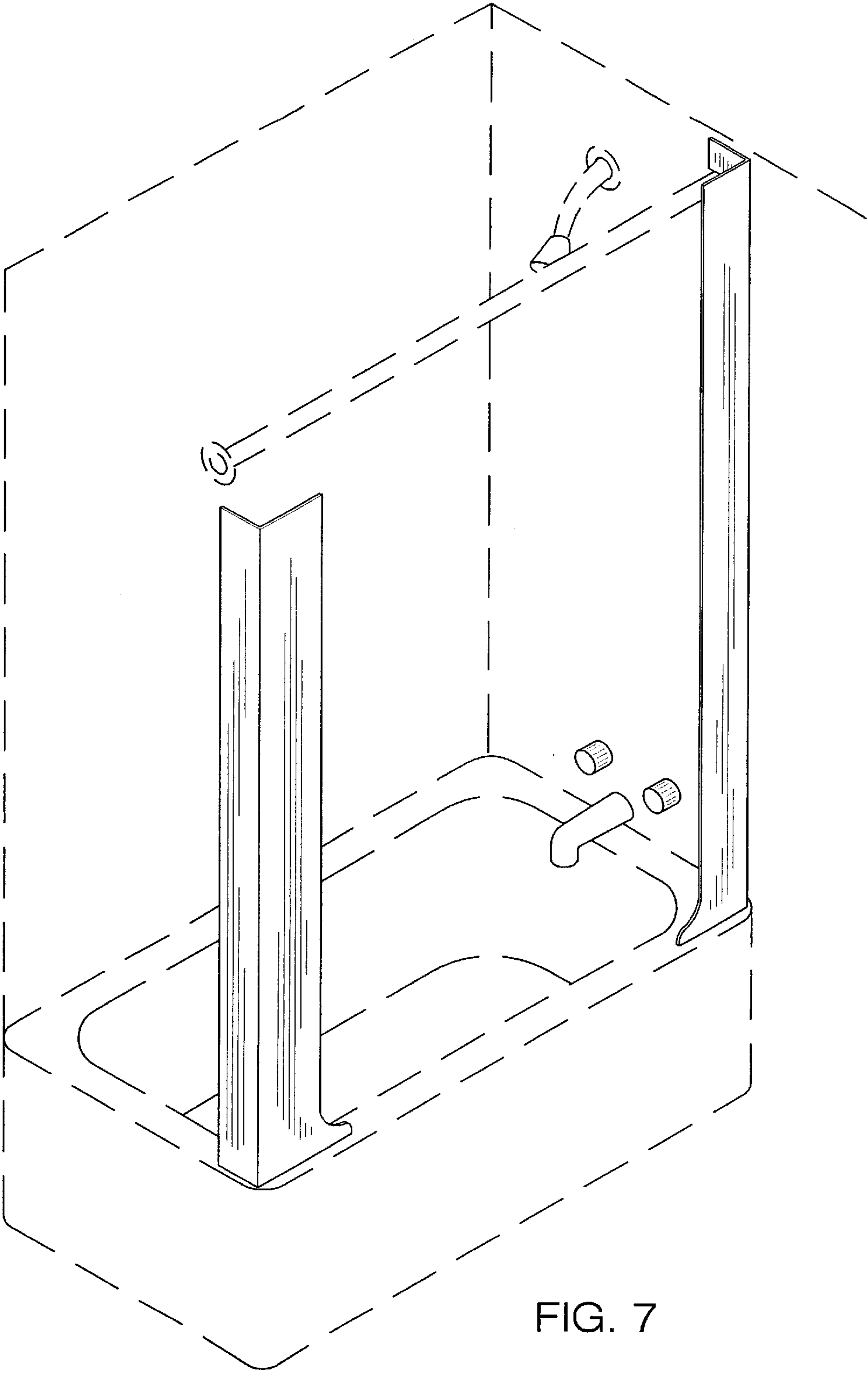


FIG. 7