

US00D539879S

(12) **United States Design Patent**  
**Stein**

(10) **Patent No.:** **US D539,879 S**

(45) **Date of Patent:** **\*\* Apr. 3, 2007**

(54) **BATHROOM BASIN**

D507,334 S \* 7/2005 Ferrer Beltran ..... D23/293.1

(76) Inventor: **Michael Stein**, Im Birkenbusch 66,  
41472 Neuss (DE)

\* cited by examiner

(\*\*) Term: **14 Years**

*Primary Examiner*—Robert A. Delehanty  
(74) *Attorney, Agent, or Firm*—Milde & Hoffberg, LLP

(21) Appl. No.: **29/260,330**

(57) **CLAIM**

(22) Filed: **May 23, 2006**

The ornamental design for a bathroom basin, as shown and described.

(30) **Foreign Application Priority Data**

Nov. 23, 2005 (EM) ..... 000435581

**DESCRIPTION**

(51) **LOC (8) Cl.** ..... **23-02**

FIG. 1 is a perspective view of the bathroom basin according to my design.

(52) **U.S. Cl.** ..... **D23/293.1**

FIG. 2 is a front view of the bathroom basin of FIG. 1.

(58) **Field of Classification Search** ..... D23/270–271,

FIG. 3 is a rear view of the bathroom basin of FIG. 1.

D23/273, 284–287, 291, 293.1, 303, 308;

FIG. 4 is a right side view of the bathroom basin of FIG. 1.

4/619, 624–625, 630, 661, DIG. 15; D21/524

FIG. 5 is a left side view of the bathroom basin of FIG. 1.

See application file for complete search history.

FIG. 6 is a top plan view of the bathroom basin of FIG. 1;

and,

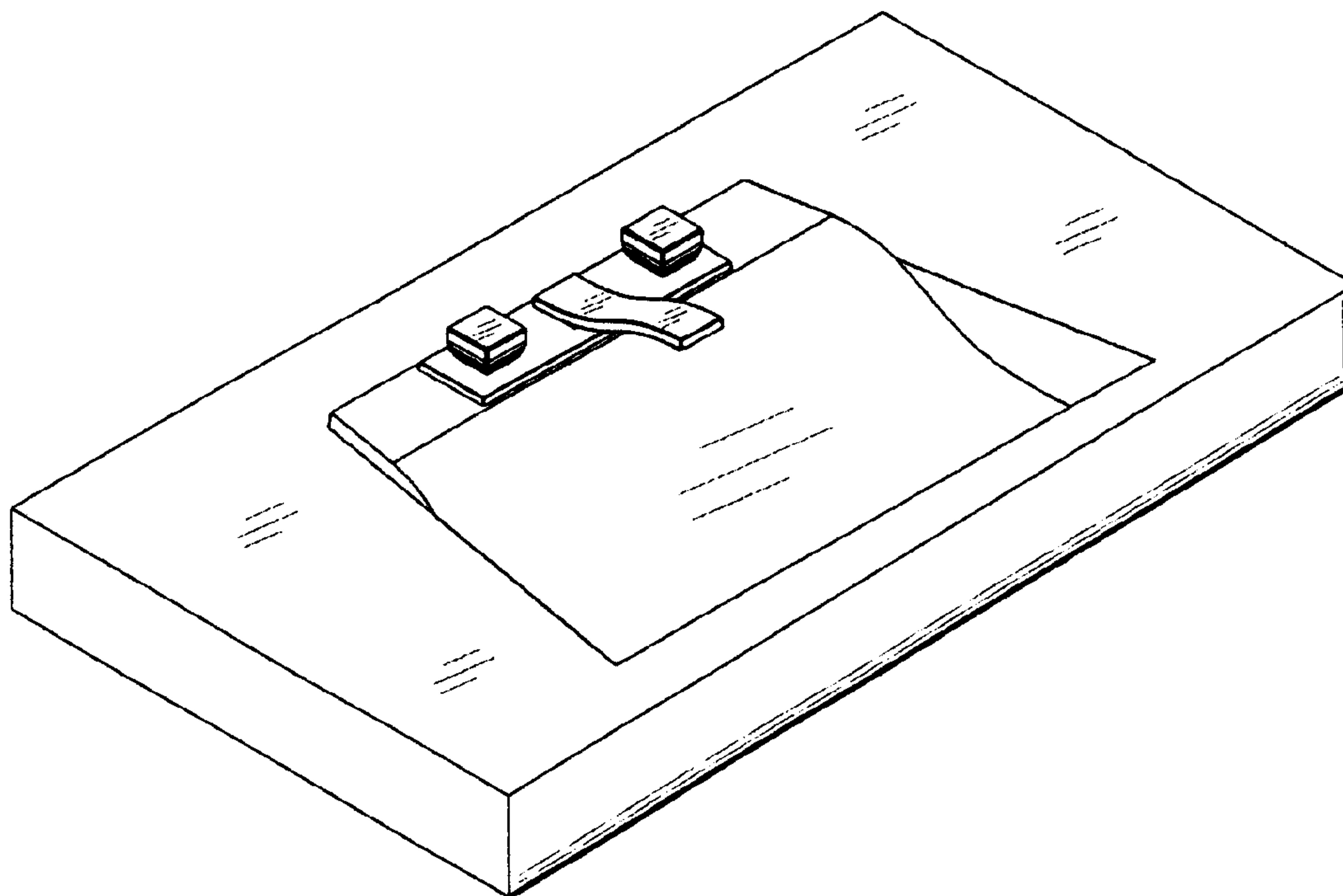
(56) **References Cited**

FIG. 7 is a bottom view of the bathroom basin of FIG. 1.

**U.S. PATENT DOCUMENTS**

D507,043 S \* 7/2005 Ferrer Beltran ..... D23/293.1

**1 Claim, 7 Drawing Sheets**



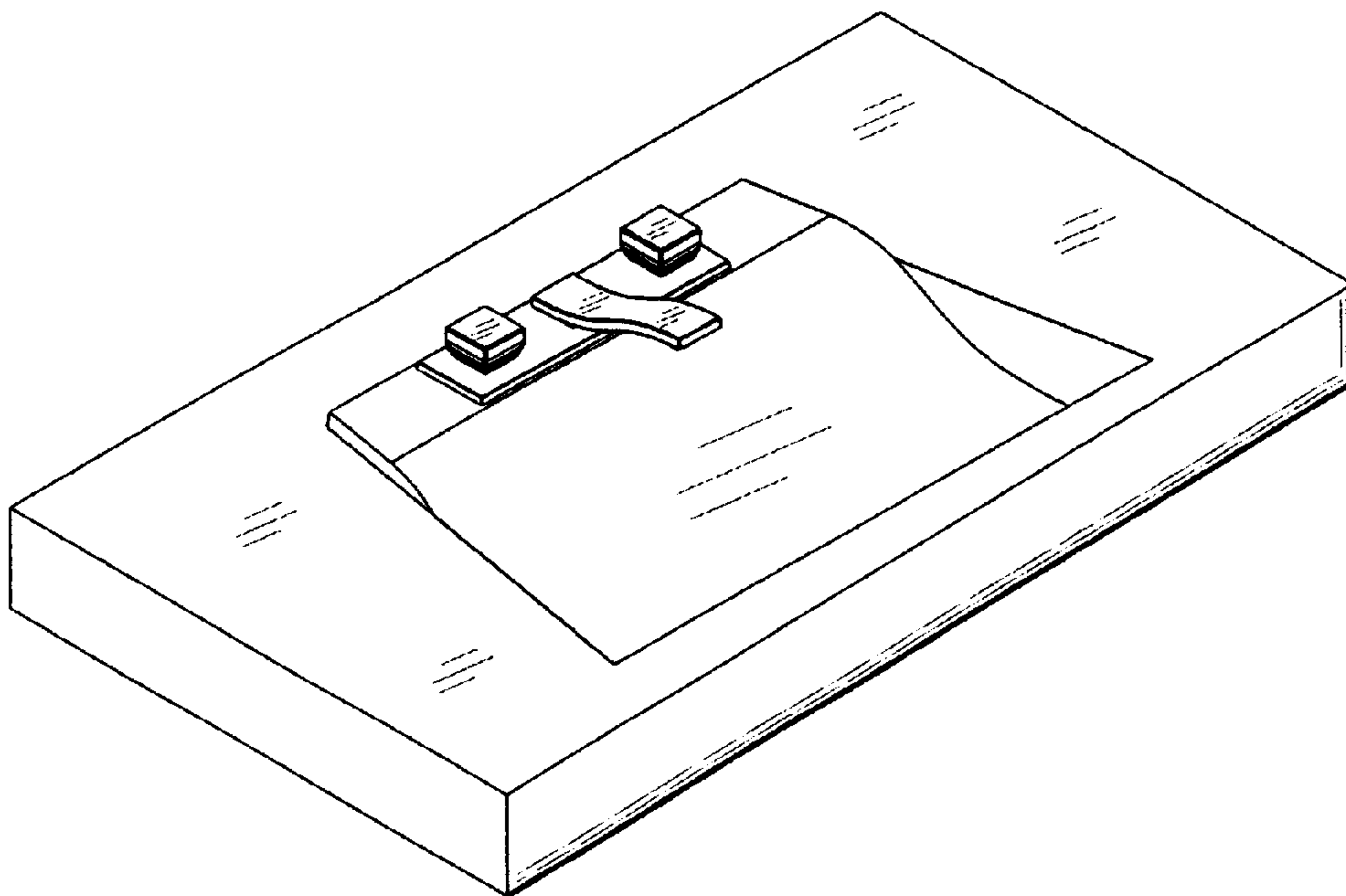


Fig. 1

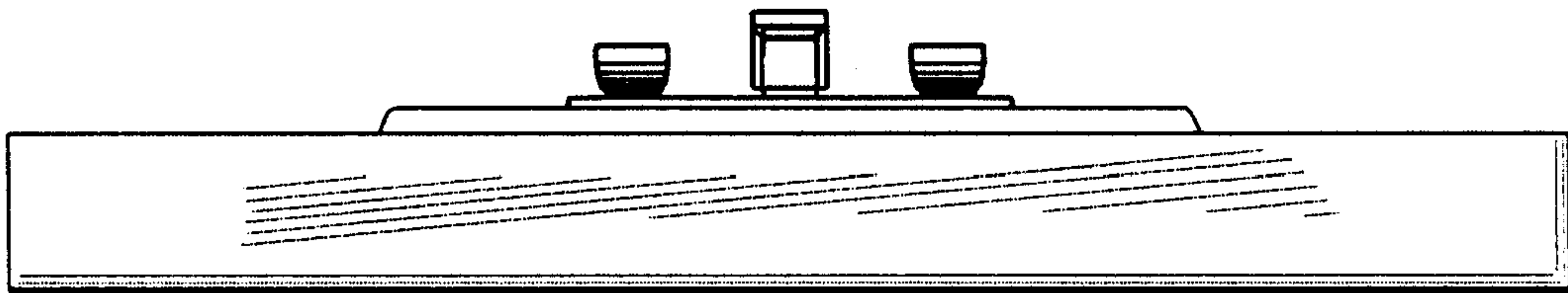


Fig. 2

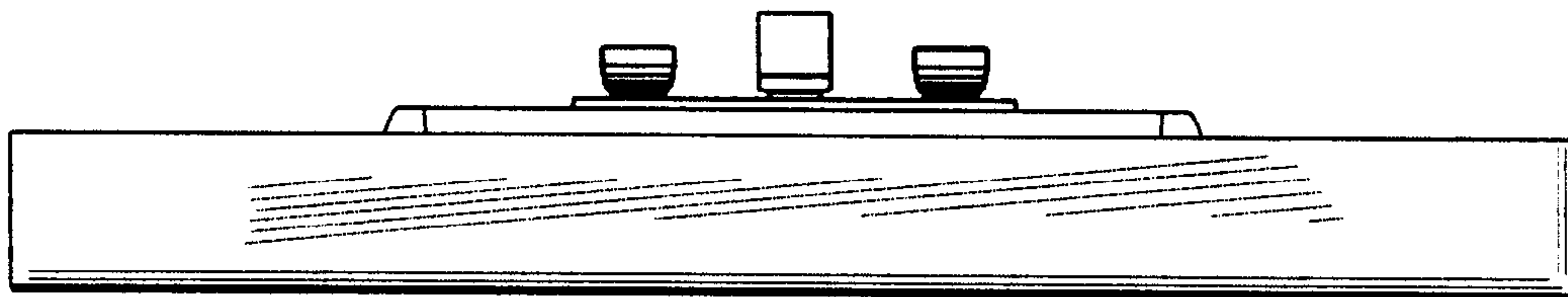


Fig. 3

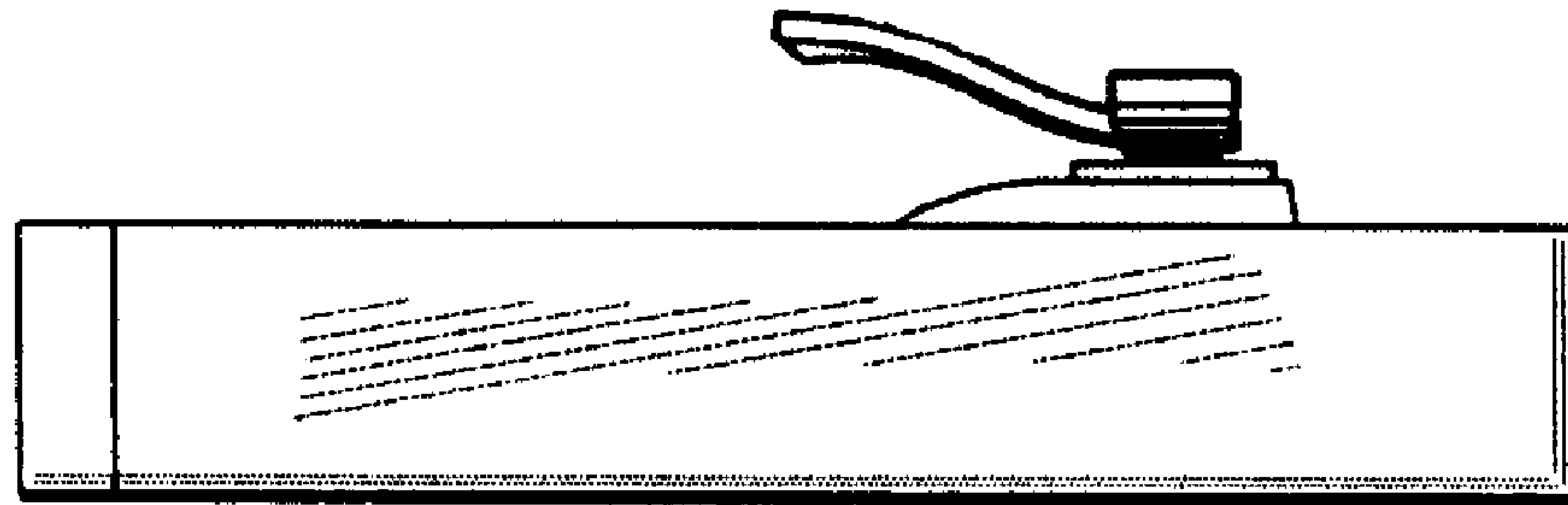


Fig. 4

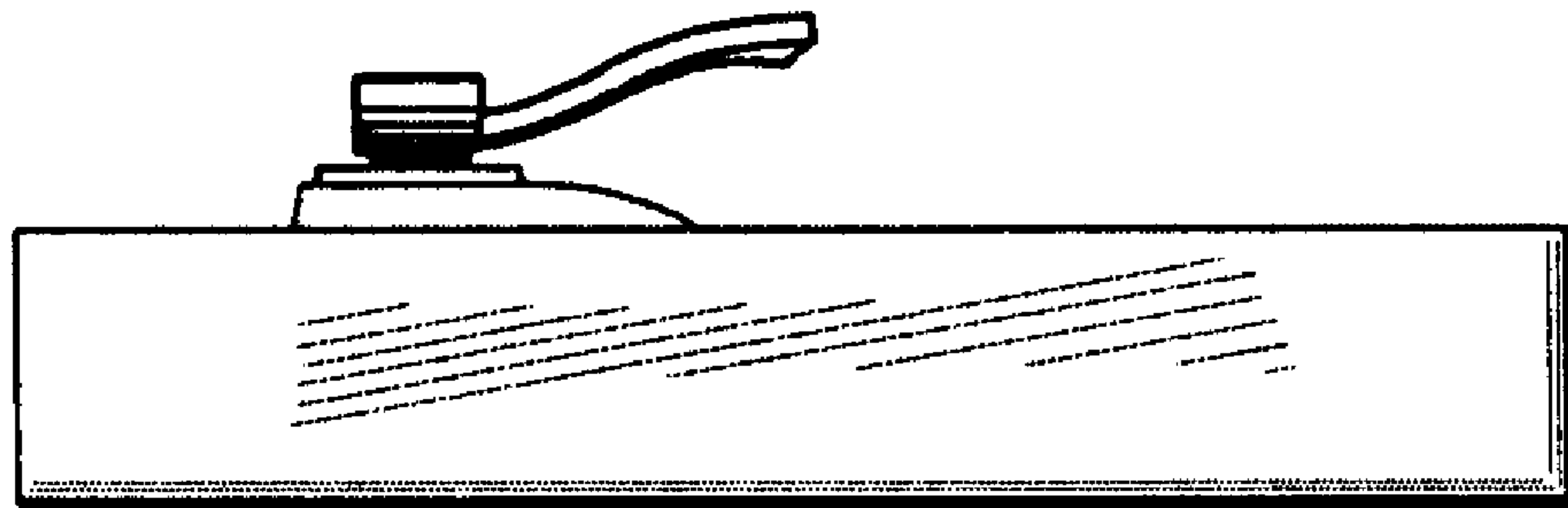


Fig. 5

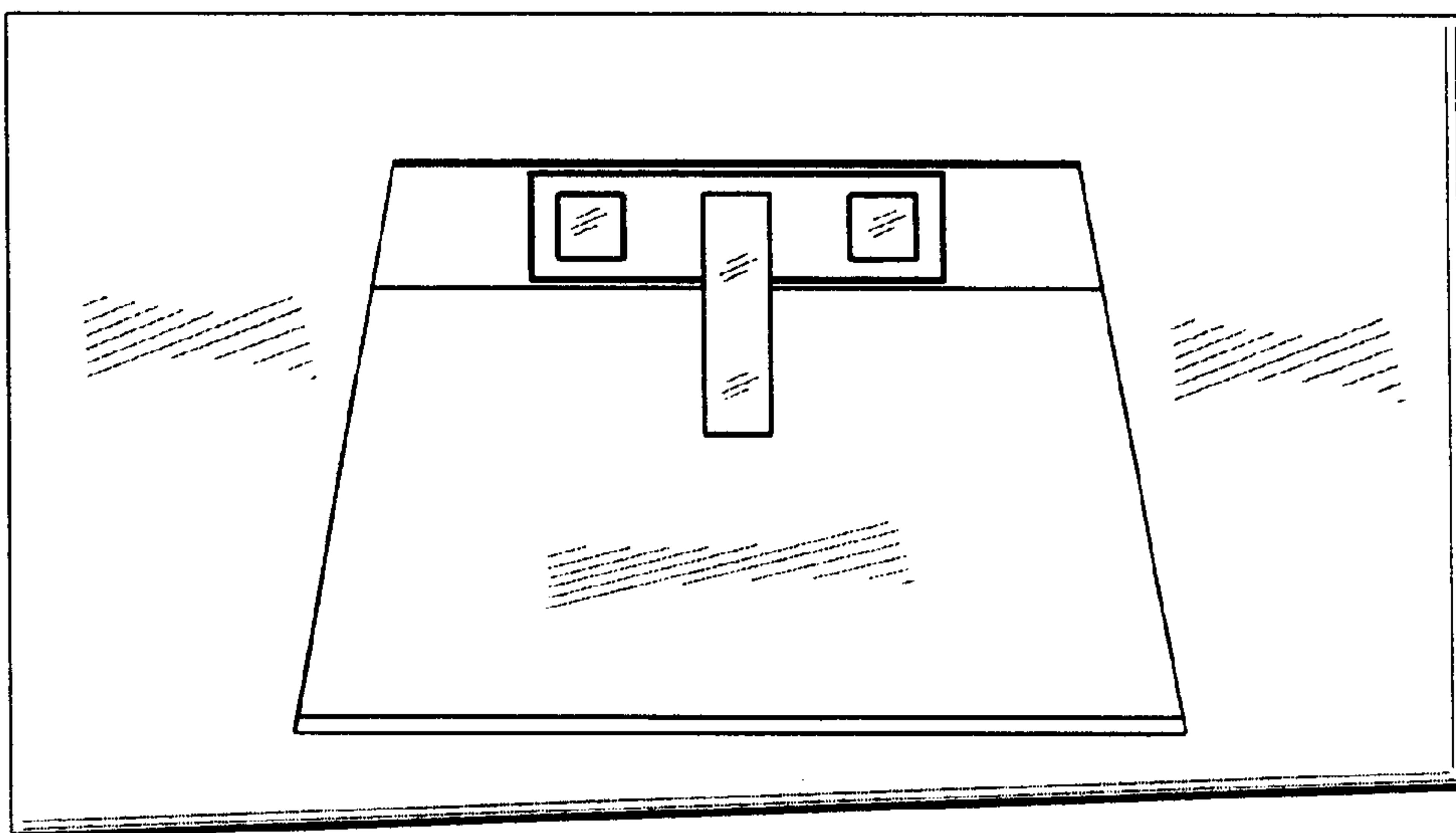


Fig. 6

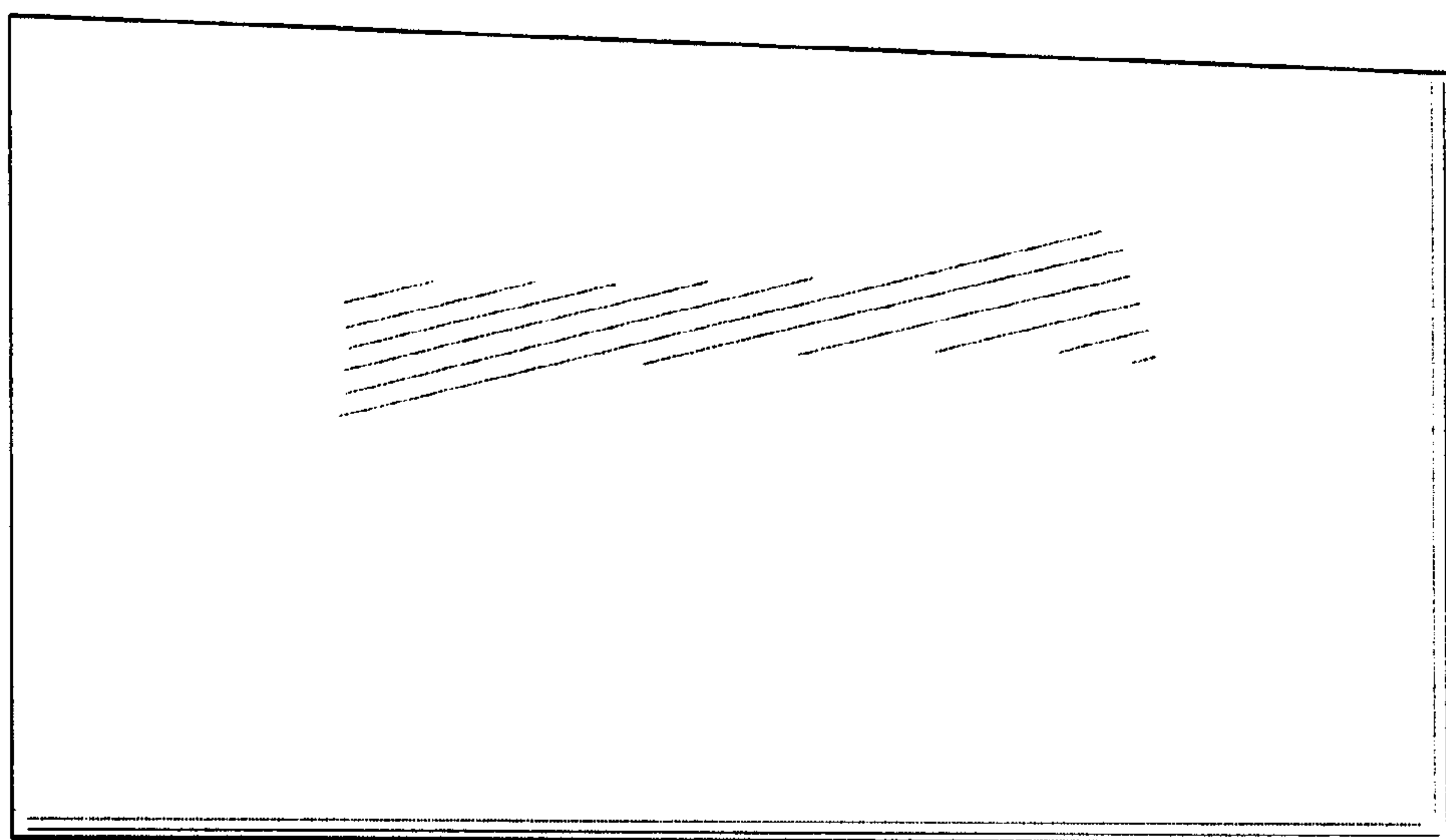


Fig. 7