



US00D539878S

(12) **United States Design Patent**
Hou

(10) **Patent No.:** **US D539,878 S**

(45) **Date of Patent:** **** Apr. 3, 2007**

(54) **BASIN**

D320,647 S * 10/1991 Waldren D23/293.1
D518,924 S * 4/2006 Kawamura D23/292

(75) Inventor: **Camel Hou**, Weifang (CN)

* cited by examiner

(73) Assignee: **Globe Union Industrial Corp.**,
Taichung Hsien (TW)

Primary Examiner—Robert A. Delehanty
(74) *Attorney, Agent, or Firm*—Leong C. Lei

(**) Term: **14 Years**

(57) **CLAIM**

(21) Appl. No.: **29/254,196**

The ornamental design for a basin, as shown and described.

(22) Filed: **Feb. 21, 2006**

DESCRIPTION

(51) **LOC (8) Cl.** **23-02**

(52) **U.S. Cl.** **D23/293.1**

(58) **Field of Classification Search** D23/270–271,
D23/273, 284–287, 291, 293.1, 303, 308;
4/619, 624–625, 630, 661, DIG. 15; D21/524
See application file for complete search history.

FIG. 1 is a perspective view of a basin showing my new design;

FIG. 2 is a front elevational view thereof;

FIG. 3 is a rear elevational view thereof;

FIG. 4 is a left side elevational view thereof;

FIG. 5 is a right side elevational view thereof; and,

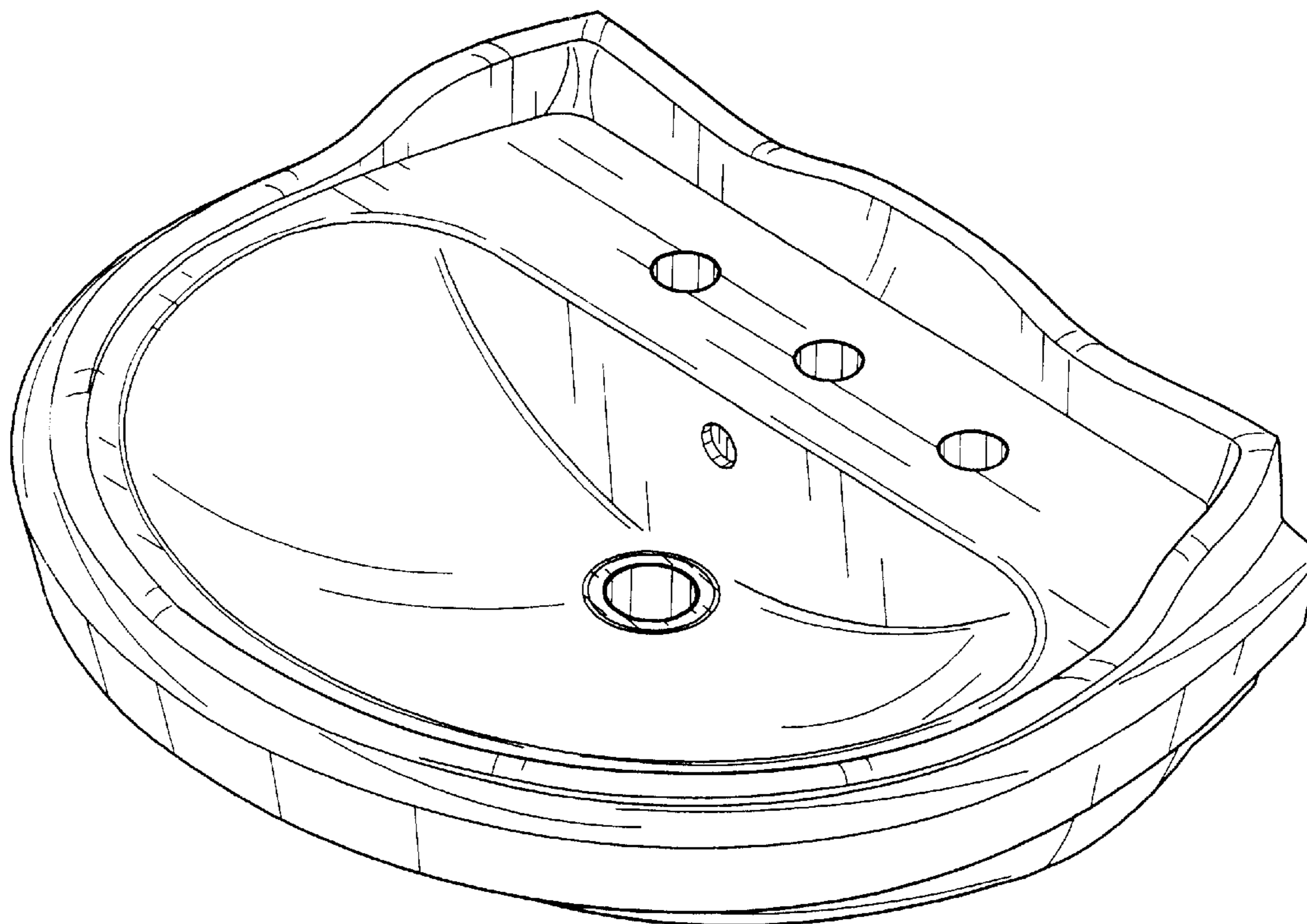
FIG. 6 is a top plan view thereof.

(56) **References Cited**

U.S. PATENT DOCUMENTS

D320,437 S * 10/1991 McKeone D23/292

1 Claim, 4 Drawing Sheets



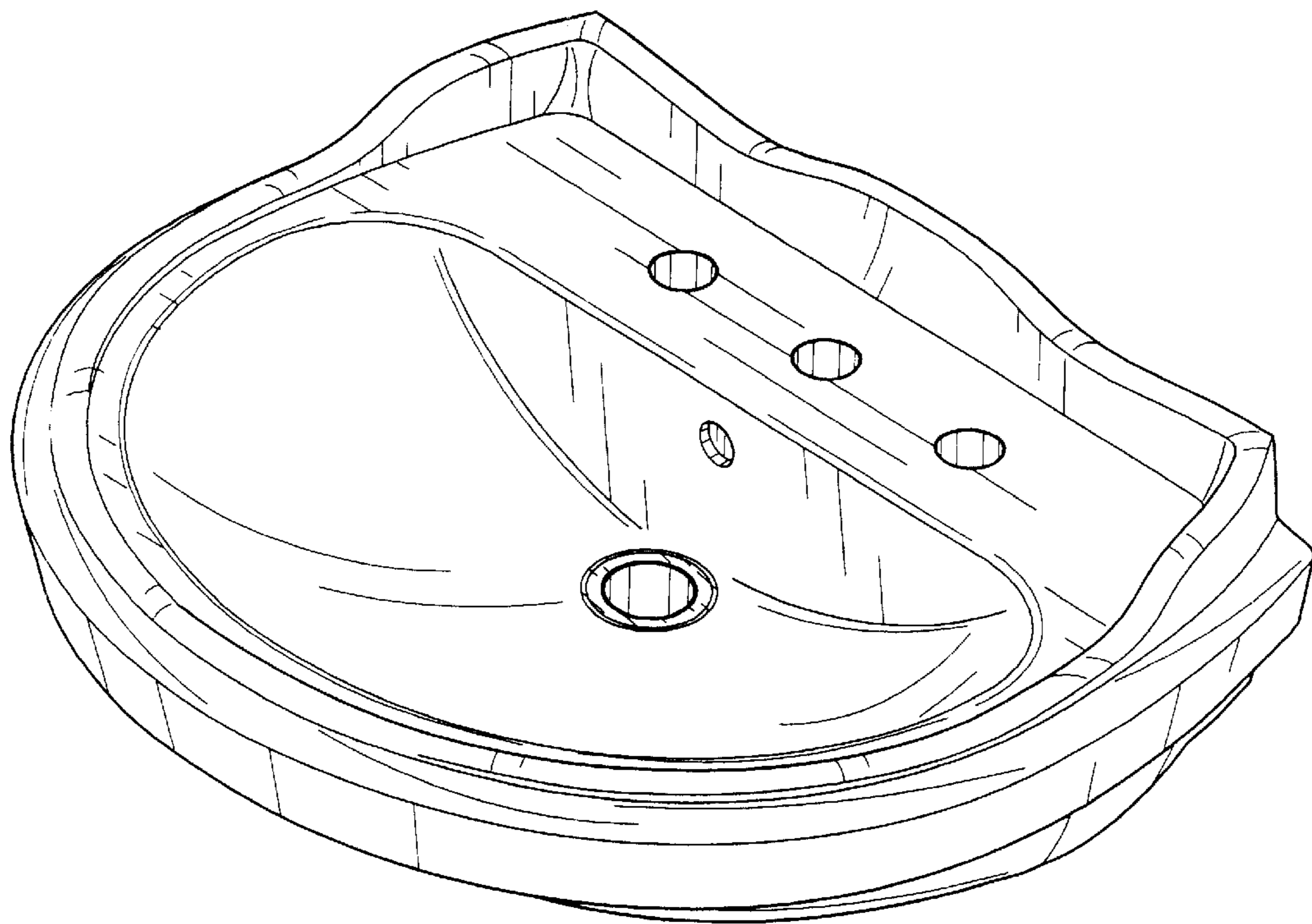


FIG. 1

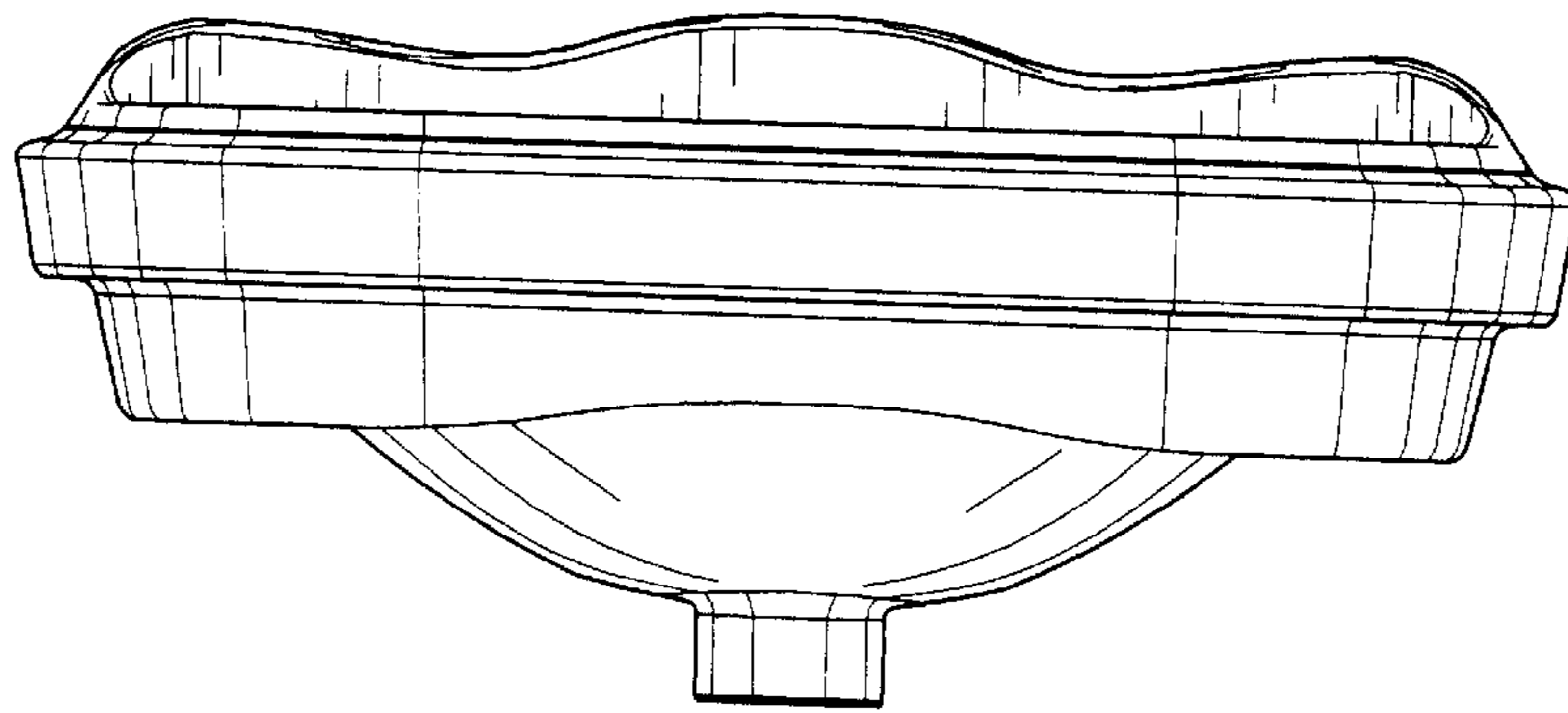


FIG. 2

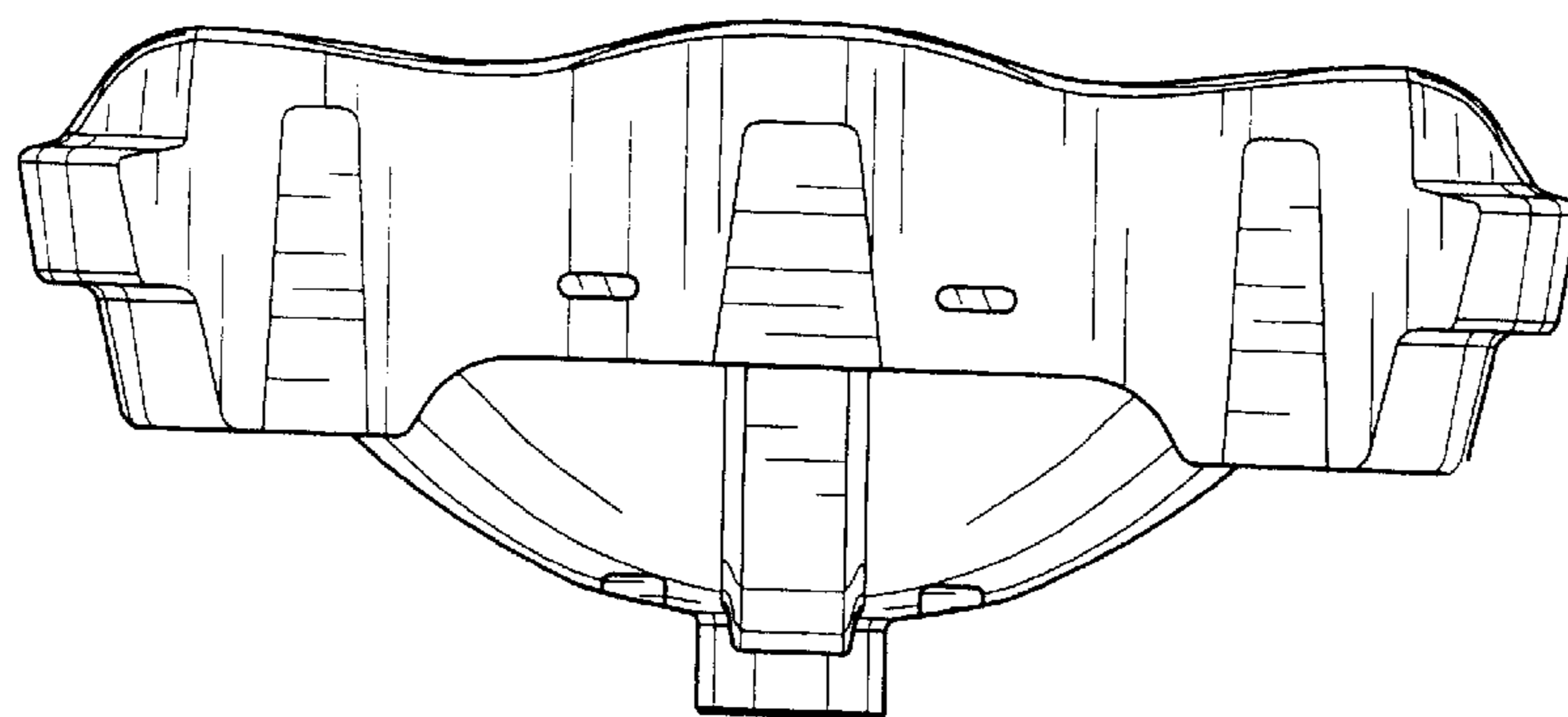


FIG. 3

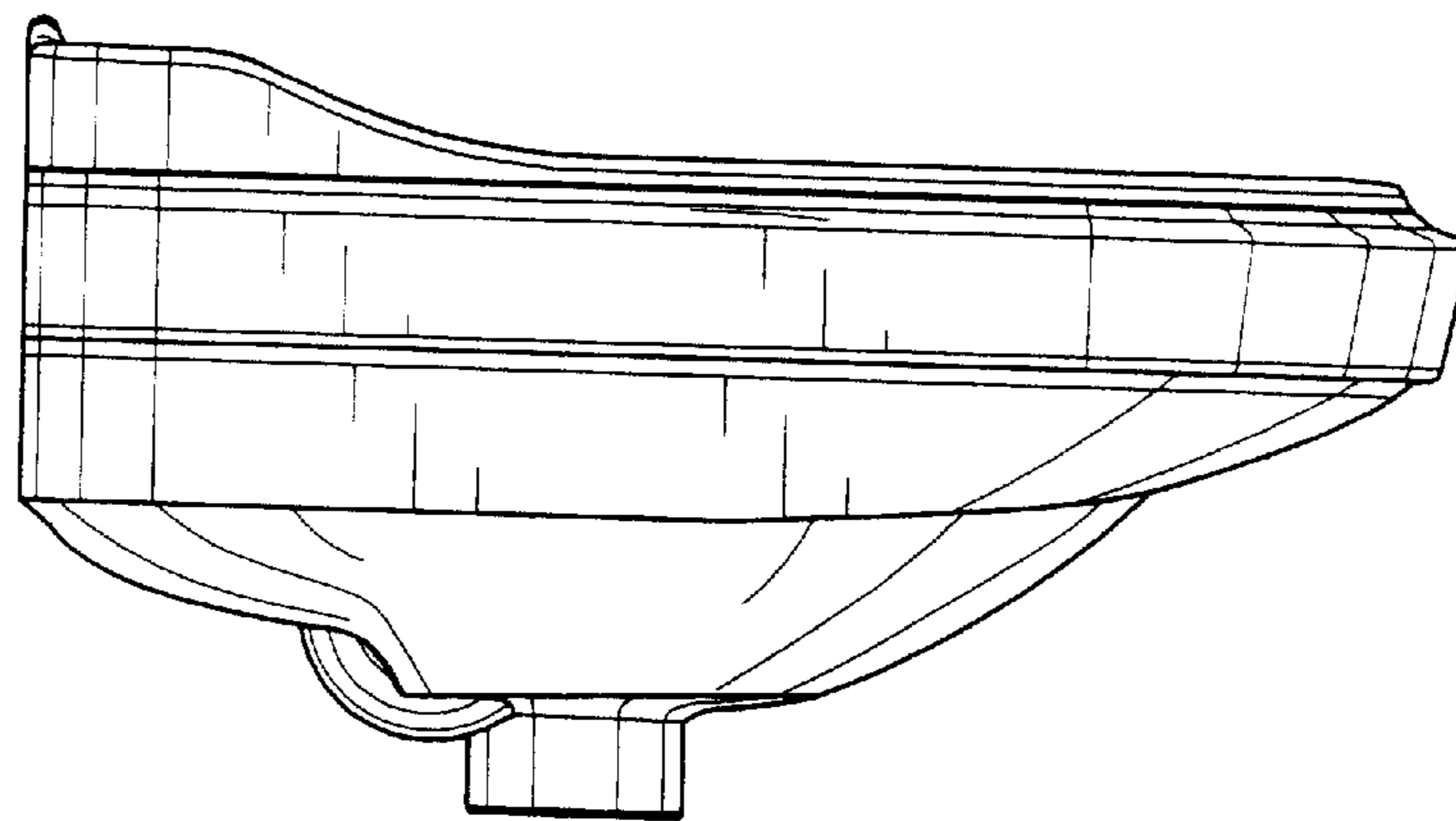


FIG. 4

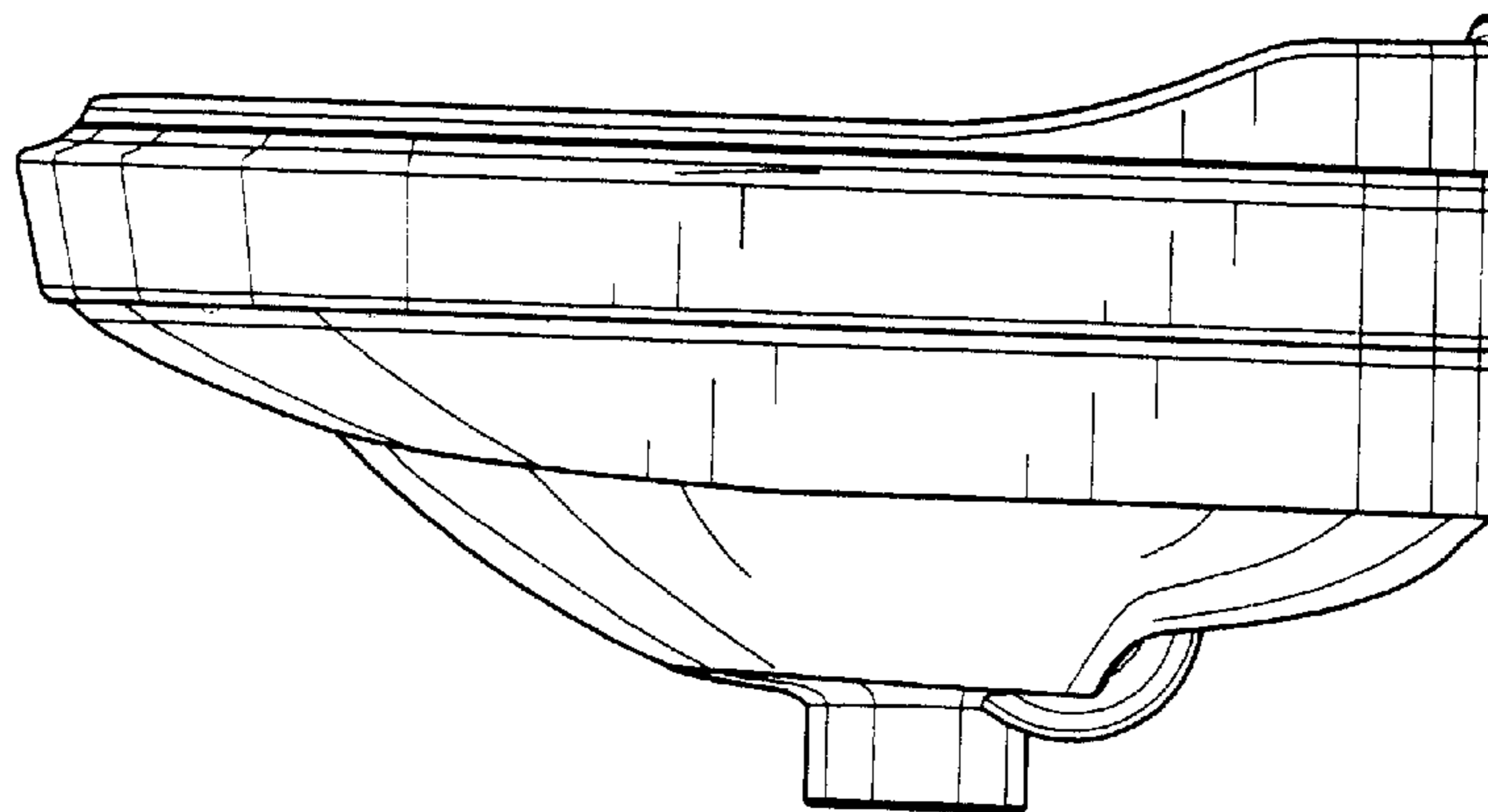


FIG. 5

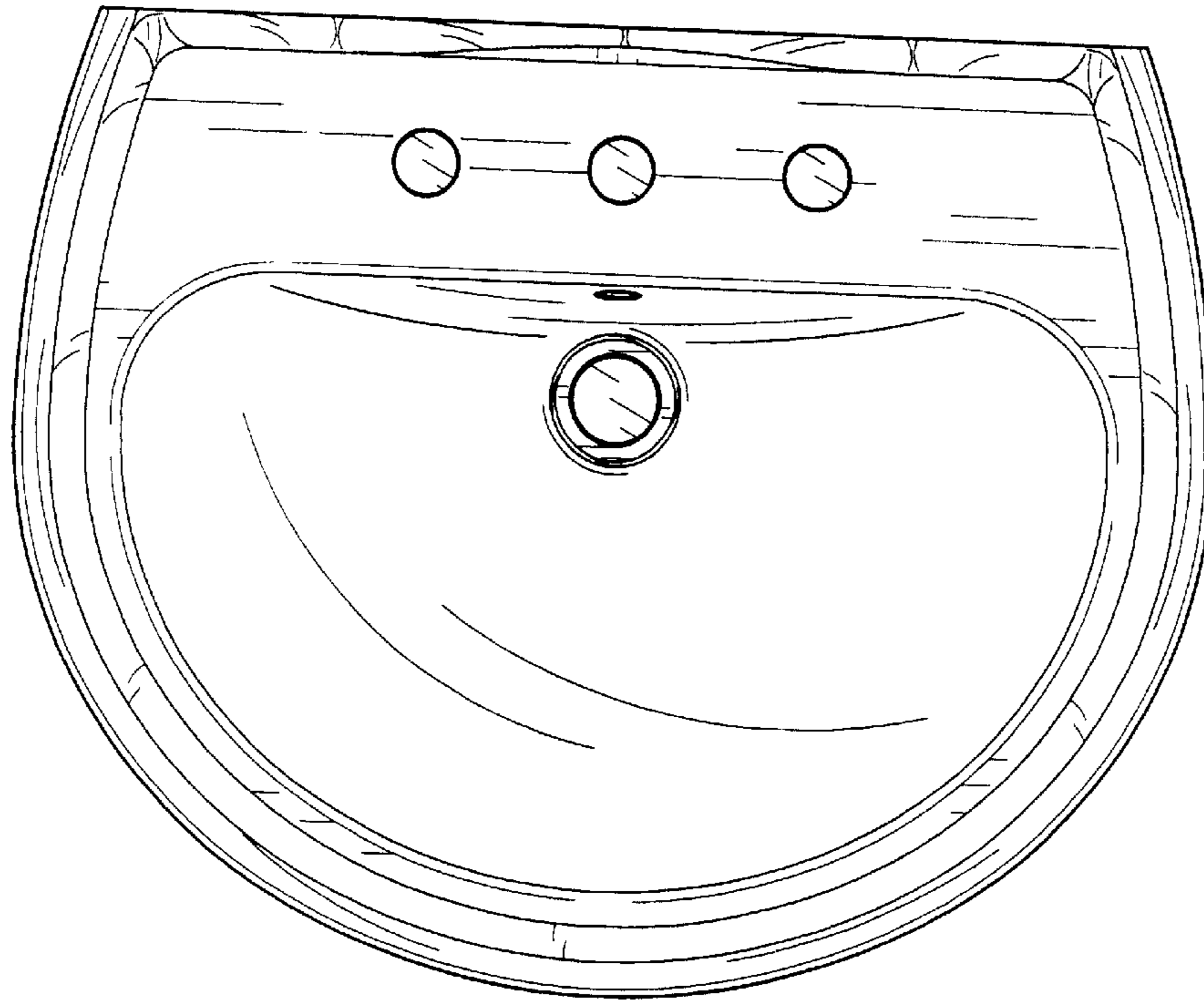


FIG. 6