



US00D539875S

(12) **United States Design Patent**
Starck

(10) **Patent No.:** **US D539,875 S**

(45) **Date of Patent:** **** Apr. 3, 2007**

(54) **SHOWER CONTROL**

D494,253 S * 8/2004 Citterio D23/245
D512,128 S * 11/2005 Zieger et al. D23/250

(75) Inventor: **Philippe Starck**, Paris (FR)

* cited by examiner

(73) Assignee: **Hansgrohe AG** (DE)

Primary Examiner—Louis S. Zarfaz

Assistant Examiner—Gregory Andoll

(**) Term: **14 Years**

(74) *Attorney, Agent, or Firm*—Kwadjo Andusei-Poku;
Lloyd D. Doigan

(21) Appl. No.: **29/230,771**

(22) Filed: **May 26, 2005**

(57) **CLAIM**

(30) **Foreign Application Priority Data**

The ornamental design for a shower control, as shown and described.

Nov. 30, 2004 (EM) 000261276-0004

(51) **LOC (8) Cl.** **23-01**

DESCRIPTION

(52) **U.S. Cl.** **D23/254**

(58) **Field of Classification Search** D23/238–257;
D8/300–322, DIG. 3; 16/110.1; 4/675–678;
137/801

FIG. 1 is a front perspective view of a shower control showing my new design;

FIG. 2 is a front elevational view thereof;

FIG. 3 is a left side elevational view thereof;

FIG. 4 is a top plan view thereof; and,

FIG. 5 is a bottom plan view thereof.

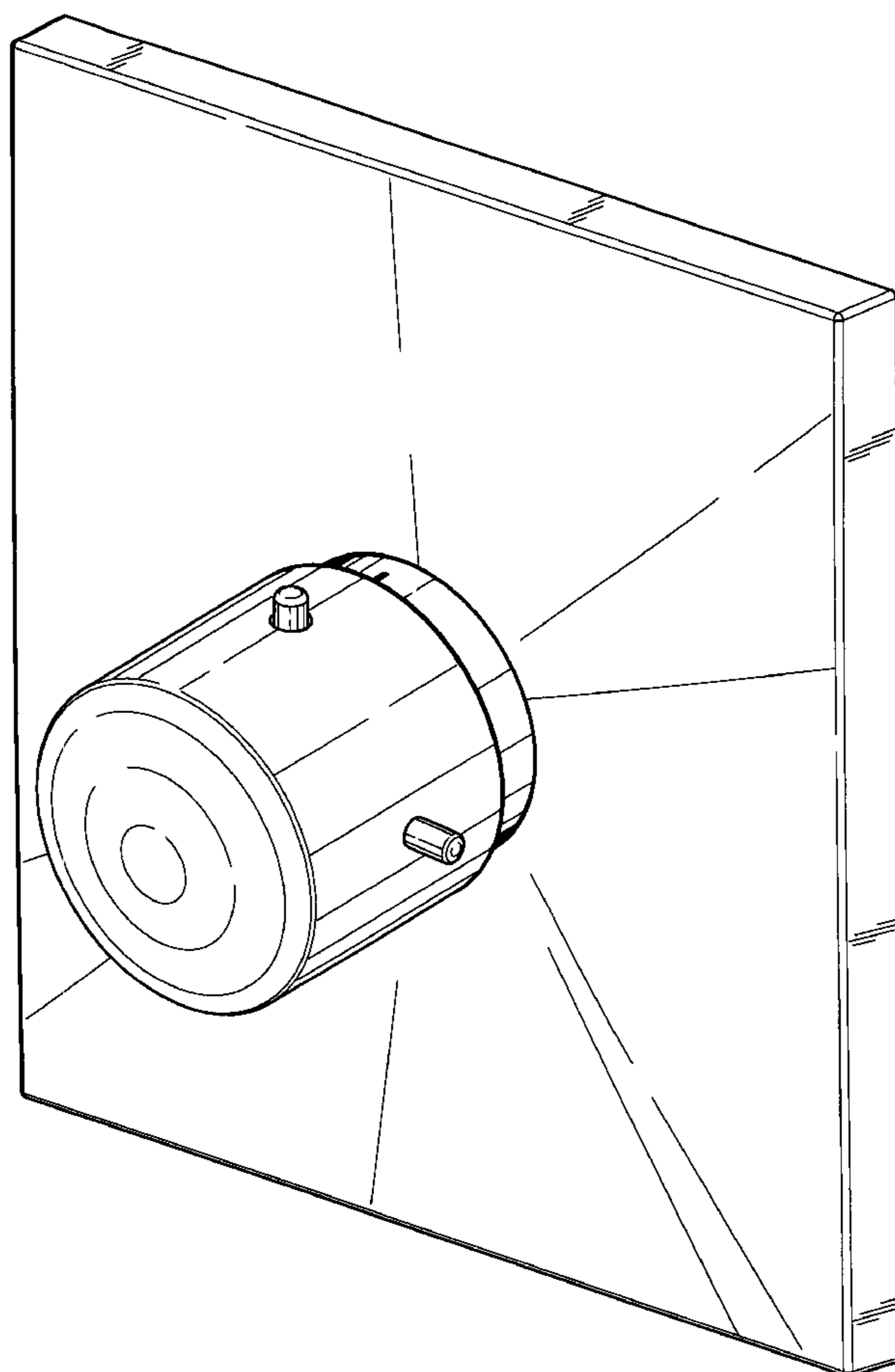
See application file for complete search history.

(56) **References Cited**

U.S. PATENT DOCUMENTS

D336,947 S * 6/1993 Gottwald D23/250

1 Claim, 4 Drawing Sheets



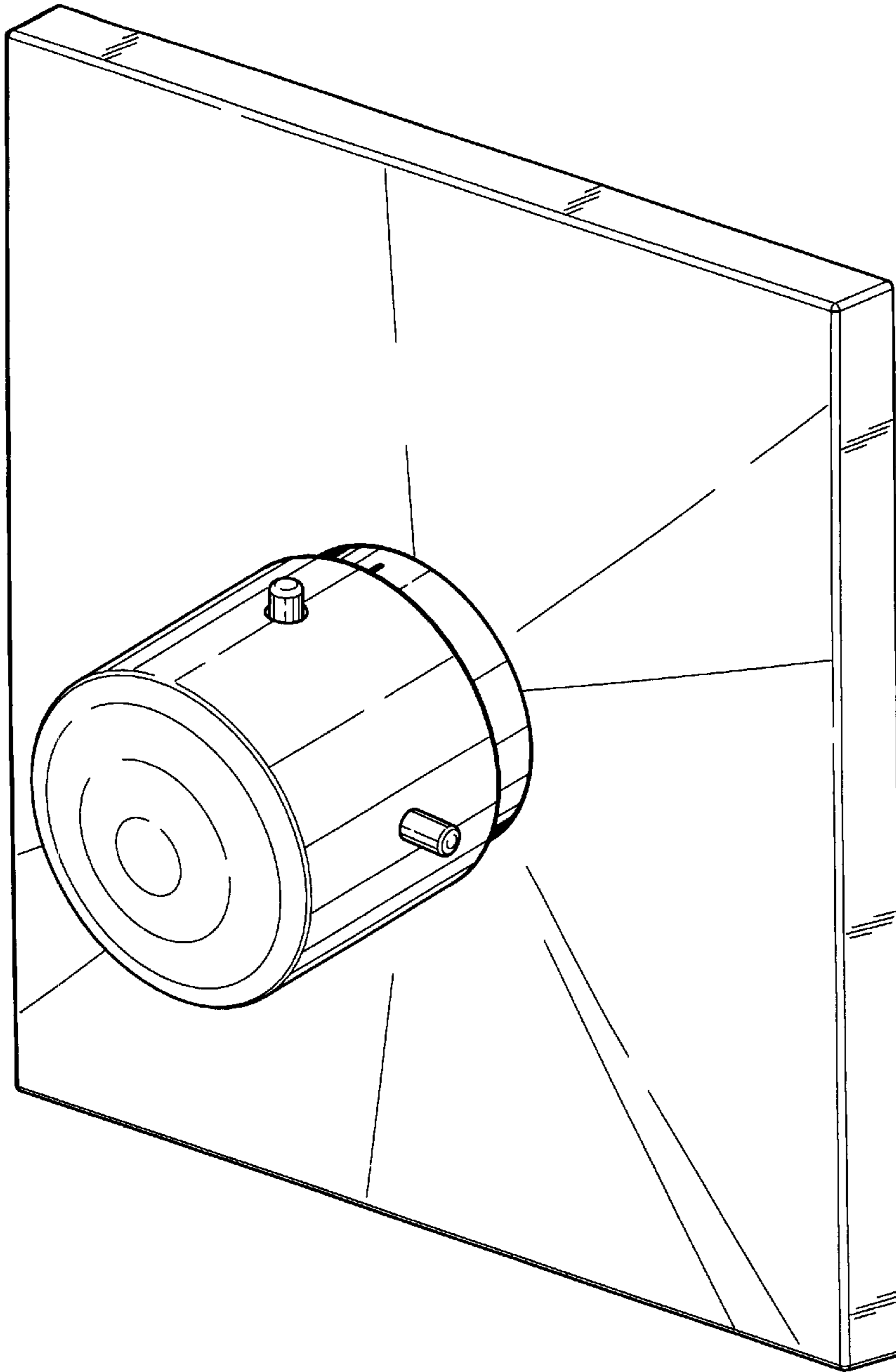


FIG. 1

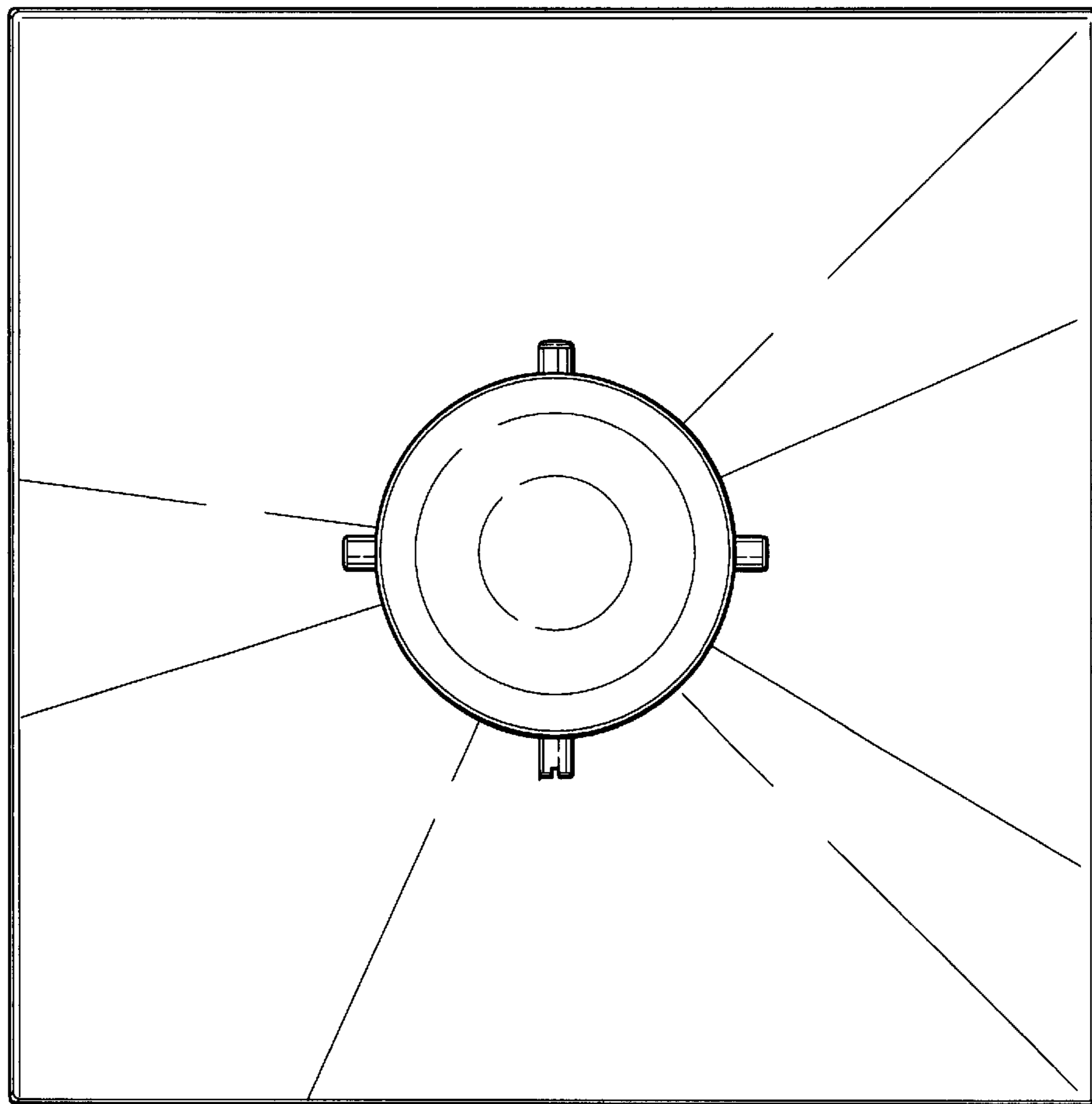


FIG. 2

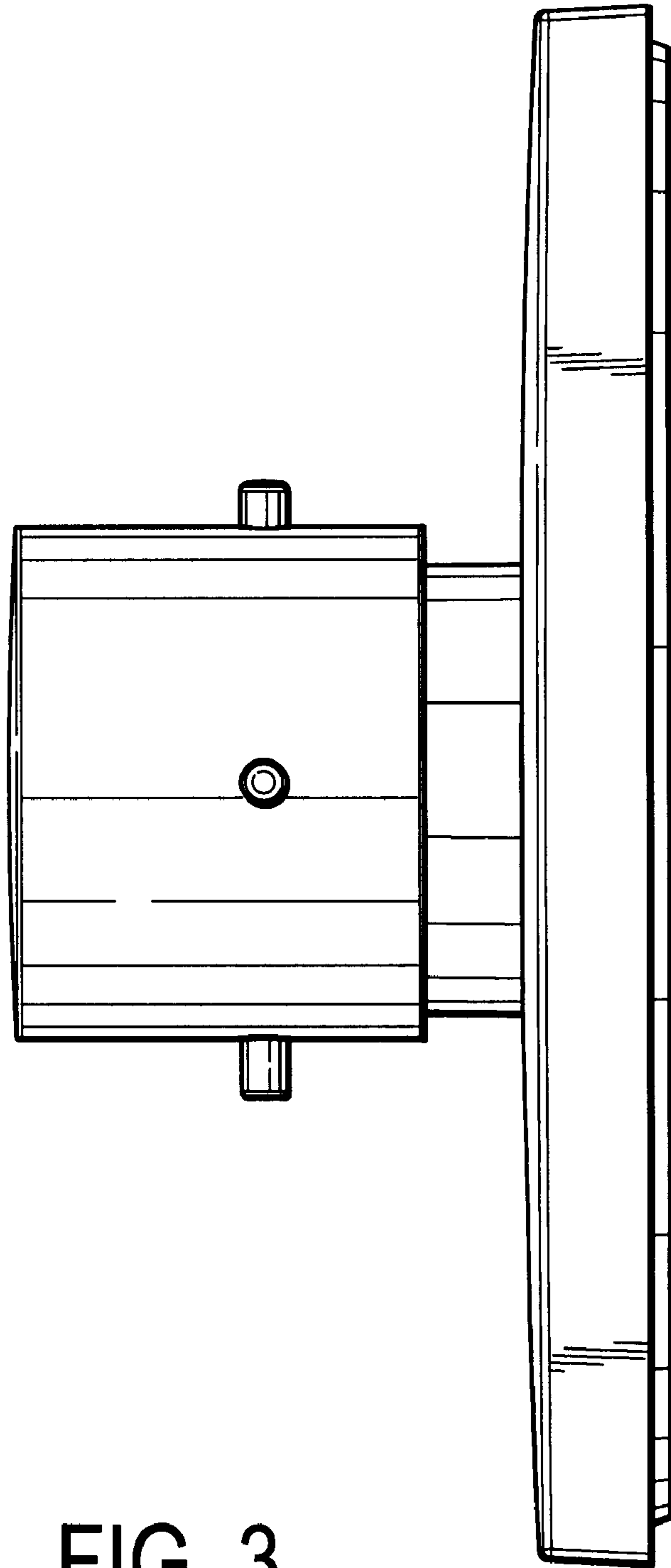


FIG. 3

FIG. 4

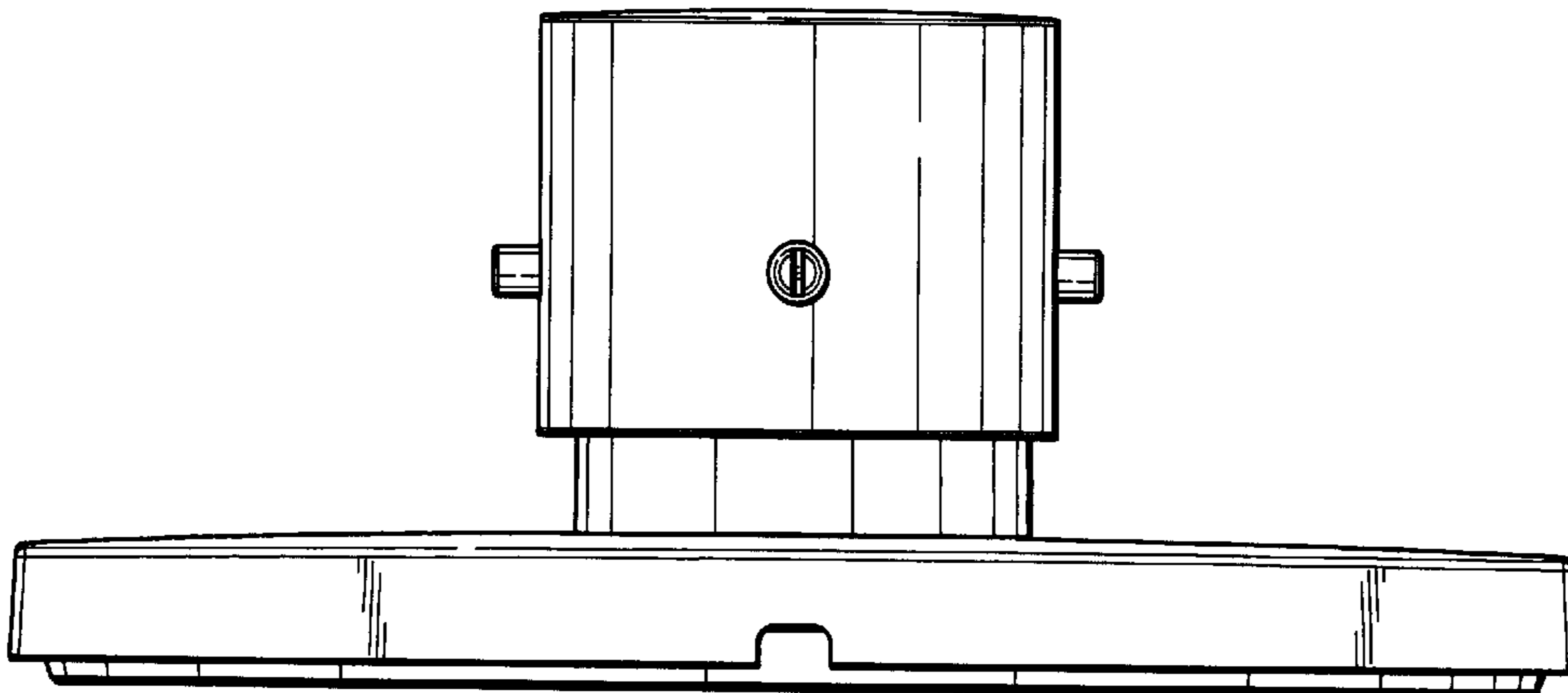
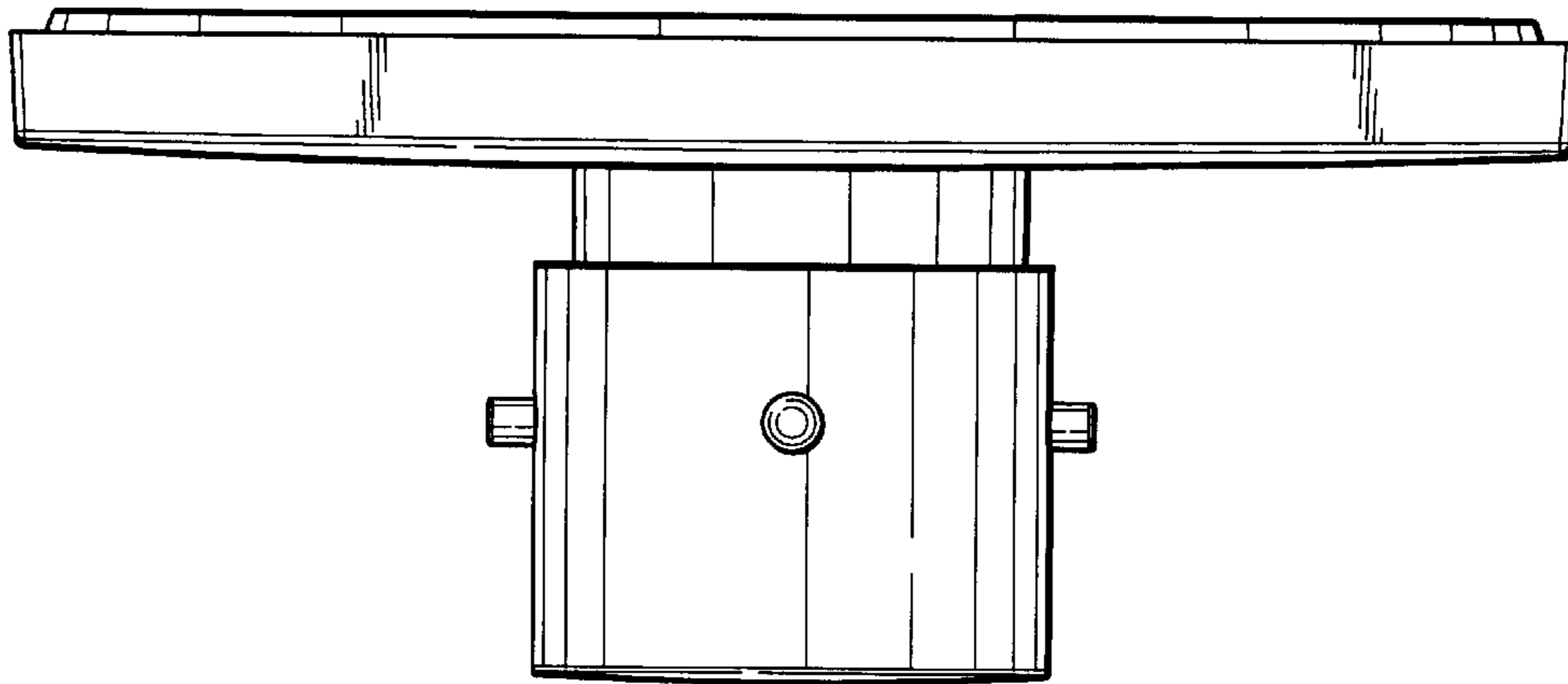


FIG. 5