



US00D539868S

(12) **United States Design Patent**
Luster

(10) **Patent No.:** **US D539,868 S**

(45) **Date of Patent:** **** Apr. 3, 2007**

(54) **BIG GAME FIELD DRESSING TOOL**

(75) Inventor: **Michael A. Luster**, 865 Toms River Rd., Jackson, NJ (US) 08527

(73) Assignees: **Gary Castle**, Gramsville, NY (US);
Michael A. Luster, Jackson, NJ (US)

(**) Term: **14 Years**

(21) Appl. No.: **29/257,590**

(22) Filed: **Apr. 6, 2006**

Related U.S. Application Data

(62) Division of application No. 11/095,127, filed on Mar. 31, 2005, now abandoned.

(51) **LOC (8) Cl.** **22-99**

(52) **U.S. Cl.** **D22/199**

(58) **Field of Classification Search** D22/199,
D22/115; D21/452, 711; 224/103, 184, 248,
224/250, 921, 609, 576, 258-259

See application file for complete search history.

(56) **References Cited**

U.S. PATENT DOCUMENTS

2,354,790 A * 8/1944 Beck D21/711

D353,414 S * 12/1994 Crane D21/452
D385,327 S * 10/1997 Delmonte D22/115
D405,848 S * 2/1999 Mooradian D21/452
D438,930 S * 3/2001 Schmacker et al. D22/199
D486,879 S * 2/2004 Powell et al. D22/199

* cited by examiner

Primary Examiner—Catherine R. Oliver

(74) *Attorney, Agent, or Firm*—Michael R. Philips

(57) **CLAIM**

The ornamental design for a big game field dressing tool, as shown and described.

DESCRIPTION

FIG. 1 is a perspective view of the big game field dressing tool of the invention.

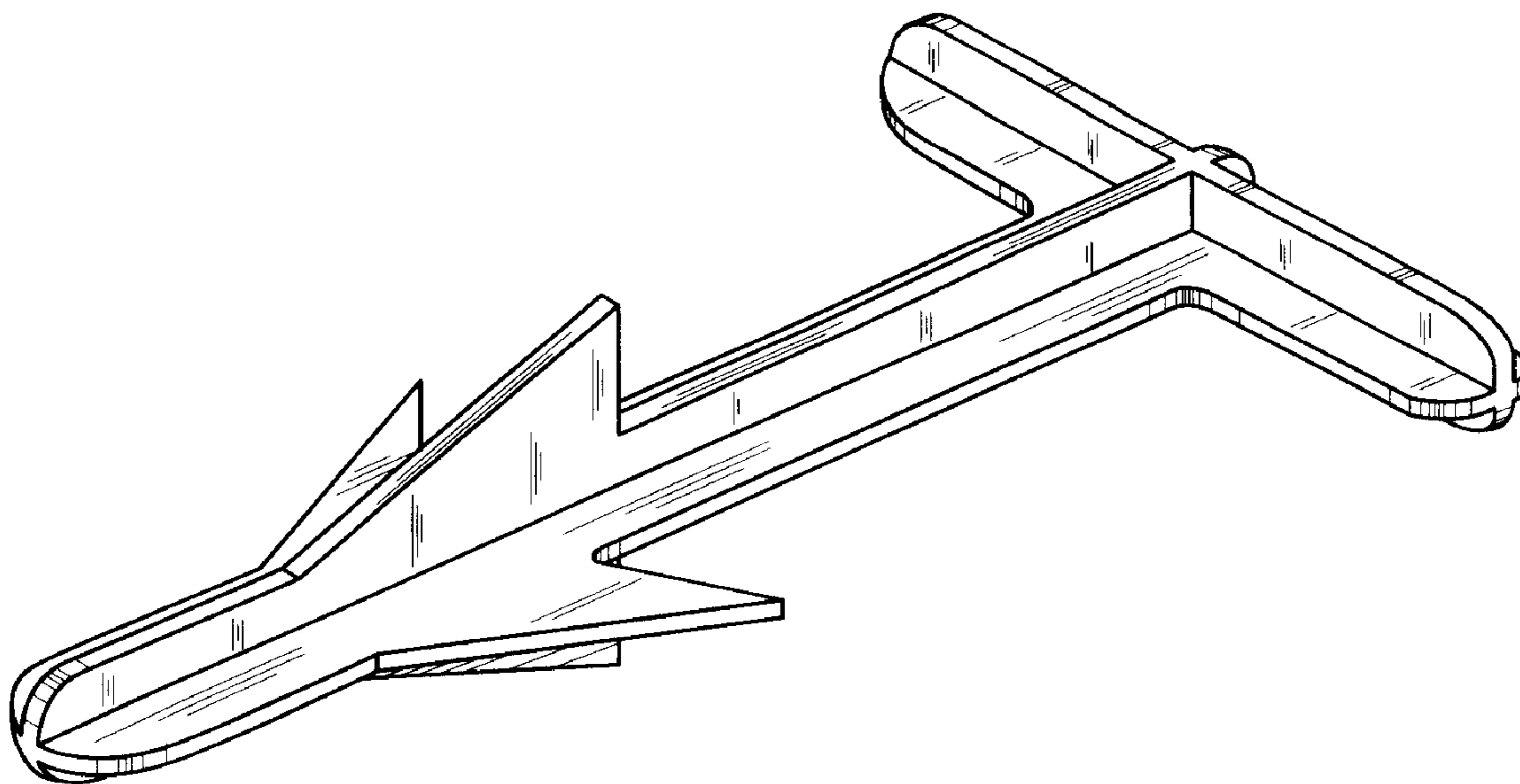
FIG. 2 is a front elevation view thereof.

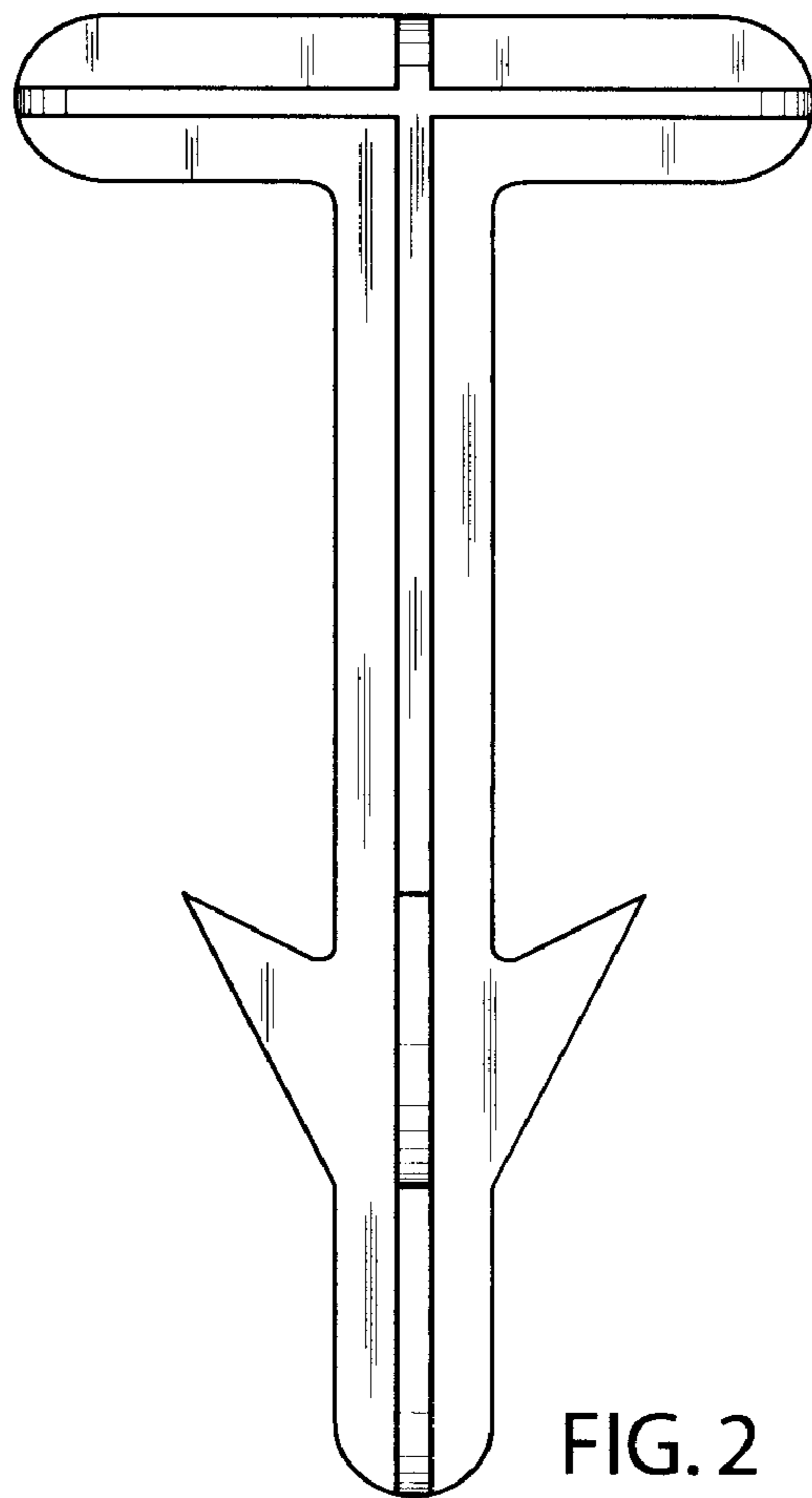
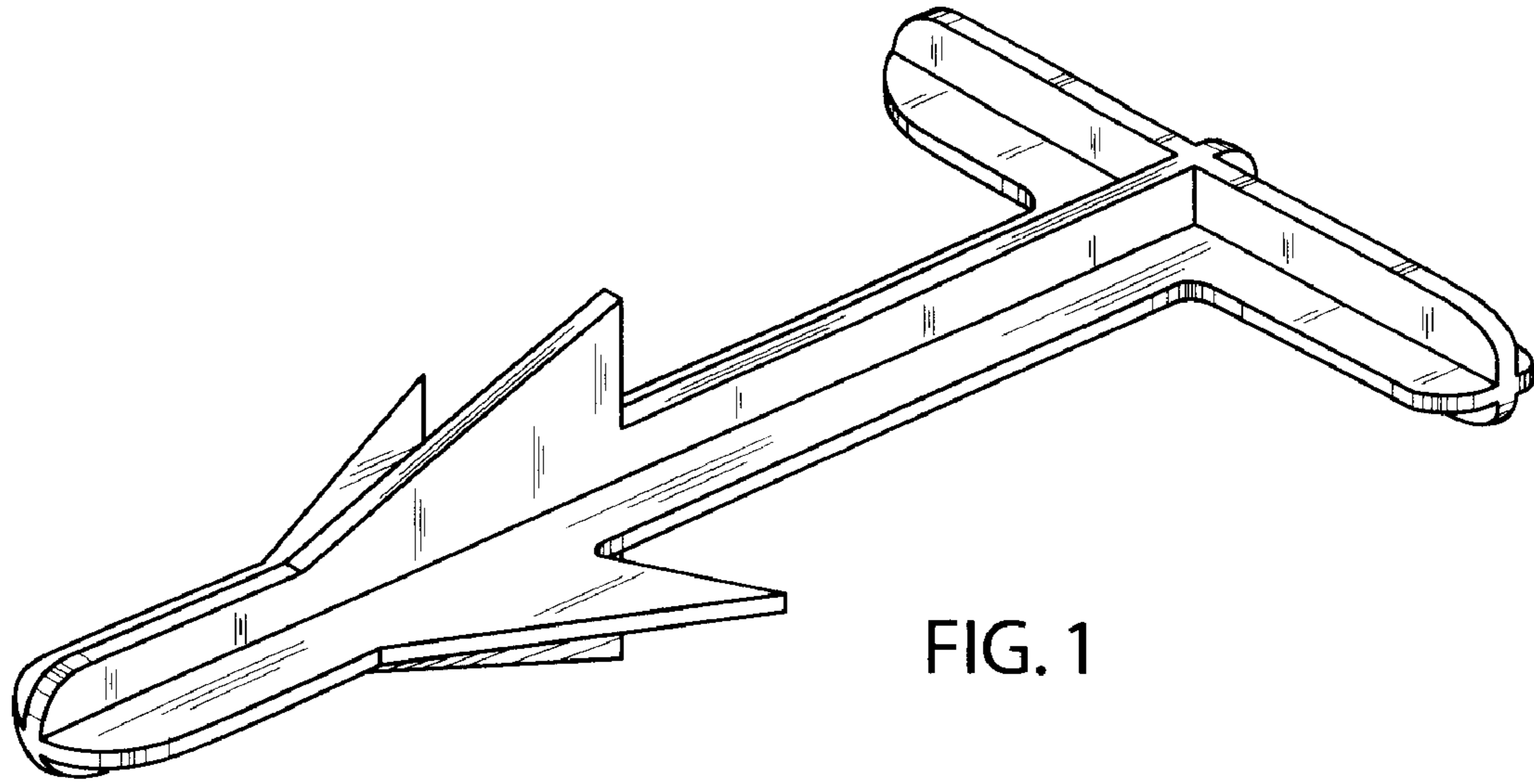
FIG. 3 is a side elevation view thereof.

FIG. 4 is a top plan view thereof; and,

FIG. 5 is a bottom plan view thereof.

1 Claim, 2 Drawing Sheets





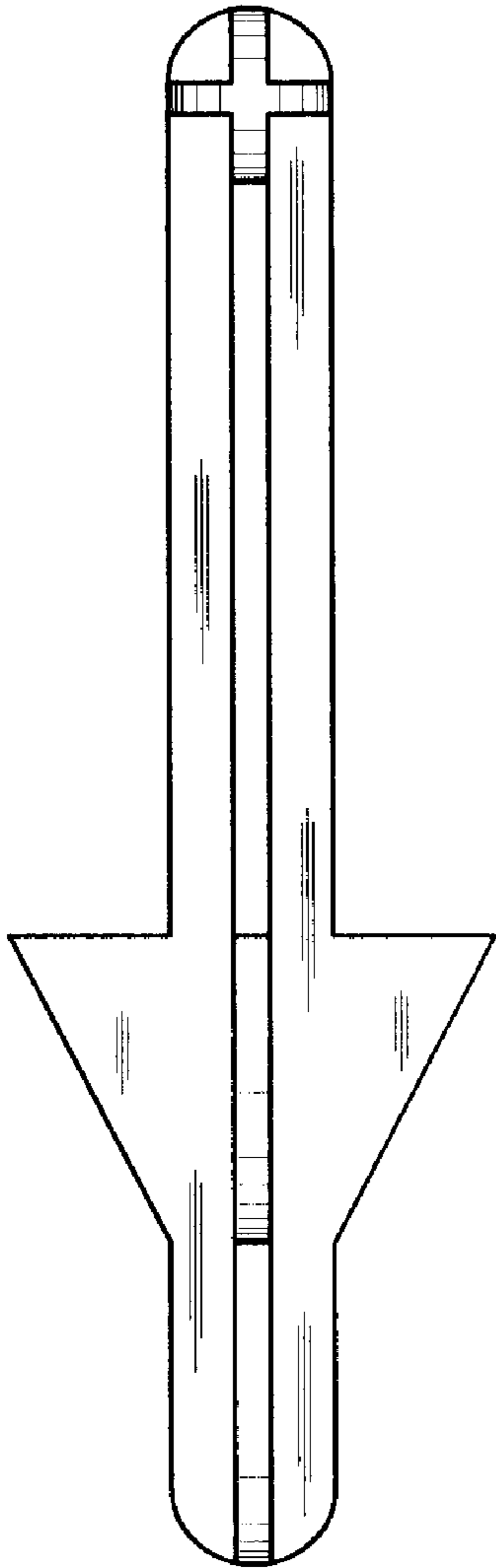


FIG. 3

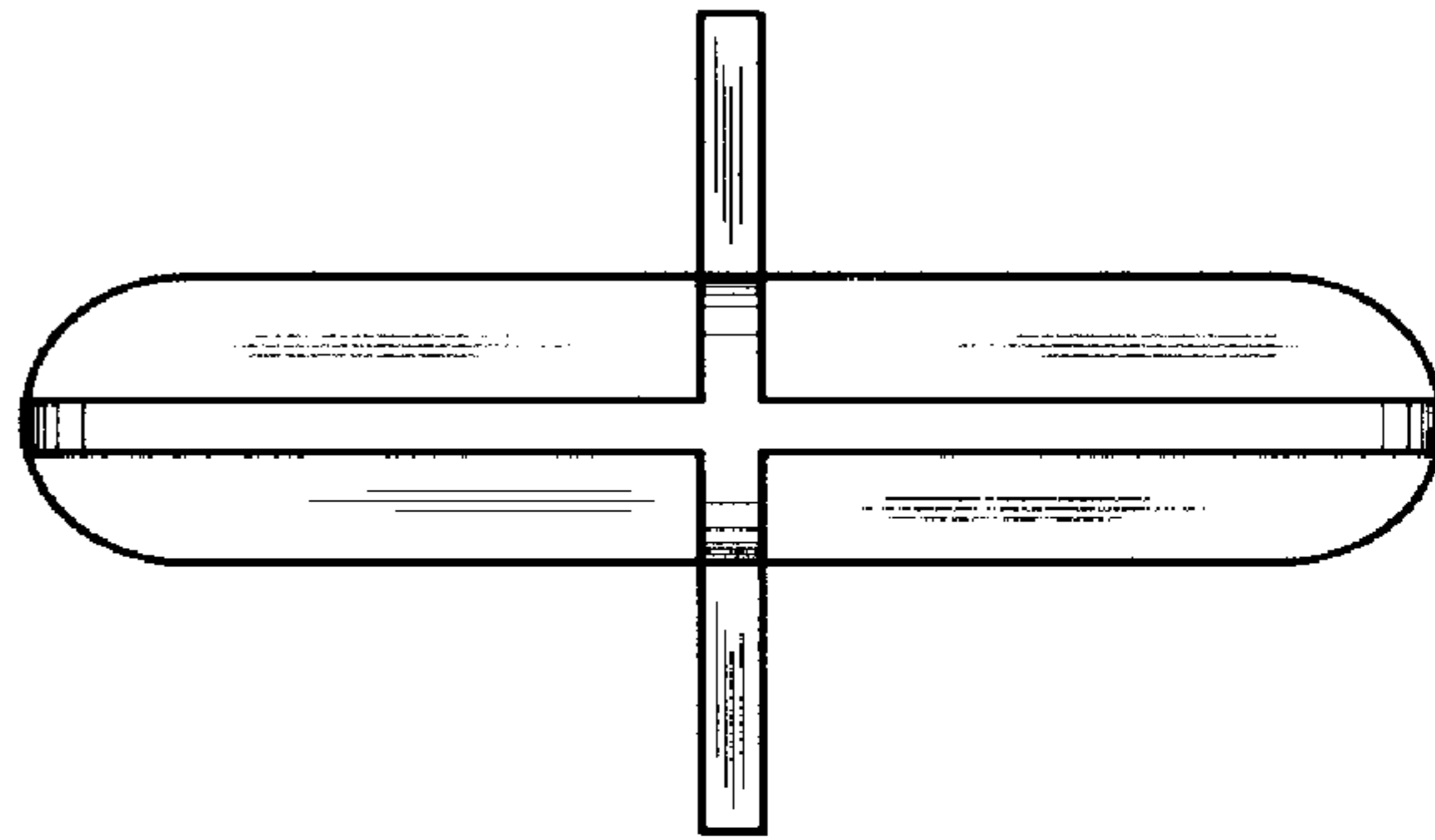


FIG. 4

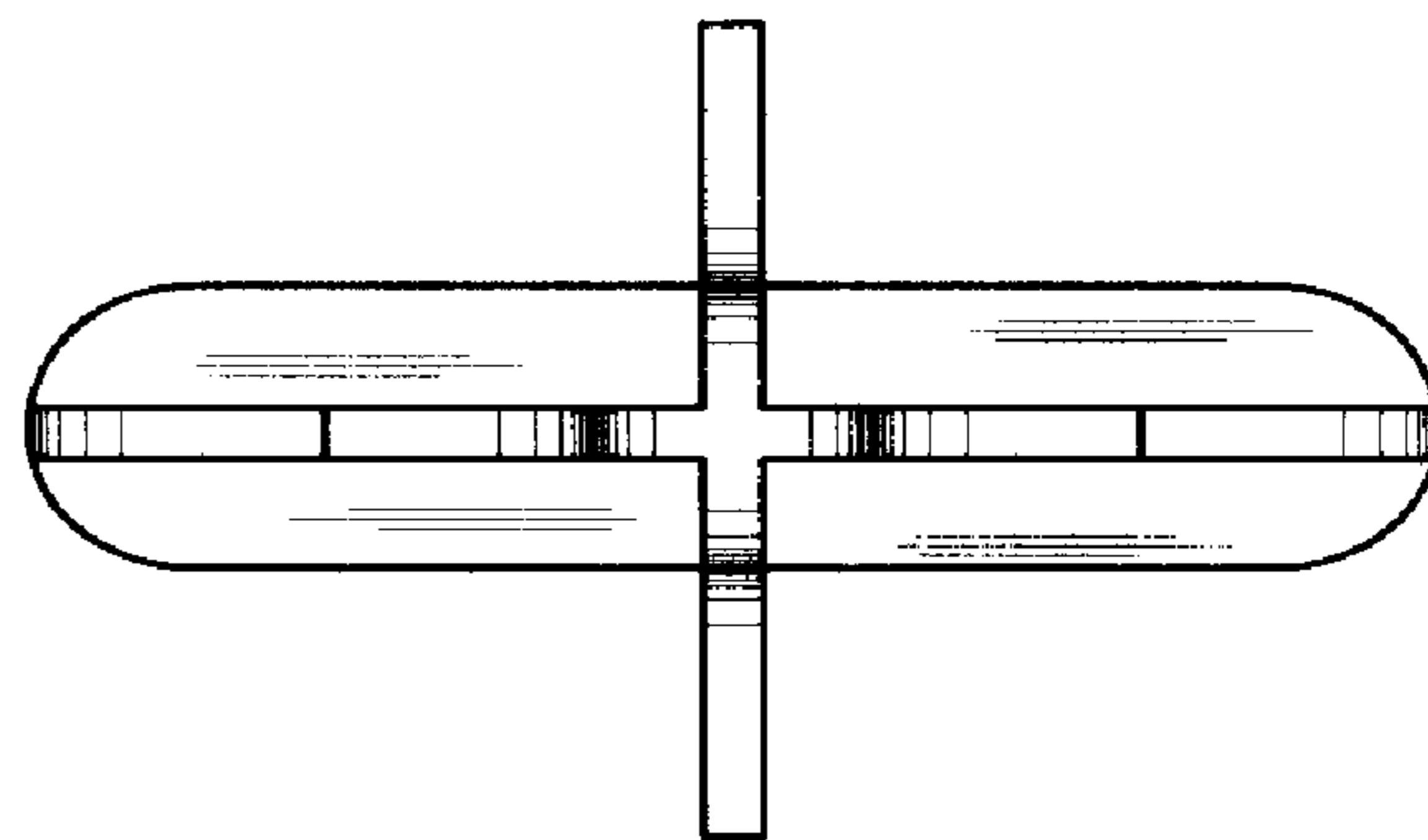


FIG. 5