



US00D539866S

(12) **United States Design Patent**
Rhee

(10) **Patent No.:** **US D539,866 S**

(45) **Date of Patent:** **** Apr. 3, 2007**

(54) **STUNGUN**

(76) **Inventor:** **Cheol Y. Rhee**, 13565 Ballwick Ter.,
Germantown, MD (US) 20674

(**) **Term:** **14 Years**

(21) **Appl. No.:** **29/259,249**

(22) **Filed:** **May 5, 2006**

(51) **LOC (8) Cl.** **22-02**

(52) **U.S. Cl.** **D22/117**

(58) **Field of Classification Search** D22/117;
42/1.08, 1.09, 1.12; 361/232; D30/156; 231/7
See application file for complete search history.

(56) **References Cited**

U.S. PATENT DOCUMENTS

D257,495 S	*	11/1980	Bros et al.	D30/156
D299,507 S	*	1/1989	Hwa	D22/117
D323,870 S	*	2/1992	Kaufman	D22/117
5,282,332 A	*	2/1994	Philips	42/1.08
D351,639 S	*	10/1994	Su	D22/117
D351,640 S	*	10/1994	de Anda et al.	D22/117

* cited by examiner

Primary Examiner—Catherine R. Oliver

(74) *Attorney, Agent, or Firm*—Birch, Stewart, Kolasch &
Birch, LLP

(57) **CLAIM**

The ornamental design for a stungun, as shown and described.

DESCRIPTION

FIG. 1 is a perspective view of the stungun showing my new design;

FIG. 2 is a front elevational view thereof;

FIG. 3 is a rear elevational view thereof;

FIG. 4 is a right side elevational view thereof;

FIG. 5 is a left side elevational view thereof;

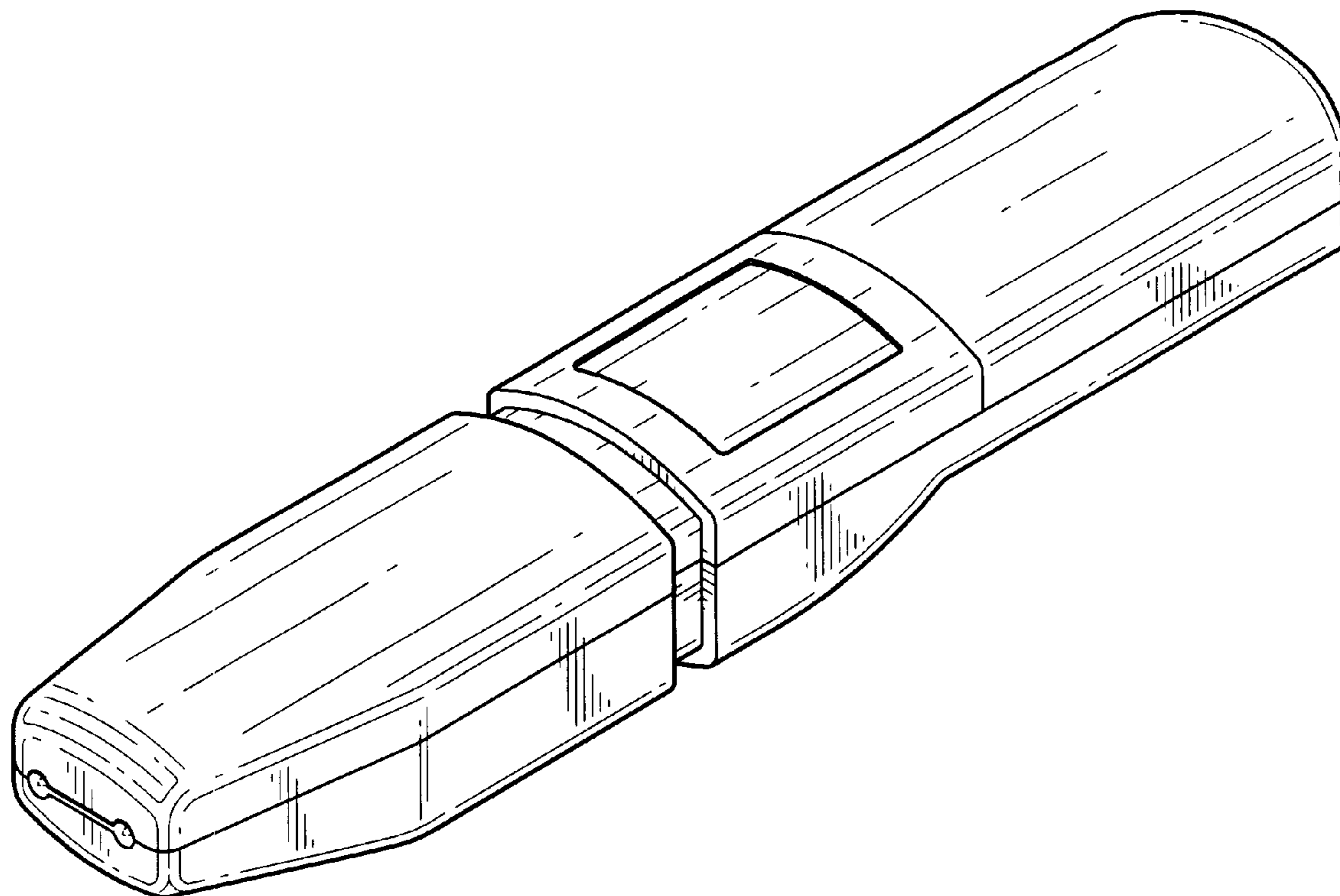
FIG. 6 is a top plan view thereof;

FIG. 7 is a bottom plan view thereof; and,

FIG. 8 is a perspective view of the stungun in an operative position.

The portions shown in broken lines form no part of the claimed design.

1 Claim, 3 Drawing Sheets



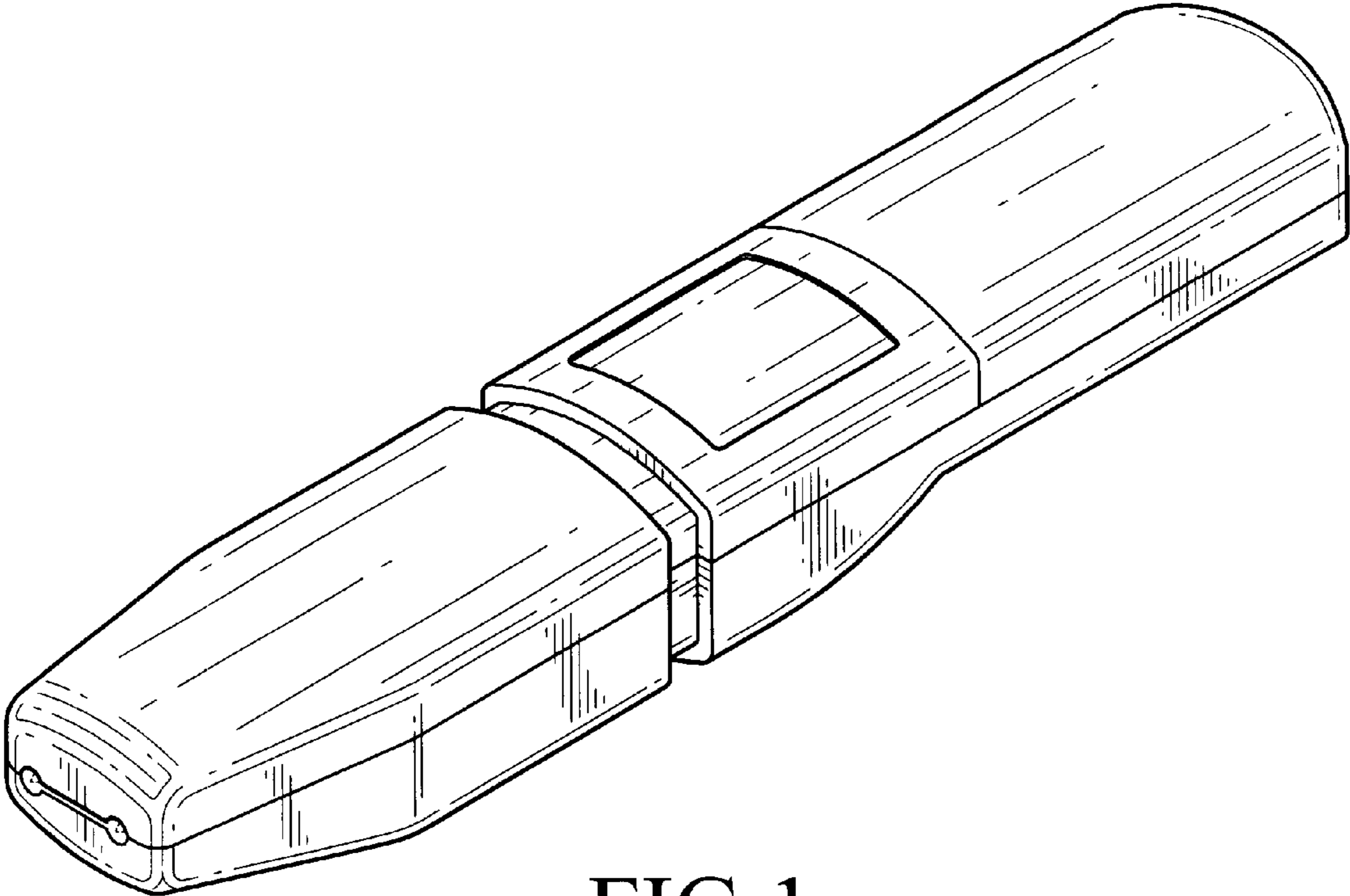


FIG. 1

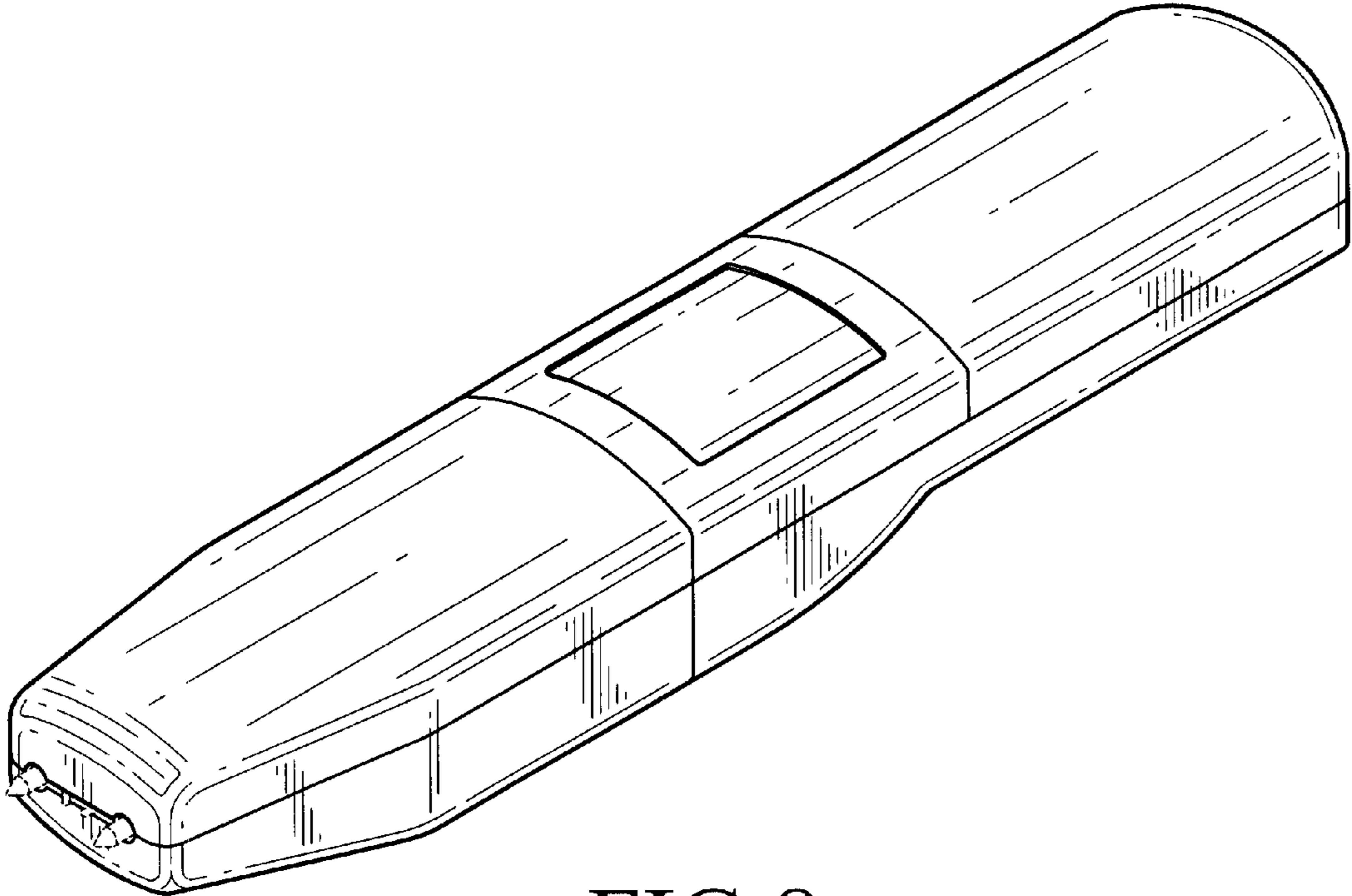


FIG. 8

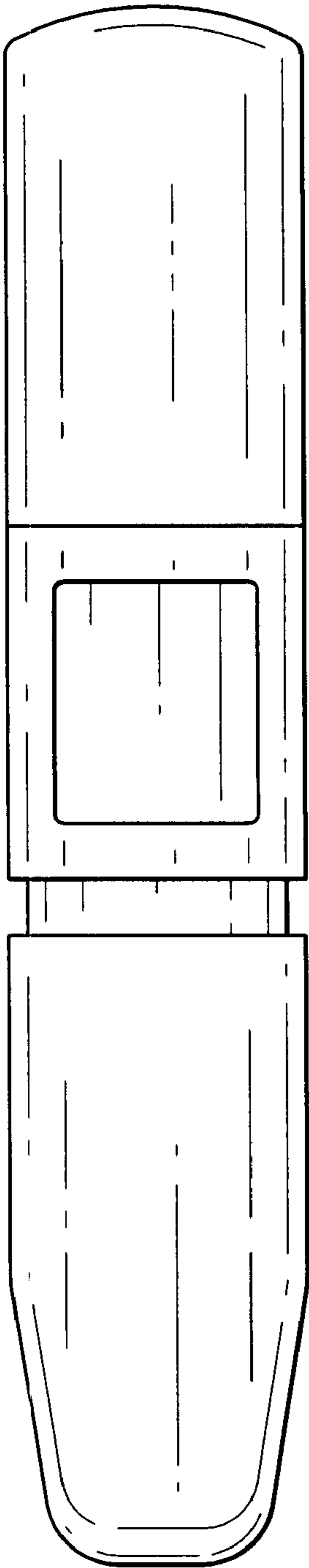


FIG. 2

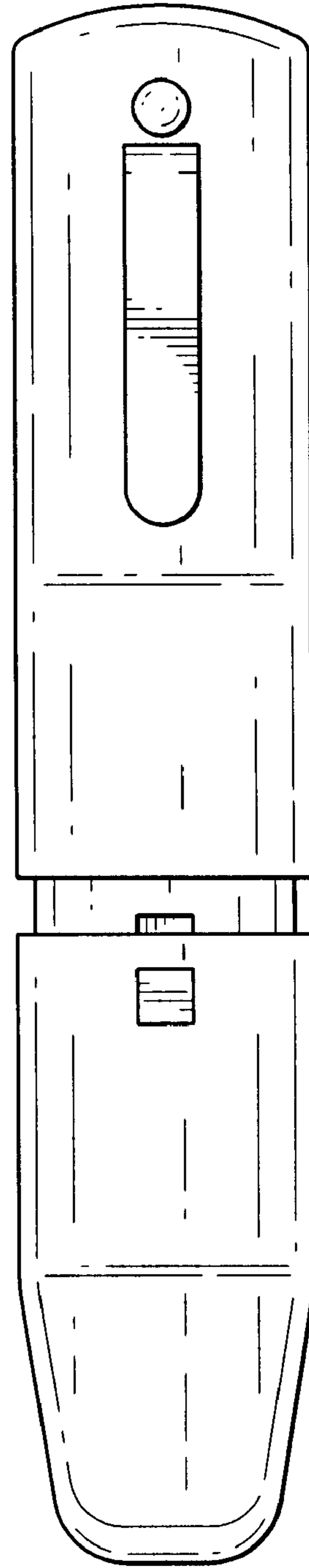


FIG. 3

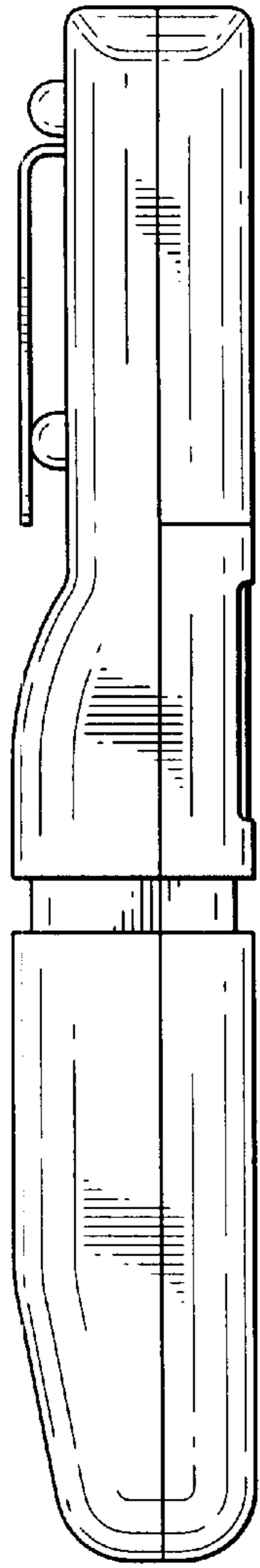


FIG. 4

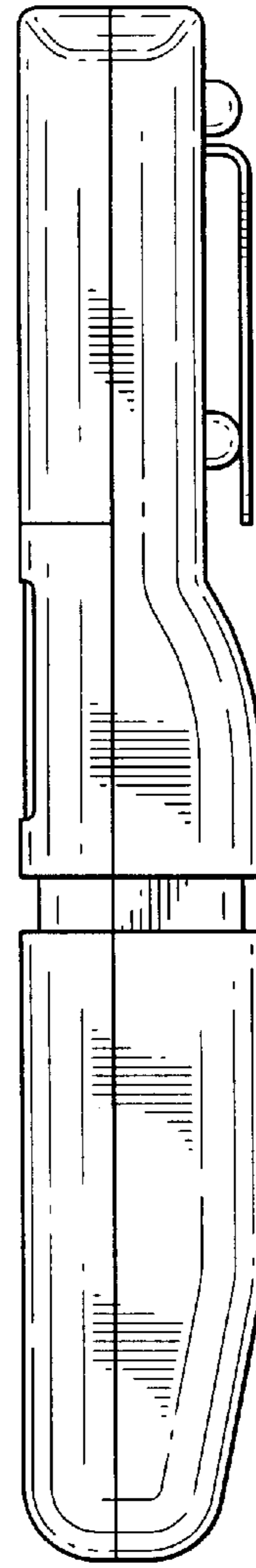


FIG. 5

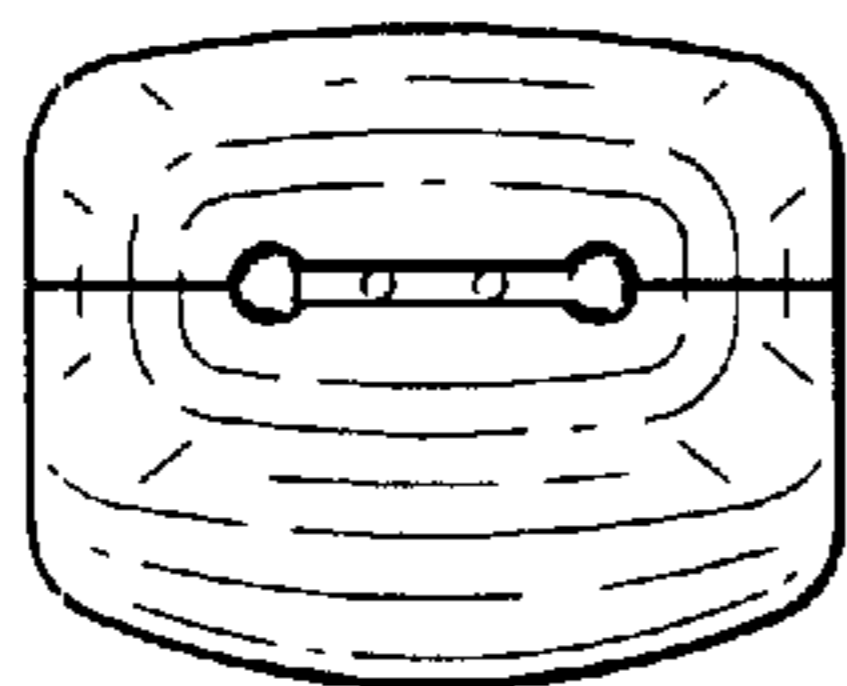


FIG. 6

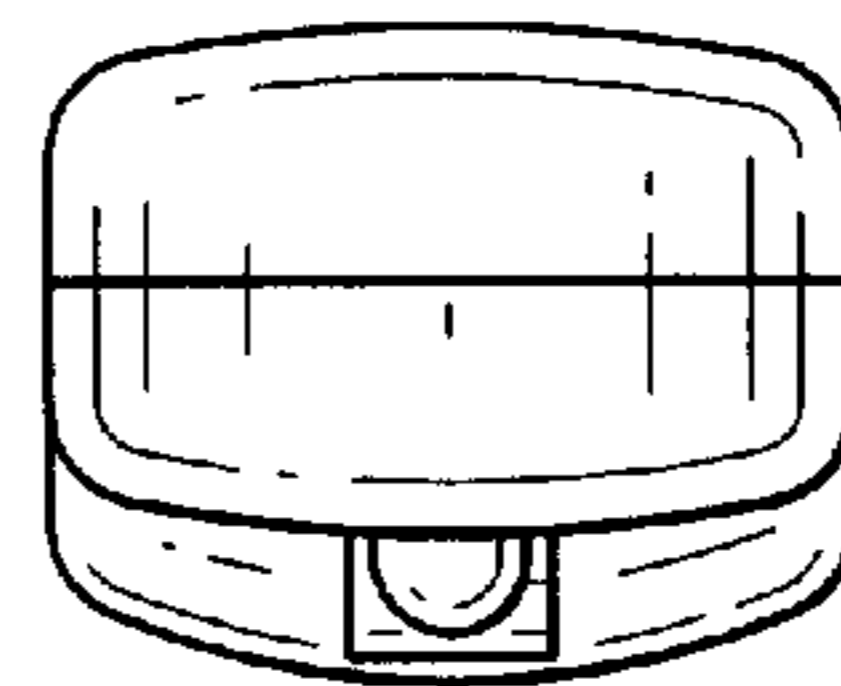


FIG. 7