



US00D539865S

(12) **United States Design Patent**  
**Tang et al.**

(10) **Patent No.:** **US D539,865 S**

(45) **Date of Patent:** **\*\* Apr. 3, 2007**

- (54) **PUTTER HEAD**
- (75) Inventors: **Larry G. Tang**, Carlsbad, CA (US);  
**Augustin W. Rollinson**, San Diego, CA (US)
- (73) Assignee: **Callaway Golf Company**, Carlsbad, CA (US)
- (\*\*) Term: **14 Years**
- (21) Appl. No.: **29/242,462**
- (22) Filed: **Nov. 12, 2005**
- (51) **LOC (8) Cl.** ..... **21-02**
- (52) **U.S. Cl.** ..... **D21/759**
- (58) **Field of Classification Search** ..... D21/736-746,  
D21/759; 473/324-331, 251-256, 340, 341  
See application file for complete search history.

- 2,781,197 A 2/1957 Wiley
- 2,838,312 A 6/1958 Drake
- 2,957,696 A 10/1960 Warpotas
- 3,021,141 A 2/1962 Polsky et al.
- 3,064,975 A 11/1962 Smith
- D200,585 S 3/1965 Cefaly
- 3,194,564 A 7/1965 Swan
- 3,220,733 A 11/1965 Saleeby
- 3,300,241 A 1/1967 Eberwein et al.
- 3,310,879 A 3/1967 Brzezinski et al.
- 3,328,032 A 6/1967 Griswold
- 3,333,854 A 8/1967 White
- 3,343,839 A 9/1967 Borah
- D209,294 S 11/1967 Hitt
- 3,357,705 A 12/1967 Blanchard
- 3,408,074 A 10/1968 Antonious
- 3,411,789 A 11/1968 Wariner
- D217,487 S 5/1970 Blake
- 3,512,262 A 5/1970 Smyk et al.
- 3,578,332 A 5/1971 Caldwell
- 3,632,112 A 1/1972 Jacobs
- 3,708,172 A 1/1973 Rango
- 3,779,398 A 12/1973 Hunter
- D230,293 S 2/1974 Gall
- D230,294 S 2/1974 Gall

(56) **References Cited**  
U.S. PATENT DOCUMENTS

- 1,485,272 A 2/1924 Kinsman
- 1,526,951 A 2/1925 Beaumont
- 1,546,612 A 7/1925 Barnes
- 1,569,295 A 1/1926 Munson
- 1,652,404 A 12/1927 Graveure
- 1,654,916 A 1/1928 Boyce
- 1,666,174 A 4/1928 Holland
- 1,703,199 A 2/1929 McClure
- D85,510 S 11/1931 Beach
- D90,924 S 10/1933 Replogle
- 1,960,110 A 5/1934 Iles
- 2,002,631 A 5/1935 Fiondella
- D95,819 S 6/1935 Gourlay
- 2,056,335 A 10/1936 Wettlaufer
- 2,057,821 A 10/1936 Costello
- D104,495 S 5/1937 Gallagher
- 2,156,025 A 4/1939 Paul
- 2,447,967 A 8/1948 Stone
- 2,478,468 A 8/1949 Drake
- 2,708,579 A 5/1955 Hugman
- D179,002 S 10/1956 Hoffmeister
- D179,246 S 11/1956 Gillon

(Continued)

*Primary Examiner*—Mitchell Siegel  
(74) *Attorney, Agent, or Firm*—Michael A. Catania; Elaine H. Lo

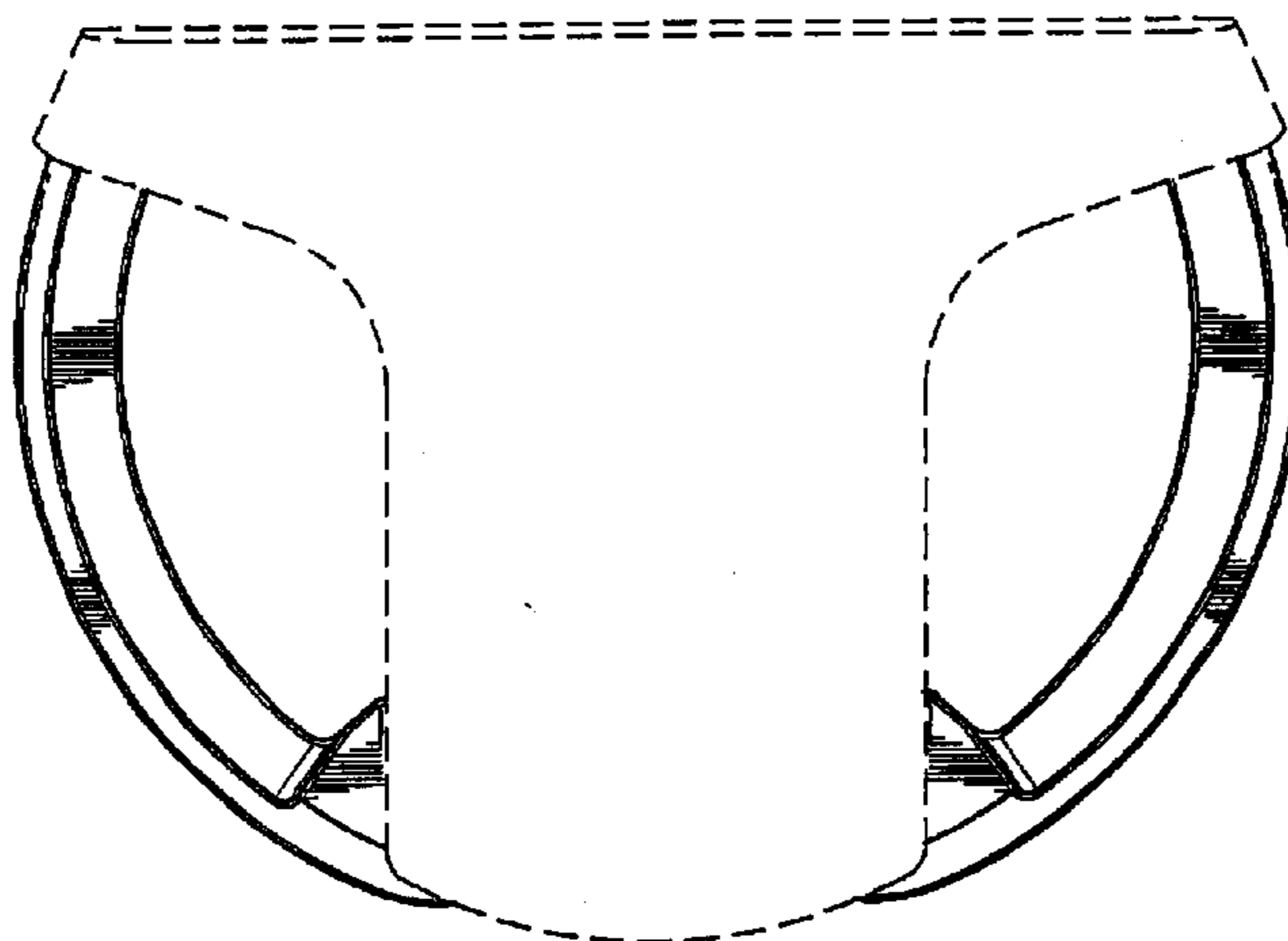
(57) **CLAIM**

The ornamental design for a putter head, as shown and described.

**DESCRIPTION**

FIG. 1 is a top view thereof;  
FIG. 2 is a bottom plan view thereof;  
FIG. 3 is a toe side view thereof; and,  
FIG. 4 is a rear view thereof.  
The broken line showing is for illustrative purposes only and forms no part of the claimed design.

**1 Claim, 2 Drawing Sheets**



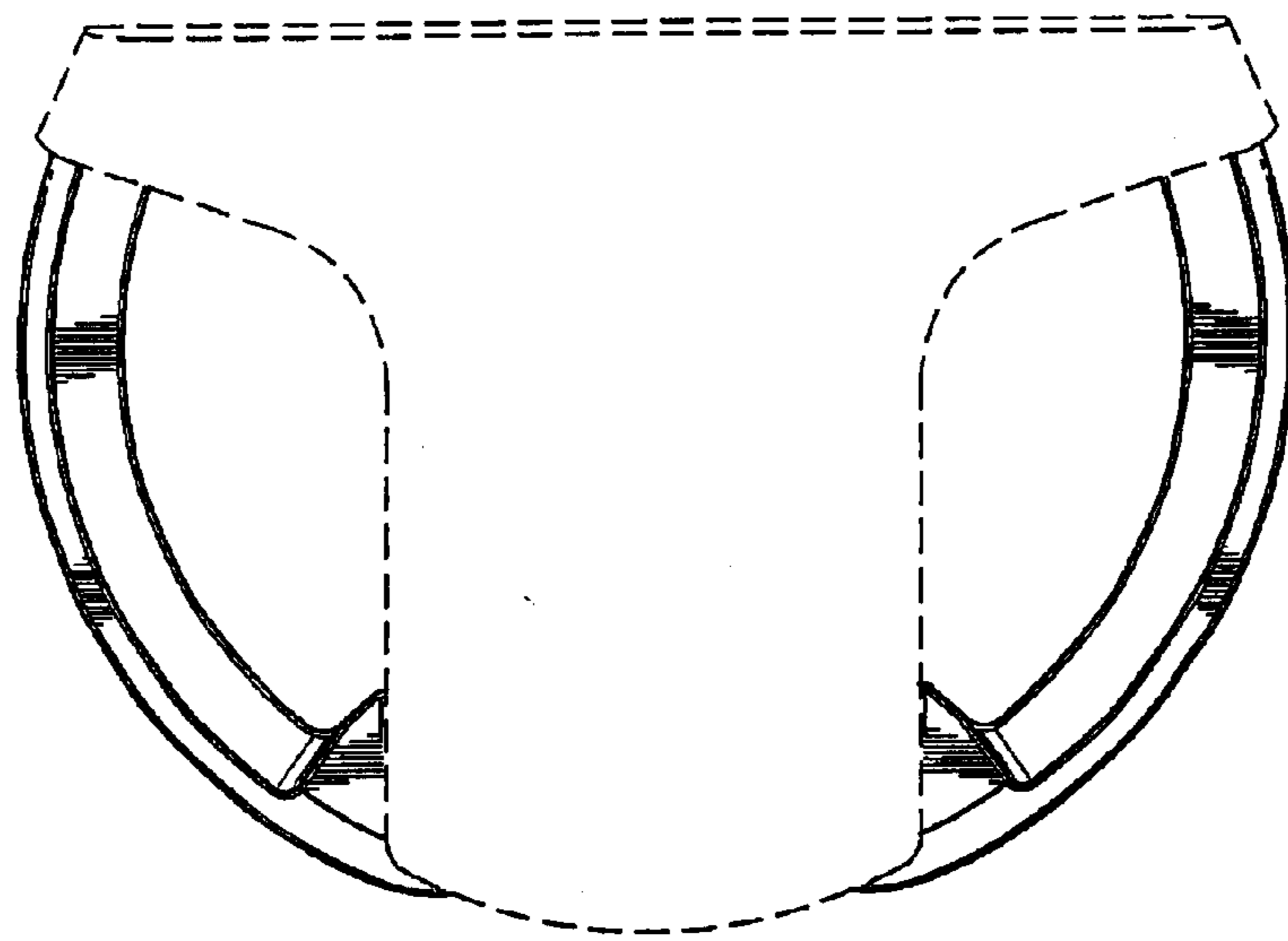
# US D539,865 S

Page 2

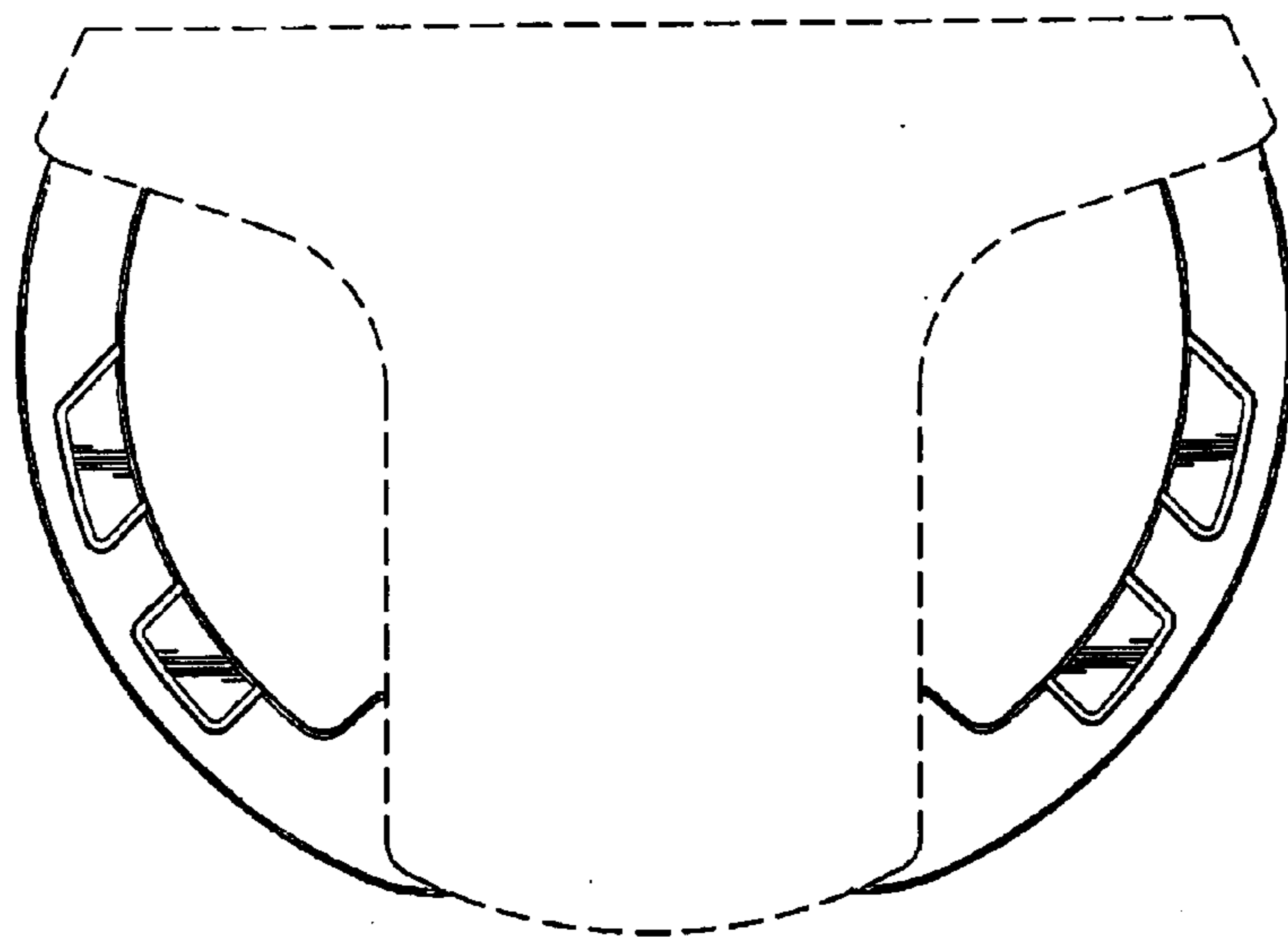
## U.S. PATENT DOCUMENTS

D230,615 S	3/1974	Delgadillo	D395,692 S	6/1998	Butler	
3,806,129 A	4/1974	Burrows	D422,328 S	4/2000	Lannoch	
3,841,640 A	10/1974	Gaulocher	D437,017 S	* 1/2001	Ford .....	D21/744
3,841,641 A	10/1974	Bennett	D448,437 S	9/2001	Colucci	
D233,616 S	11/1974	Verzillo	D458,656 S	6/2002	Tang et al.	
3,884,477 A	5/1975	Bianco	D461,514 S	8/2002	Tang et al.	
3,918,720 A	11/1975	Gordos	D461,515 S	8/2002	Tang et al.	
D241,563 S	9/1976	McCord	D461,860 S	8/2002	Tang	
D245,437 S	8/1977	Thiel	D461,861 S	8/2002	Tang et al.	
D248,050 S	5/1978	Muehl	D463,002 S	9/2002	Tang et al.	
D252,221 S	6/1979	Mariani	D467,985 S	12/2002	Tang et al.	
4,278,254 A	7/1981	Simjian	D470,904 S	2/2003	Tang et al.	
4,314,701 A	2/1982	Swanson	D477,041 S	* 7/2003	Cameron .....	D21/742
4,411,431 A	10/1983	Judice	D481,089 S	10/2003	Breier et al.	
4,444,395 A	4/1984	Reiss	D493,857 S	* 8/2004	Cameron .....	D21/738
4,688,798 A	8/1987	Pelz	D494,237 S	* 8/2004	Ware .....	D21/736
D309,765 S	8/1990	Pelz	D496,418 S	* 9/2004	Tang et al. ....	D21/738
D309,766 S	8/1990	Pelz	D506,796 S	* 6/2005	Li .....	D21/742
D317,034 S	5/1991	Pelz	D507,316 S	* 7/2005	Li .....	D21/742
D317,962 S	7/1991	Pelz	D518,127 S	* 3/2006	Tang et al. ....	D21/742
5,685,784 A	11/1997	Butler				

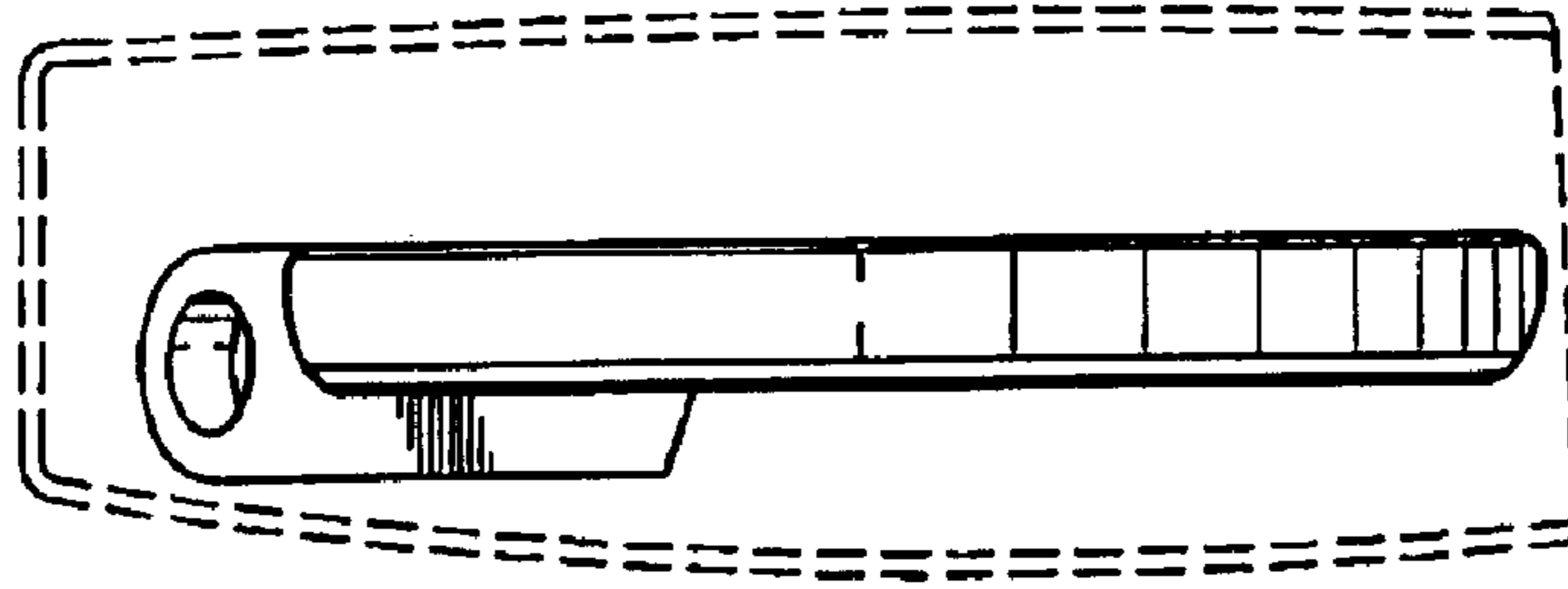
\* cited by examiner



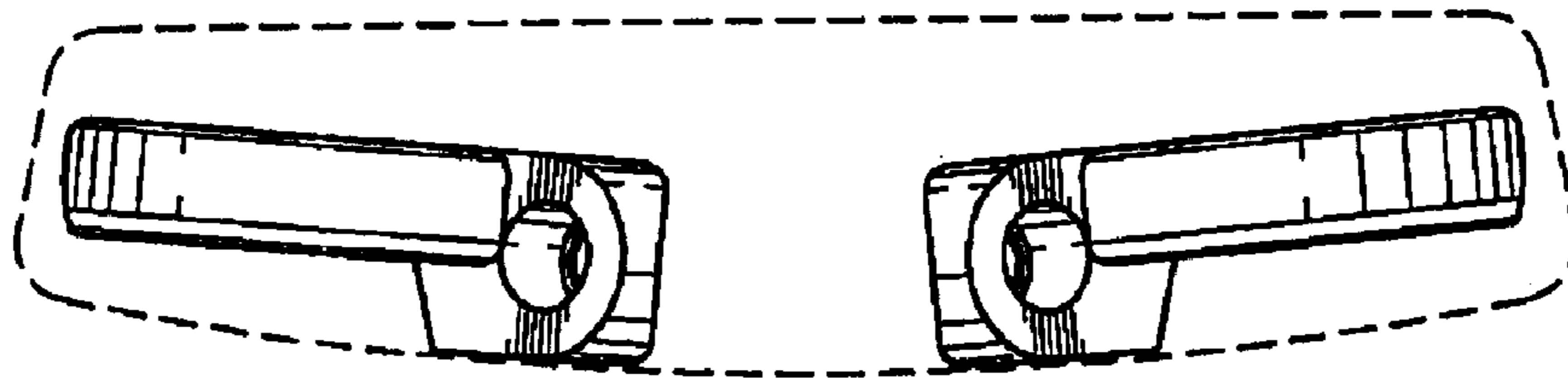
*FIG. 1*



*FIG. 2*



*FIG. 3*



*FIG. 4*