



US00D539862S

(12) **United States Design Patent**
Nunez et al.

(10) **Patent No.:** **US D539,862 S**

(45) **Date of Patent:** **** Apr. 3, 2007**

(54) **GOLF CLUB IRON**

(75) Inventors: **Robert Nunez**, San Pedro, CA (US);
Sherry L. Jones, Pataskala, OH (US);
Chad Alan Haas, Powell, OH (US);
John Francis Lorentzen, El Cajon, CA
(US); **Jose Mirafior**, Oceanside, CA
(US); **Marni Ines**, San Marcos, CA
(US); **Craig Kevin Barez**, Temecula,
CA (US)

(73) Assignee: **Taylor Made Golf Company, Inc.**,
Carlsbad, CA (US)

(**) Term: **14 Years**

(21) Appl. No.: **29/257,858**

(22) Filed: **Apr. 10, 2006**

(51) **LOC (8) Cl.** **21-02**

(52) **U.S. Cl.** **D21/748**

(58) **Field of Classification Search** D21/747-751,
D21/759; 473/324-331, 350

See application file for complete search history.

(56) **References Cited**

U.S. PATENT DOCUMENTS

5,074,563	A	*	12/1991	Gorman	473/350
D336,672	S	*	6/1993	Gorman	D21/749
D358,188	S	*	5/1995	Fenton	D21/749
D425,592	S		5/2000	Sodano et al.		
D444,195	S		6/2001	Wahl et al.		
D445,157	S		7/2001	Jones et al.		
D475,108	S	*	5/2003	Madore	D21/759
D475,428	S	*	6/2003	Madore	D21/759
D476,708	S		7/2003	Wahl et al.		
D478,952	S	*	8/2003	Greene	D21/759
D481,432	S	*	10/2003	Greene	D21/748
D487,127	S	*	2/2004	Madore	D21/759
D489,106	S		4/2004	Wahl et al.		
D490,129	S	*	5/2004	Greene	D21/748
D496,973	S		10/2004	Wahl et al.		

D497,963	S		11/2004	Toulon et al.		
D501,035	S		1/2005	Wahl et al.		
D511,553	S	*	11/2005	Madore	D21/759
D512,474	S	*	12/2005	Madore	D21/759
D512,475	S	*	12/2005	Madore	D21/759
D516,152	S	*	2/2006	Madore	D21/759
D518,538	S		4/2006	Ines et al.		

OTHER PUBLICATIONS

“rac Forged TP Irons,” TaylorMade 2005 Catalog #35767001, p. 21, 2005.

“rac HT Irons,” TaylorMade 2005 Catalog #35767001, p. 20, 2005.

“rac OS Irons,” TaylorMade 2005 Catalog #35767001, p. 18, 2005.

* cited by examiner

Primary Examiner—Mitchell Siegel

(74) *Attorney, Agent, or Firm*—Klarquist Sparkman, LLP

(57) **CLAIM**

We claim the ornamental design for a golf club iron, as shown and described.

DESCRIPTION

FIG. 1 is a perspective view of a golf club iron, as viewed from the rear, top, and one side thereof, according to one embodiment.

FIG. 2 is a rear elevation view of the golf club iron of FIG. 1.

FIG. 3 is a top plan view of the golf club iron of FIG. 1.

FIG. 4 is a front elevation view of the golf club iron of FIG. 1.

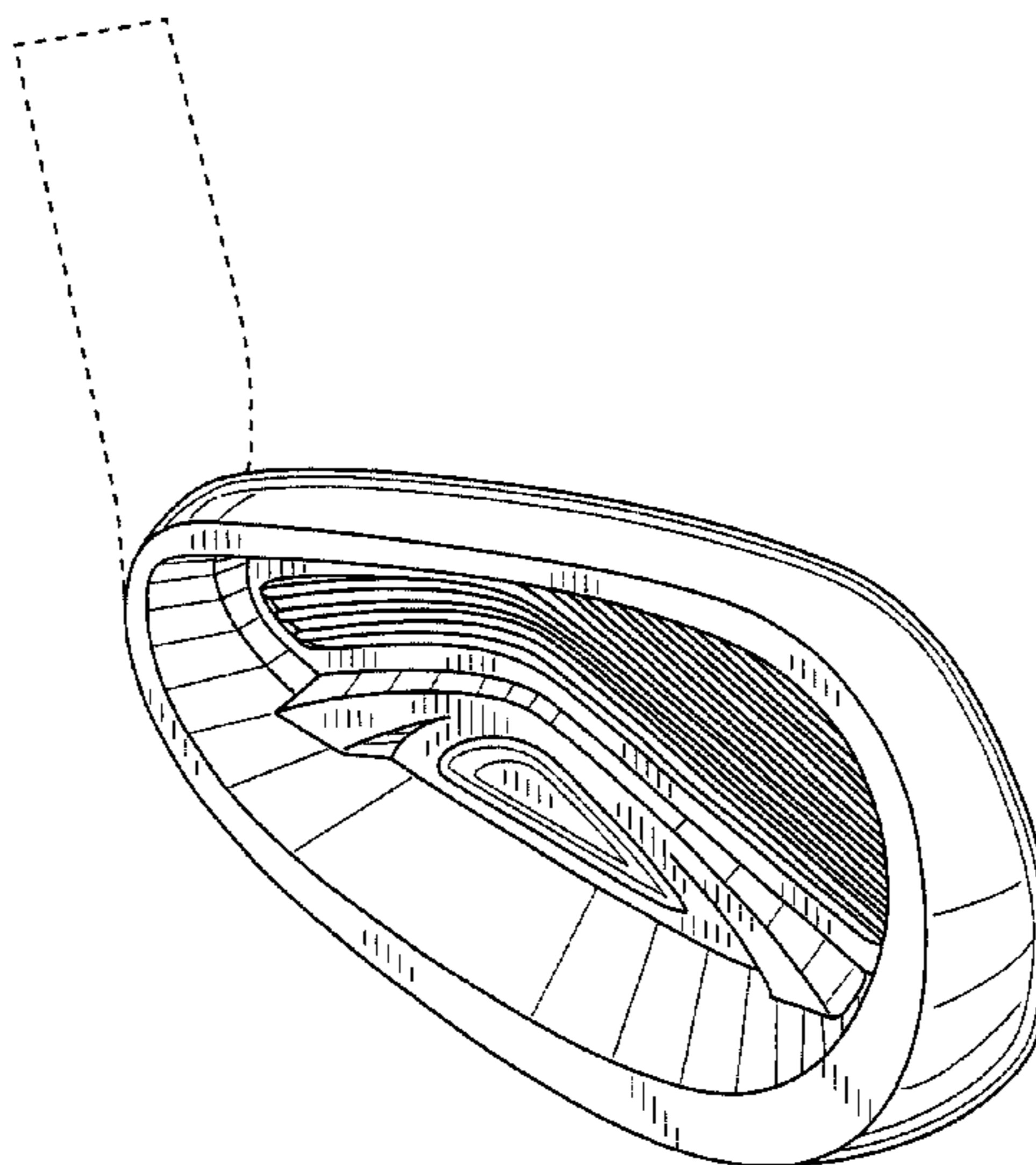
FIG. 5 is a bottom plan view of the golf club iron of FIG. 1.

FIG. 6 is a side elevation view of the heel of the golf club iron of FIG. 1; and,

FIG. 7 is a side elevation view of the toe of the golf club iron of FIG. 1.

The dashed lines in the drawings are for illustrative purpose only and form no part of the claimed design.

1 Claim, 3 Drawing Sheets



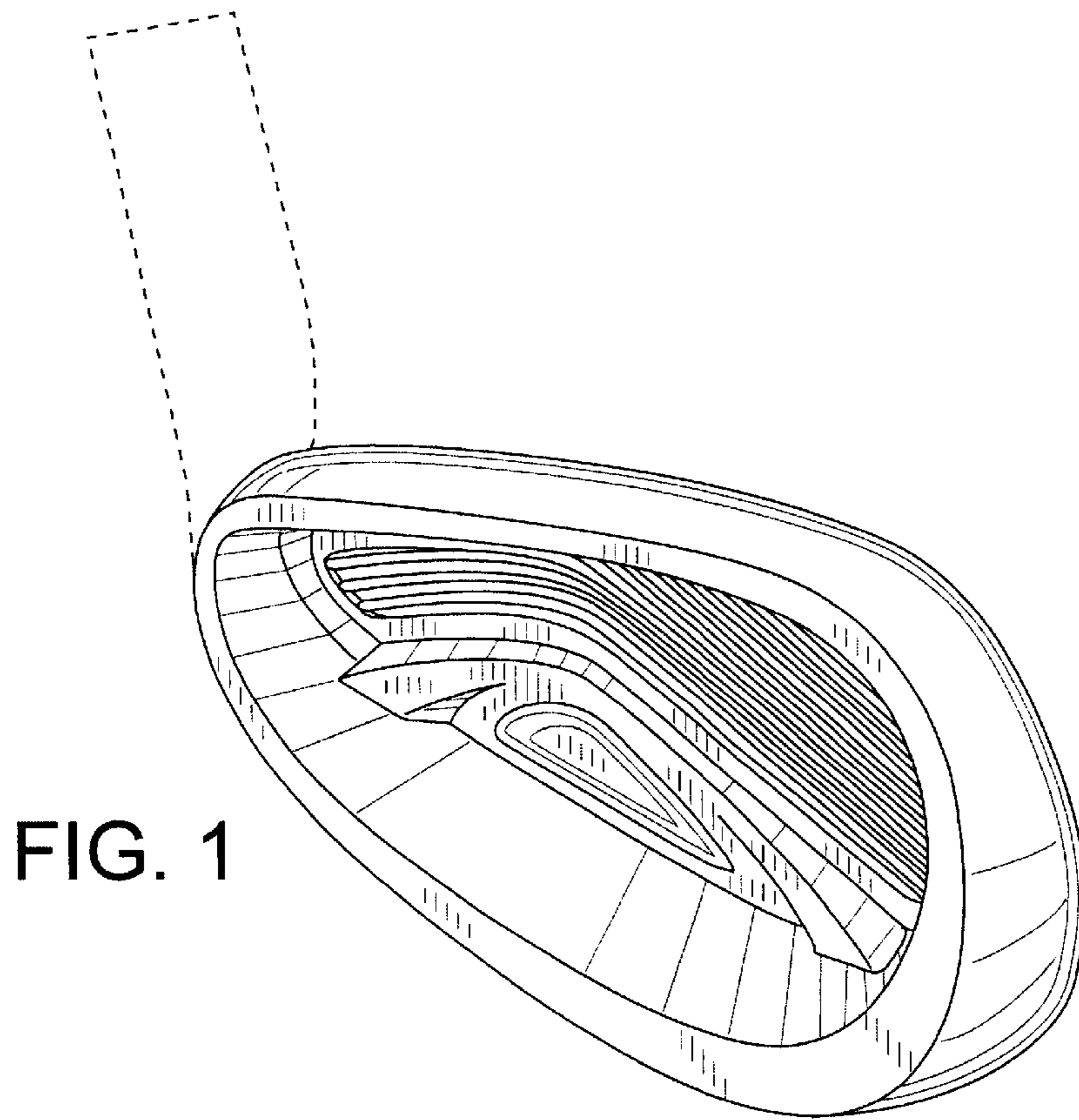


FIG. 1

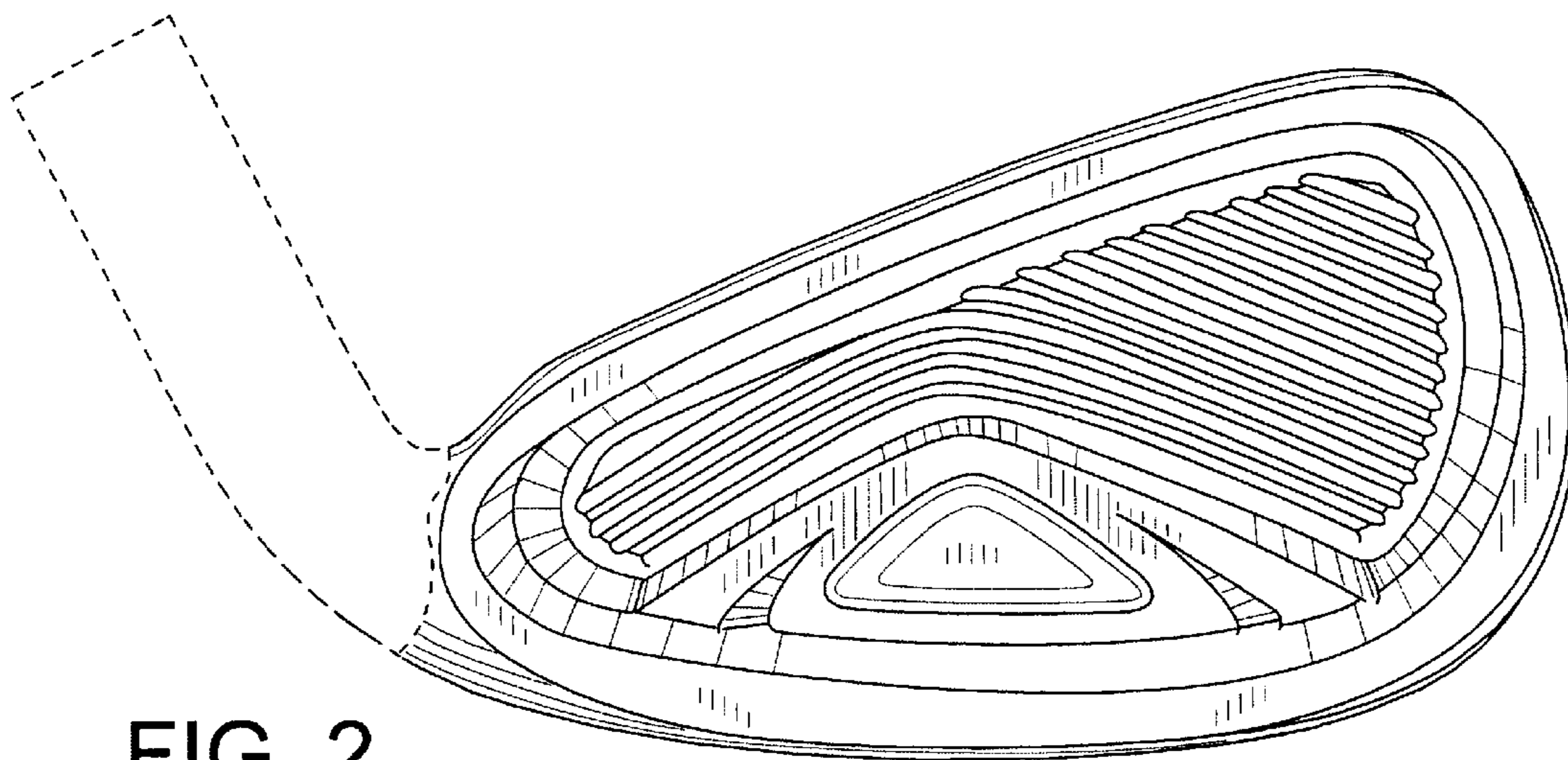


FIG. 2

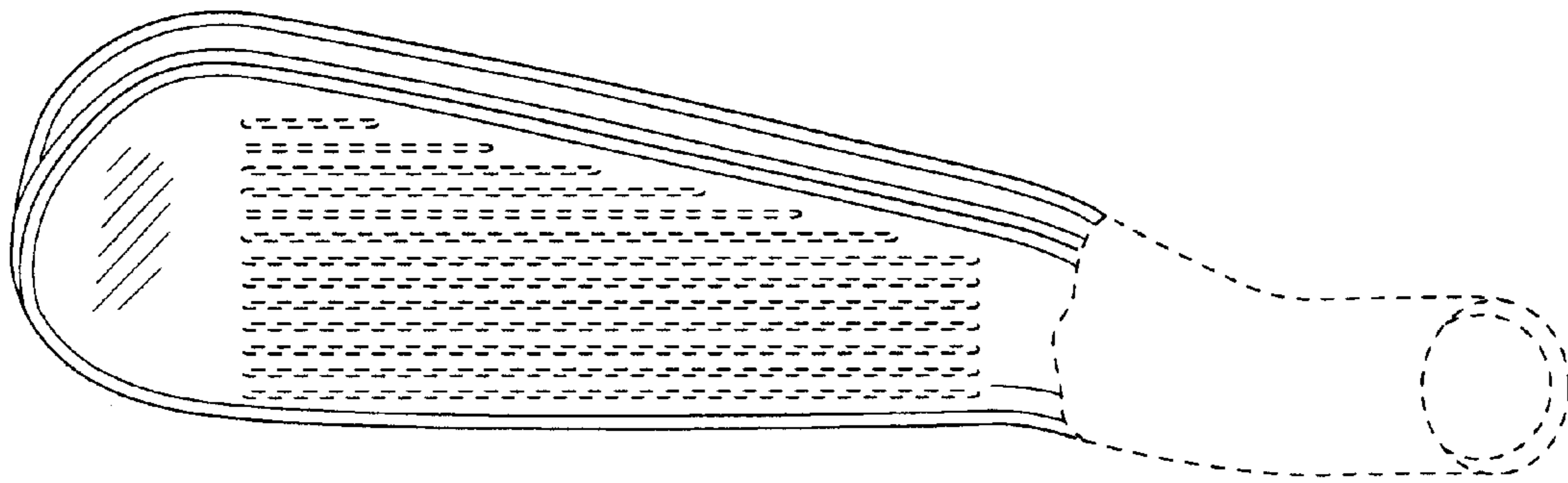


FIG. 3

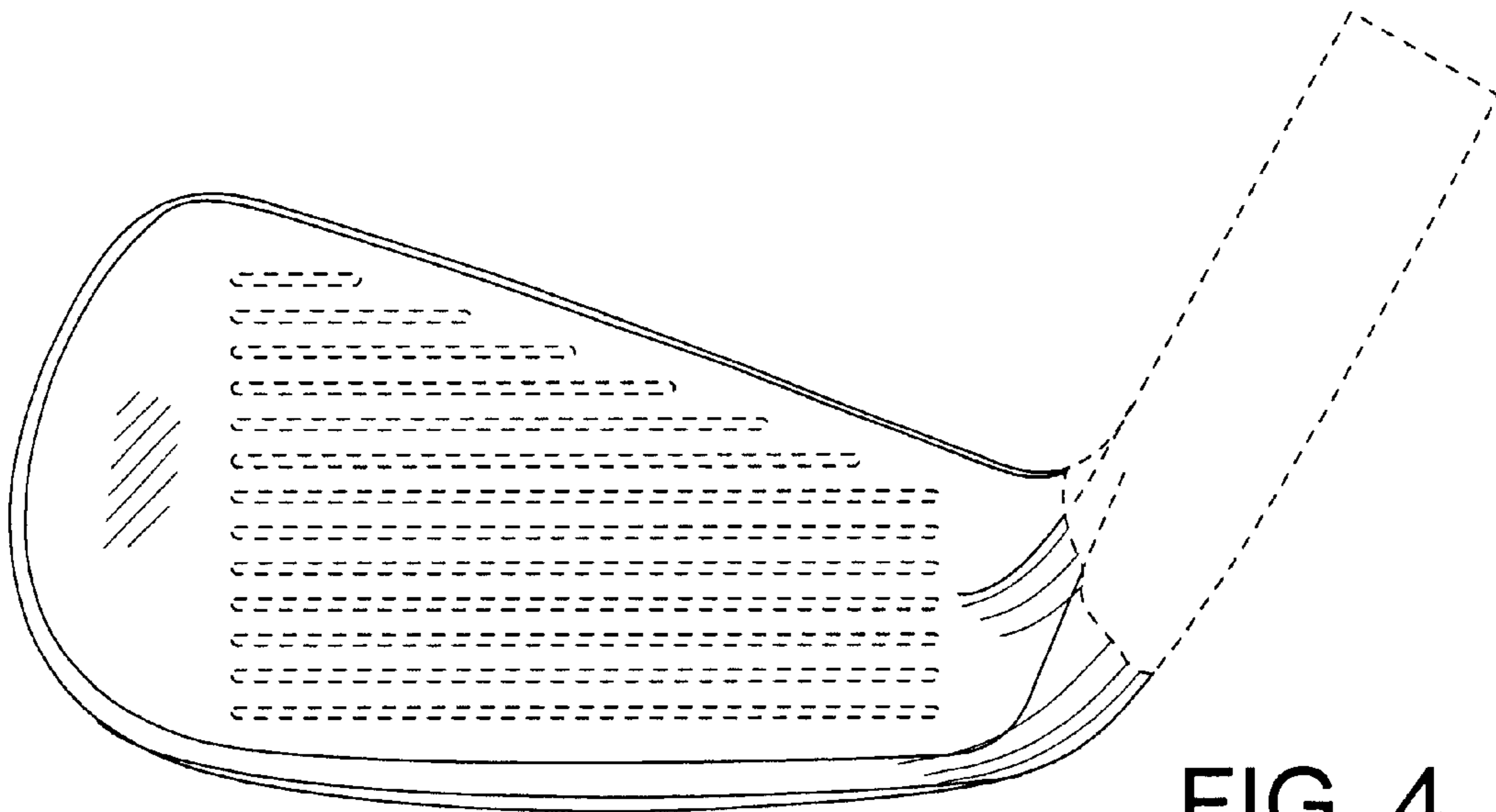


FIG. 4

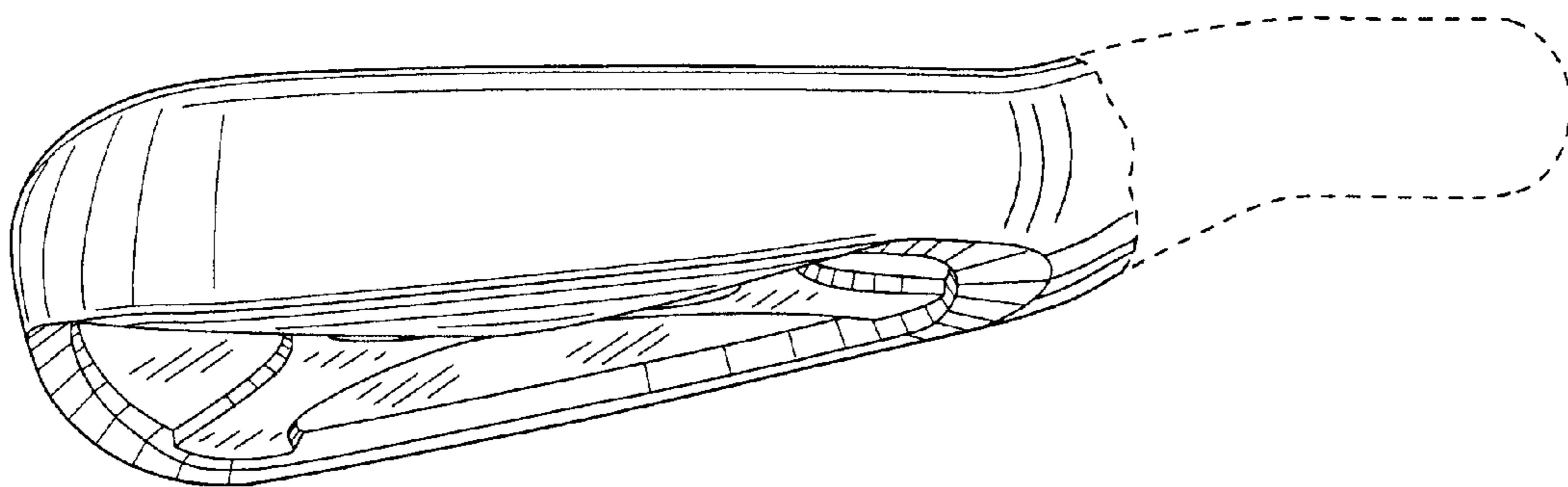


FIG. 5

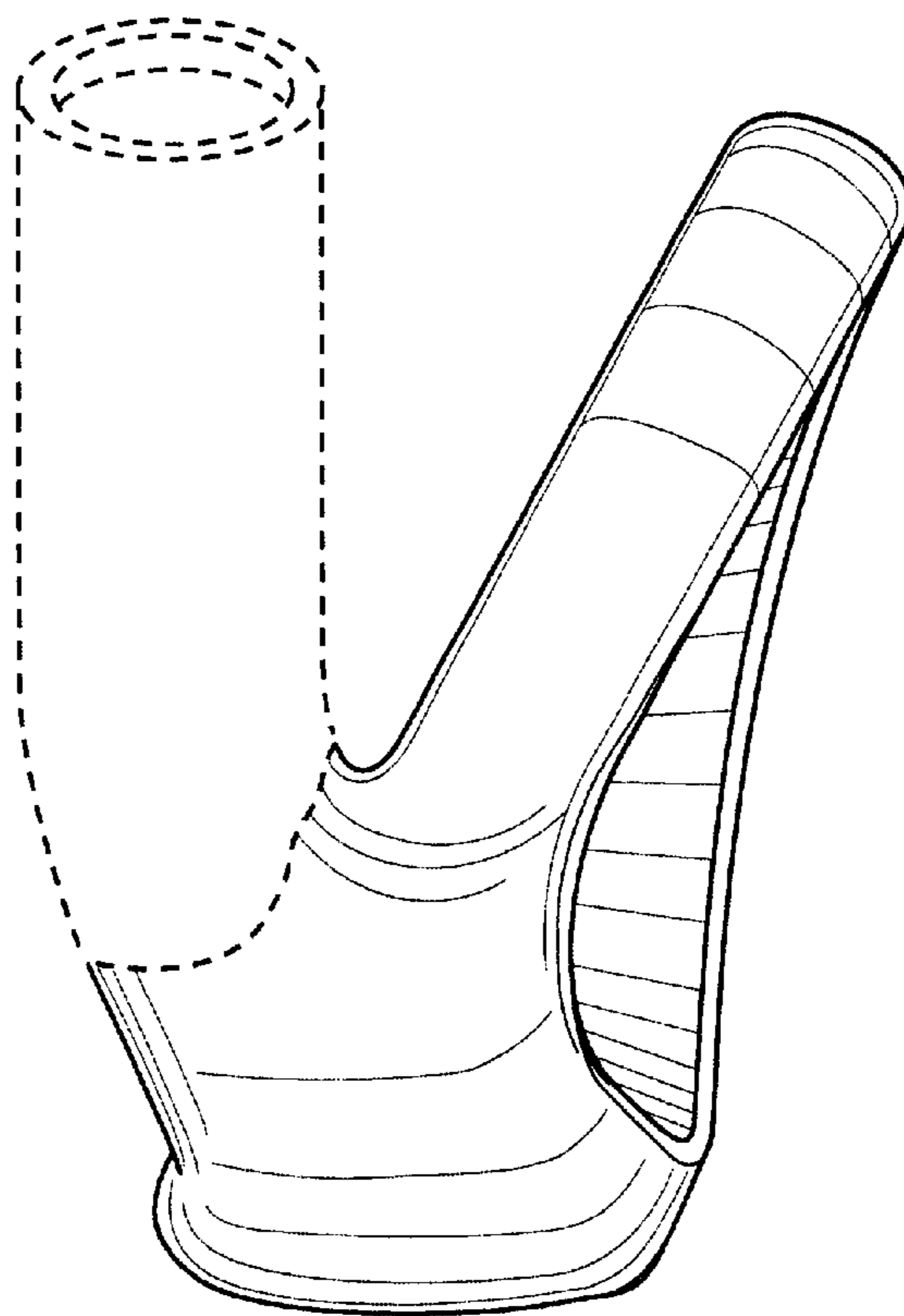


FIG. 6

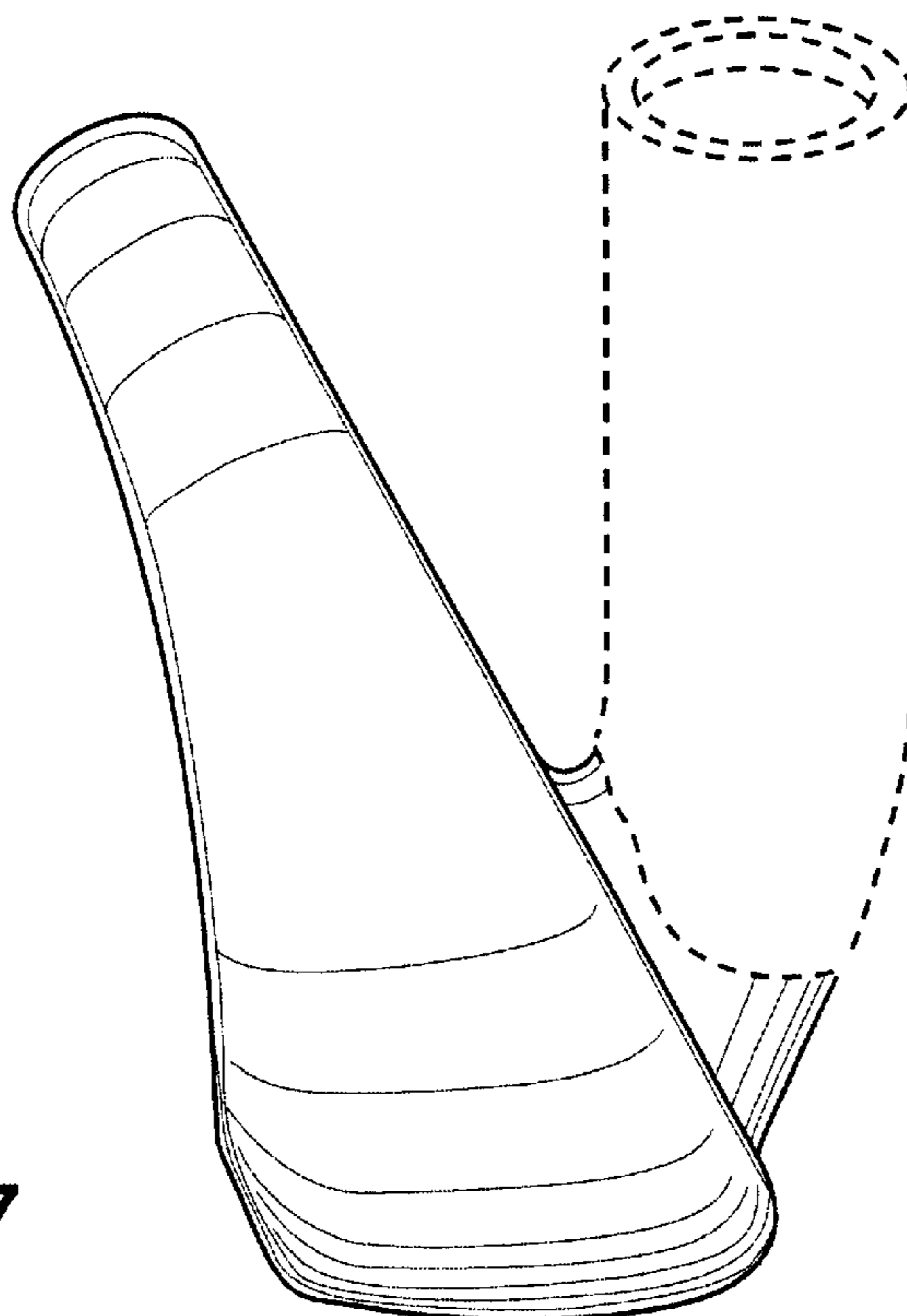


FIG. 7