



US00D539860S

(12) **United States Design Patent** (10) **Patent No.:** **US D539,860 S**
Fussell (45) **Date of Patent:** **** Apr. 3, 2007**

(54) **GOLF PUTTER HEAD WITH ALIGNMENT AND WEIGHT SYSTEMS**

(76) Inventor: **Travis L. Fussell**, 1445 Waterford Dr., Little Elm, TX (US) 75068

(**) Term: **14 Years**

(21) Appl. No.: **29/246,467**

(22) Filed: **Apr. 14, 2006**

Related U.S. Application Data

(63) Continuation-in-part of application No. 29/218,411, filed on Dec. 2, 2004, now Pat. No. Des. 523,499, and a continuation-in-part of application No. 10/841,077, filed on May 7, 2004, now abandoned.

(51) **LOC (8) Cl.** **21-02**

(52) **U.S. Cl.** **D21/744**

(58) **Field of Classification Search** D21/736-746;
473/324-331, 340, 341, 251-256

See application file for complete search history.

(56) **References Cited**

U.S. PATENT DOCUMENTS

D254,437 S *	3/1980	Ohta et al.	D21/735
4,688,798 A *	8/1987	Pelz	473/249
D309,765 S *	8/1990	Pelz	D21/735
D317,962 S *	7/1991	Pelz	D21/735
D389,206 S *	1/1998	Takahashi	D21/745
6,663,497 B2 *	12/2003	Cameron	473/245
D494,237 S *	8/2004	Ware	D21/736
D499,778 S *	12/2004	Cameron	D21/742
D506,796 S *	6/2005	Li	D21/742
D507,316 S *	7/2005	Li	D21/742
D507,613 S *	7/2005	Baiocchi	D21/742
D523,499 S *	6/2006	Fussell	D21/744

* cited by examiner

Primary Examiner—Mitchell Siegel

(57) **CLAIM**

The ornamental design for a golf putter head with alignment and weight systems, as shown and described.

DESCRIPTION

FIG. 1 is a perspective view of a golf putter head incorporating the new design;

FIG. 2 is a top plan view thereof;

FIG. 3 is a bottom plan view thereof;

FIG. 4 is a front elevational view thereof;

FIG. 5 is a rear elevational view thereof;

FIG. 6 is a right side elevational view thereof, the undisclosed opposite side being a mirror image;

FIG. 7 is an exploded perspective view thereof;

FIG. 8 is a perspective view of a second embodiment of the golf putter head disclosed in FIG. 1;

FIG. 9 is a perspective view of a third embodiment of the golf putter head disclosed in FIG. 1;

FIG. 10 is a top plan view of FIG. 9;

FIG. 11 is a bottom plan view of FIG. 9;

FIG. 12 is a front elevational view of FIG. 9;

FIG. 13 is a right side elevational view of FIG. 9, the undisclosed opposite side being a mirror image;

FIG. 14 is a top plan view of a fourth embodiment of the golf putter head disclosed in FIG. 1;

FIG. 15 is a plan view of a top fifth embodiment of the golf putter head disclosed in FIG. 1;

FIG. 16 is a top plan view of a sixth embodiment of the golf putter head disclosed in FIG. 1;

FIG. 17 is a top plan view of a seventh embodiment of the golf putter head disclosed in FIG. 1;

FIG. 18 is a top plan view of an eighth embodiment of the golf putter head disclosed in FIG. 1;

FIG. 19 is a top plan view of a ninth embodiment of the golf putter head disclosed in FIG. 1; and,

FIG. 20 is a top plan view of a tenth embodiment of the golf putter head disclosed in FIG. 1.

The undisclosed sides of embodiments 2—10 are identical to those disclosed in the first embodiment.

The figures disclosed are for a right-handed golfer. The undisclosed left-handed version would be a mirror image.

The broken line showing is for illustrative purposes only and forms no part of the claimed design.

1 Claim, 6 Drawing Sheets

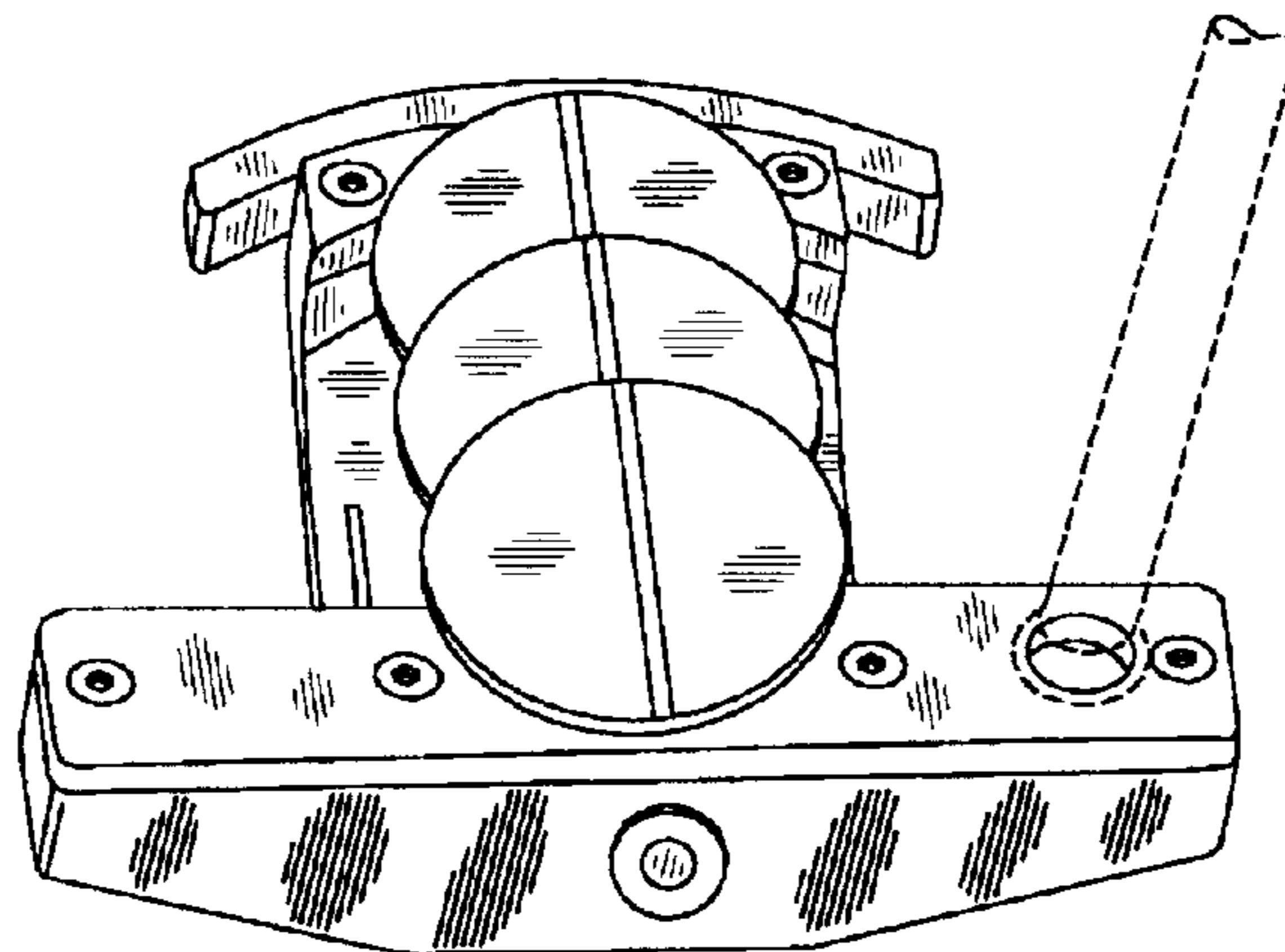


FIG. 1

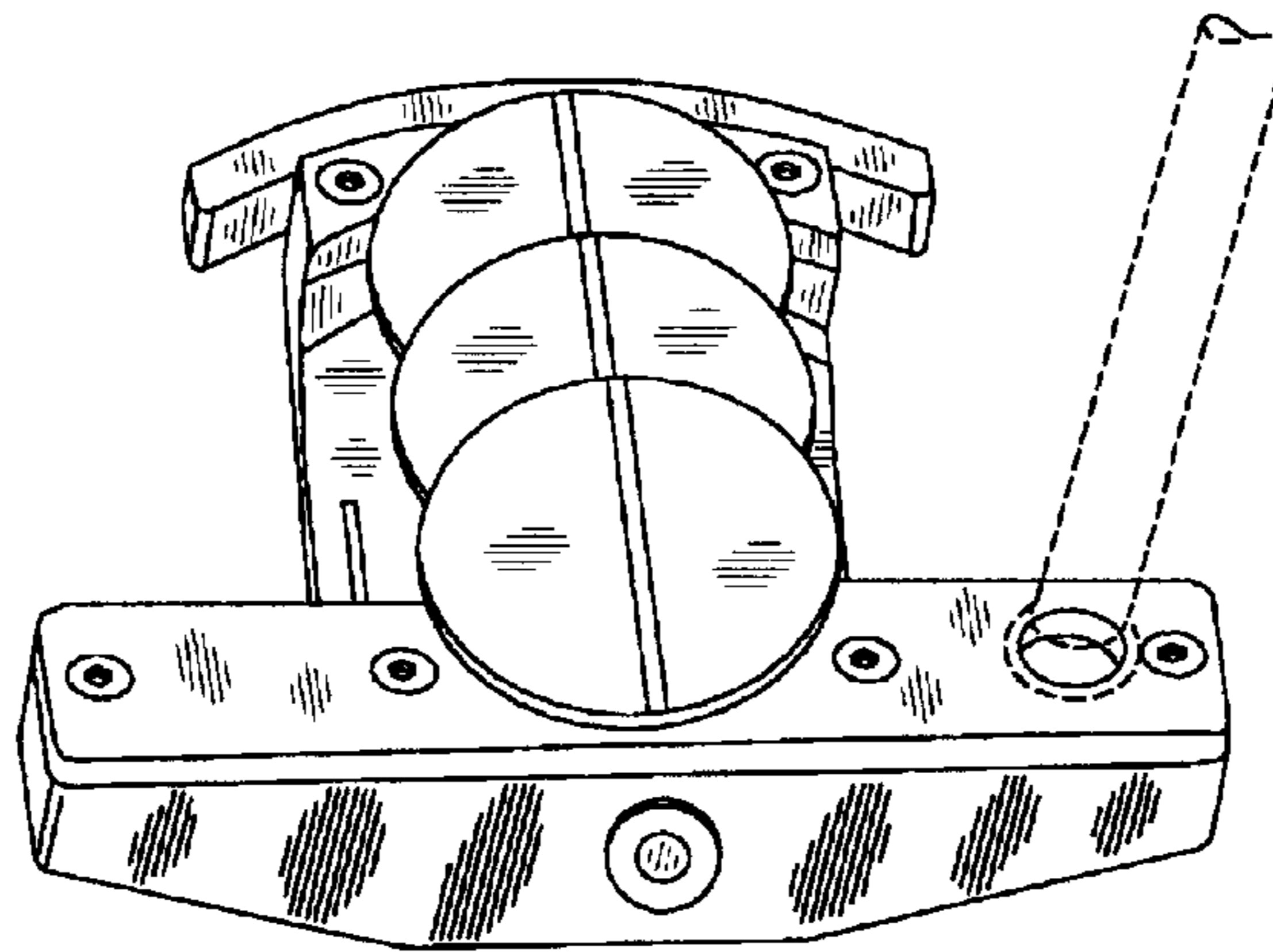


FIG. 2

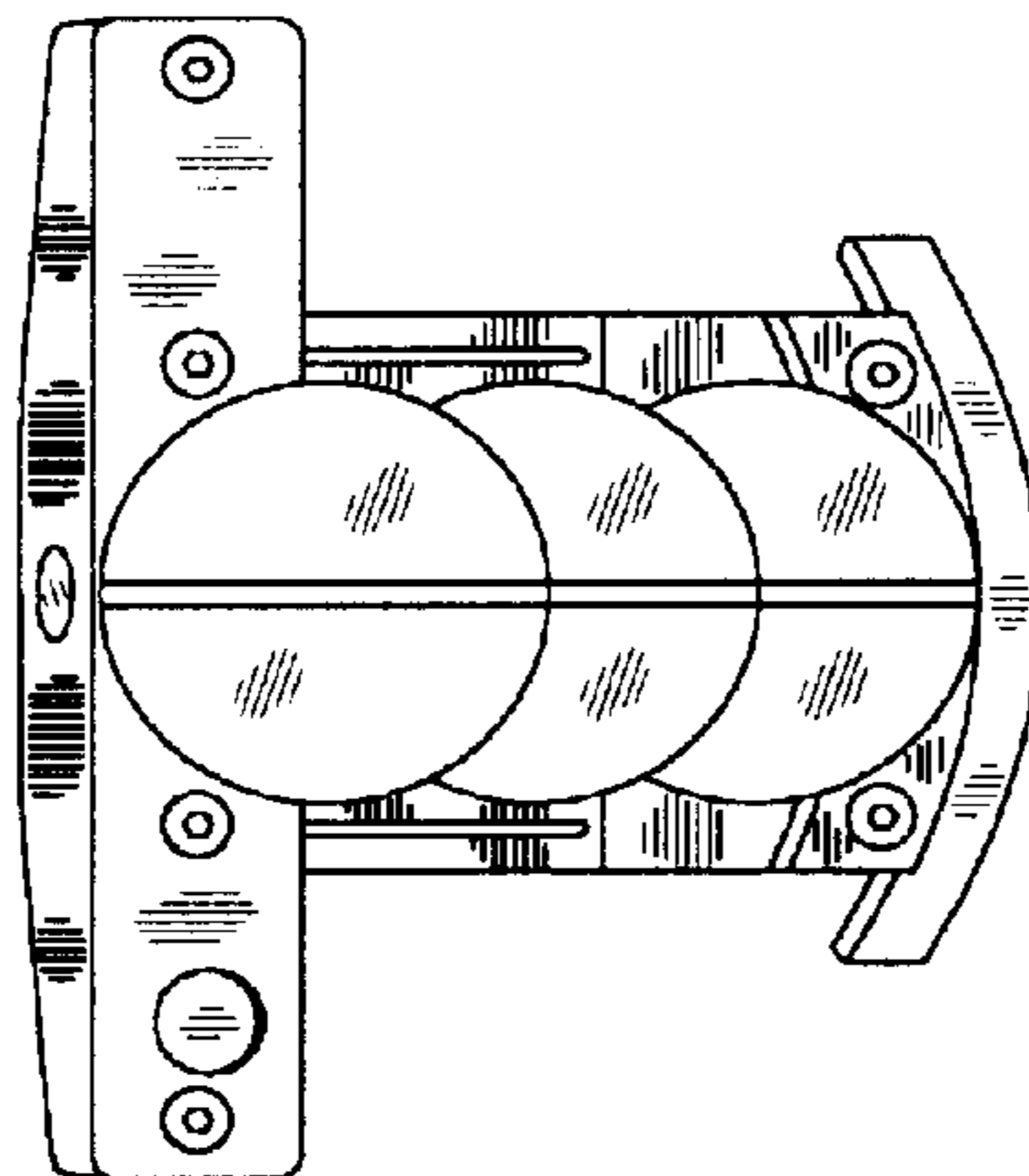


FIG. 3

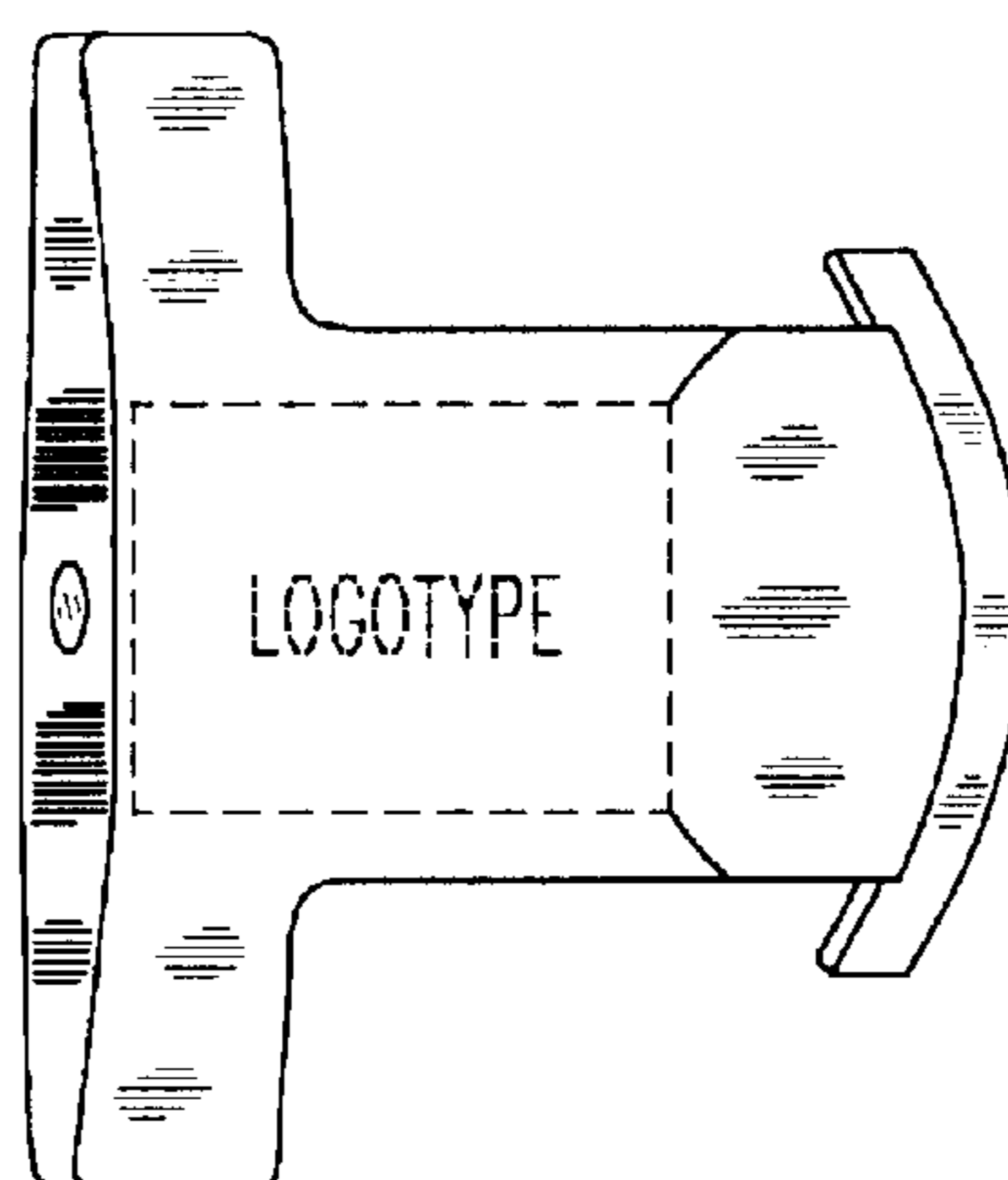


FIG. 4

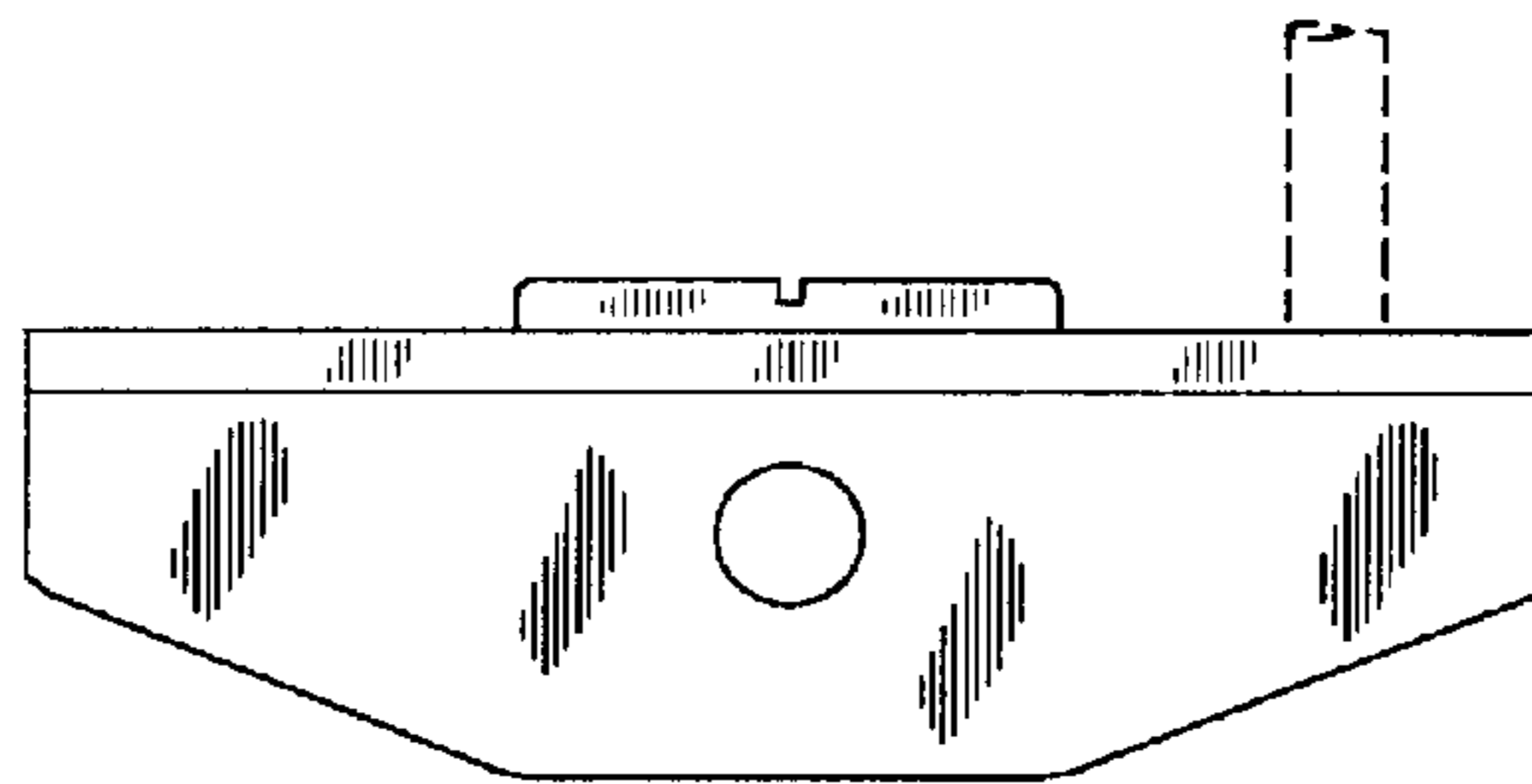


FIG. 5

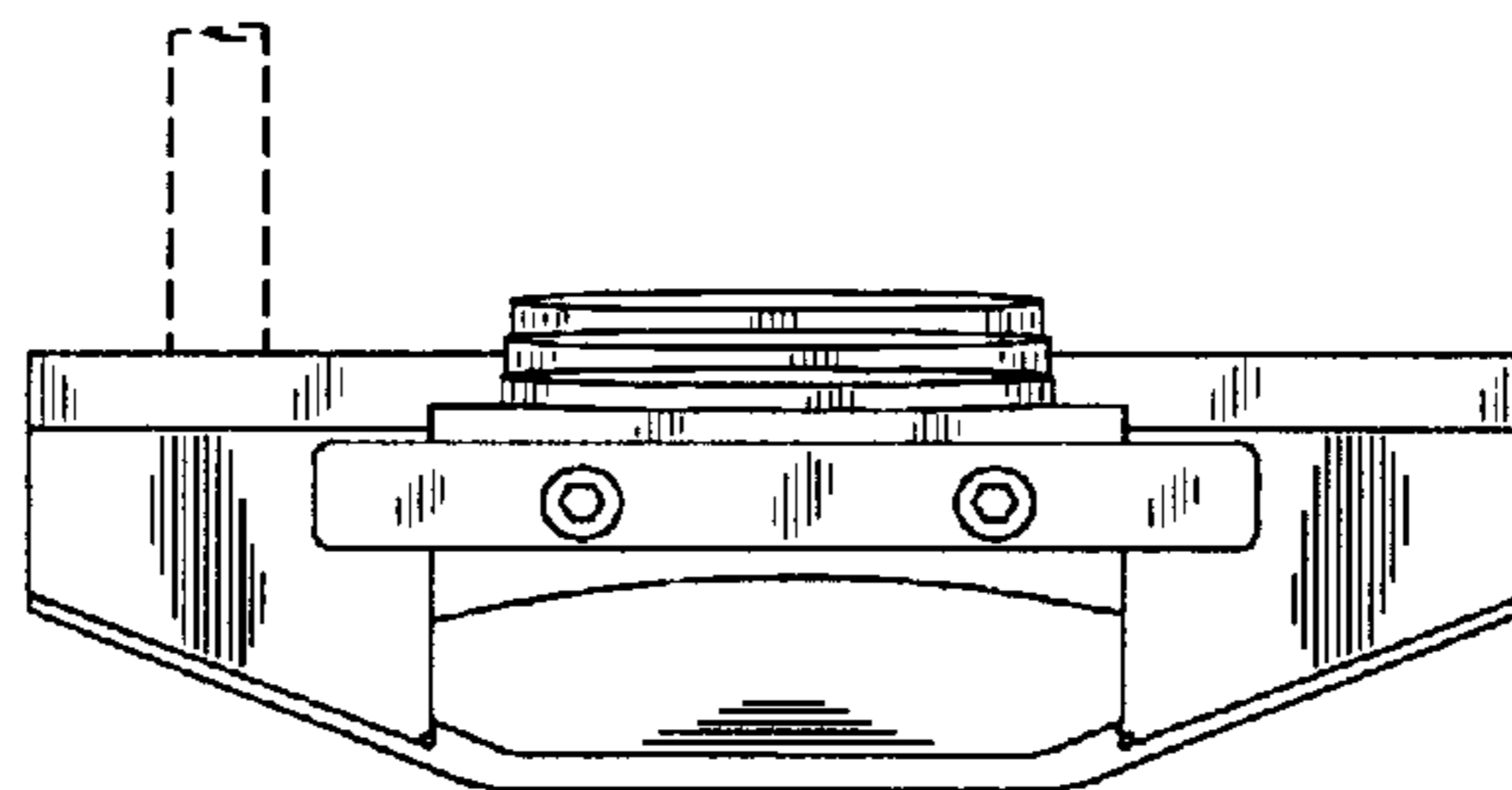


FIG. 6

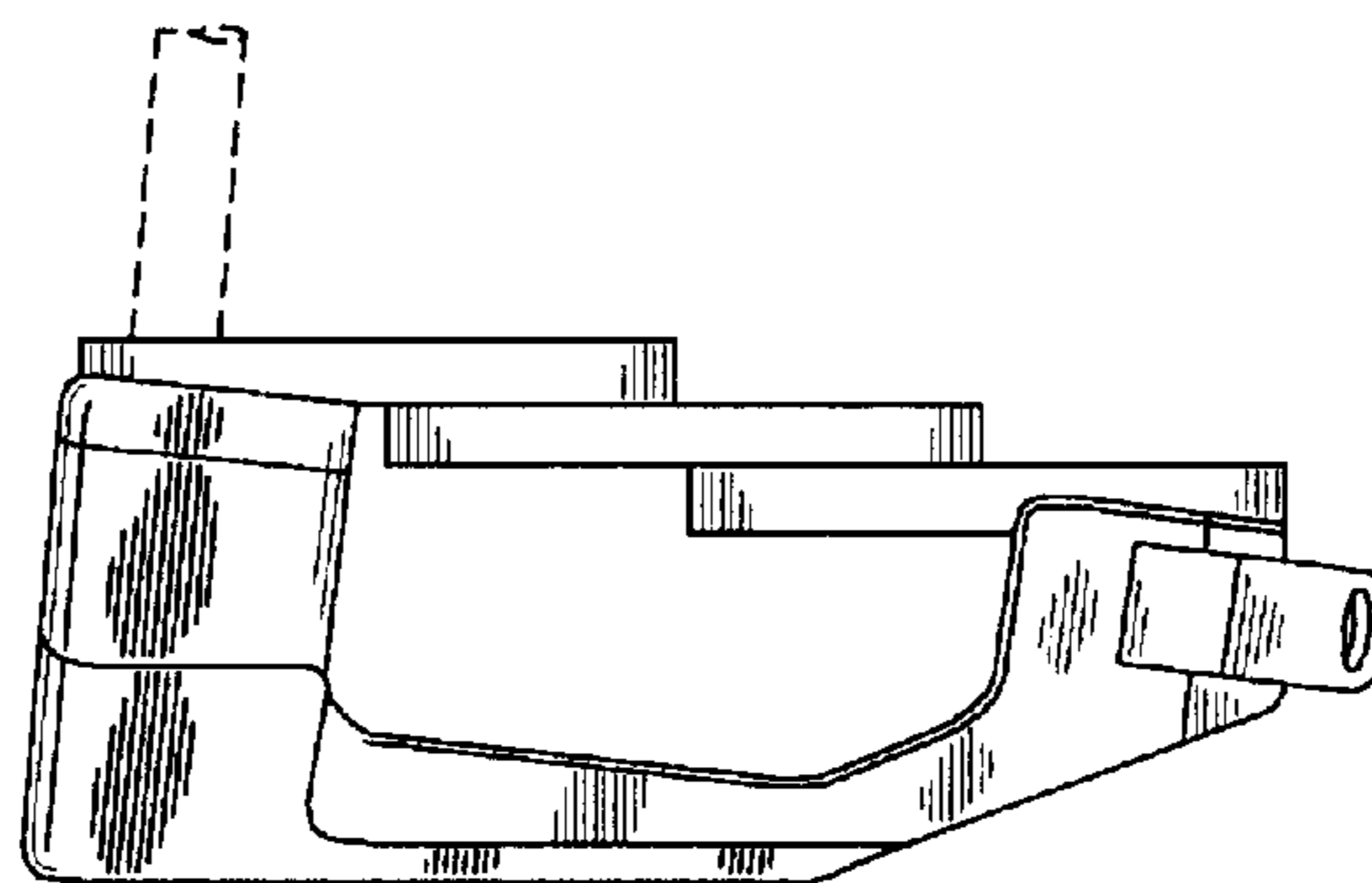
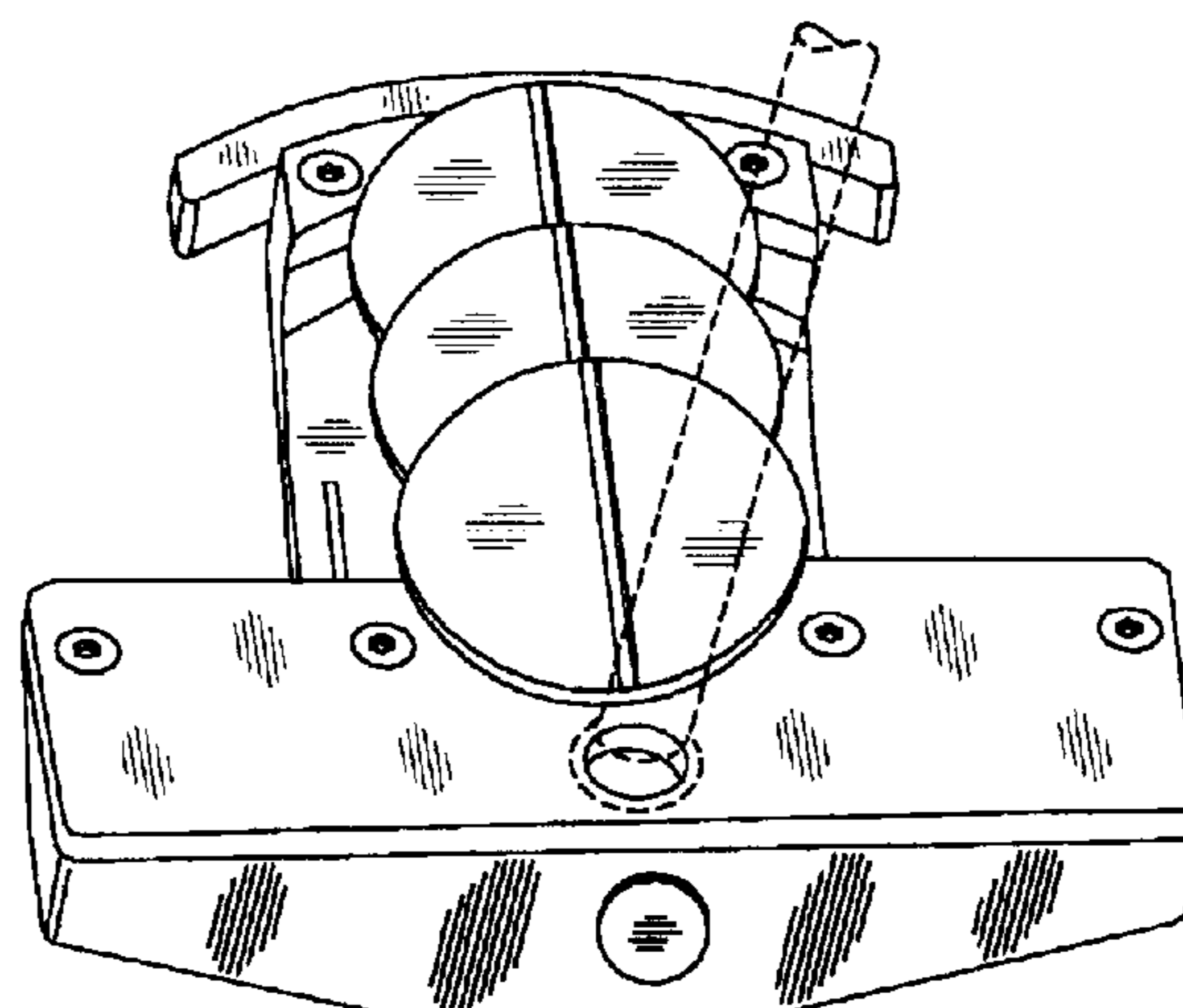


FIG. 8



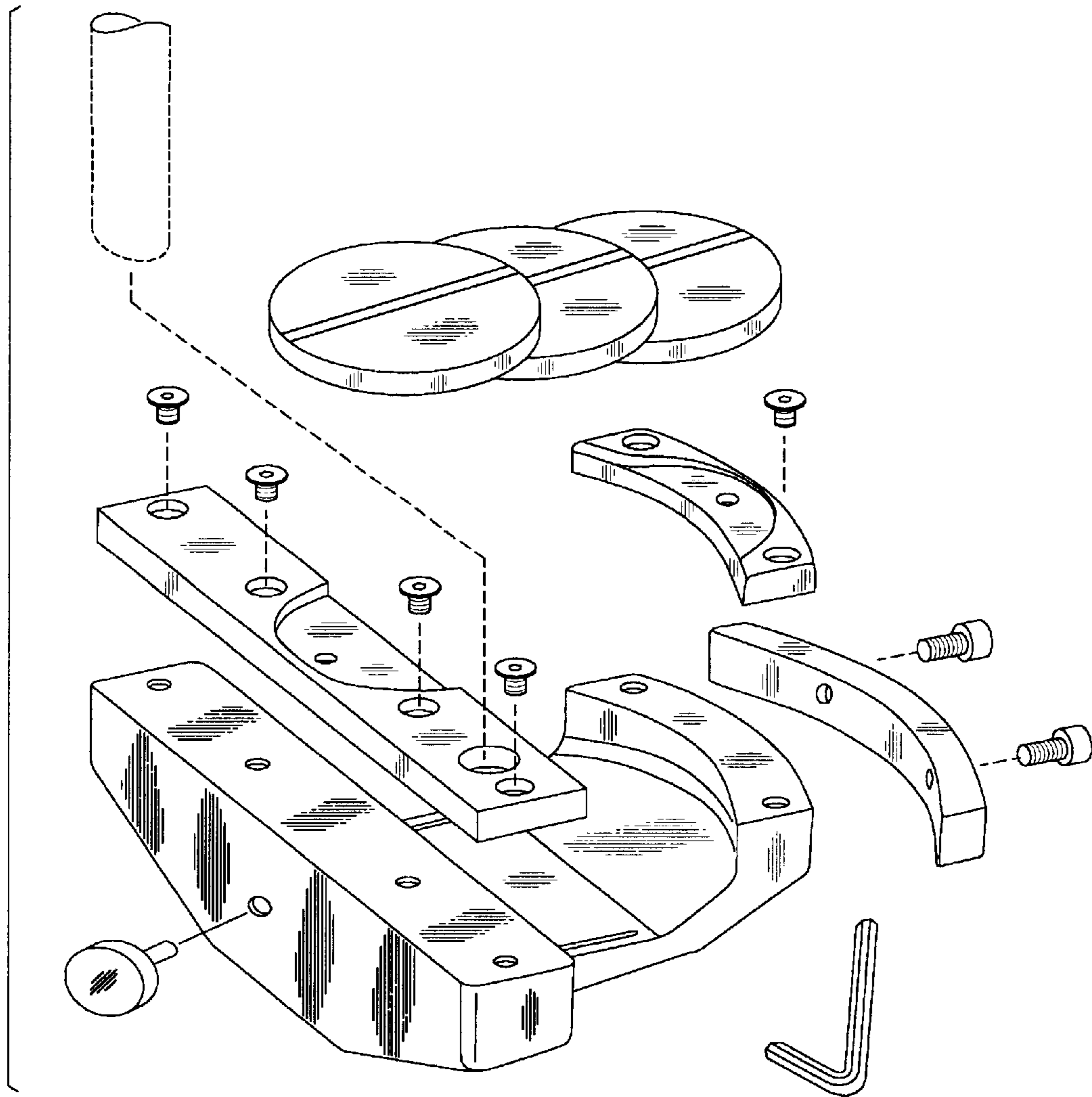


FIG. 7

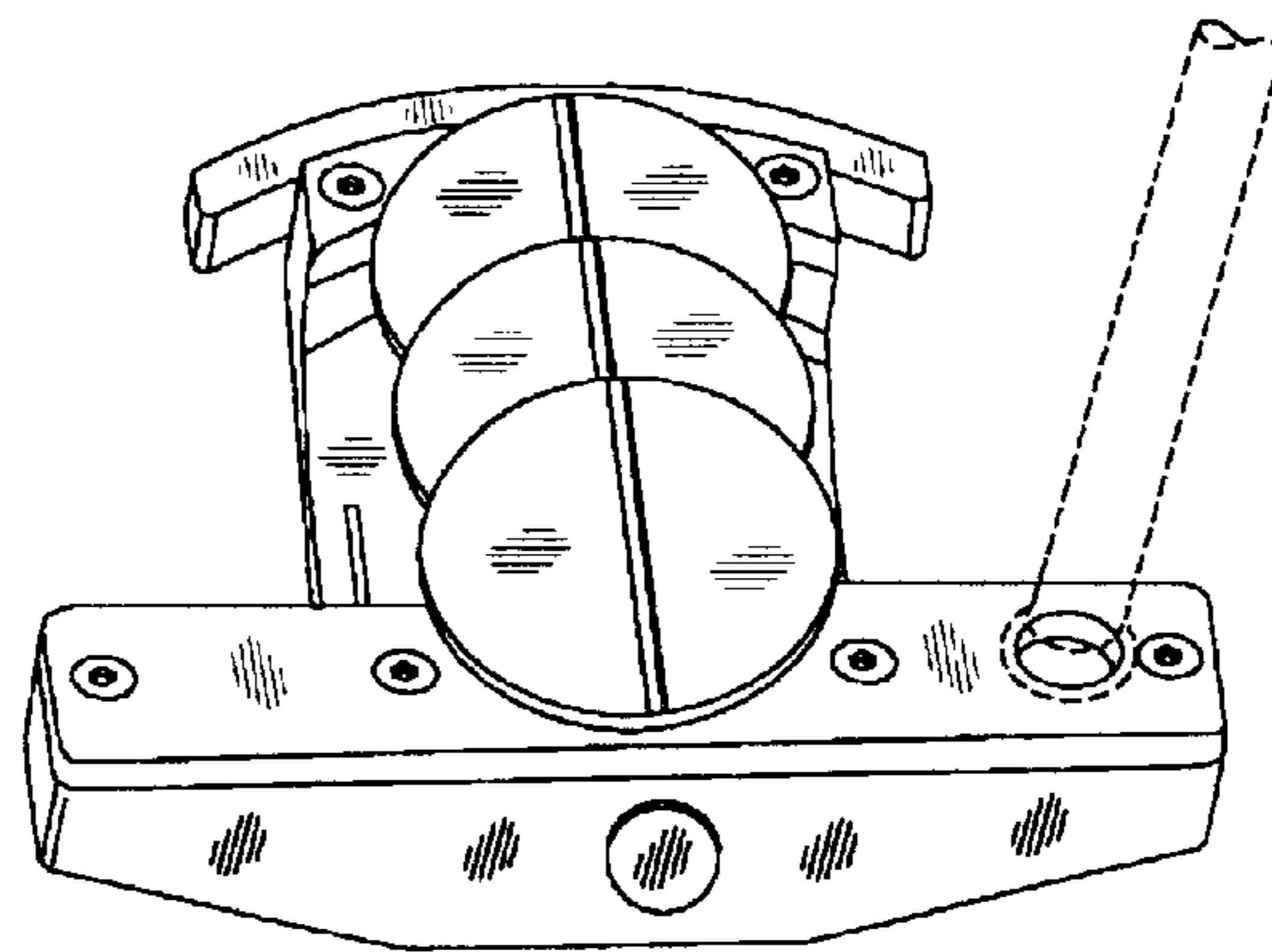


FIG. 9

FIG. 10

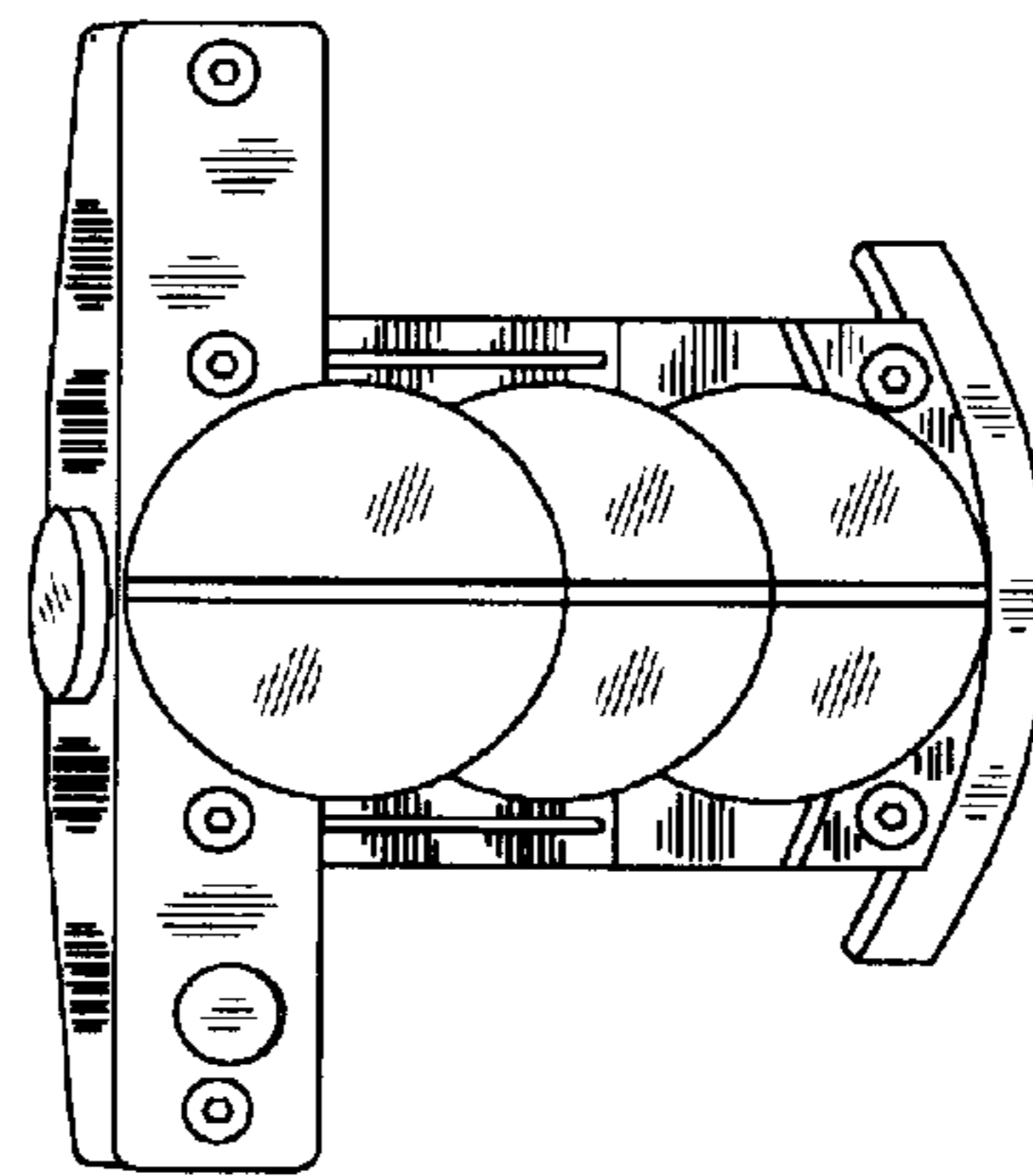


FIG. 11

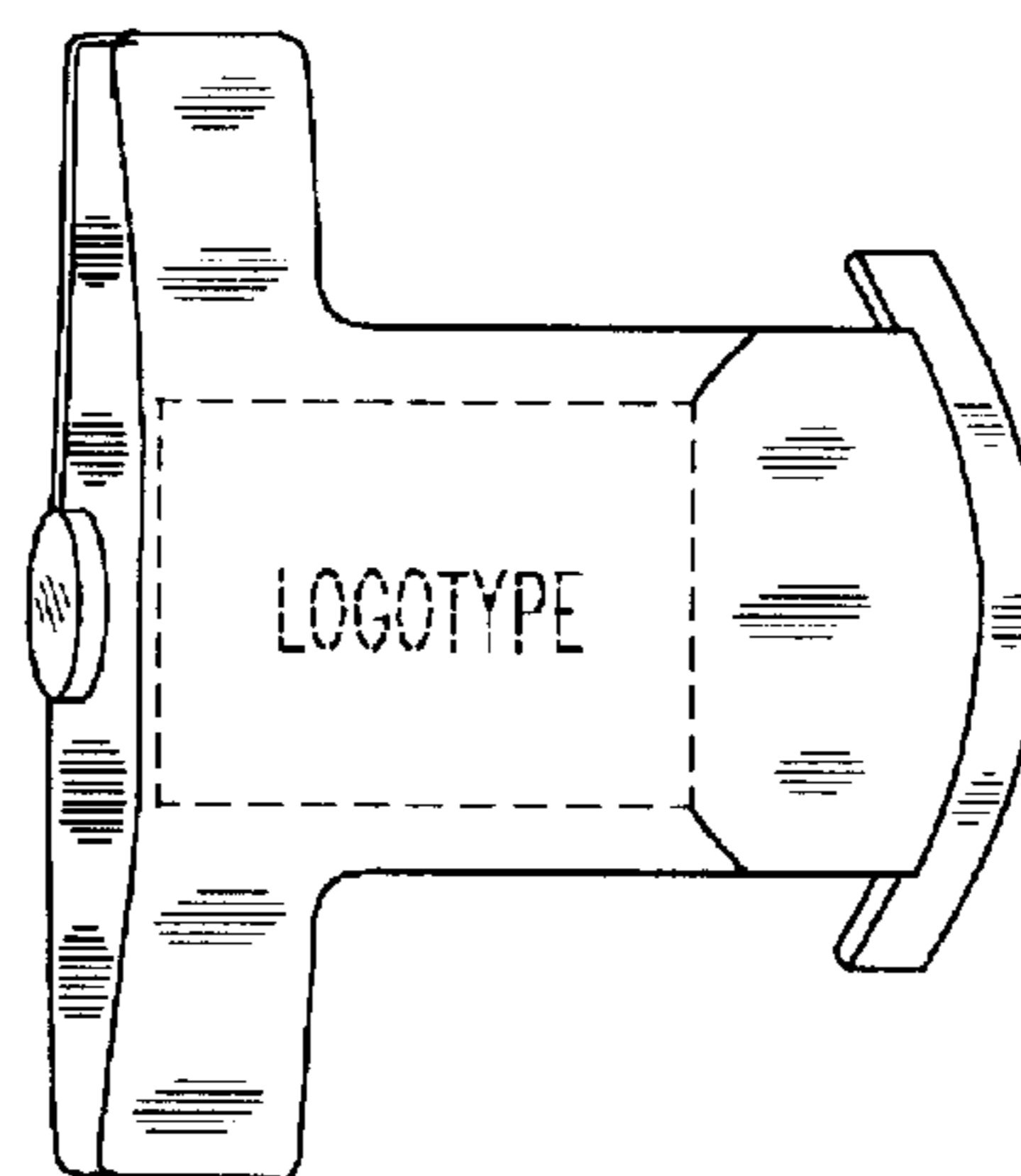


FIG. 12

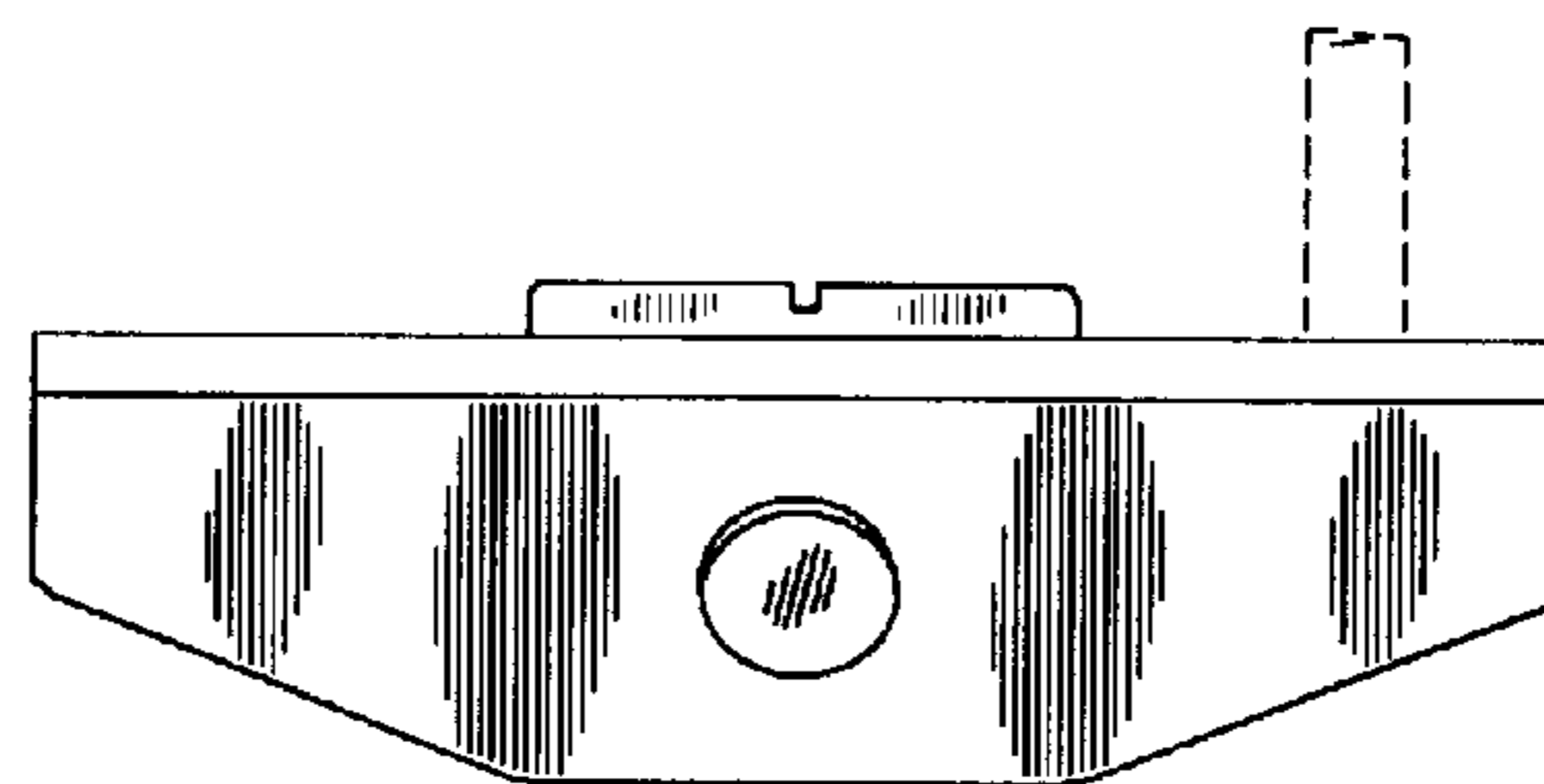


FIG. 13

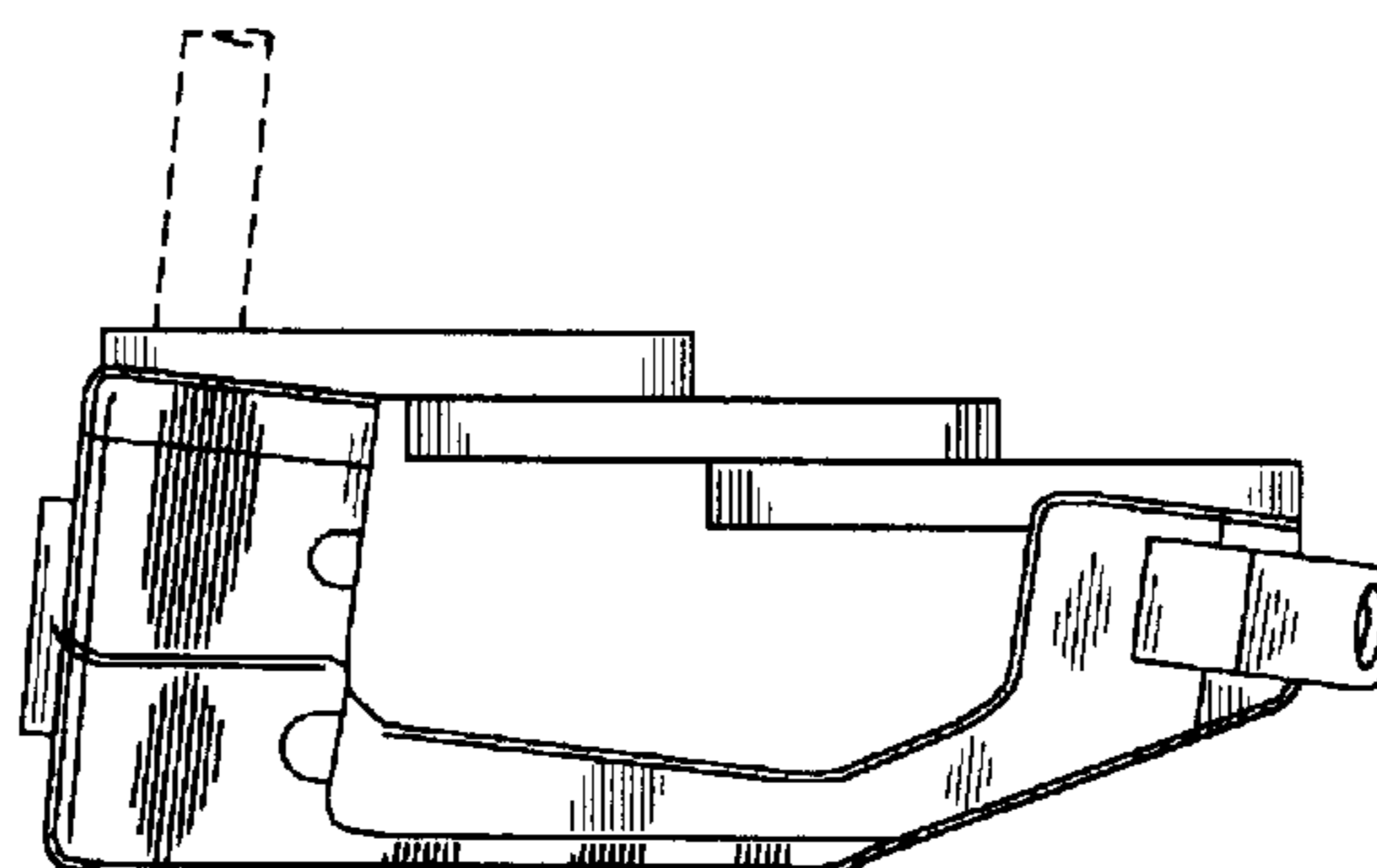


FIG. 14

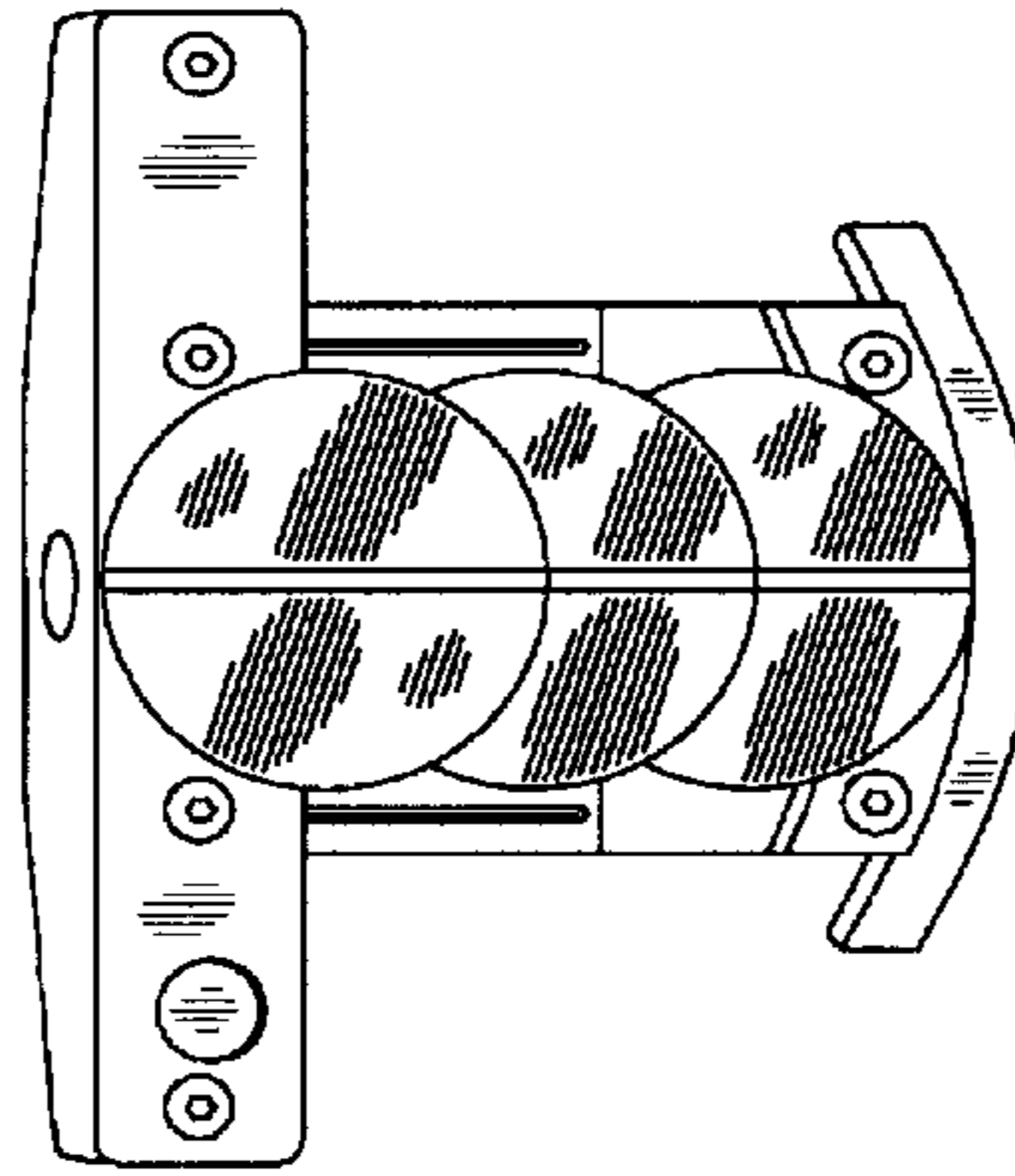


FIG. 15

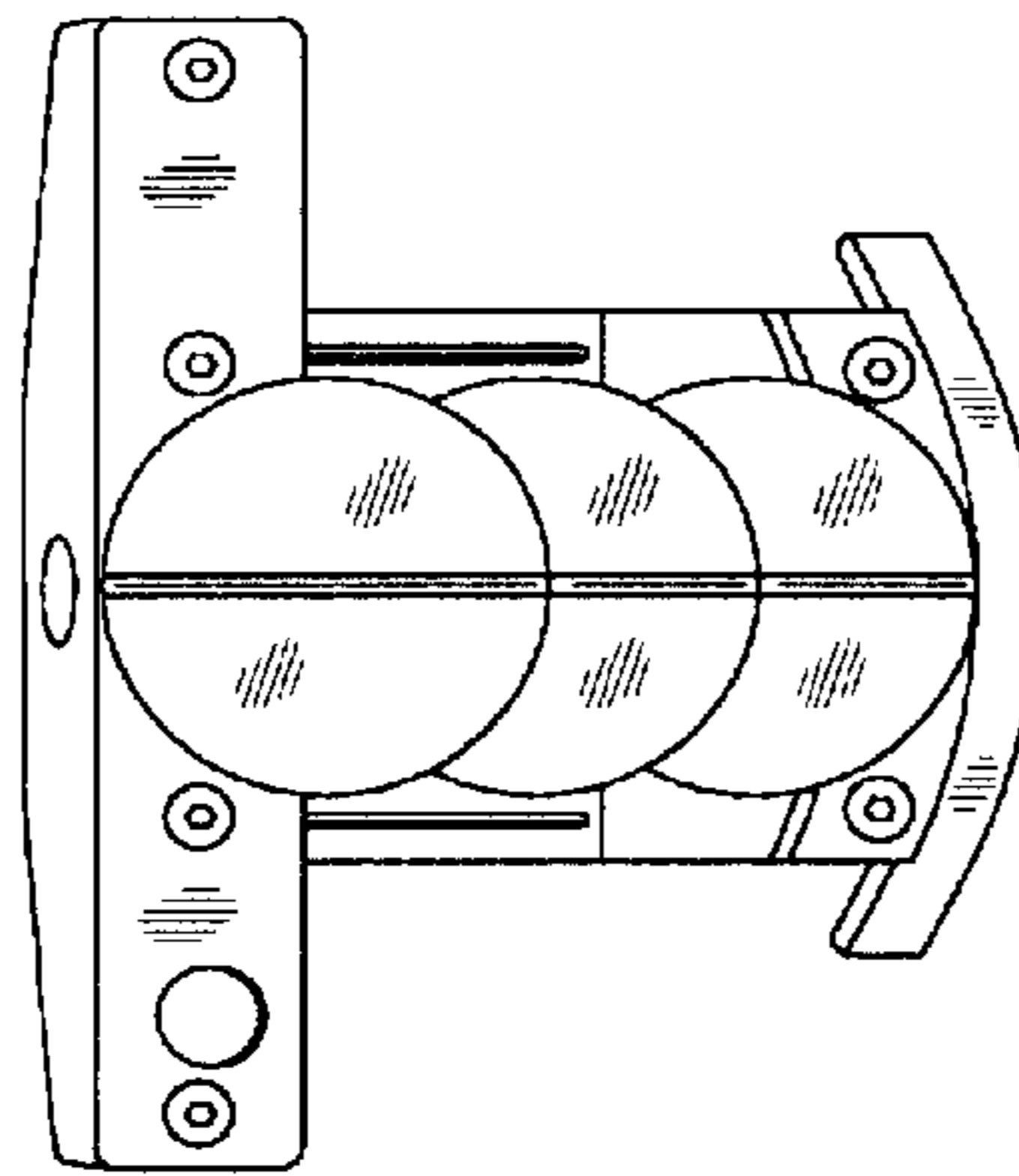


FIG. 16

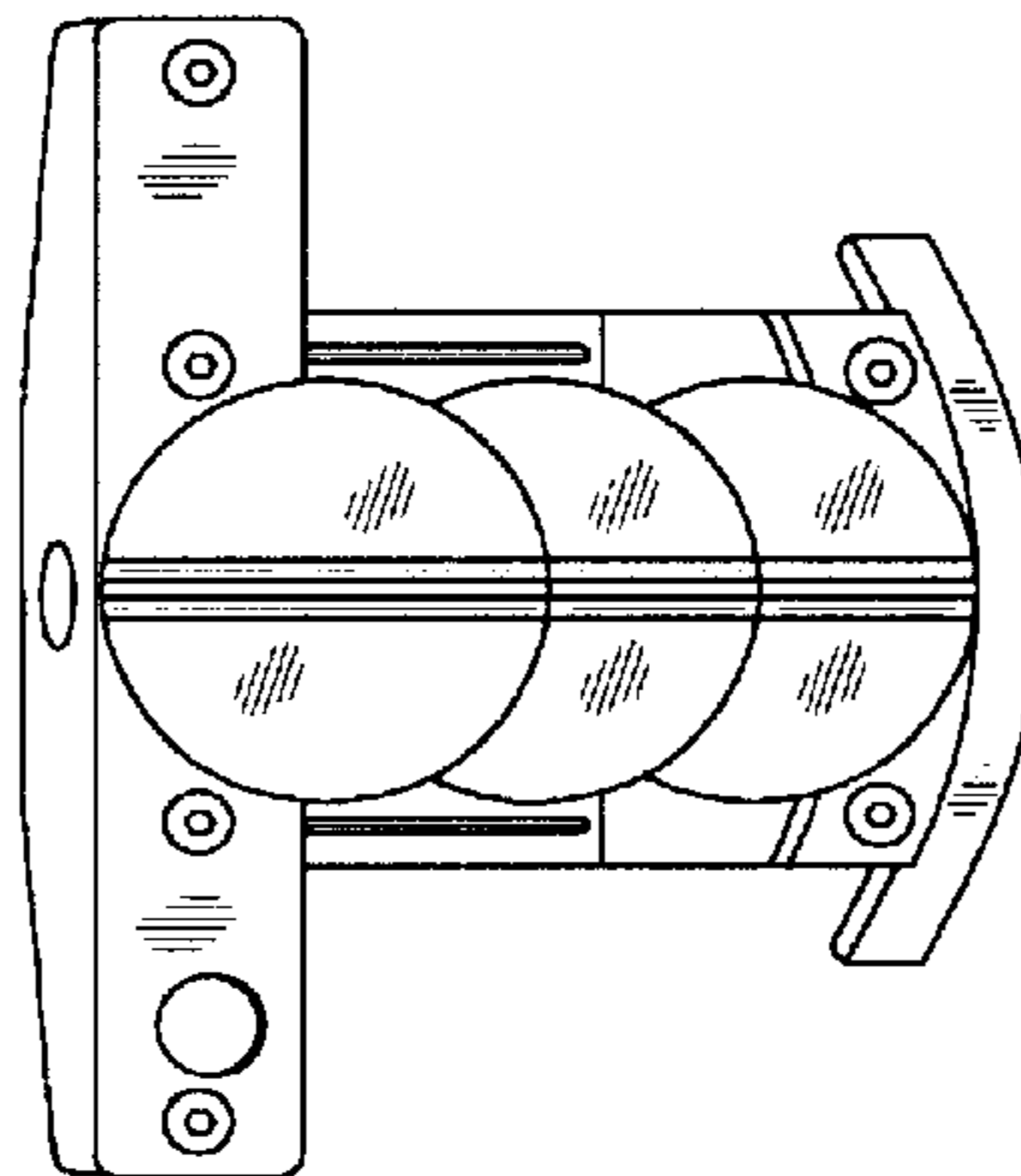


FIG. 17

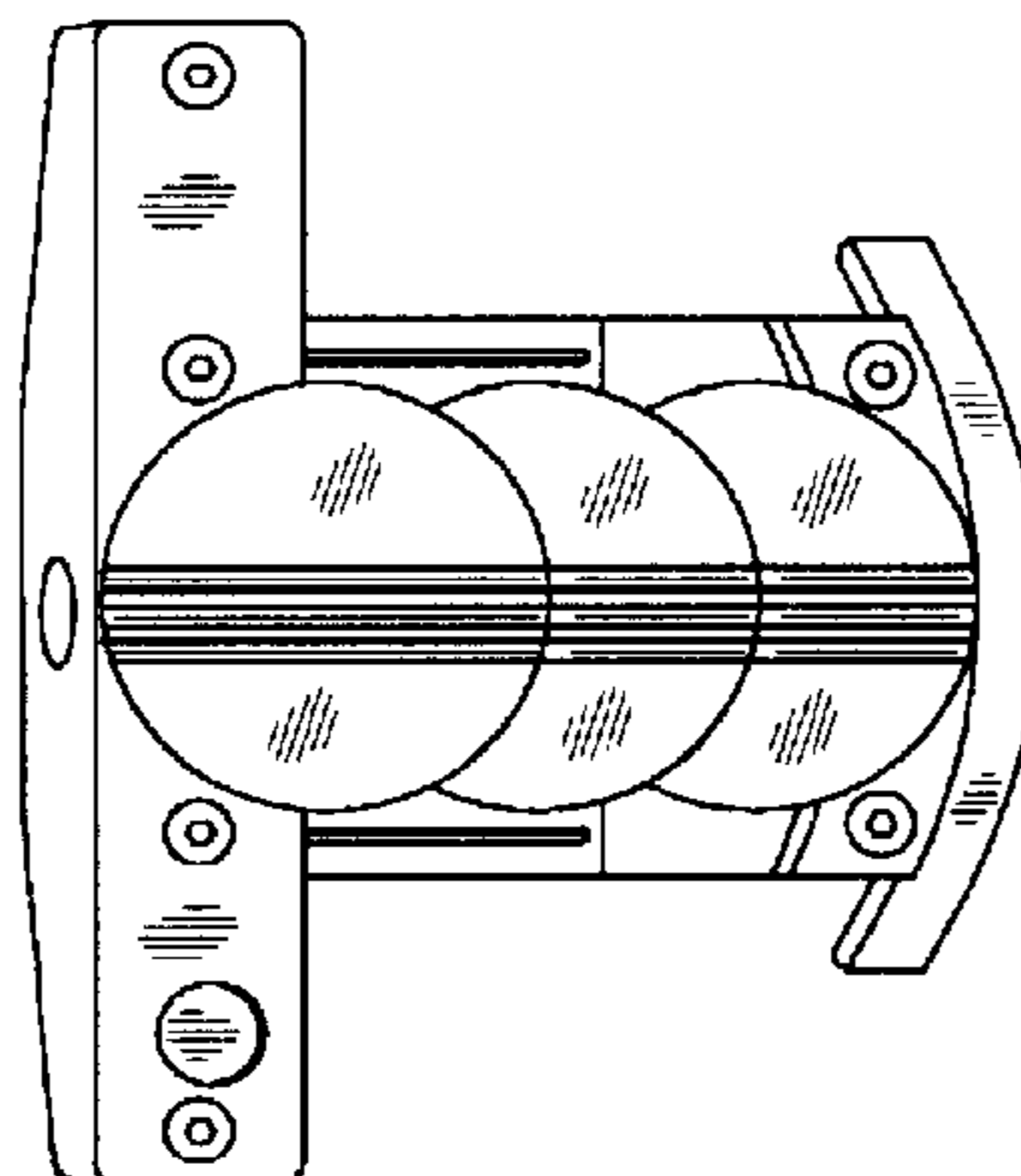


FIG. 18

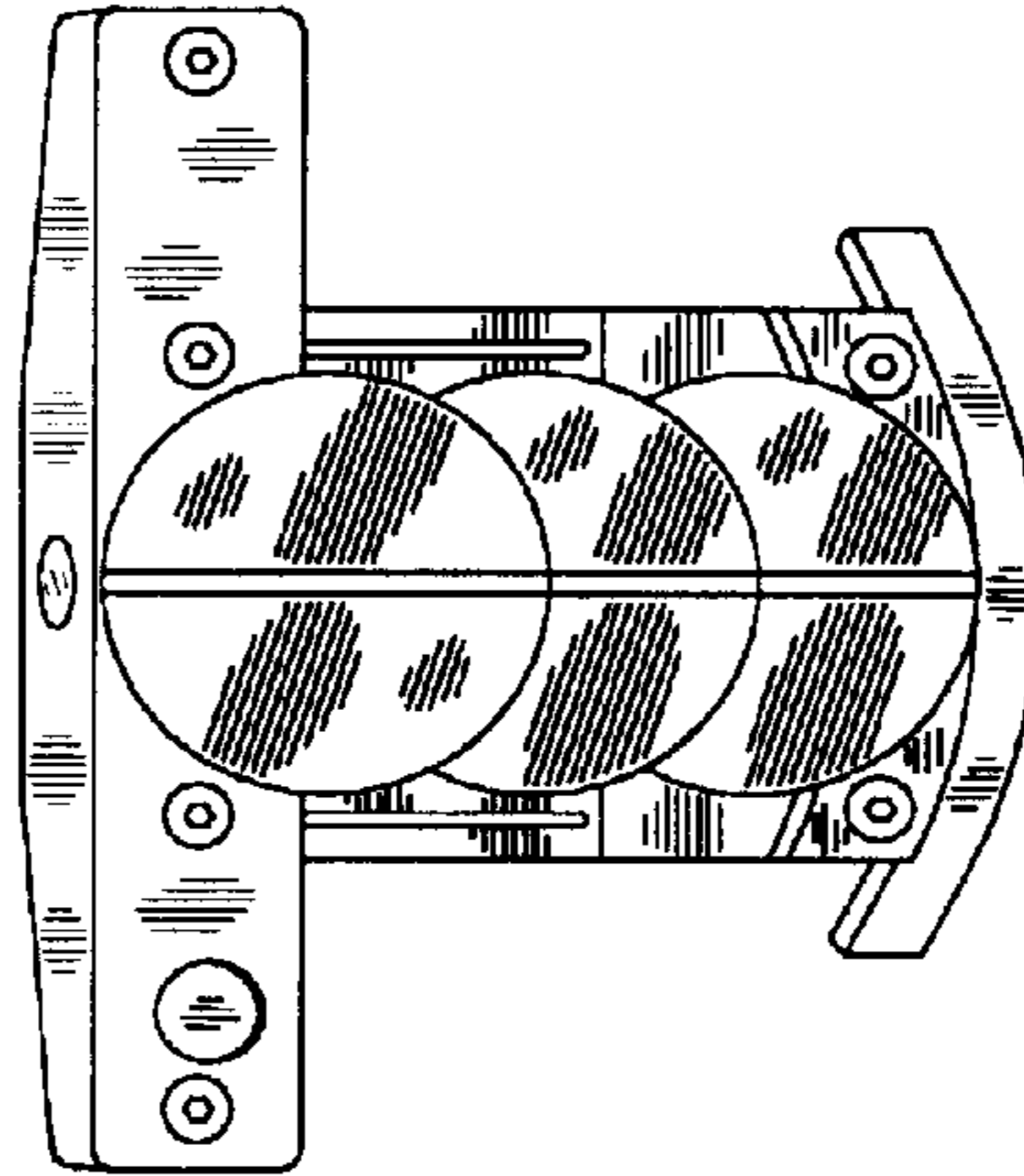


FIG. 19

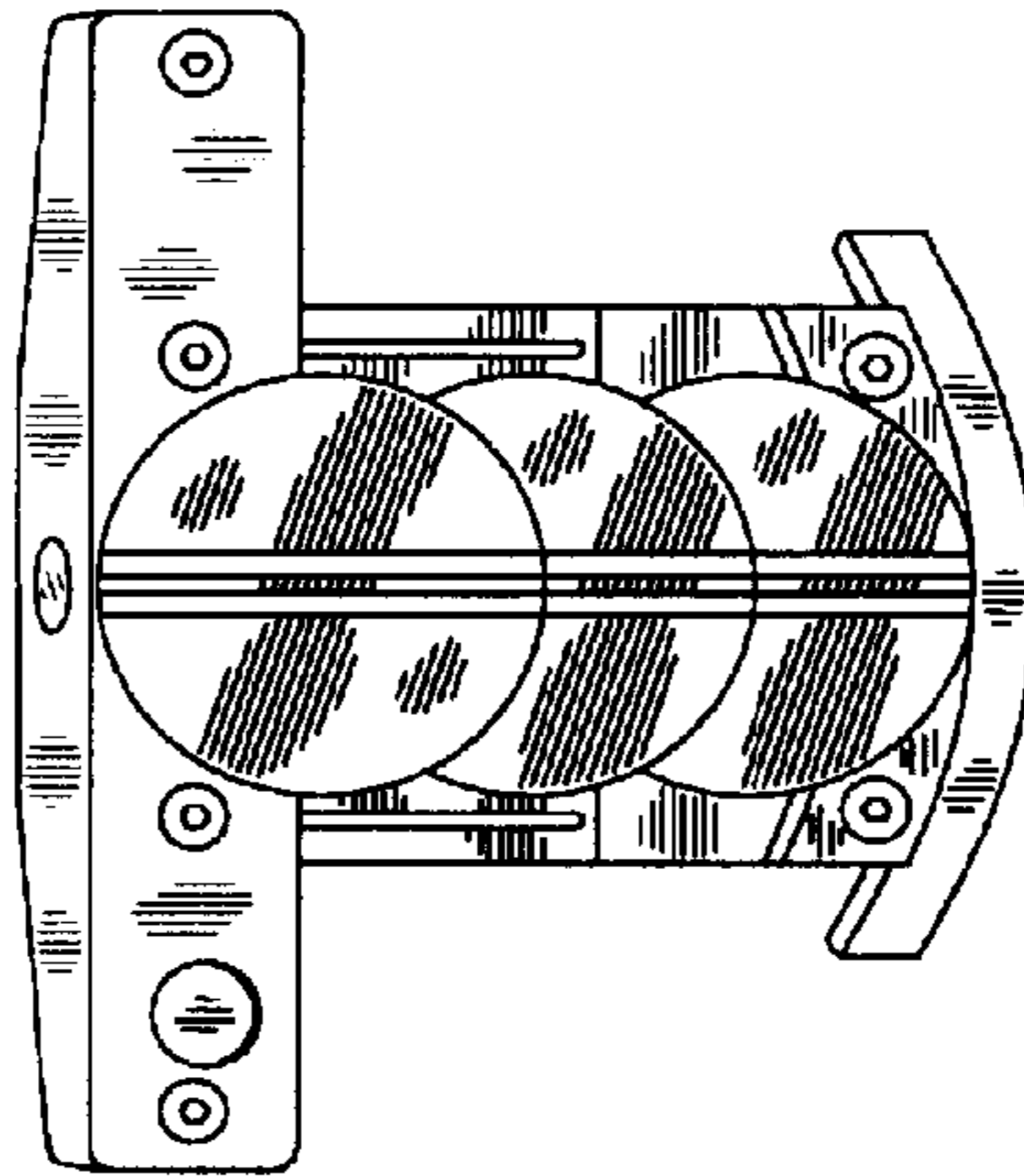


FIG. 20

