



US00D539857S

(12) **United States Design Patent**  
**Bingham, Jr. et al.**

(10) **Patent No.: US D539,857 S**

(45) **Date of Patent: \*\* Apr. 3, 2007**

(54) **EXERCISE MACHINE**

D479,865 S \* 9/2003 Arai et al. .... D21/666  
D513,421 S \* 1/2006 Nagano ..... D21/666

(75) Inventors: **Robert J. Bingham, Jr.**, Everett, WA  
(US); **Mark A. Zeh**, Munich (DE);  
**Christopher Loes**, Palo Alto, CA (US)

\* cited by examiner

*Primary Examiner*—Philip S. Hyder

(73) Assignee: **LeMond Fitness Inc.**, Woodinville, WA  
(US)

(74) *Attorney, Agent, or Firm*—George C. Rondeau, Jr.;  
Davis Wright Tremaine LLP

(\*\*) Term: **14 Years**

(57) **CLAIM**

The ornamental design for an exercise machine, as shown  
and described.

(21) Appl. No.: **29/247,997**

(22) Filed: **Jul. 24, 2006**

**DESCRIPTION**

**Related U.S. Application Data**

(62) Division of application No. 29/223,879, filed on Feb. 17,  
2005, now Pat. No. Des. 528,172.

FIG. 1 is a front perspective view of a first embodiment  
thereof.

FIG. 2 is a top plan view thereof.

FIG. 3 is a bottom plan view thereof.

FIG. 4 is a front elevational view thereof.

FIG. 5 is a rear elevational view thereof.

FIG. 6 is left side elevational view thereof.

FIG. 7 is a right side elevational view thereof.

FIG. 8 is a front perspective view of a second embodiment  
thereof.

FIG. 9 is a top plan view thereof.

FIG. 10 is a bottom plan view thereof.

FIG. 11 is a front elevational view thereof.

FIG. 12 is a rear elevational view thereof.

FIG. 13 is left side elevational view thereof; and,

FIG. 14 is a right side elevational view thereof.

The broken lines are for illustrative purposes only and form  
no part of the claimed design.

(51) **LOC (8) Cl.** ..... **21-01**

(52) **U.S. Cl.** ..... **D21/697**

(58) **Field of Classification Search** ..... D21/663,  
D21/664, 665, 666, 667, 694, 697; 482/51,  
482/57, 58, 59

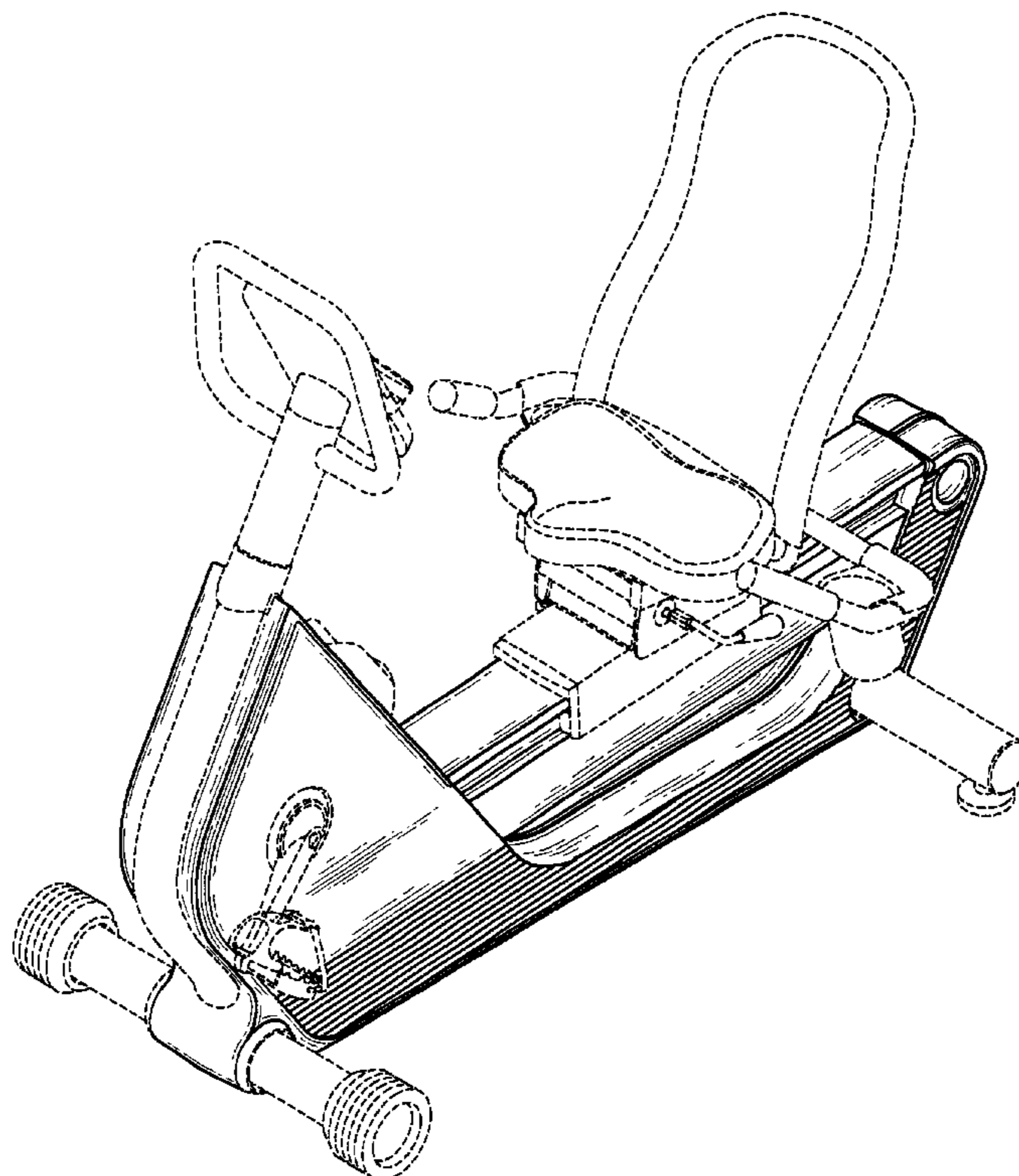
See application file for complete search history.

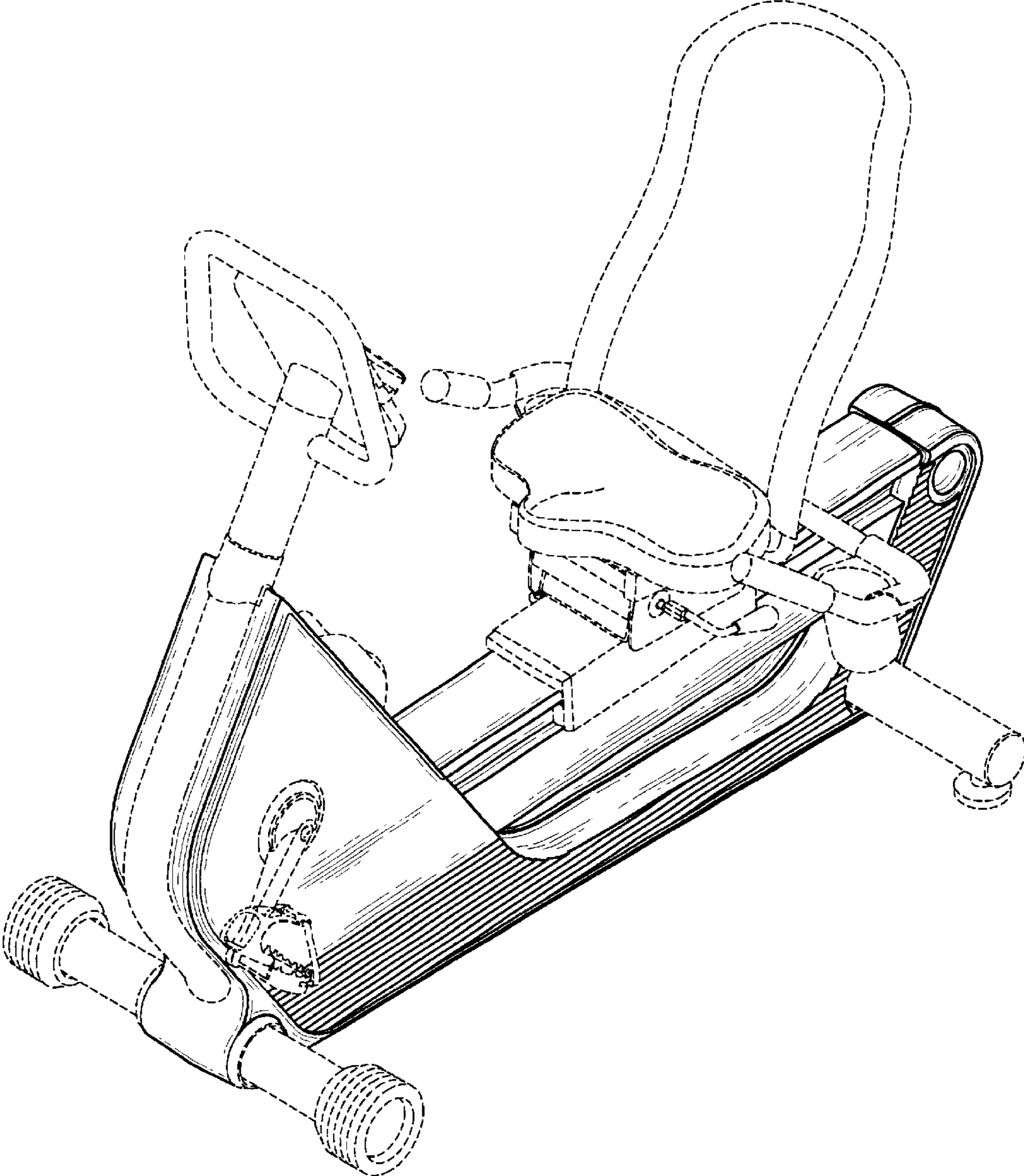
(56) **References Cited**

**U.S. PATENT DOCUMENTS**

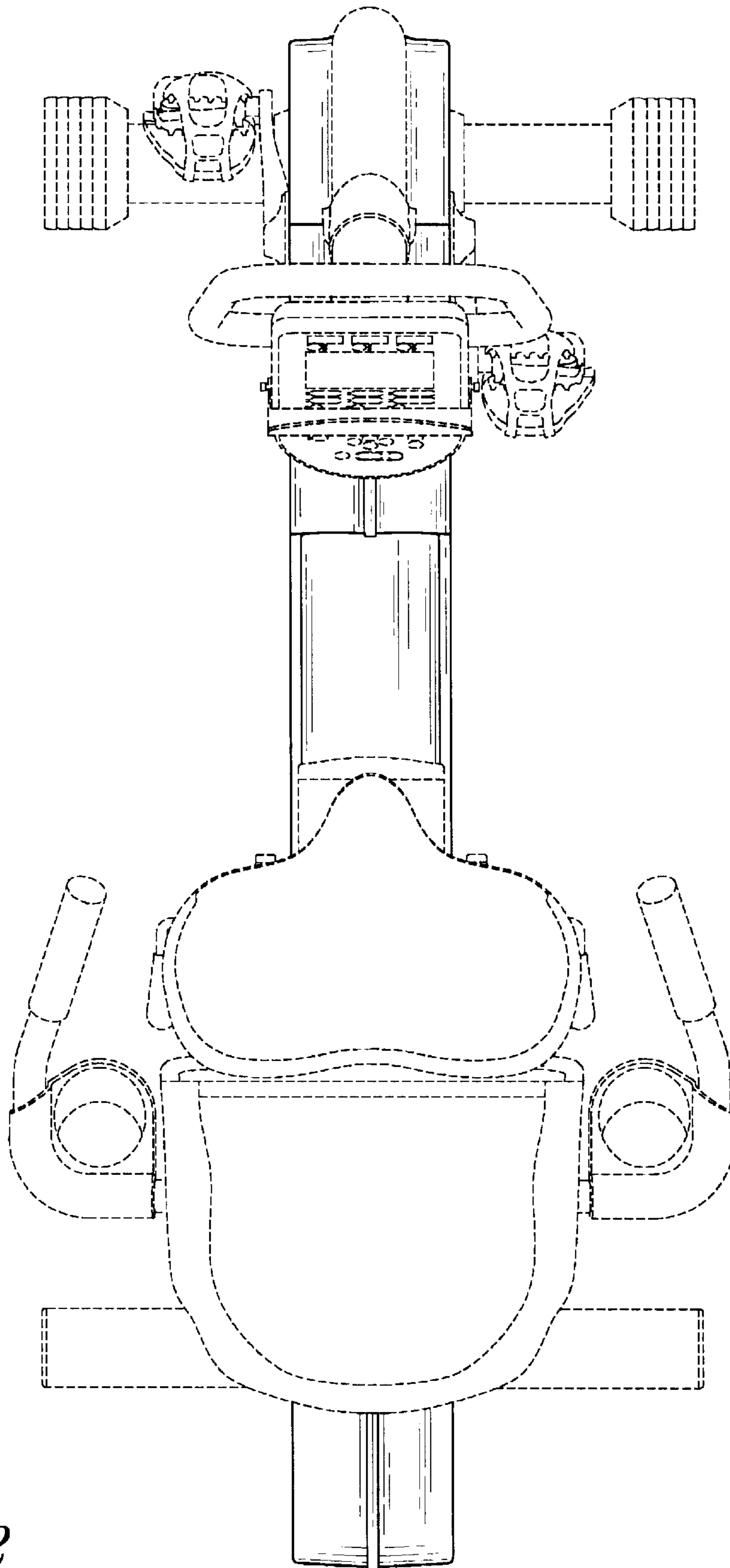
- D325,422 S \* 4/1992 DeLoach ..... D23/207
- D372,061 S \* 7/1996 Chen ..... D21/697
- D403,032 S \* 12/1998 Huang ..... D21/666
- D437,369 S \* 2/2001 Tsushi ..... D21/666
- D439,289 S \* 3/2001 Moran et al. .... D21/666

**1 Claim, 14 Drawing Sheets**

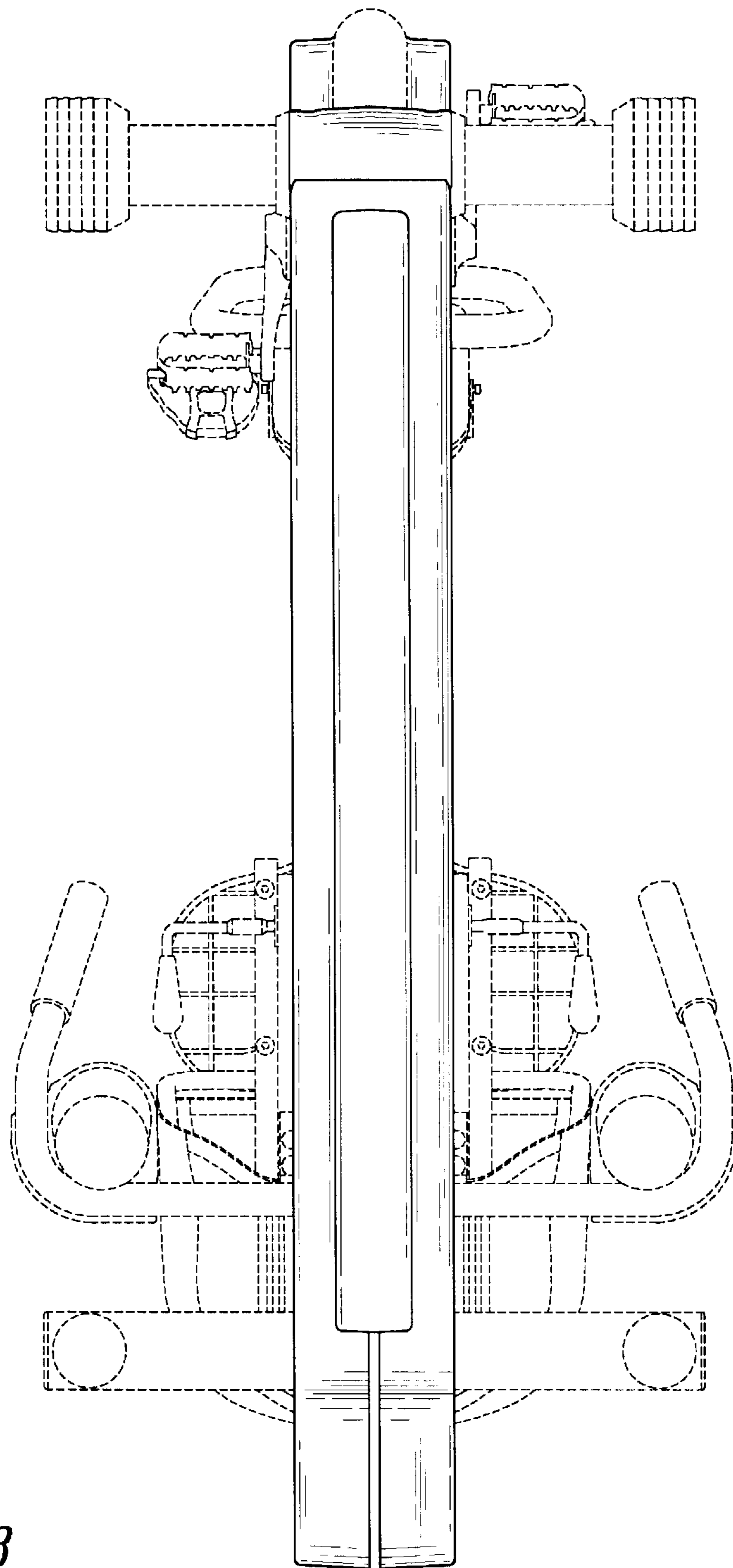




*Fig. 1*

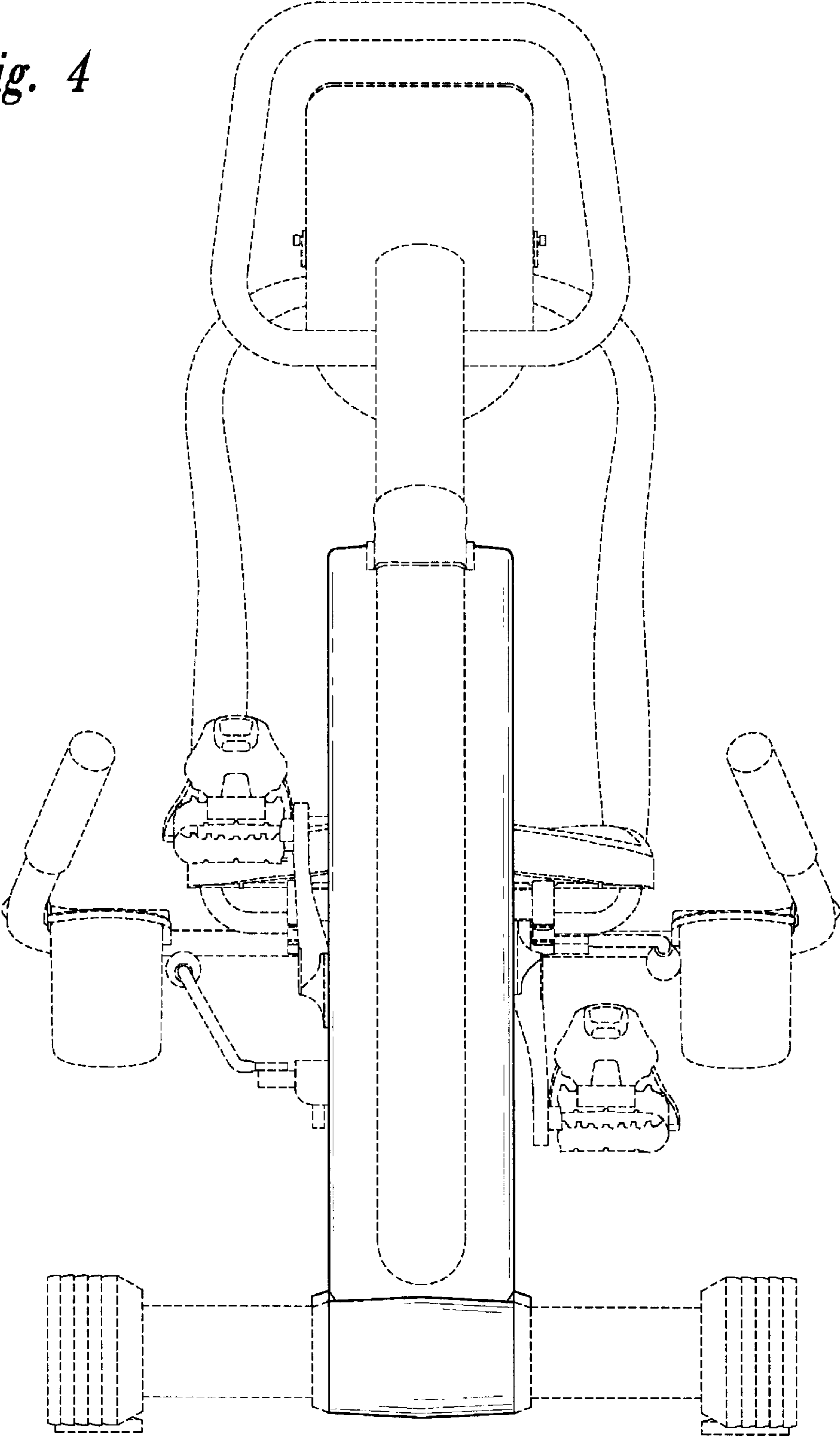


*Fig. 2*

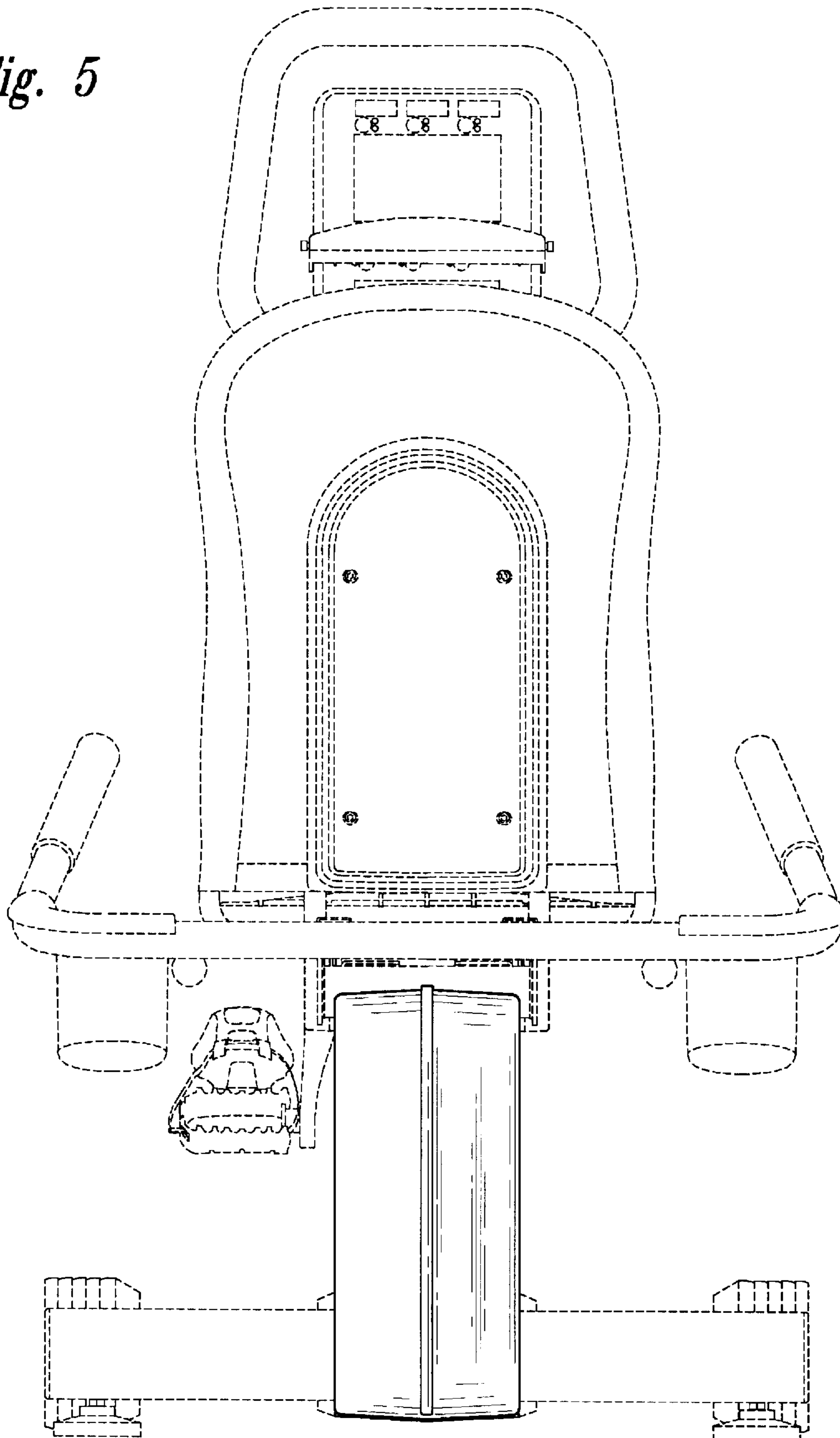


*Fig. 3*

*Fig. 4*



*Fig. 5*



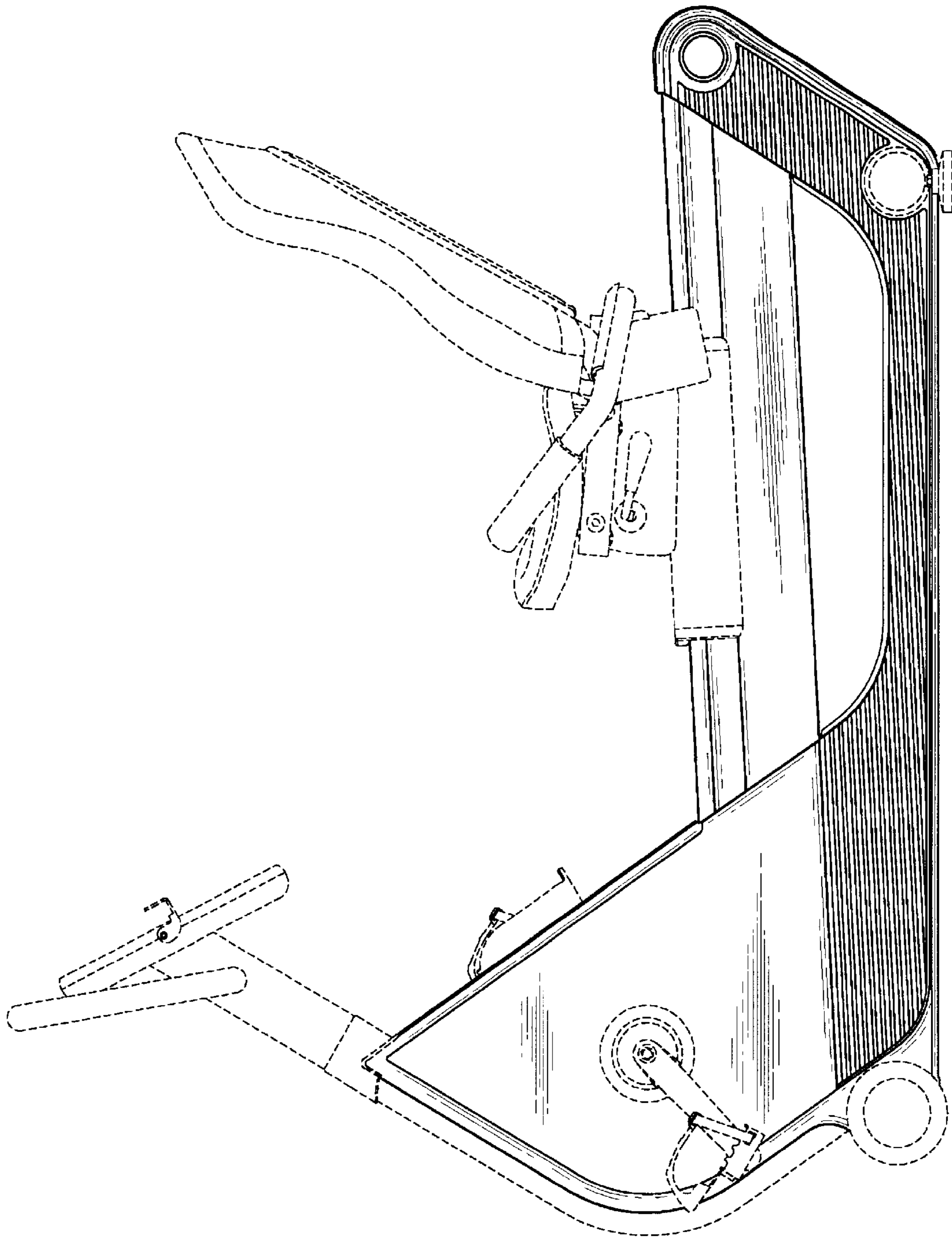


Fig. 6

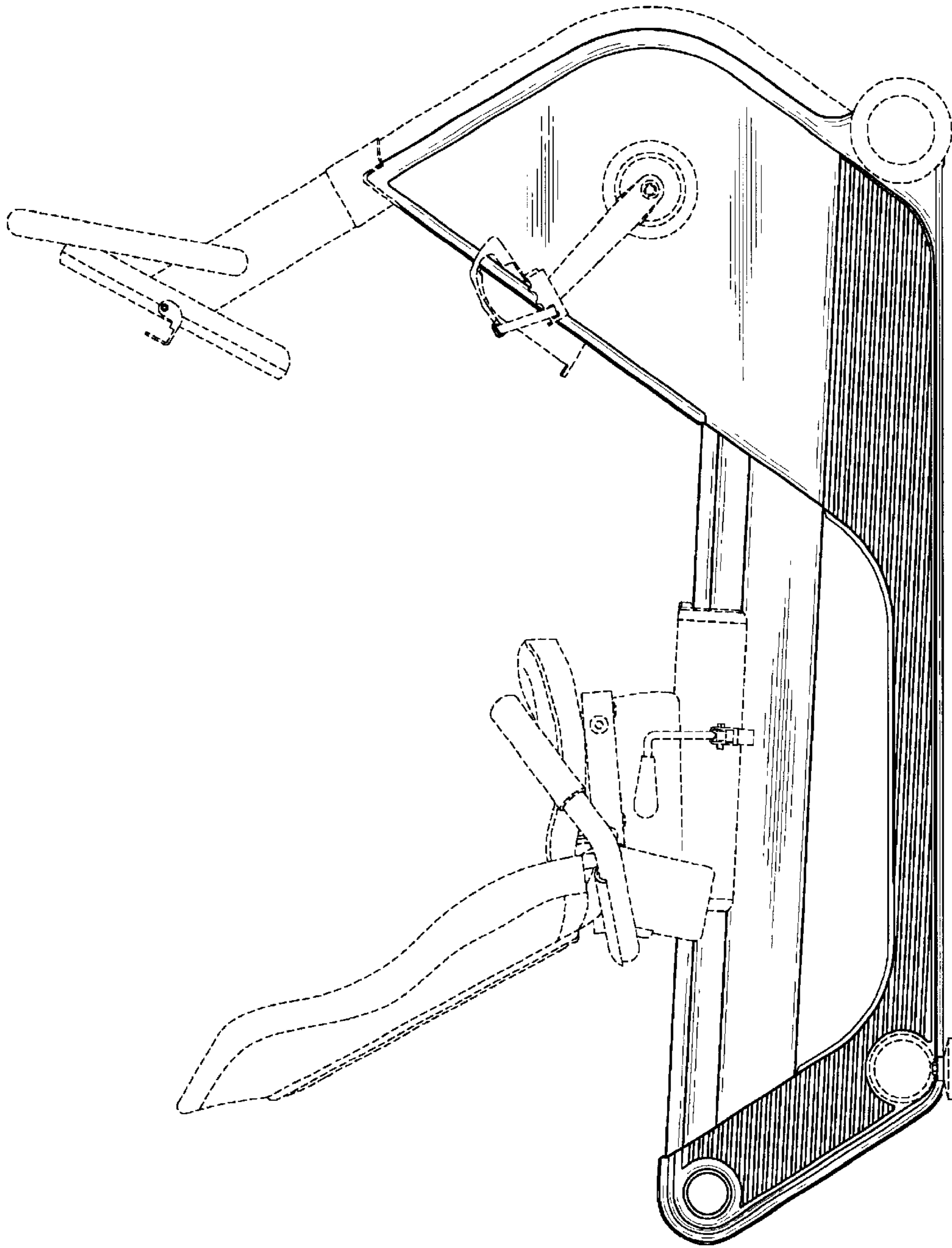
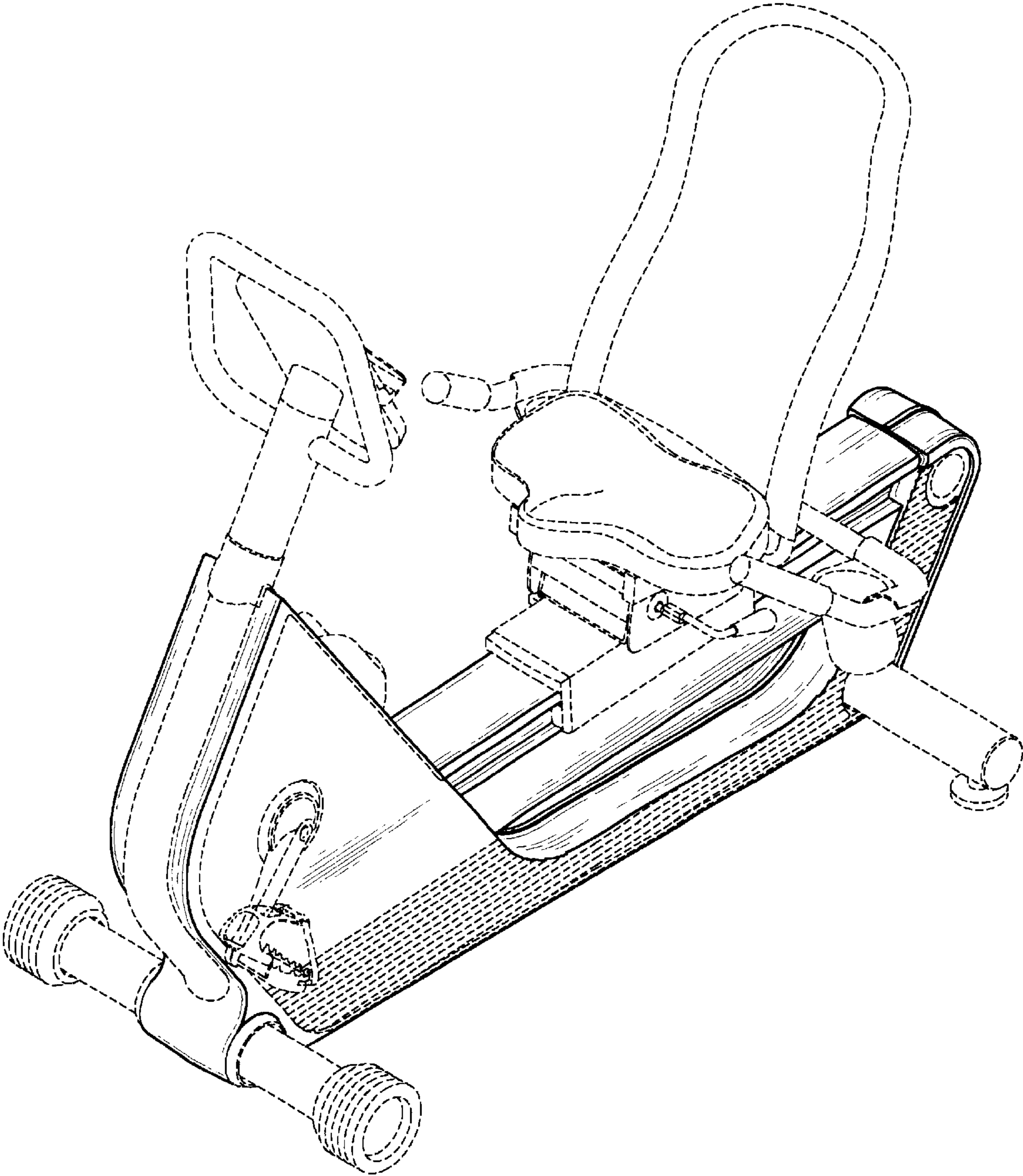
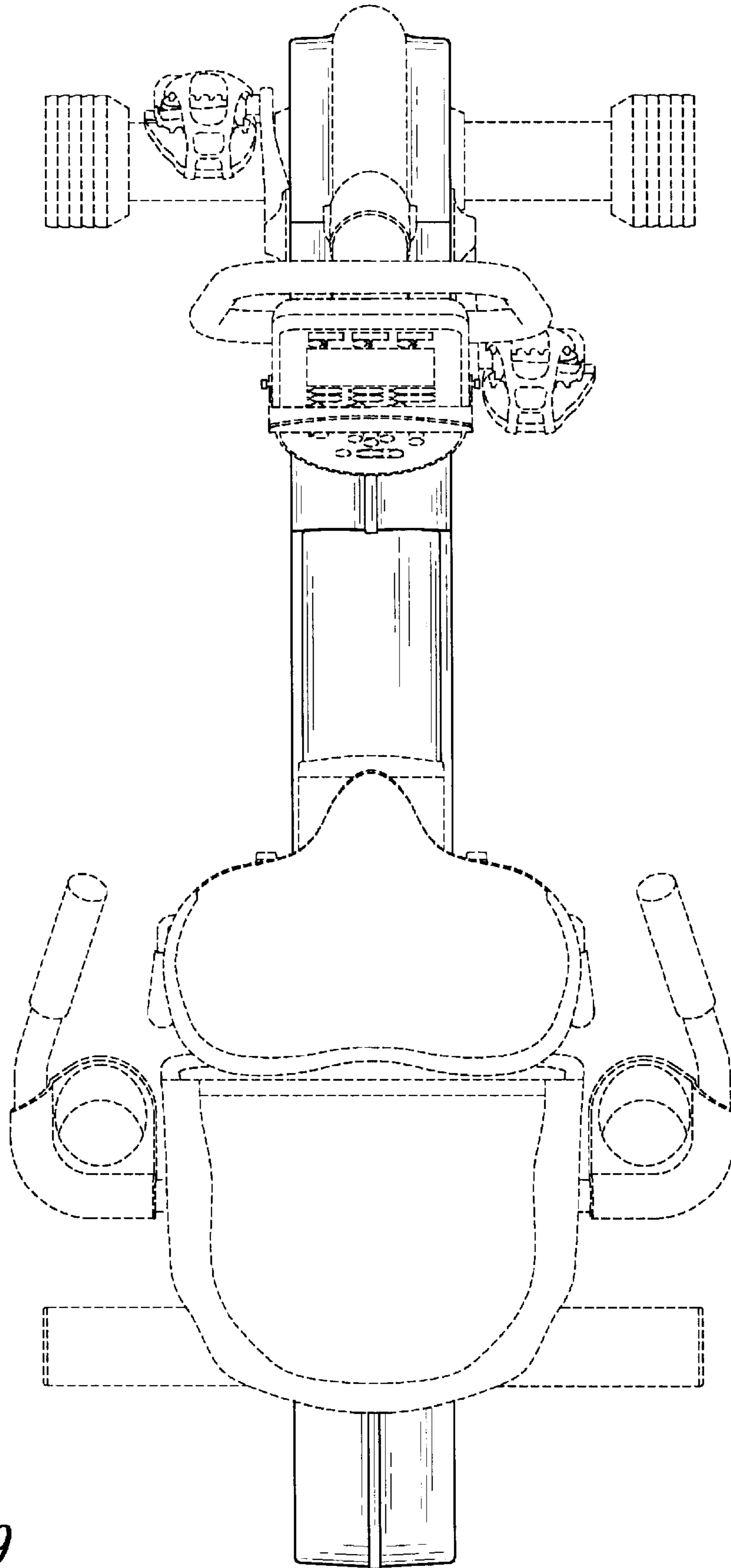


Fig. 7

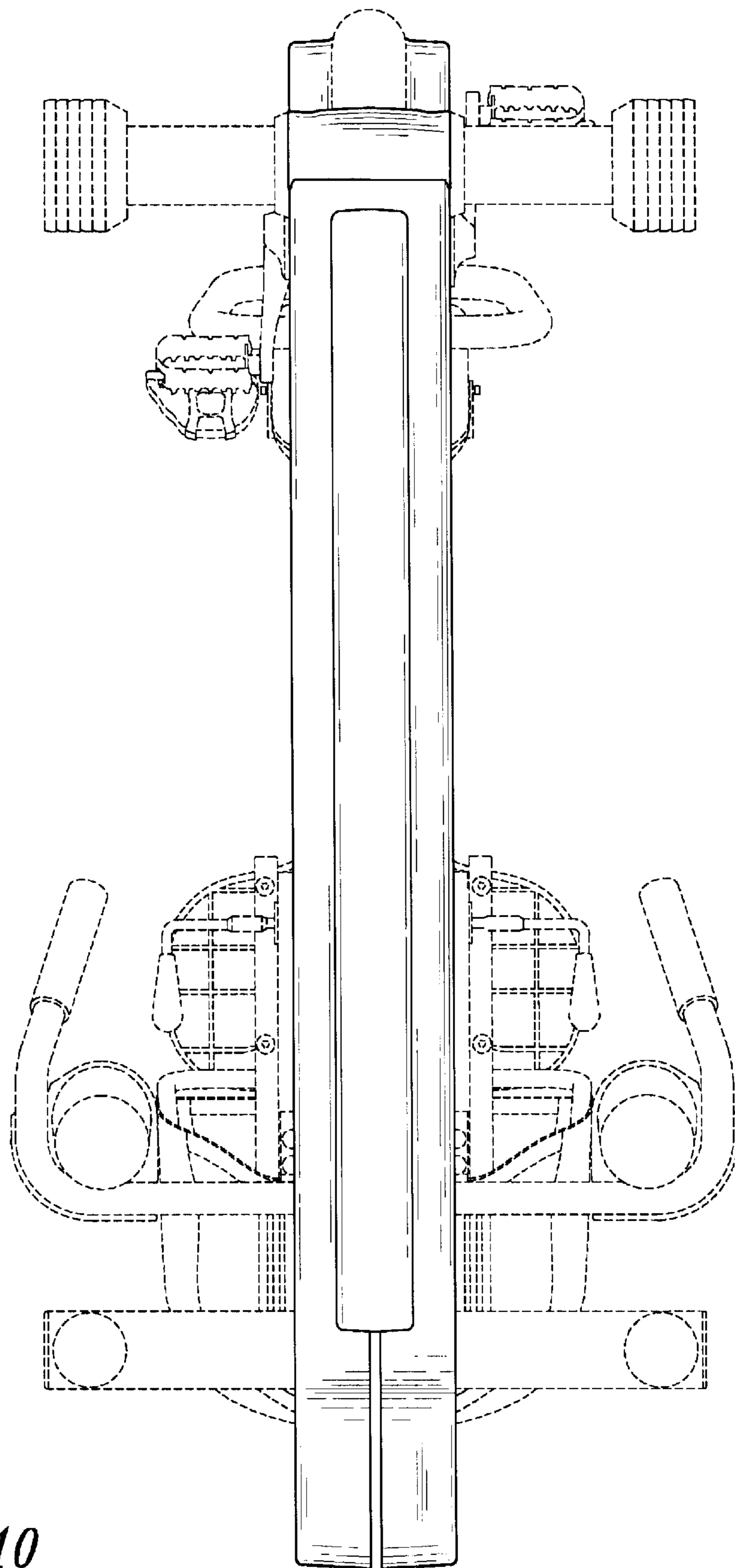




*Fig. 8*

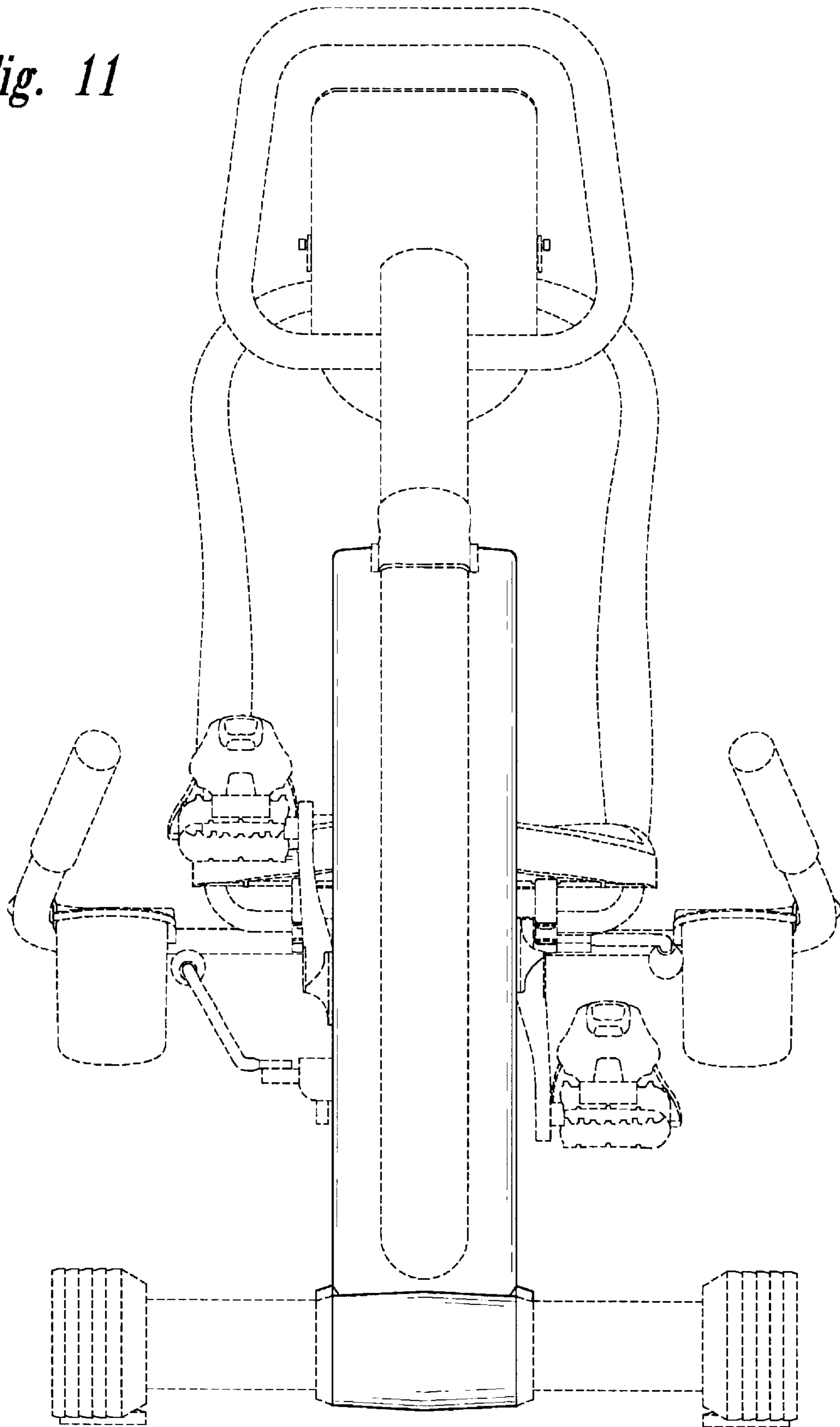


*Fig. 9*

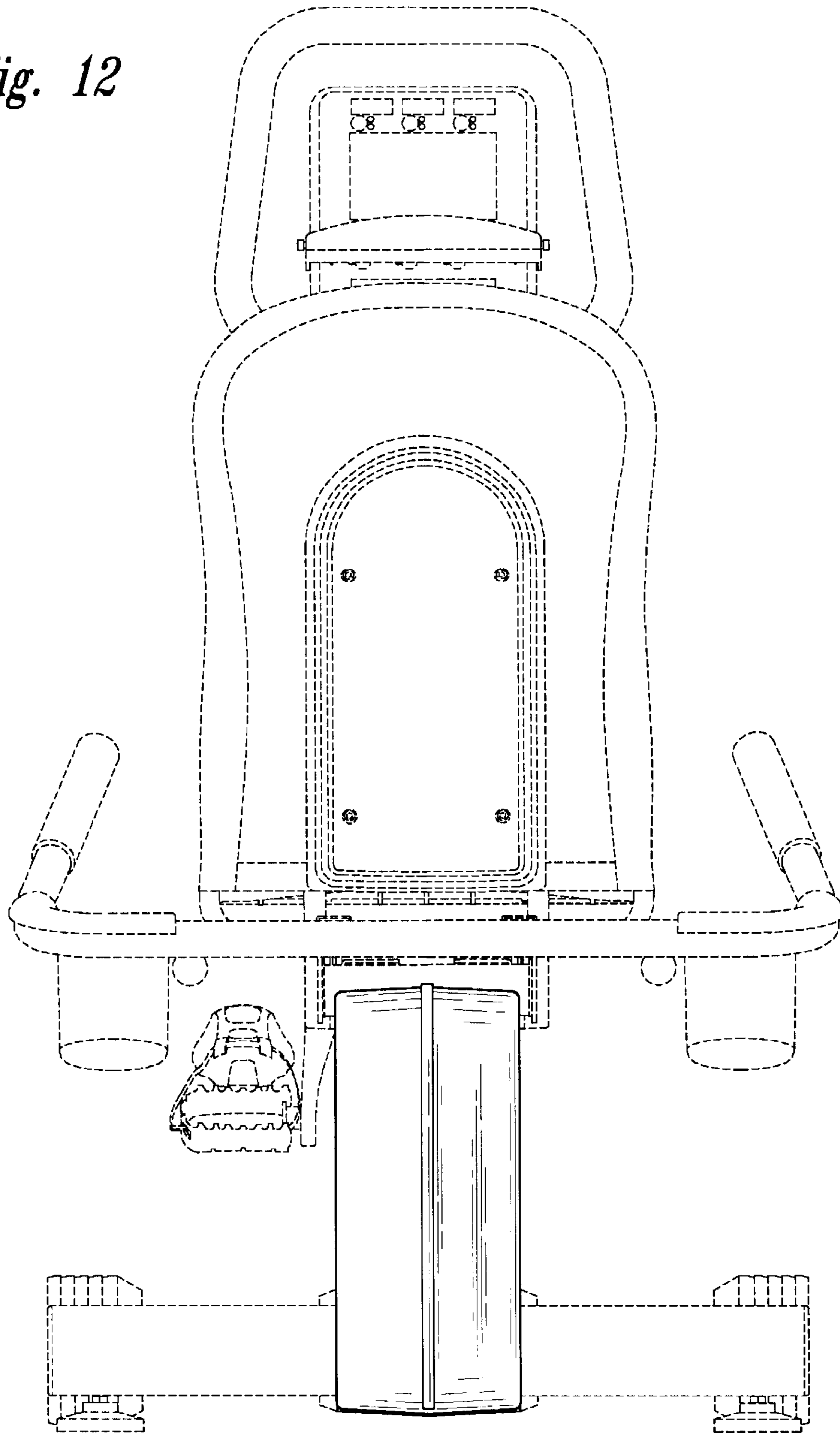


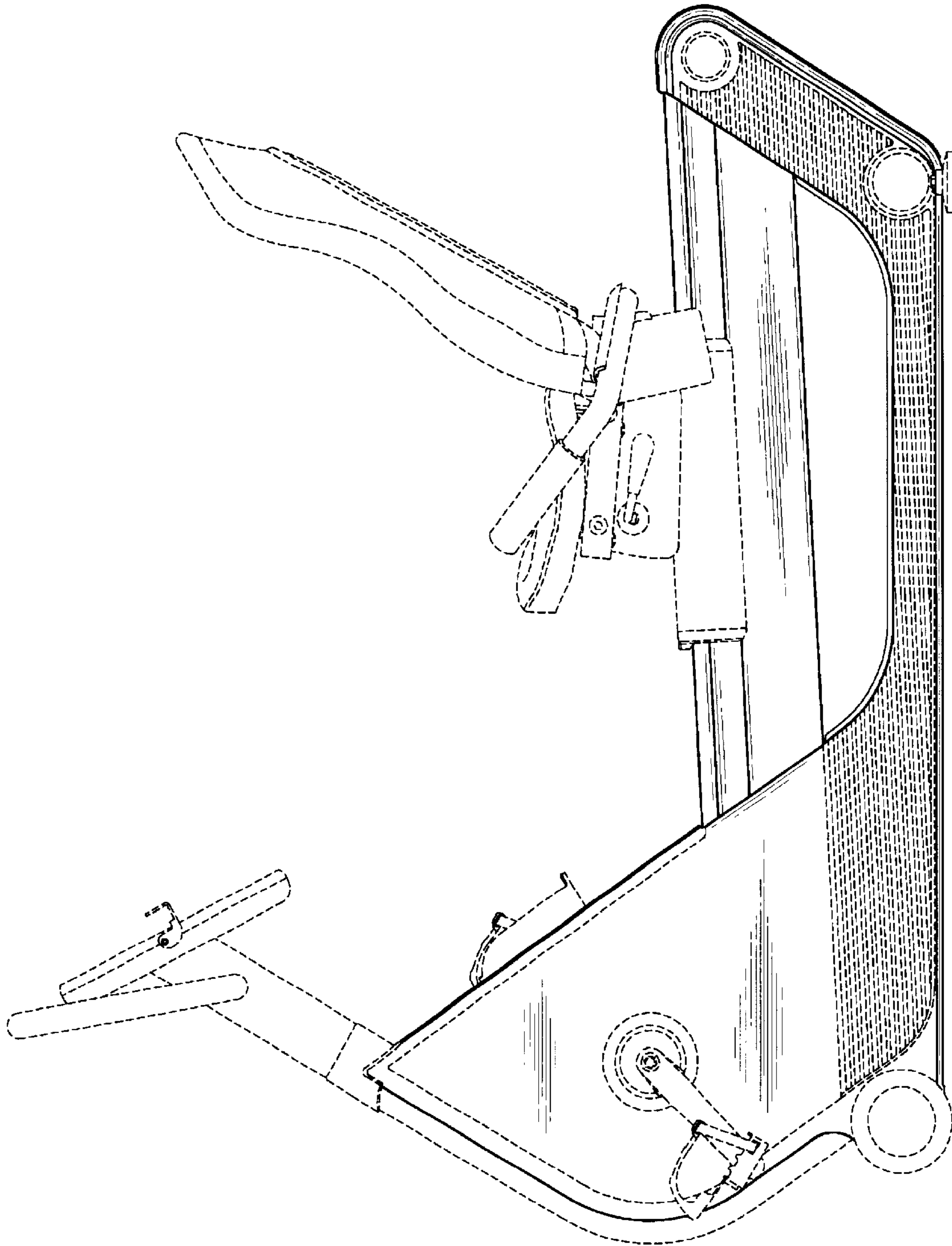
*Fig. 10*

*Fig. 11*



*Fig. 12*





*Fig. 13*

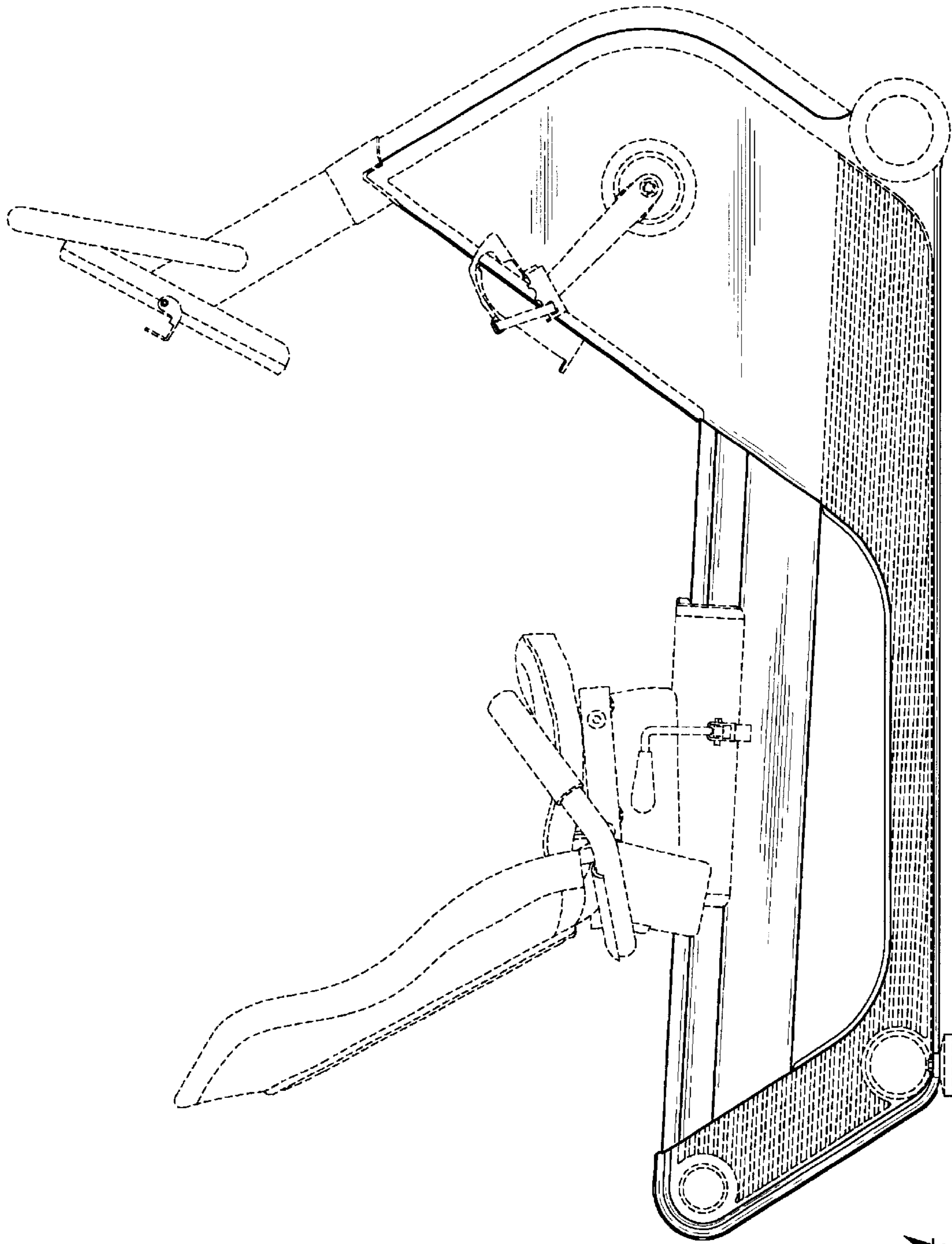


Fig. 14