



US00D539853S

(12) **United States Design Patent**
Hussaini et al.

(10) **Patent No.:** **US D539,853 S**

(45) **Date of Patent:** **** Apr. 3, 2007**

(54) **AUDIO/VIDEO SELECTOR**

(75) Inventors: **Saied Hussaini**, Miami, FL (US); **Marc Iacovelli**, Miami, FL (US)

(73) Assignee: **Intec, Inc.**, Miami, FL (US)

(**) Term: **14 Years**

(21) Appl. No.: **29/234,143**

(22) Filed: **Jul. 14, 2005**

(51) **LOC (8) Cl.** **21-01**

(52) **U.S. Cl.** **D21/332; D14/433**

(58) **Field of Classification Search** D21/332,
D21/333, 324, 328; D14/432-435, 496, 217,
D14/299, 400; 273/148 B; 463/1, 43-47;
340/825.25, 825.22; 345/156, 157, 905, 906
See application file for complete search history.

(56) **References Cited**

U.S. PATENT DOCUMENTS

4,259,668	A	*	3/1981	Nishimura et al.	345/169
5,282,621	A	*	2/1994	Tseng	463/45
5,556,108	A	*	9/1996	Nagano et al.	463/45
D375,090	S	*	10/1996	Lambert et al.	D14/433
5,809,520	A	*	9/1998	Edwards et al.	711/115
D415,534	S	*	10/1999	Ashida	D21/332
6,052,472	A	*	4/2000	Lo	381/123
D449,078	S	*	10/2001	Fujita	D21/332
6,325,718	B1	*	12/2001	Nishiumi et al.	463/36
D464,947	S	*	10/2002	Hussaini et al.	D14/217
D470,848	S	*	2/2003	Morooka	D14/433
D474,154	S	*	5/2003	Lai	D13/147

D500,324 S * 12/2004 Hussaini et al. D14/496

* cited by examiner

Primary Examiner—Prabhakar Deshmukh

(74) *Attorney, Agent, or Firm*—Berenato, White & Stavish

(57) **CLAIM**

The ornamental design for a audio/video selector, as shown and described.

DESCRIPTION

FIG. 1 is a perspective view of the audio/video selector according to the present invention.

FIG. 2 is a front view of the audio/video selector of FIG. 1.

FIG. 3 is a rear view of the audio/video selector of FIG. 1.

FIG. 4 is a right side view of the audio/video selector of FIG. 1.

FIG. 5 is a left side view of the audio/video selector of FIG. 1.

FIG. 6 is a top view of the audio/video selector of FIG. 1.

FIG. 7 is a bottom side view of the audio/video selector of FIG. 1.

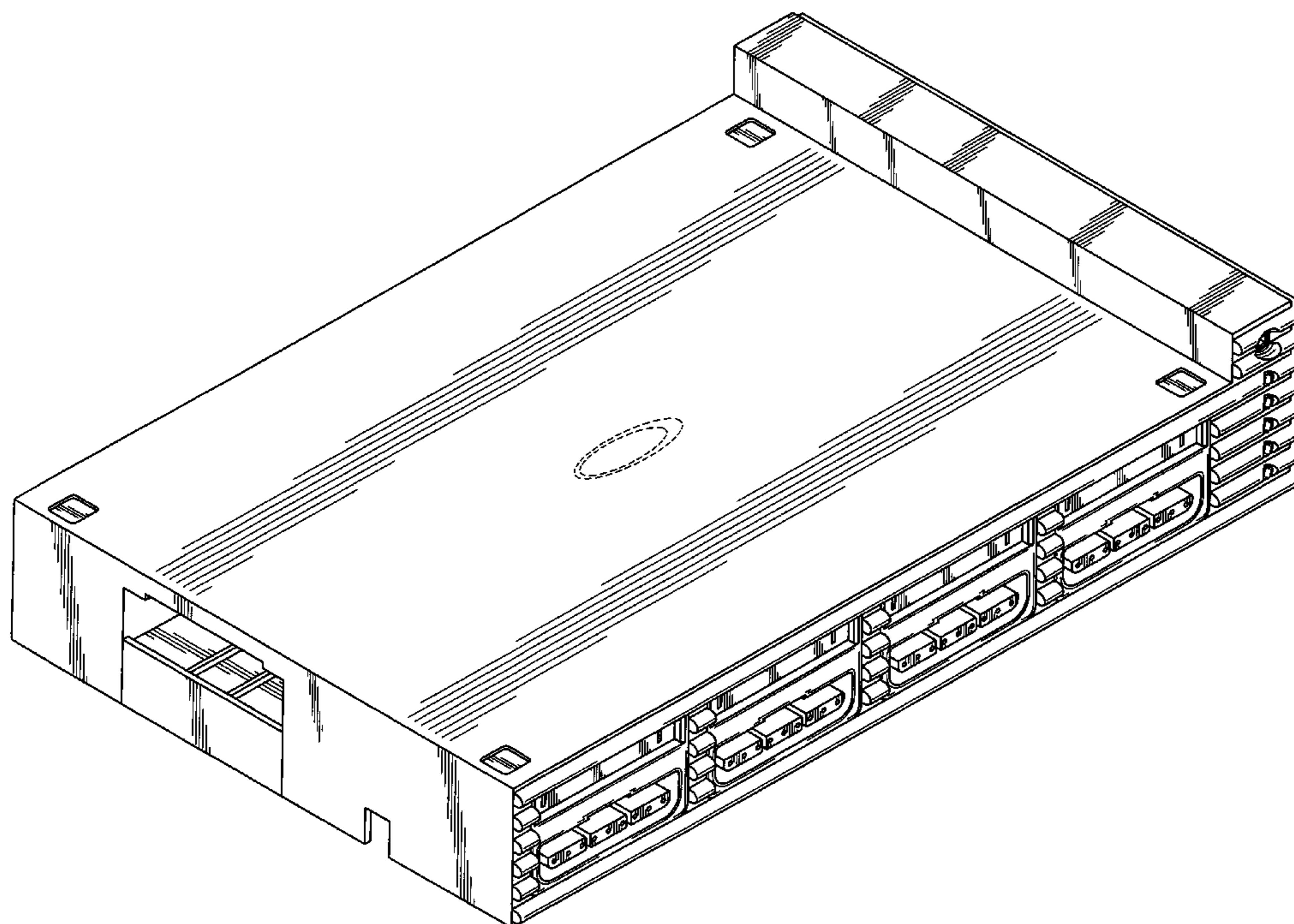
FIG. 8 is an alternate bottom view with cord in alternate position.

FIG. 9 is an alternate perspective view of FIG. 1, shown in its environmental use with a remote in broken lines; and,

FIG. 10 is an alternate perspective view of FIG. 1, shown in its environmental use with a remote in broken lines and inside the audio/video selector.

The broken lines, which define the boundary of the claimed design, form no part thereof. The broken lines environmental are for illustrative purpose only and form no part of the claimed design.

1 Claim, 8 Drawing Sheets



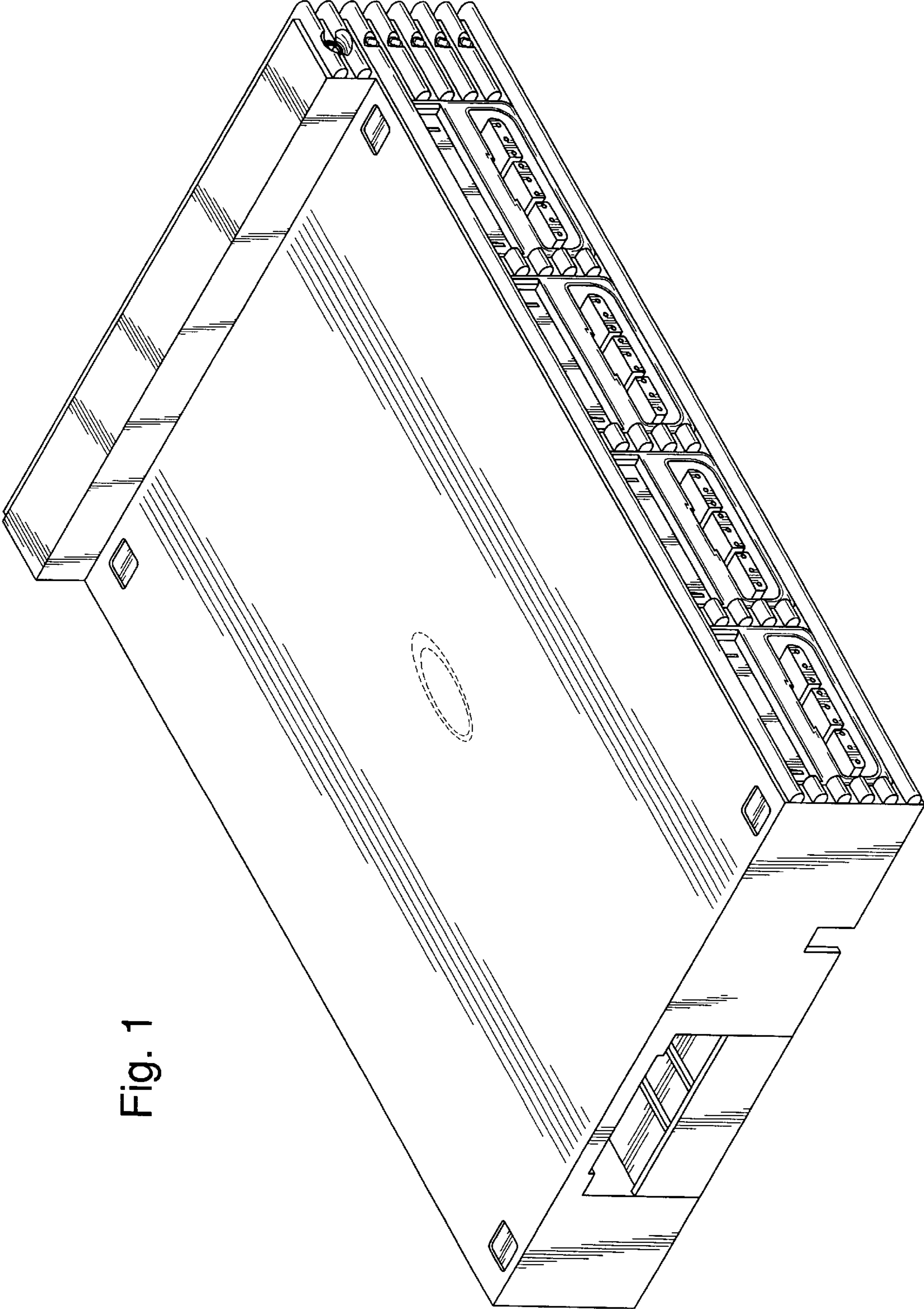


Fig. 1

Fig. 2

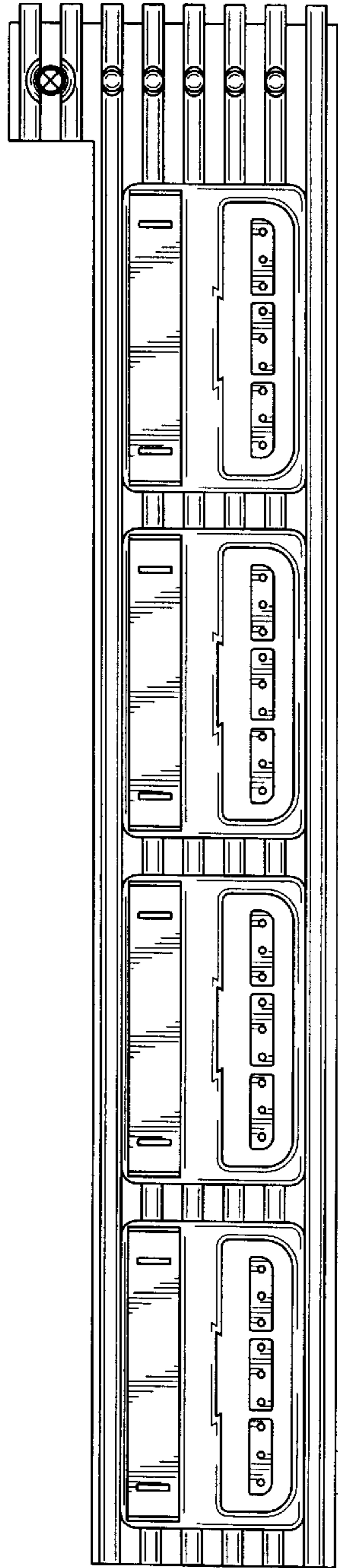


Fig. 3

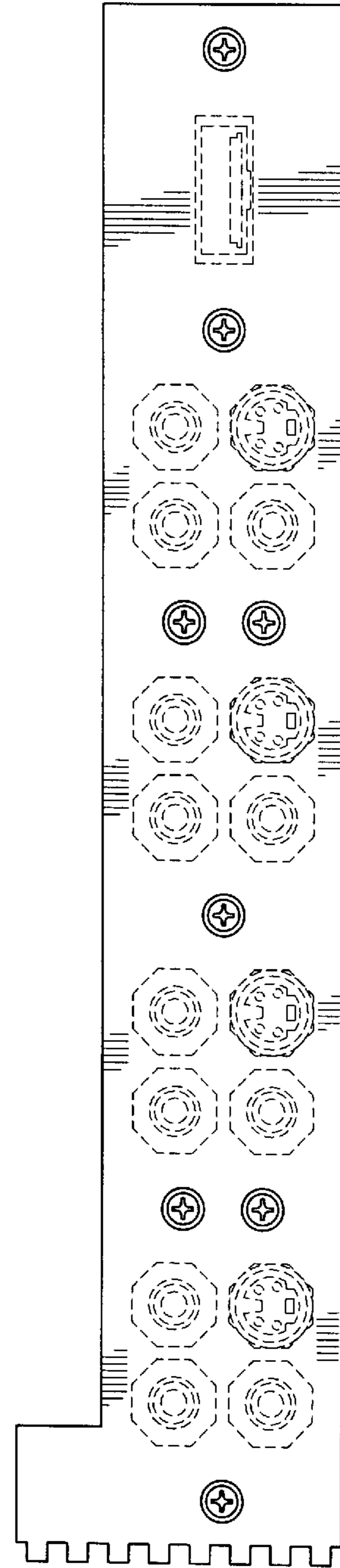


Fig. 4

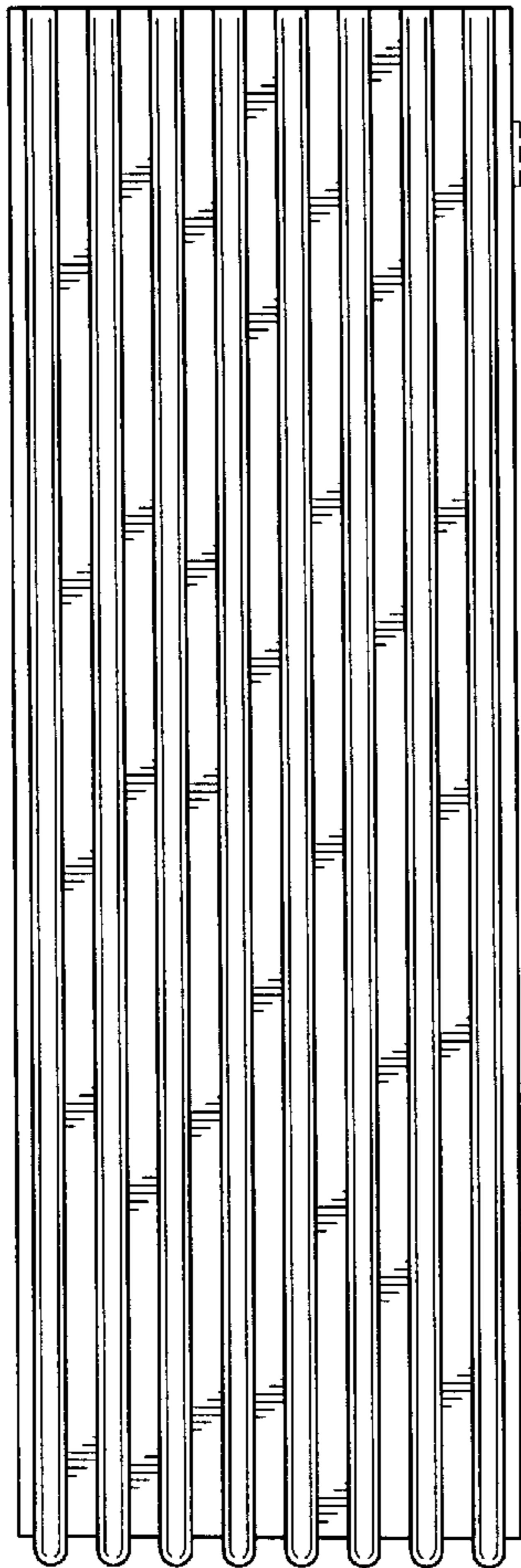


Fig. 5



Fig. 6

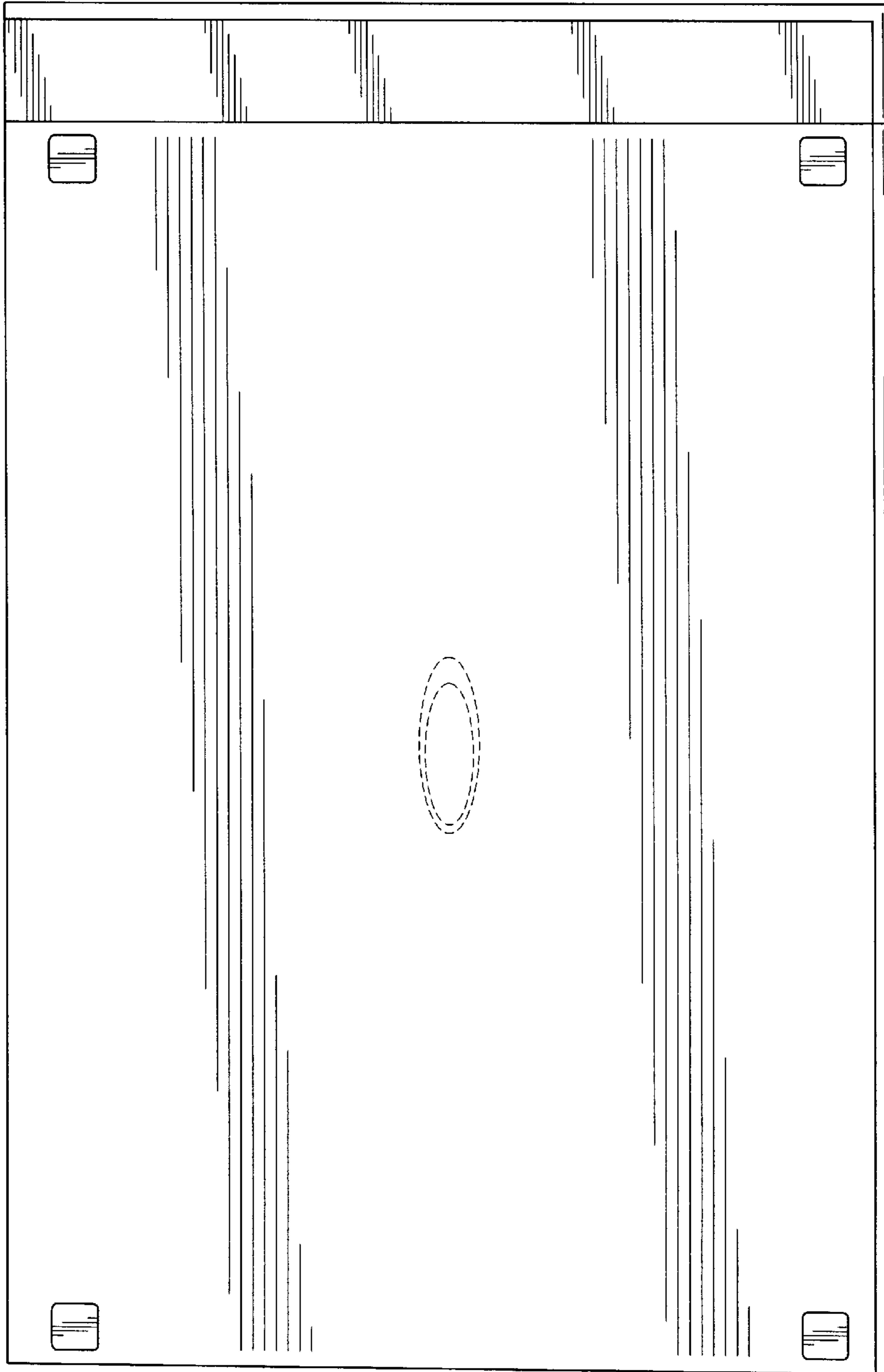


Fig. 7

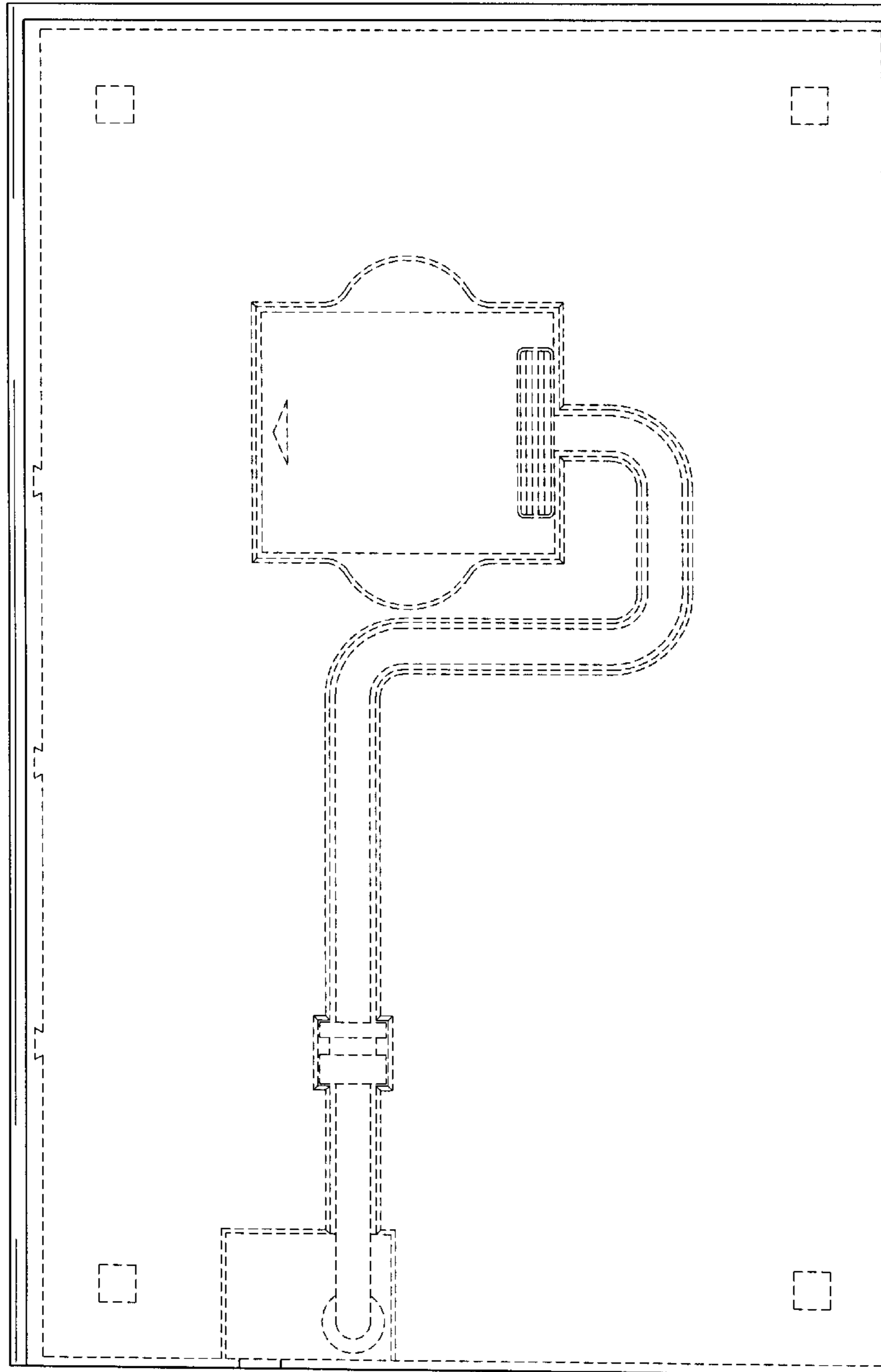
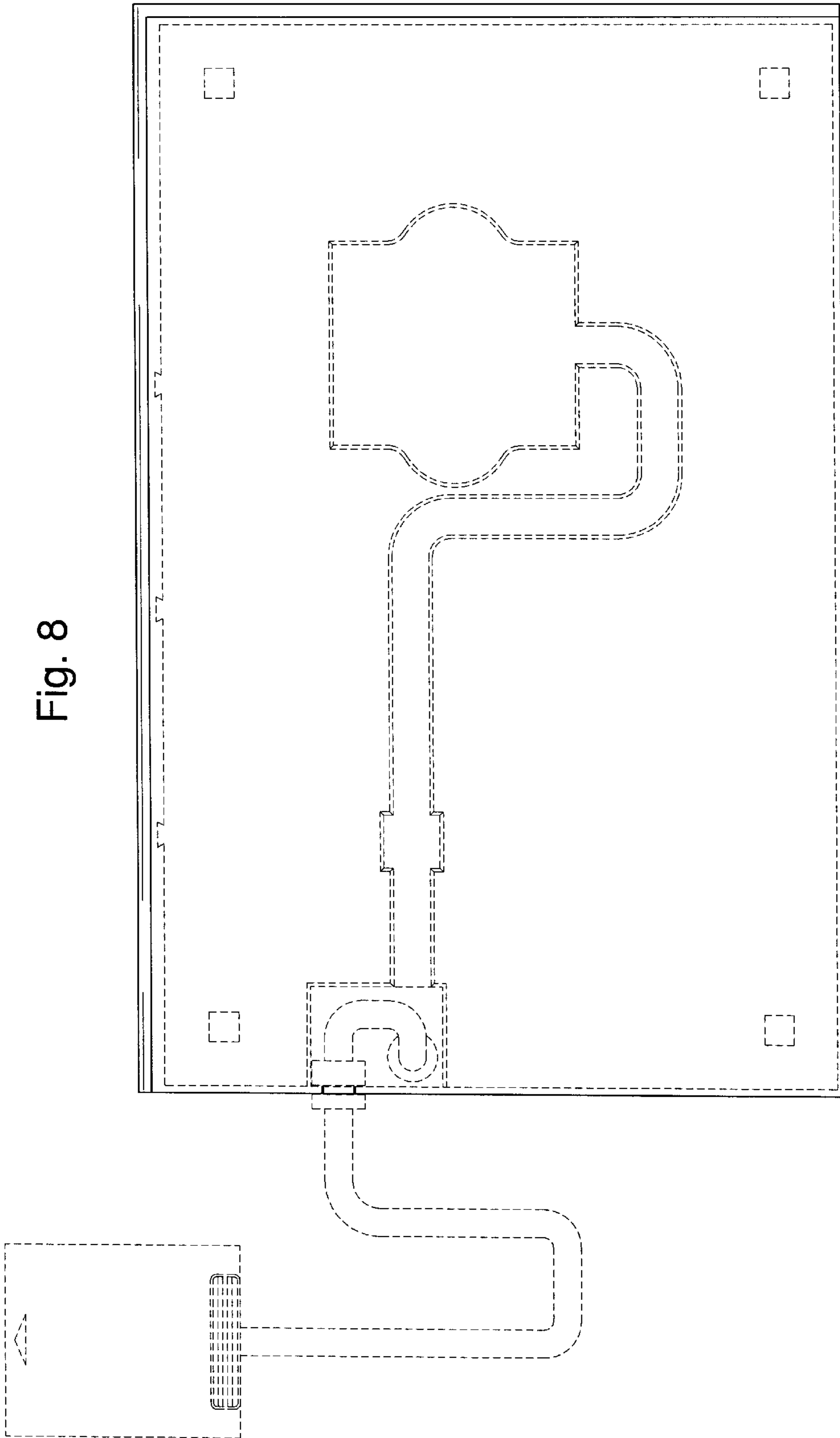


Fig. 8



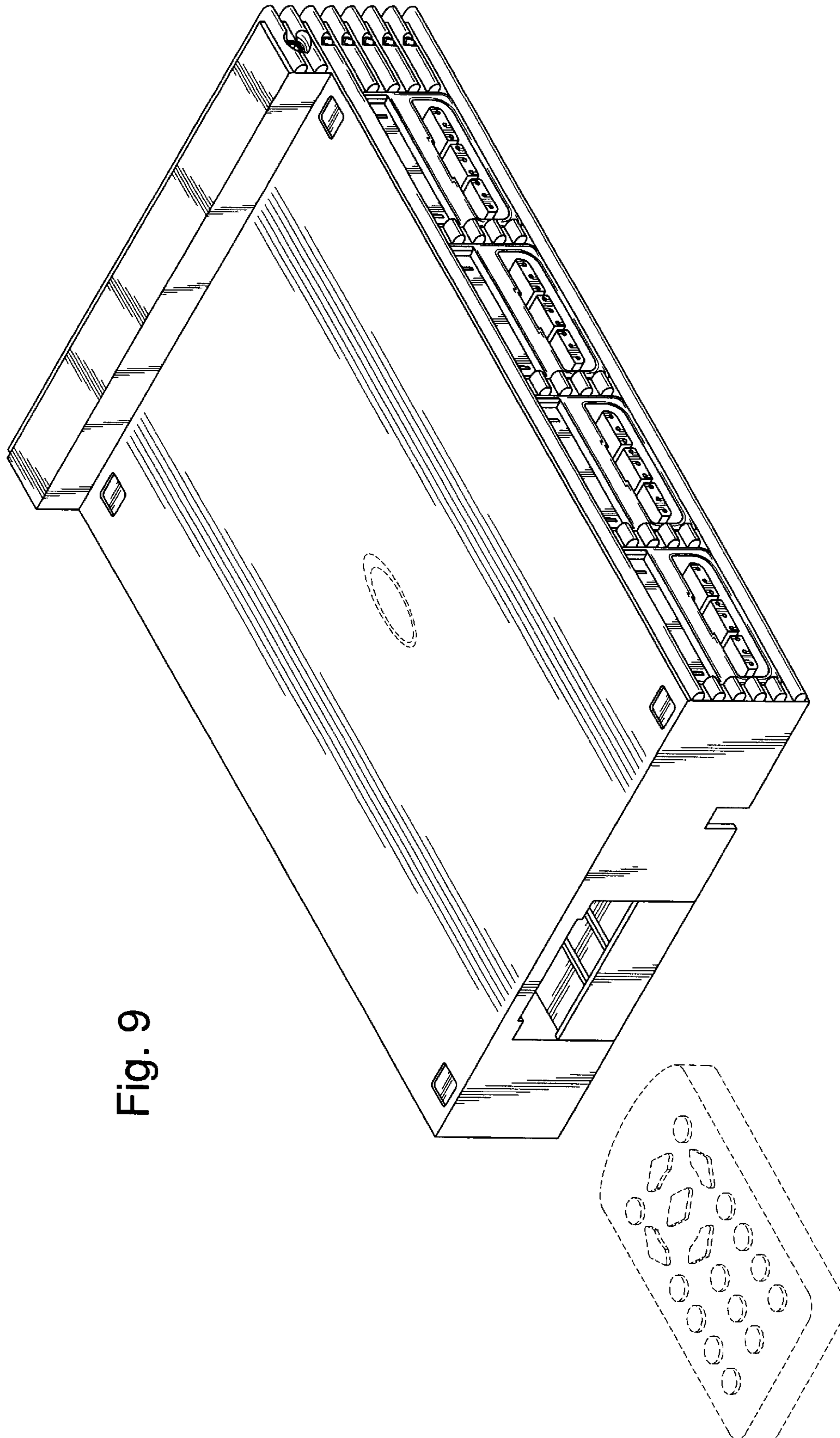


Fig. 9

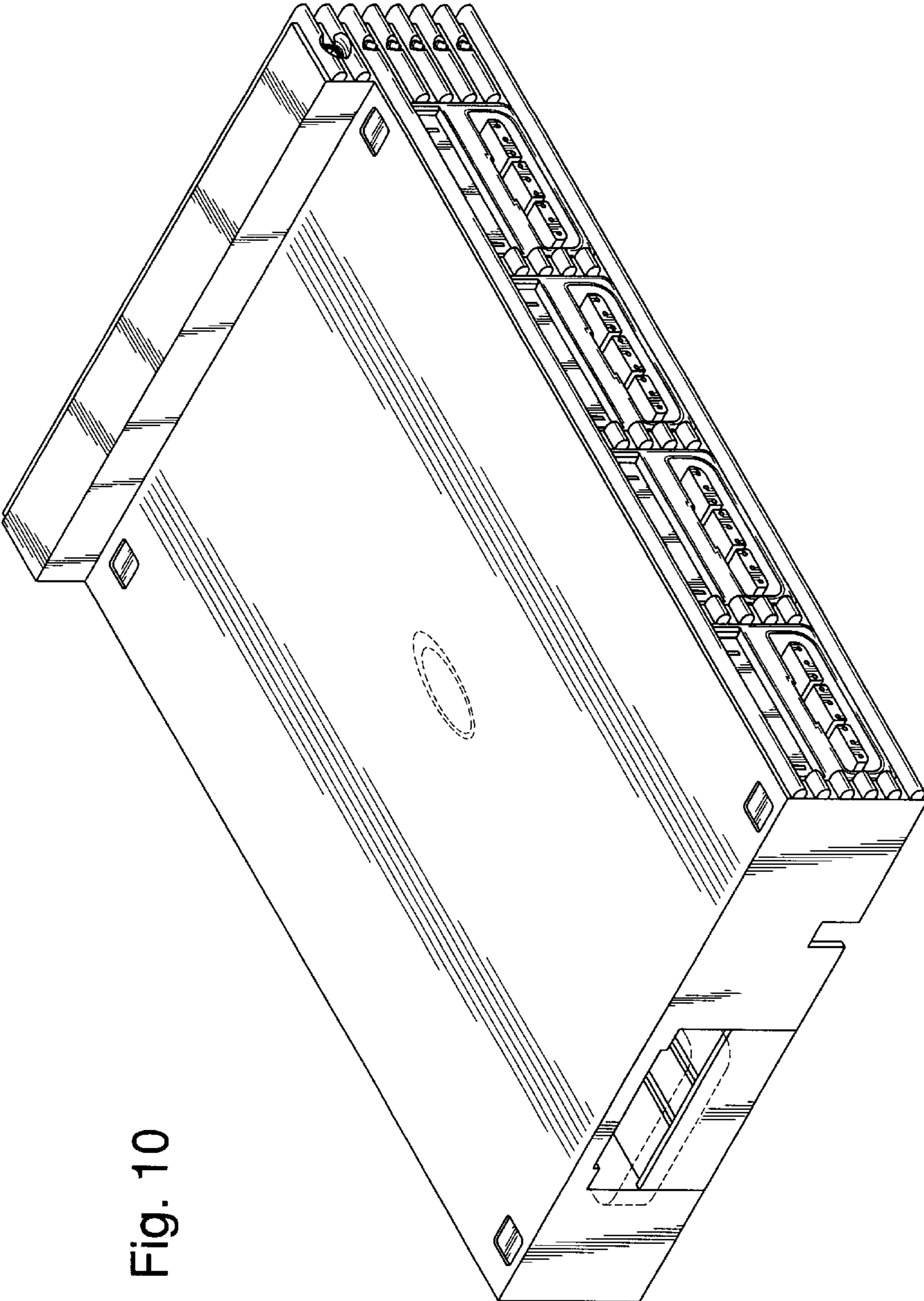


Fig. 10