



US00D539852S

(12) **United States Design Patent**
Hussaini et al.

(10) **Patent No.:** **US D539,852 S**

(45) **Date of Patent:** **** Apr. 3, 2007**

(54) **MULTI PLAYER ADAPTER FOR VIDEO GAME**

(75) Inventors: **Saied Hussaini**, Miami, FL (US); **Marc Iacovelli**, Miami, FL (US)

(73) Assignee: **Intec, Inc.**, Miami, FL (US)

(**) Term: **14 Years**

(21) Appl. No.: **29/234,141**

(22) Filed: **Jul. 14, 2005**

(51) **LOC (8) Cl.** **21-01**

(52) **U.S. Cl.** **D21/332; D14/433**

(58) **Field of Classification Search** D21/332,
D21/333, 324, 328; D14/432-435, 496, 217,
D14/299, 400; 273/148 B; 463/1, 43-47;
340/825.25, 825.22; 345/156, 157, 905, 906
See application file for complete search history.

(56) **References Cited**

U.S. PATENT DOCUMENTS

4,259,668	A	*	3/1981	Nishimura et al.	345/169
5,282,621	A	*	2/1994	Tseng	463/45
5,556,108	A	*	9/1996	Nagano et al.	463/45
D375,090	S	*	10/1996	Lambert et al.	D14/433
5,809,520	A	*	9/1998	Edwards et al.	711/115
D415,534	S	*	10/1999	Ashida	D21/332
6,052,472	A	*	4/2000	Lo	381/123
D449,078	S	*	10/2001	Fujita	D21/332
6,325,718	B1	*	12/2001	Nishiumi et al.	463/36
D464,947	S	*	10/2002	Hussaini et al.	D14/217
D470,848	S	*	2/2003	Morooka	D14/433

D474,154	S	*	5/2003	Lai	D13/147
D500,324	S	*	12/2004	Hussaini et al.	D14/496

* cited by examiner

Primary Examiner—Prabhakar Deshmukh

(74) *Attorney, Agent, or Firm*—Berenato, White & Stavish

(57) **CLAIM**

The ornamental design for a multi player adapter for video game, as shown and described.

DESCRIPTION

FIG. 1 is a perspective view of the multi player adapter for video game according to the present invention.

FIG. 2 is a front view of the multi player adapter for video game of FIG. 1.

FIG. 3 is a rear view of the multi player adapter for video game of FIG. 1.

FIG. 4 is a right side view of the multi player adapter for video game of FIG. 1.

FIG. 5 is a left side view of the multi player adapter for video game of FIG. 1.

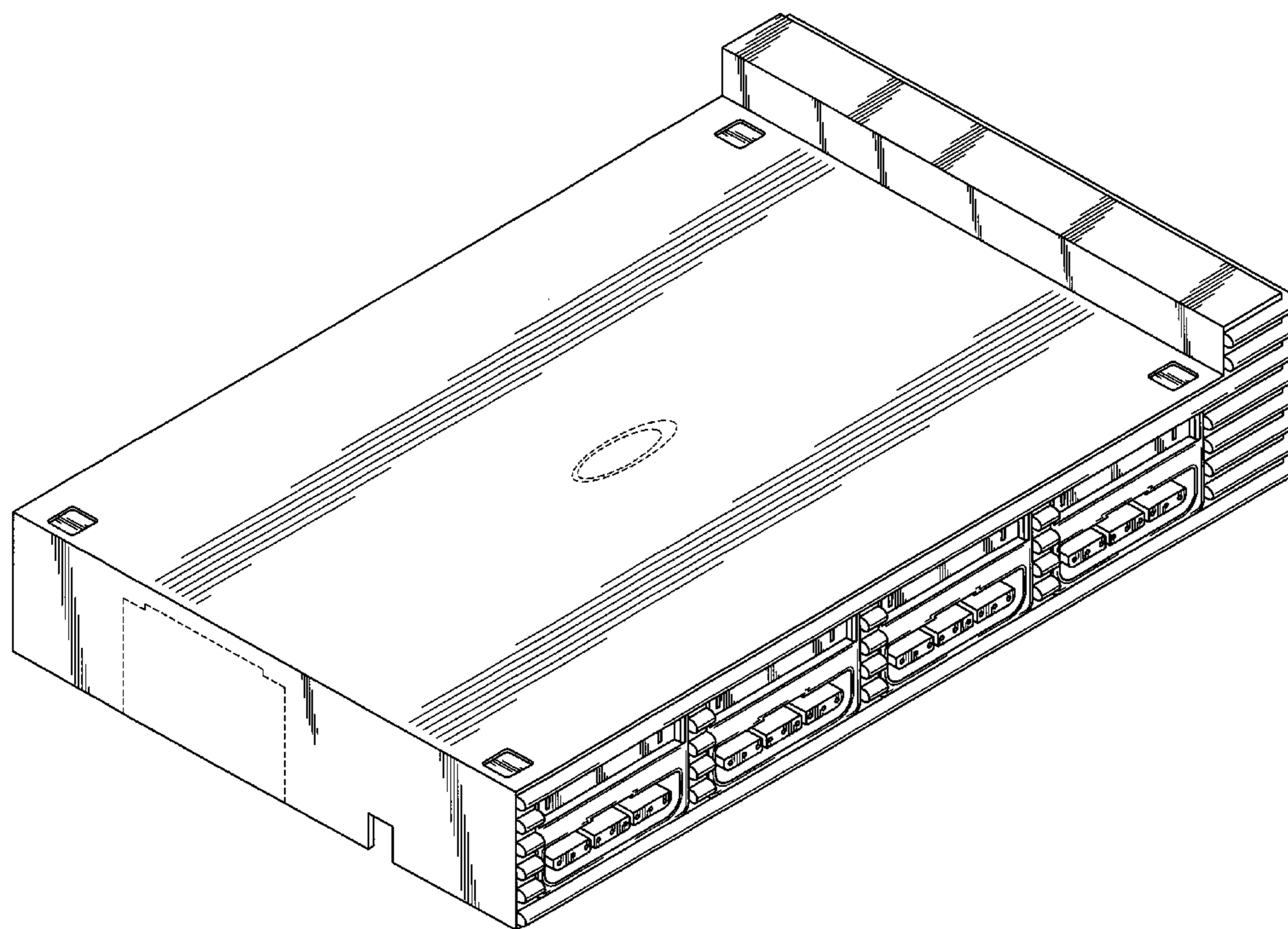
FIG. 6 is a top view of the multi player adapter for video game of FIG. 1.

FIG. 7 is a bottom side view of the multi player adapter for video game of FIG. 1; and,

FIG. 8 is an alternate bottom view with cord in alternate position.

The broken lines, which define the boundary of the claimed design, form no part thereof. The broken lines environmental are for illustrative purpose only and form no part of the claimed design.

1 Claim, 6 Drawing Sheets



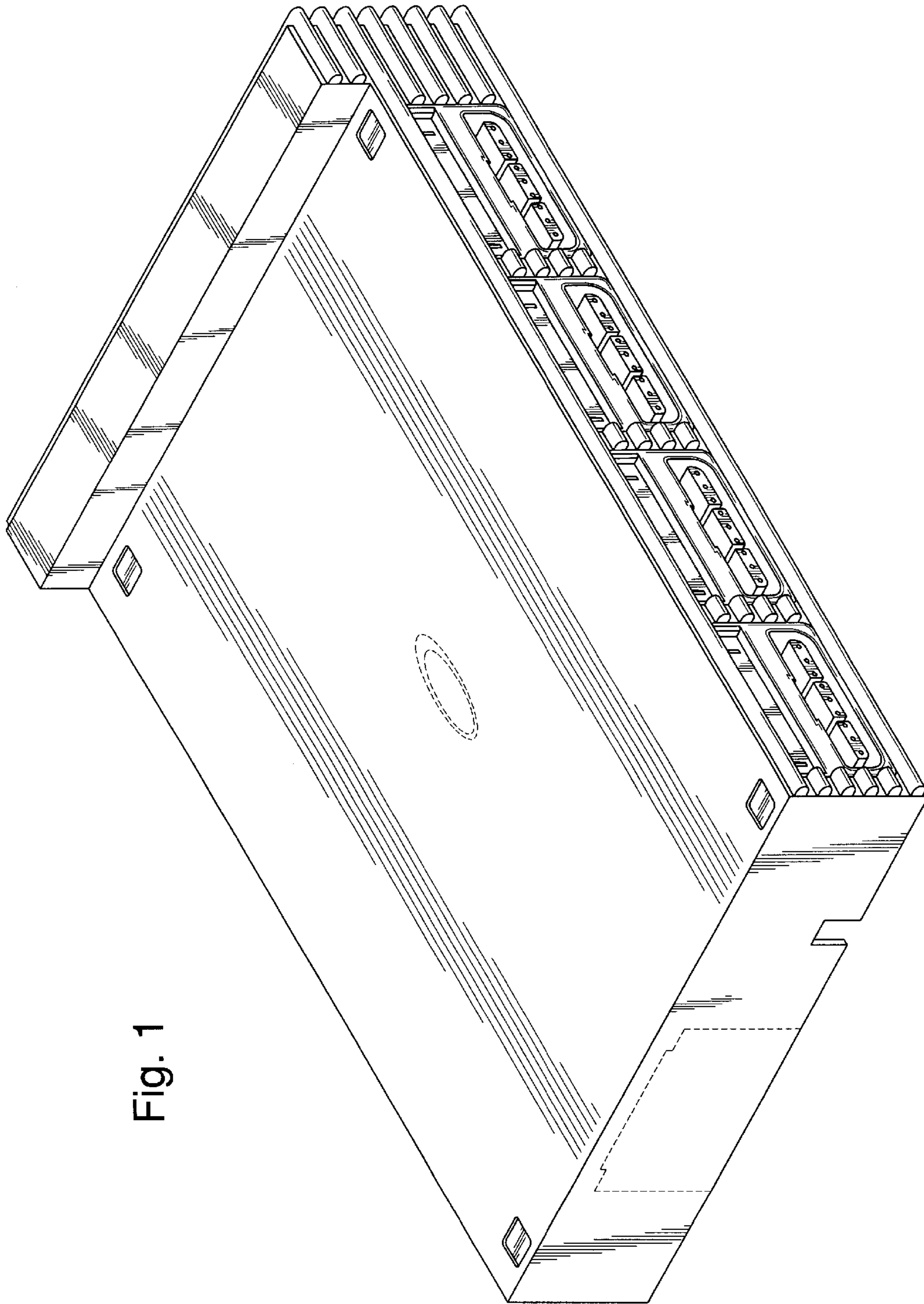


Fig. 1

Fig. 2

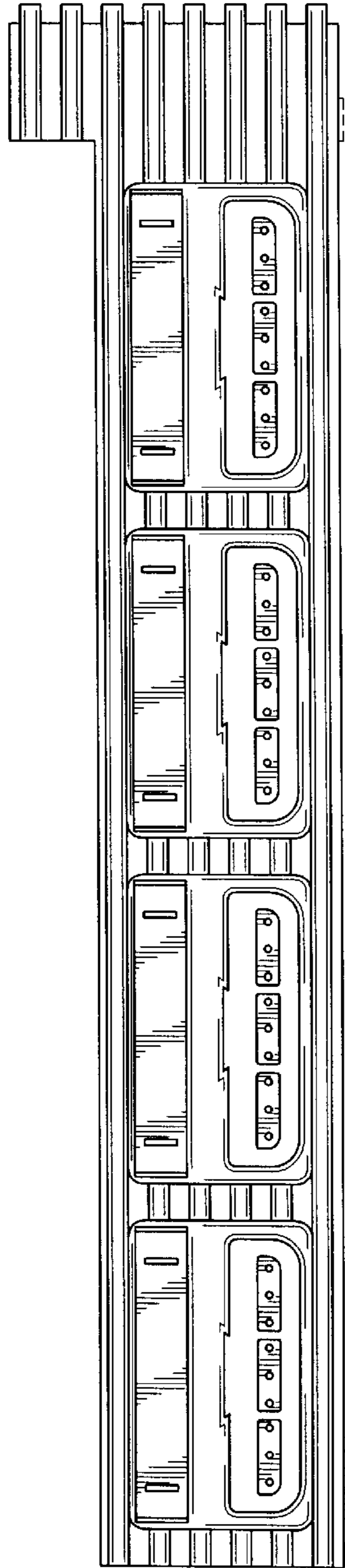


Fig. 3

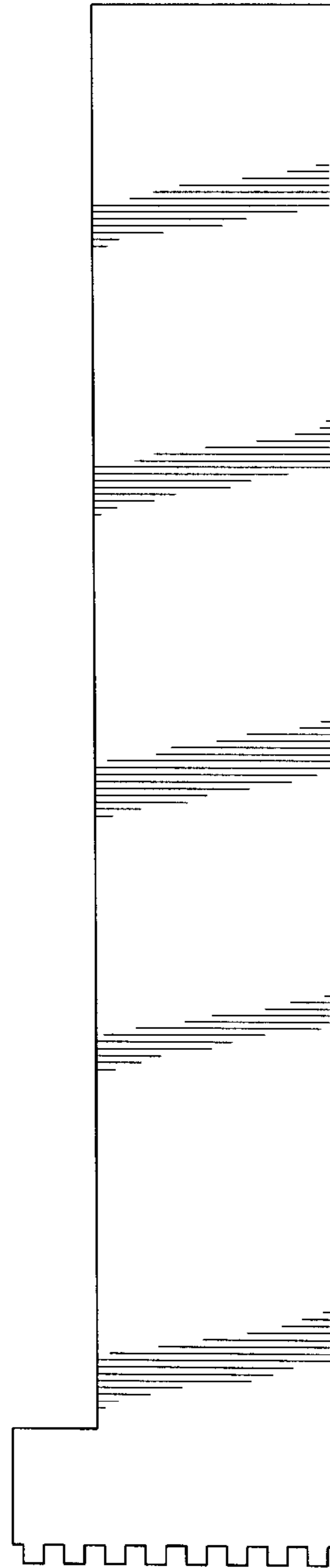


Fig. 4

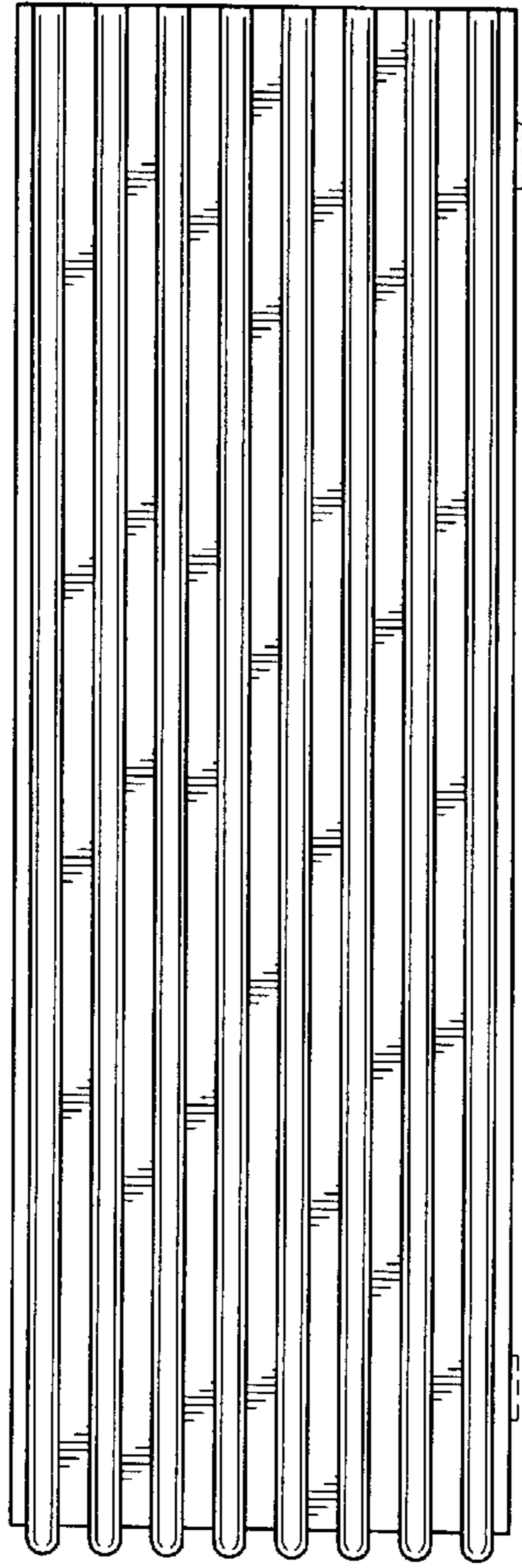


Fig. 5

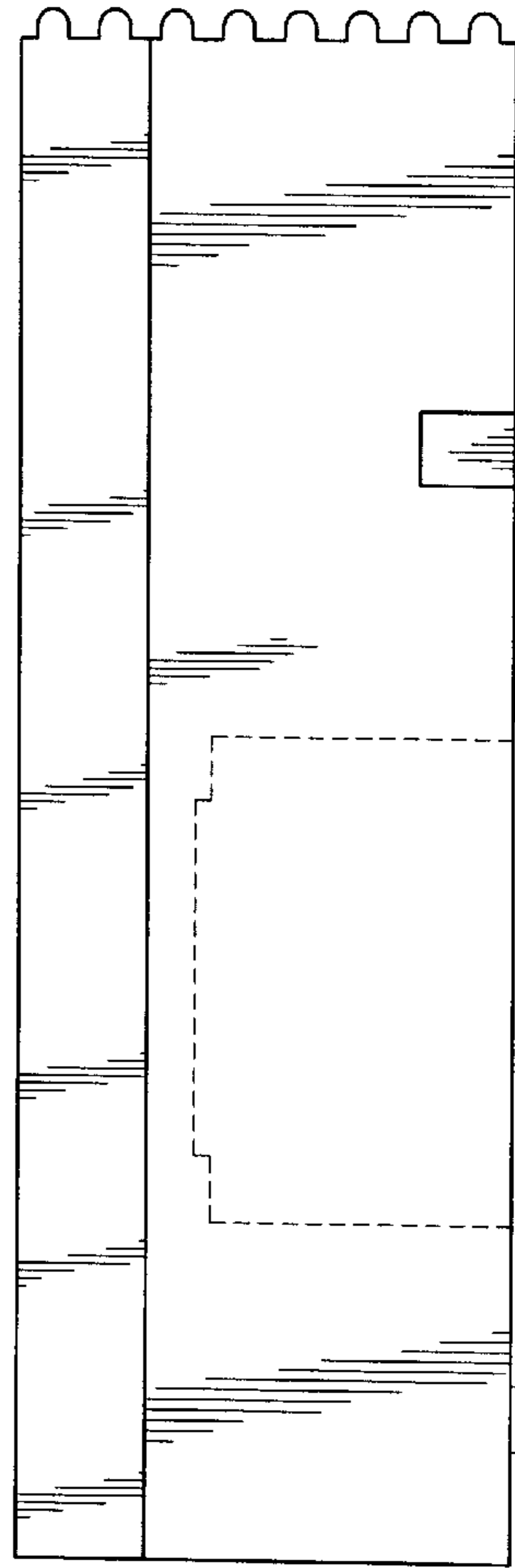


Fig. 6

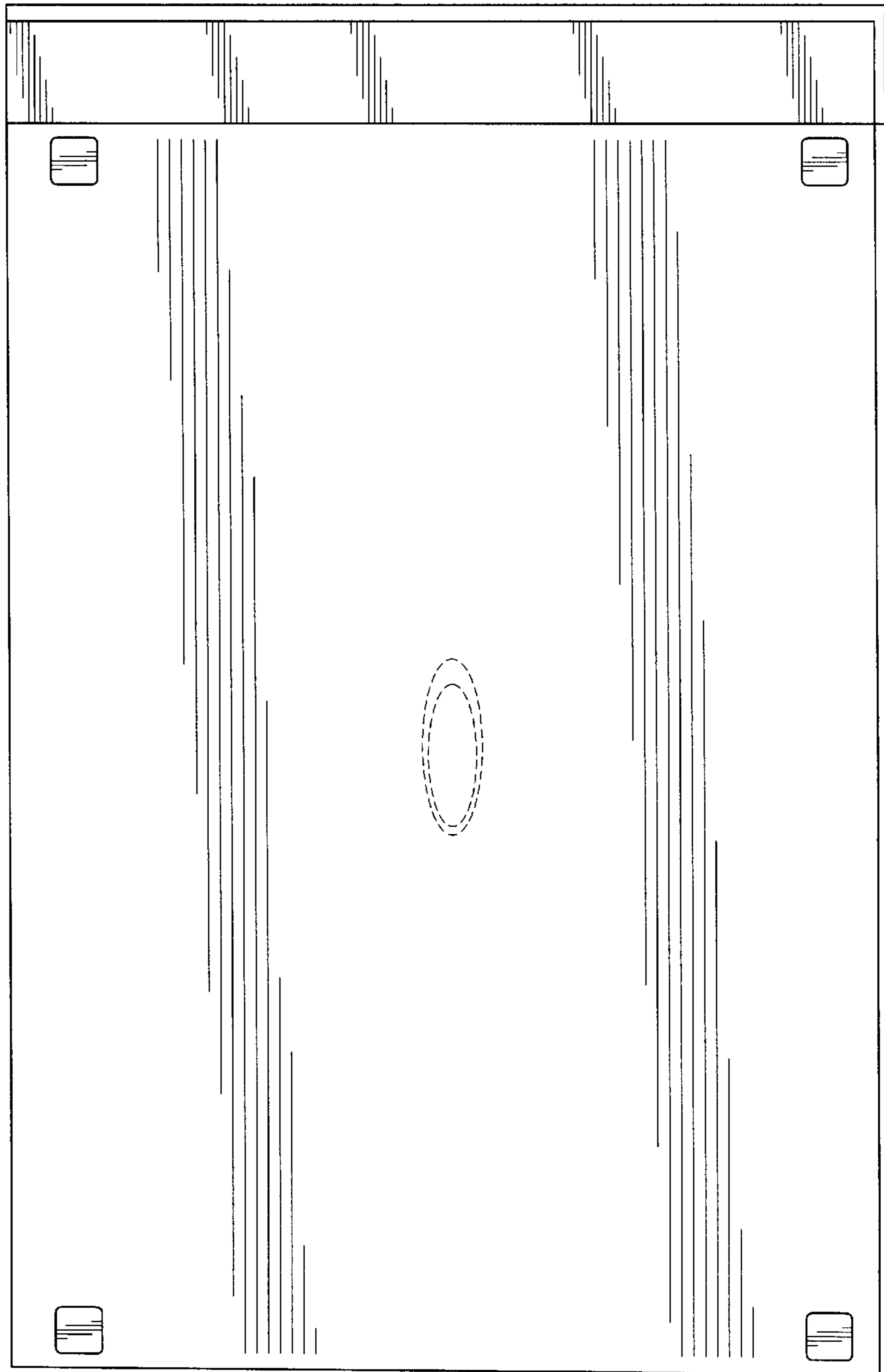


Fig. 7

