

US00D539849S

(12) **United States Design Patent**  
**Chang**

(10) **Patent No.:** **US D539,849 S**

(45) **Date of Patent:** **\*\* Apr. 3, 2007**

(54) **VENDING MACHINE WITH SYMMETRICAL COVER AND CANISTER EXTERIOR**

(76) Inventor: **Kil Jae Chang**, T. PiCO. Korea  
Manufacturing, 321-37 Suksu, 2 Dong,  
Anyang City, Kyungdido (KR)

(\*\*) Term: **14 Years**

(21) Appl. No.: **29/265,208**

(22) Filed: **Aug. 28, 2006**

(51) **LOC (8) Cl.** ..... **20-01**

(52) **U.S. Cl.** ..... **D20/4; D20/7**

(58) **Field of Classification Search** ..... D20/3,  
D20/4, 5, 6, 7; 194/350; 221/92, 124, 225,  
221/265; 222/478, 526; 312/114, 117, 124,  
312/125

See application file for complete search history.

(56) **References Cited**

**U.S. PATENT DOCUMENTS**

D35,296 S	*	11/1901	Davis	.....	D20/3
921,338 A	*	5/1909	Asbury	.....	221/67
D53,876 S	*	10/1919	Bolen	.....	D20/7
1,416,566 A	*	5/1922	McCleary	.....	312/125
1,713,661 A	*	5/1929	Kemball et al.	.....	312/117
D90,652 S	*	9/1933	Gilmer	.....	D20/4
D103,055 S		2/1937	Main		
D135,412 S	*	4/1943	Meyer	.....	D20/4
2,537,317 A		1/1951	Probasco		
D180,619 S	*	7/1957	Probasco	.....	D20/4
D198,310 S	*	6/1964	Reid	.....	D25/16
4,420,095 A	*	12/1983	Galoob	.....	221/265
D316,117 S	*	4/1991	Irwin	.....	D20/4

5,082,101 A		1/1992	Baker		
D331,603 S		12/1992	Peterson		
D344,762 S		3/1994	Peterson		
D357,503 S	*	4/1995	Perry et al.	.....	D20/1
D373,386 S	*	9/1996	Beene	.....	D20/7
D453,532 S		2/2002	Semeniuk		
D469,127 S	*	1/2003	Schwarzli	.....	D20/7
6,915,914 B2	*	7/2005	Farrand	.....	211/163

\* cited by examiner

*Primary Examiner*—Robert M. Spear

(74) *Attorney, Agent, or Firm*—John R. Flanagan

(57) **CLAIM**

The ornamental design for a vending machine with symmetrical cover and canister exterior, as shown and described.

**DESCRIPTION**

FIG. 1 is a perspective view of a vending machine with symmetrical cover and canister exterior, showing my new design.

FIG. 2 is a front elevational view of the vending machine with symmetrical cover and canister exterior.

FIG. 3 is a right side elevational view of the vending machine with symmetrical cover and canister exterior.

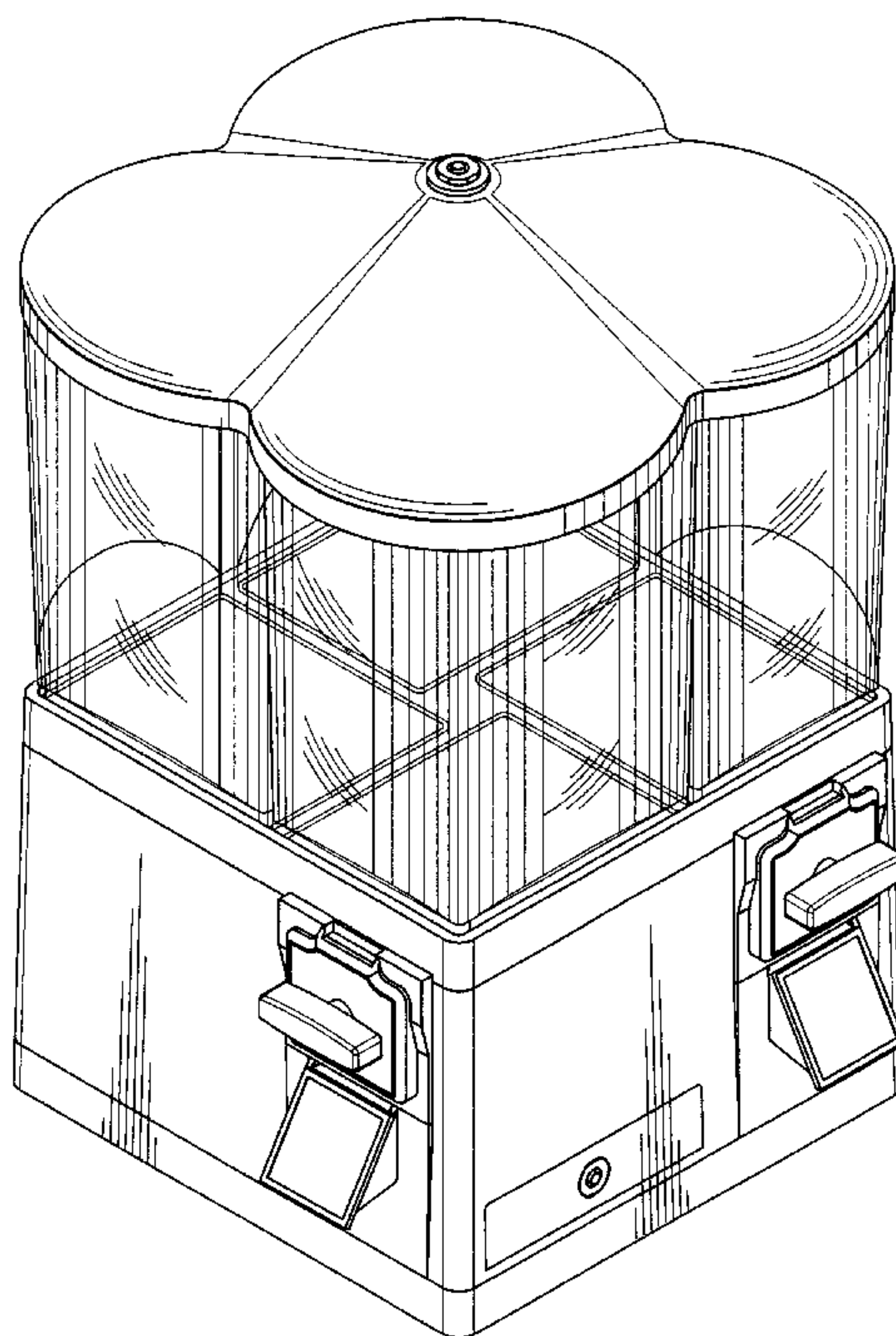
FIG. 4 is a left side elevational view of the vending machine with symmetrical cover and canister exterior.

FIG. 5 is a rear elevational view of the vending machine with symmetrical cover and canister exterior.

FIG. 6 is a top plan view of the vending machine with symmetrical cover and canister exterior; and,

FIG. 7 is a bottom plan view of the vending machine with symmetrical cover and canister exterior.

**1 Claim, 4 Drawing Sheets**



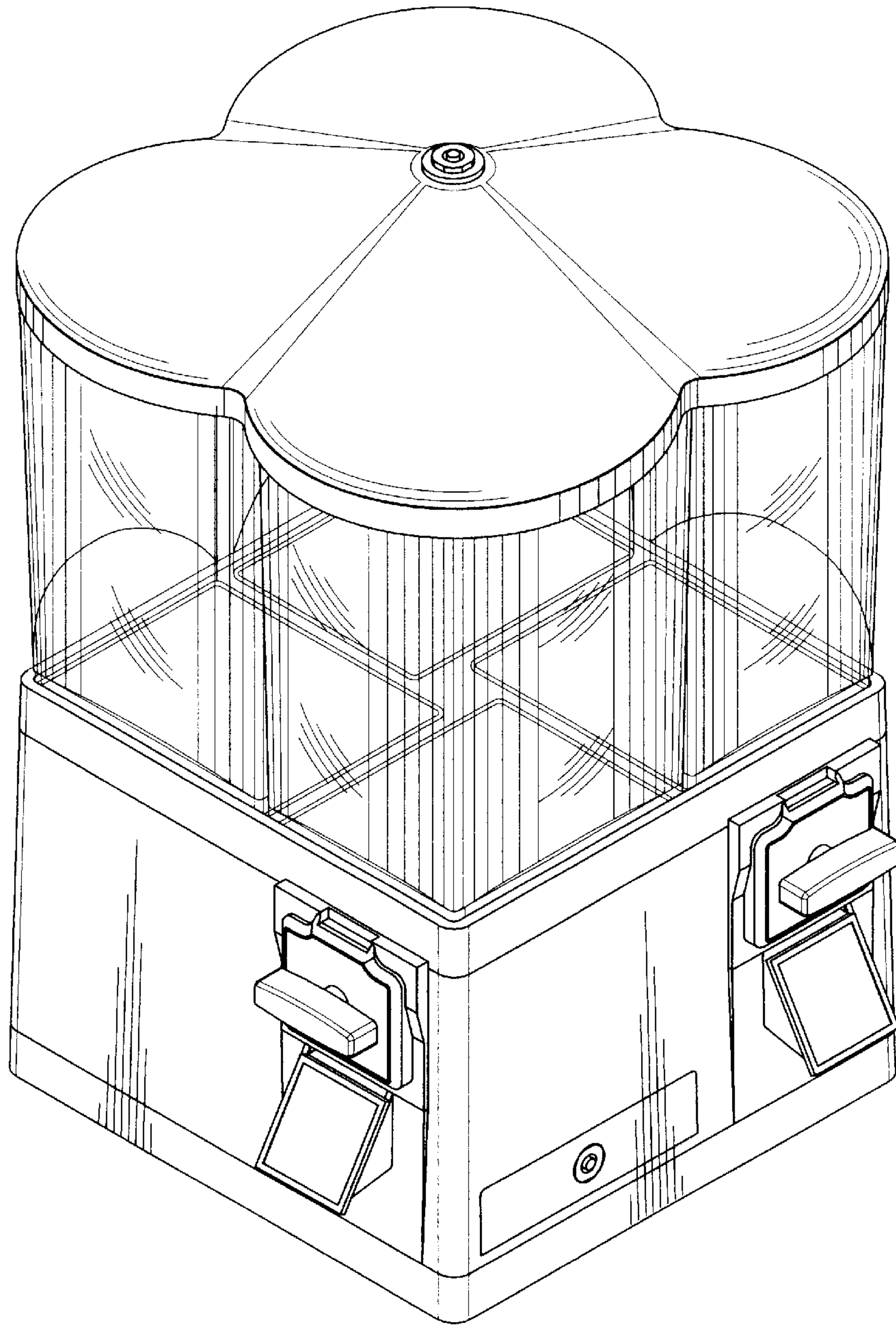
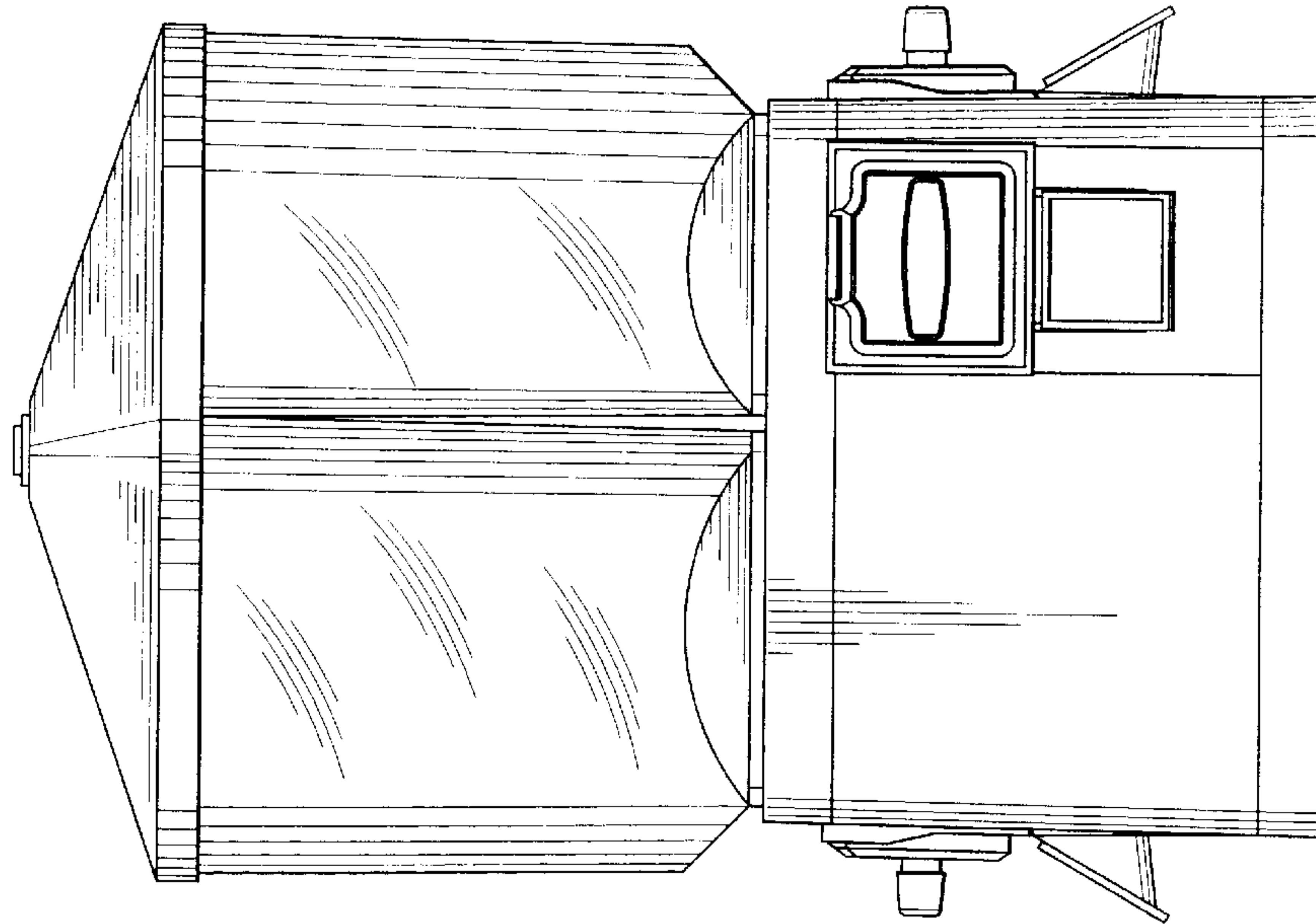
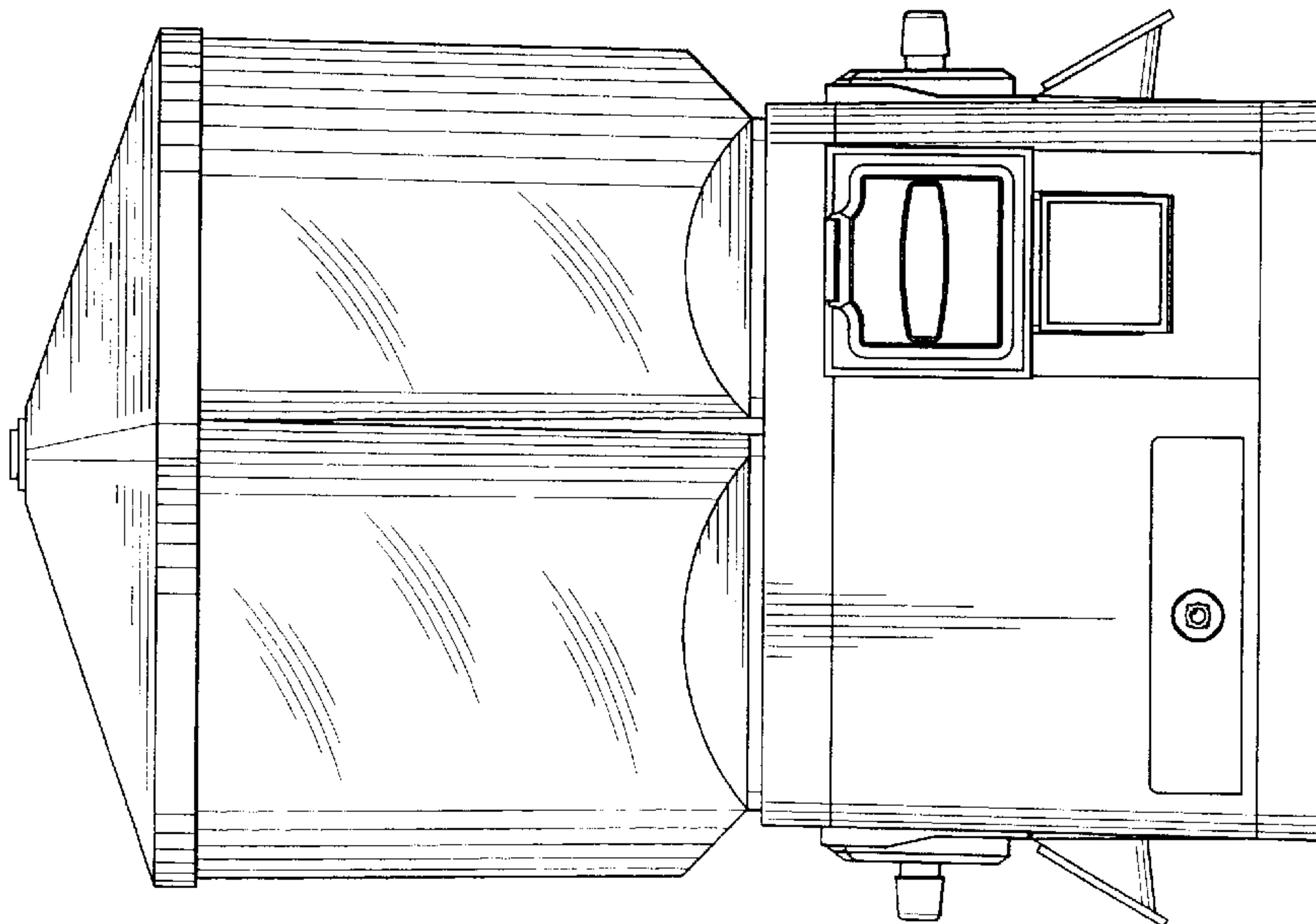


Fig. 1

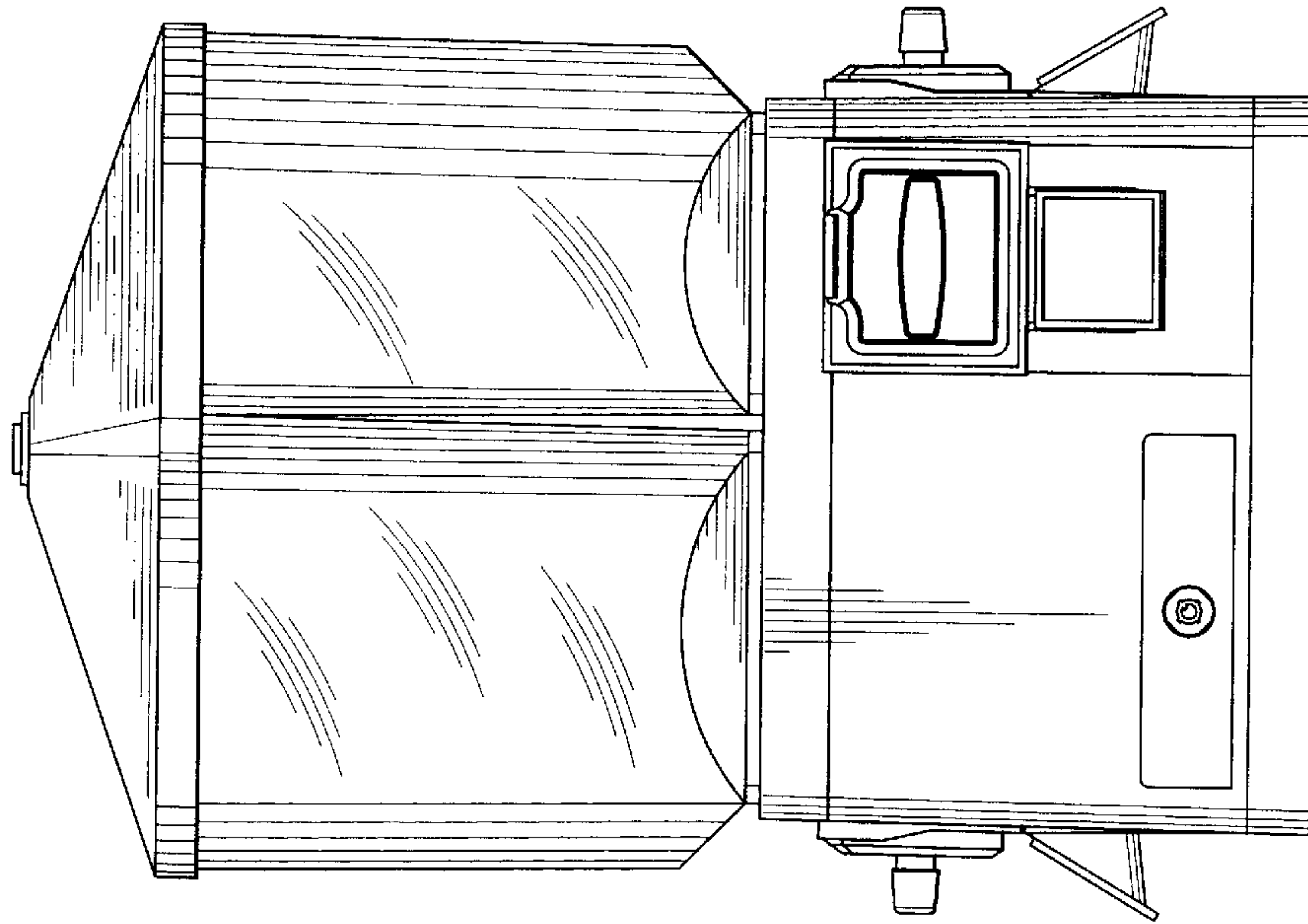


*Fig. 3*

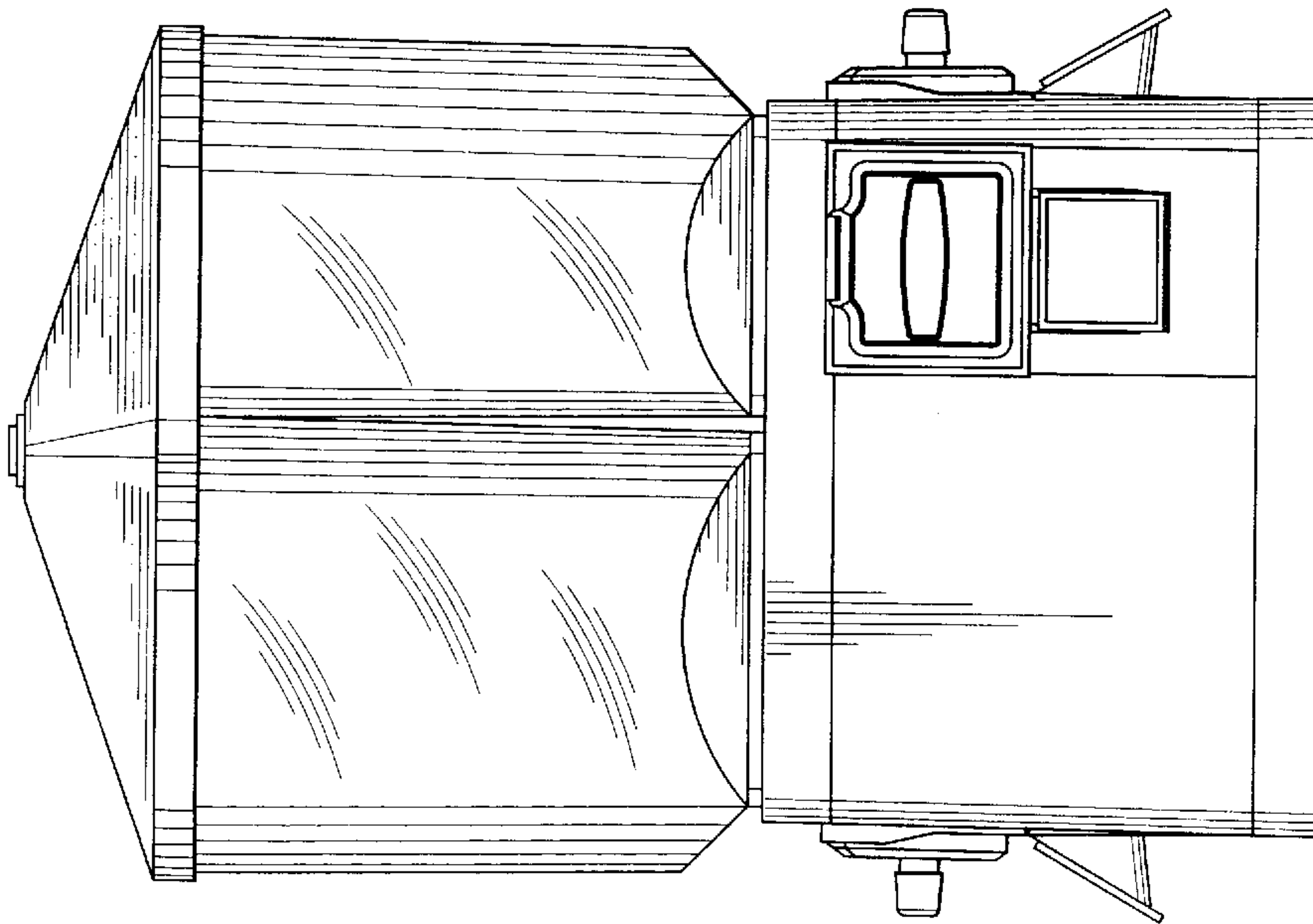


*Fig. 2*

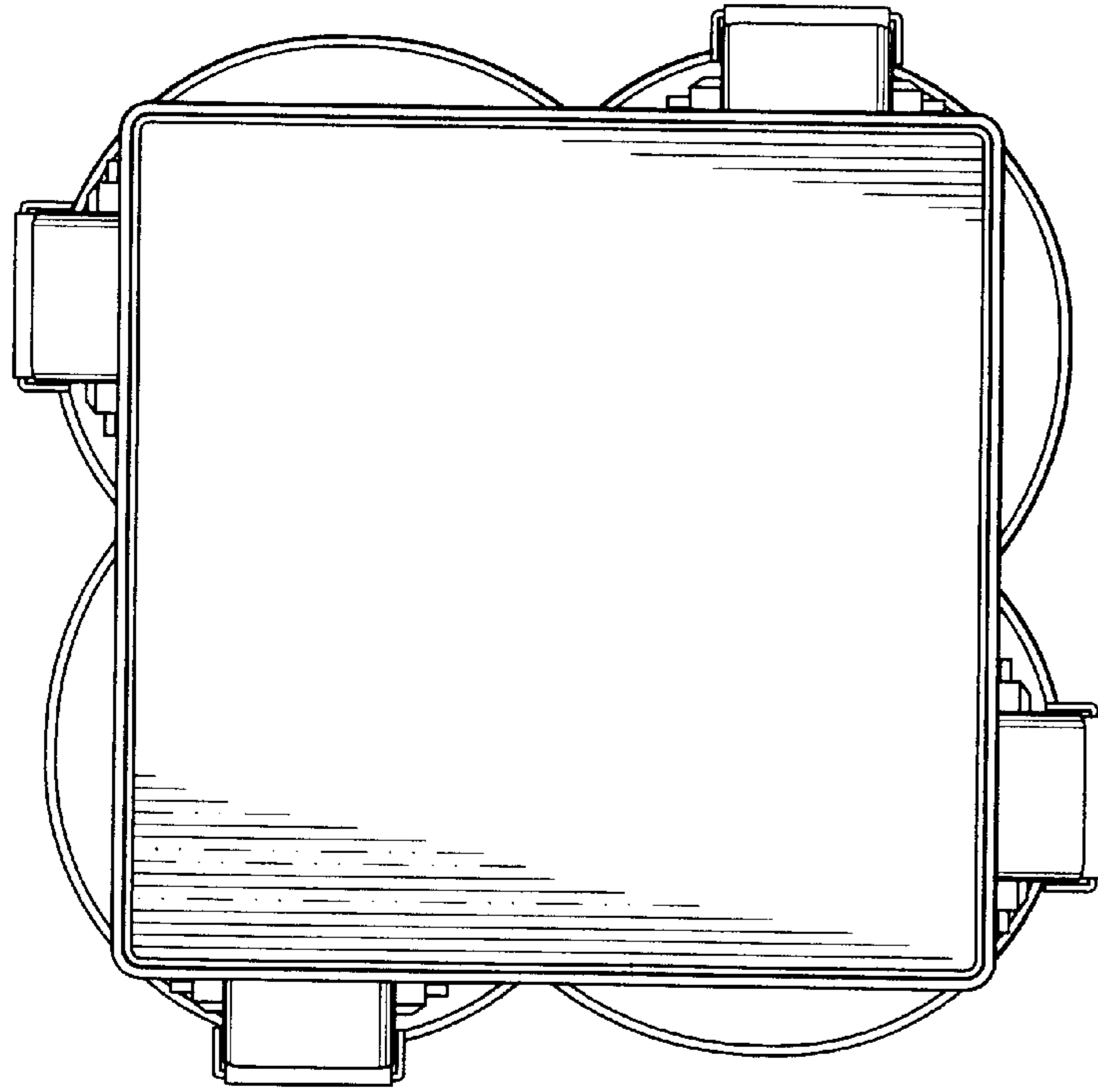




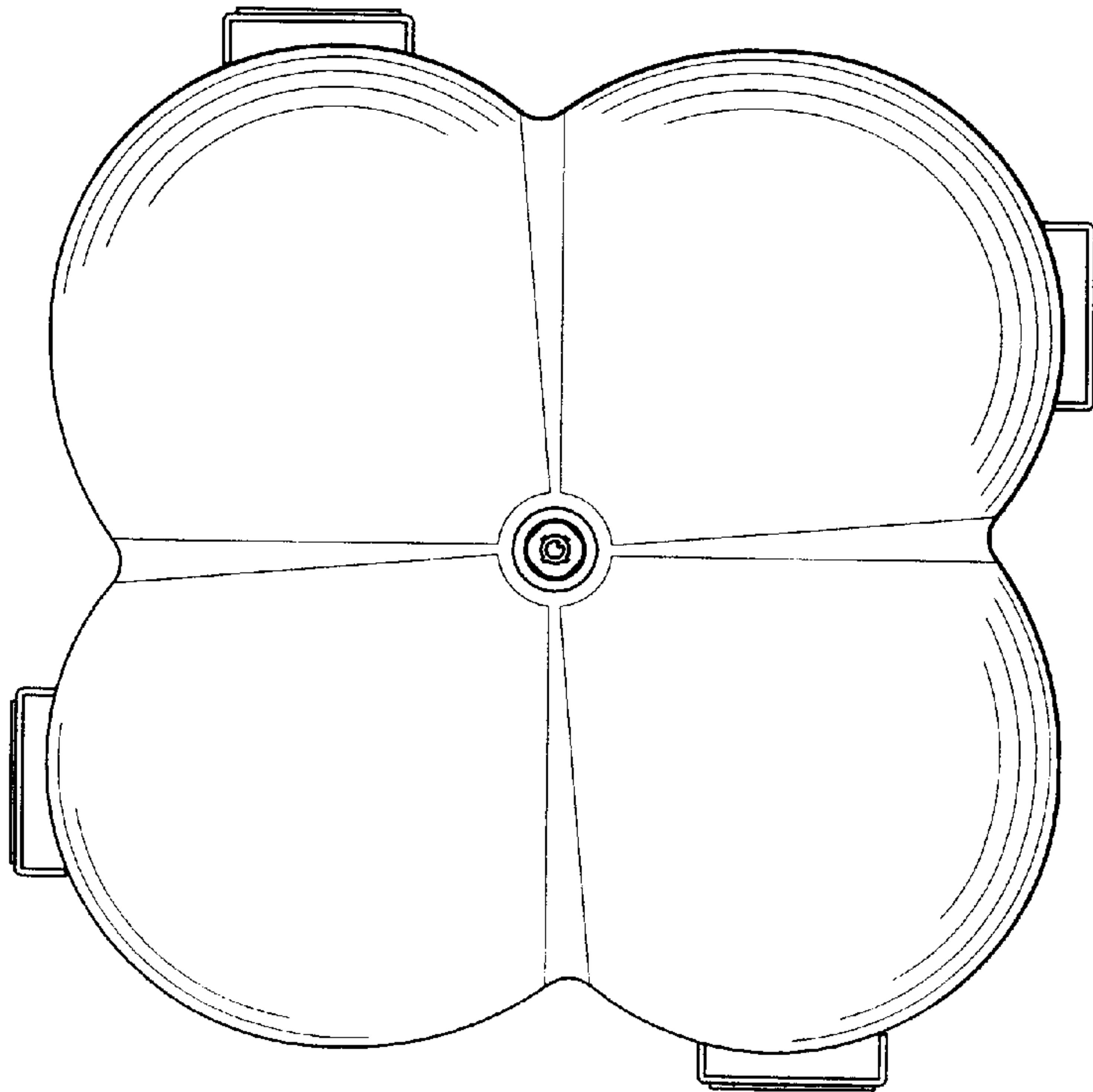
*Fig. 5*



*Fig. 4*



*Fig. 7*



*Fig. 6*