



US00D539847S

(12) **United States Design Patent**  
**Roeloffs**

(10) **Patent No.:** **US D539,847 S**

(45) **Date of Patent:** **\*\* Apr. 3, 2007**

(54) **PEN WITH CLIP**

(75) Inventor: **Bob Roeloffs**, Amsterdam (NL)

(73) Assignee: **BRidea**, Amsterdam (NL)

(\*\*) Term: **14 Years**

(21) Appl. No.: **29/227,773**

(22) Filed: **Apr. 15, 2005**

(30) **Foreign Application Priority Data**

Oct. 15, 2004	(EM)	000240239-0002
Oct. 15, 2004	(EM)	000240239-0003
Oct. 15, 2004	(EM)	000240239-0004
Oct. 15, 2004	(EM)	000240239-0005
Oct. 15, 2004	(EM)	000240239-0006
Oct. 15, 2004	(EM)	000240239-0001

(51) **LOC (8) Cl.** ..... **19-06**

(52) **U.S. Cl.** ..... **D19/56**

(58) **Field of Classification Search** ..... D19/36,  
D19/37, 41-51, 54-57; 24/11 R, 11 F, 11 P,  
24/10 R, 11 PP, 11 CC, 11 CT, 11 HC, 11 M,  
24/12, 10 A, 3.11, 3.12; 401/52, 99, 100,  
401/104, 105, 106, 107, 108, 109, 192, 195,  
401/243-247

See application file for complete search history.

(56) **References Cited**

**U.S. PATENT DOCUMENTS**

1,840,563 A \* 1/1932 Brosius, Jr. .... 24/11 CT

3,627,182 A	*	12/1971	Calkins	224/584
D310,449 S	*	9/1990	Agrippino	D3/208
D316,274 S	*	4/1991	Suzuki	D19/85
D323,530 S	*	1/1992	Cowan	D19/56
D352,957 S	*	11/1994	Lehtimaki	D19/36
5,839,168 A	*	11/1998	Elkins	24/11 S
5,983,686 A	*	11/1999	Lee	70/456 R
2004/0237262 A1	*	12/2004	Arnone	24/10 R

\* cited by examiner

*Primary Examiner*—Elizabeth A. Albert

(74) *Attorney, Agent, or Firm*—Akin Gump Strauss Hauer & Feld, LLP

(57) **CLAIM**

The ornamental design for a pen with clip, as shown and described.

**DESCRIPTION**

FIG. 1 is a perspective view of a pen with clip in accordance with my new design;

FIG. 2 is an exploded perspective view thereof;

FIG. 3 is a top plan view thereof, the bottom plan view being a mirror image;

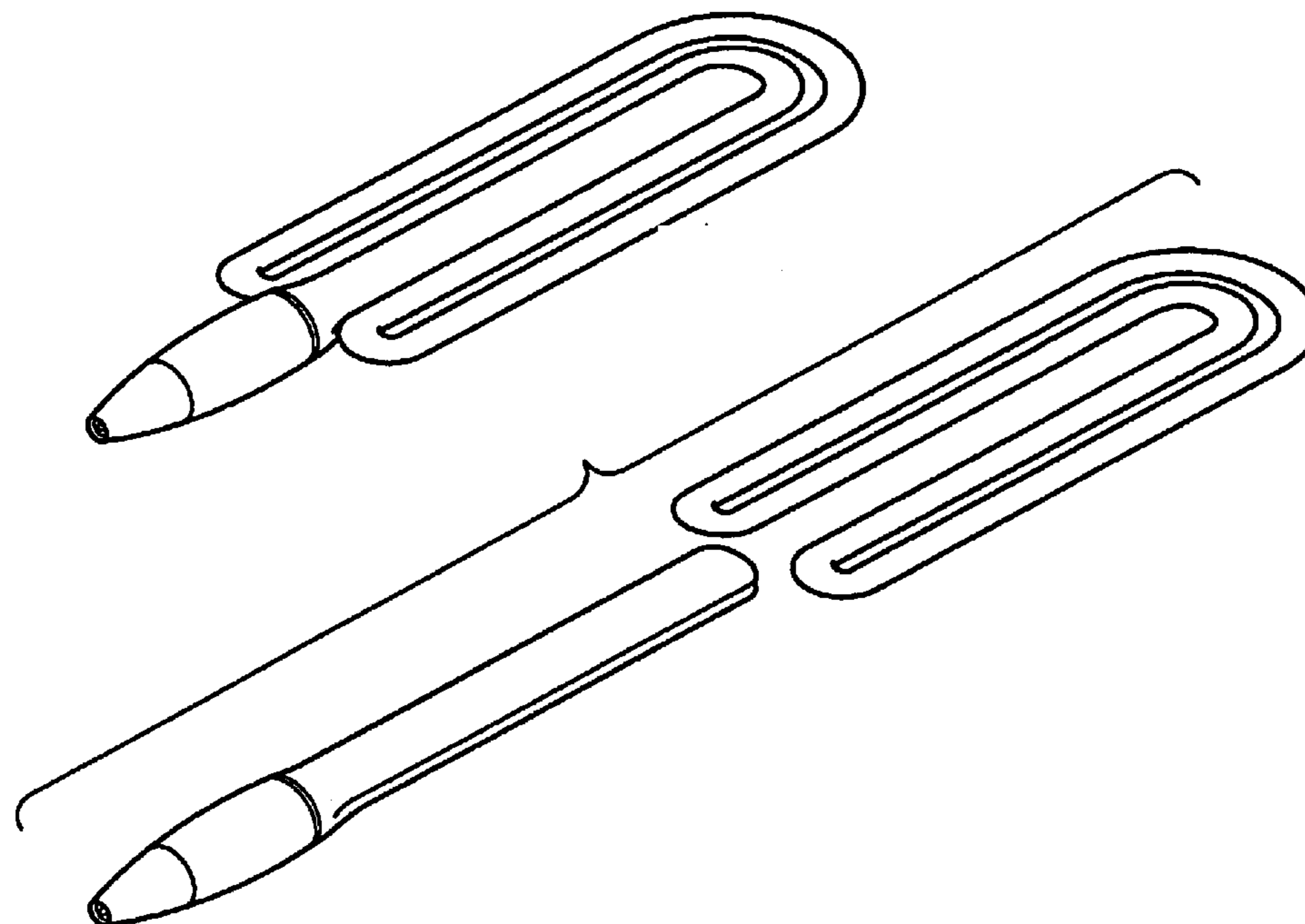
FIG. 4 is an elevation view of one side thereof, the other side elevation view being a mirror image;

FIG. 5 is a front end view thereof; and,

FIG. 6 is a rear end view thereof.

The broken lines in the figures are for illustrative purposes only and form no part of the claimed design.

**1 Claim, 1 Drawing Sheet**



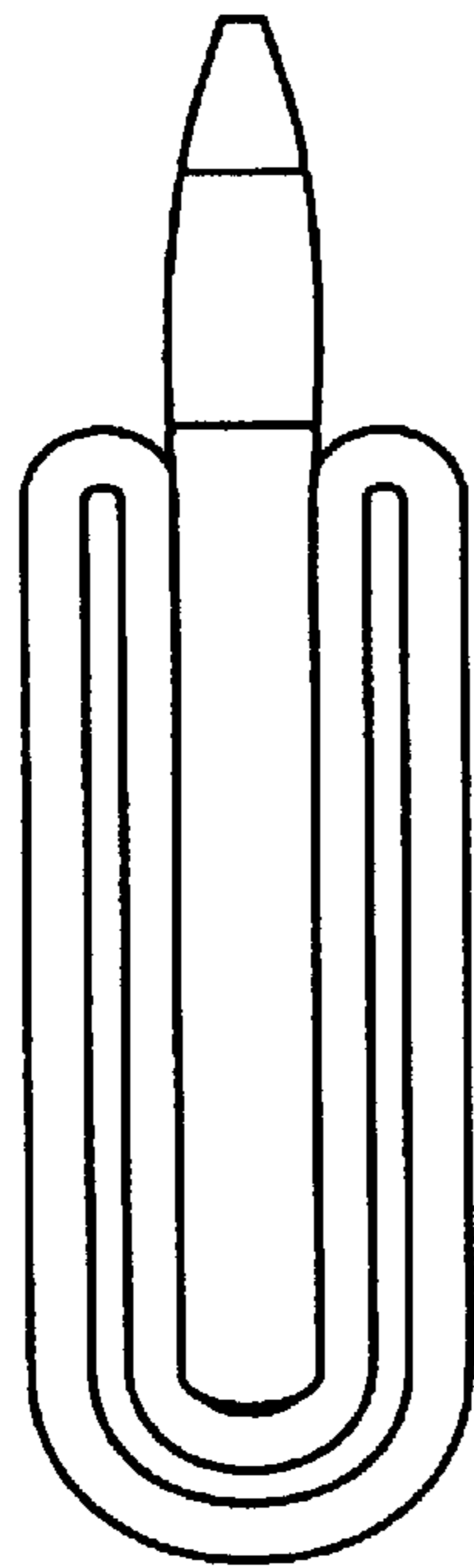
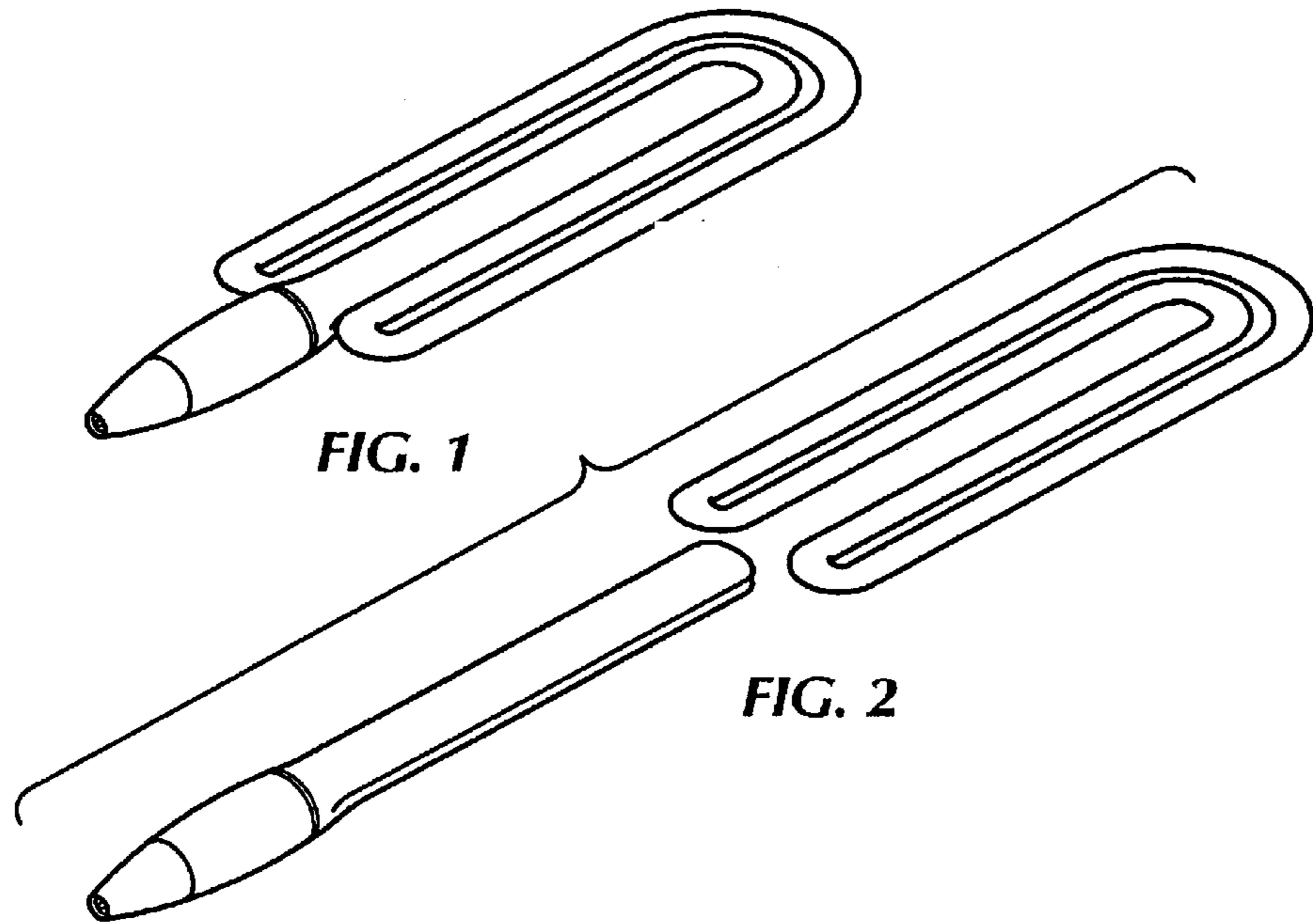


FIG. 3



FIG. 4



FIG. 5



FIG. 6