

US00D539846S

(12) **United States Design Patent**
Hutchings

(10) **Patent No.:** **US D539,846 S**

(45) **Date of Patent:** **** Apr. 3, 2007**

(54) **CARPENTER'S LAYOUT MARKER HOLDER**

(76) **Inventor:** **Robert Hutchings**, 806 Singing Drum Dr., Henderson, NV (US) 89015

(**) **Term:** **14 Years**

(21) **Appl. No.:** **29/233,170**

(22) **Filed:** **Jun. 29, 2005**

(51) **LOC (8) Cl.** **19-06**

(52) **U.S. Cl.** **D19/54**

(58) **Field of Classification Search** D3/228;
D8/70; D19/36, 37, 54, 55, 81, 85; 24/10 R,
24/11 R, 11 FE, 11 CC, 11 S, 11 M; 211/69.5,
211/69.8, 70; 401/6, 17, 29, 34, 35, 88
See application file for complete search history.

(56) **References Cited**

U.S. PATENT DOCUMENTS

447,873	A	*	3/1891	Hanimann	15/427
1,463,983	A	*	8/1923	Visitacion	401/17
2,181,202	A	*	11/1939	Prai	401/93
D120,662	S	*	5/1940	Christy	D28/86
2,610,077	A	*	9/1952	Swanson	403/282
D185,388	S	*	6/1959	Peters	D3/203.8
D223,969	S	*	6/1972	Collura	D19/53
3,879,859	A	*	4/1975	English	434/159
D248,661	S	*	7/1978	Kanawyer	D19/36
4,603,993	A	*	8/1986	Jung	401/195

D312,658	S	*	12/1990	Sumino	D19/36
D312,659	S	*	12/1990	Oka	D19/41
D381,421	S	*	7/1997	Casica et al.	D24/128
D407,439	S	*	3/1999	Kossnar et al.	D19/85
7,101,103	B1	*	9/2006	Dietz	401/195

* cited by examiner

Primary Examiner—Elizabeth A. Albert

(74) *Attorney, Agent, or Firm*—Krajec Patent Offices, LLC; Russell S. Krajec

(57) **CLAIM**

The ornamental design for a carpenter's layout marker holder, as shown and described.

DESCRIPTION

FIG. 1 is an isometric view of a carpenter's layout marker holder showing my new design.

FIG. 2 is a front view thereof.

FIG. 3 is a top view thereof.

FIG. 4 is a right side view thereof.

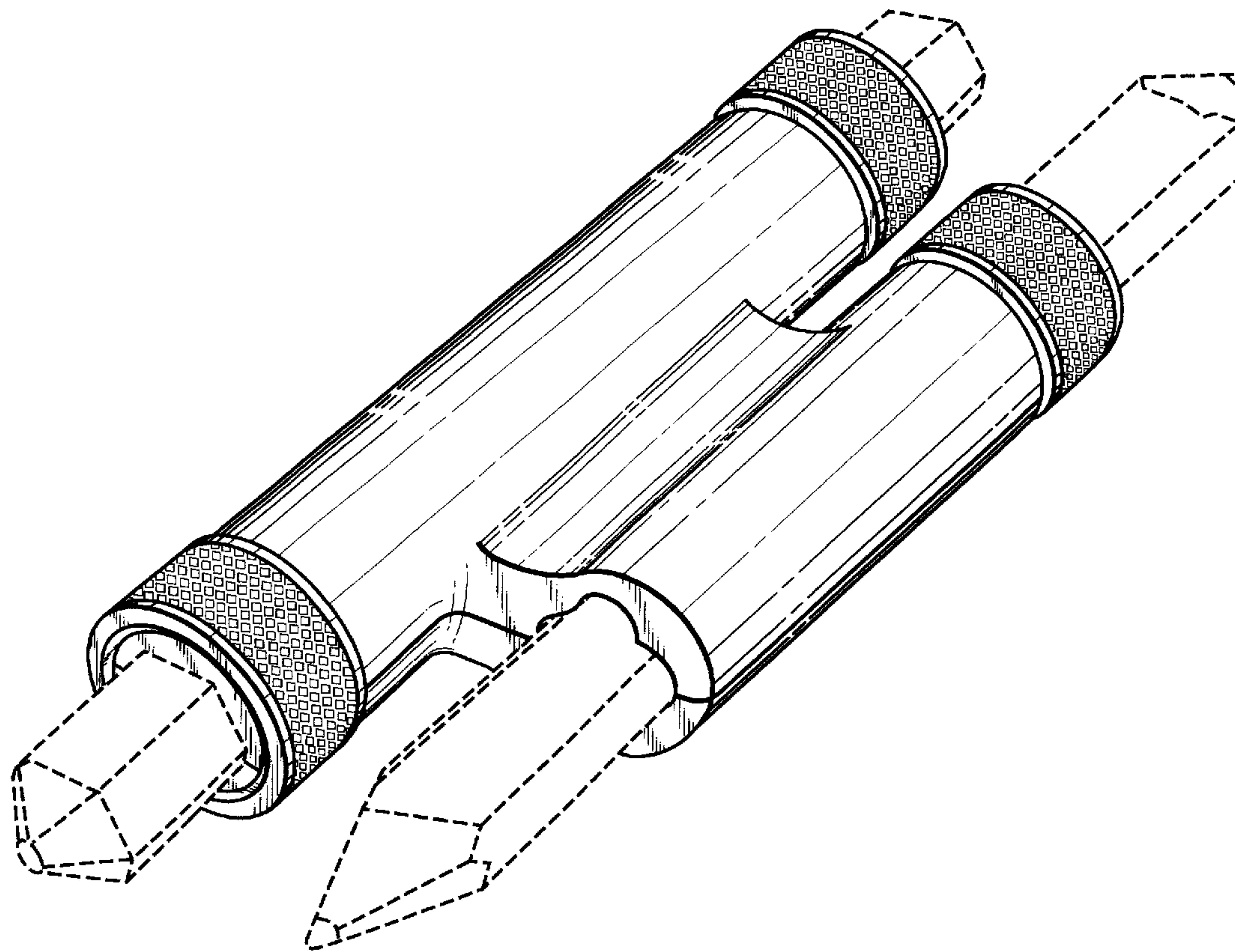
FIG. 5 is a left side view thereof.

FIG. 6 is a bottom view thereof; and,

FIG. 7 is a rear view thereof.

The broken lines showing environment in the drawings are for information purposes only and form no part of the claimed design.

1 Claim, 7 Drawing Sheets



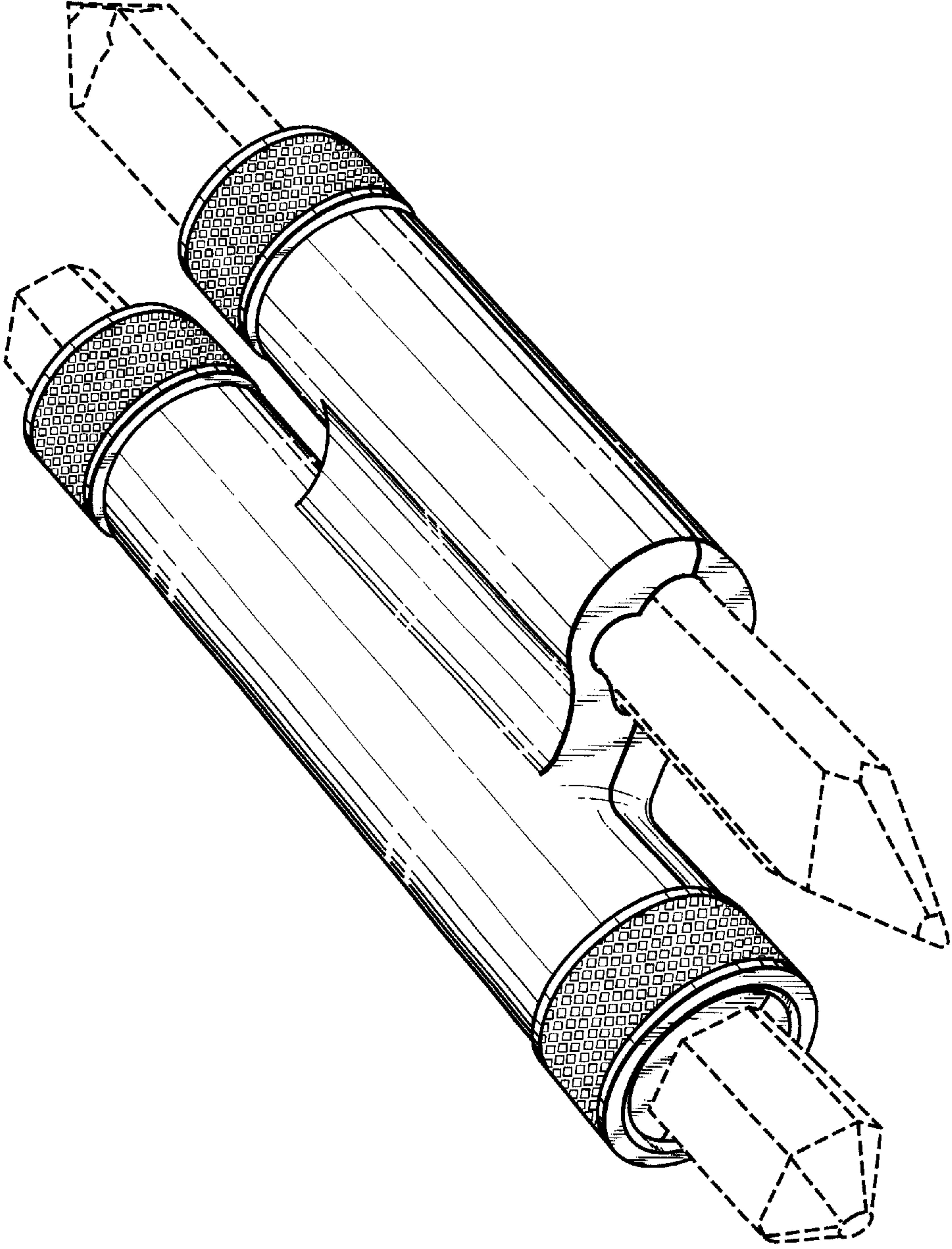


FIG. 1

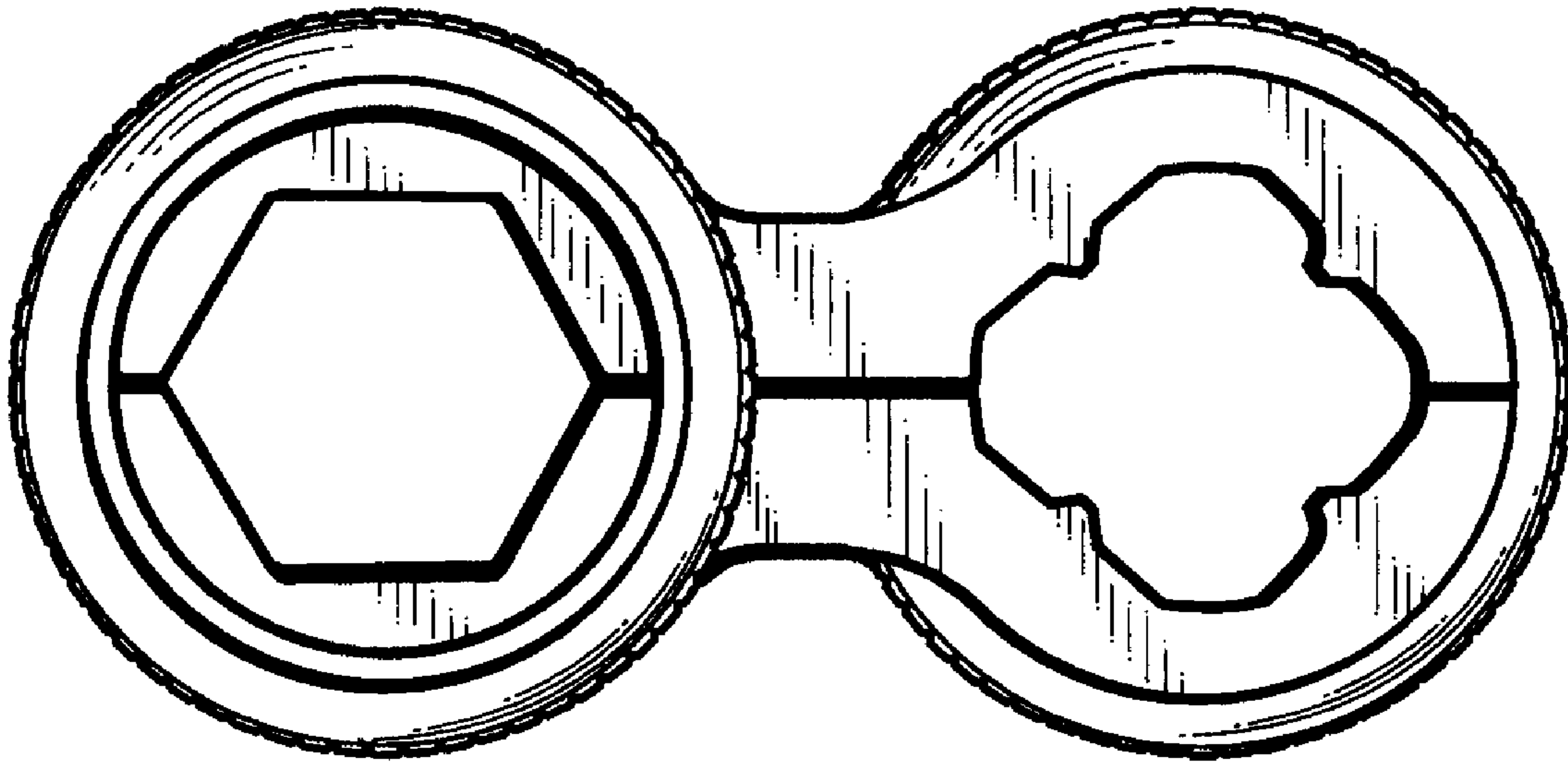


FIG. 2

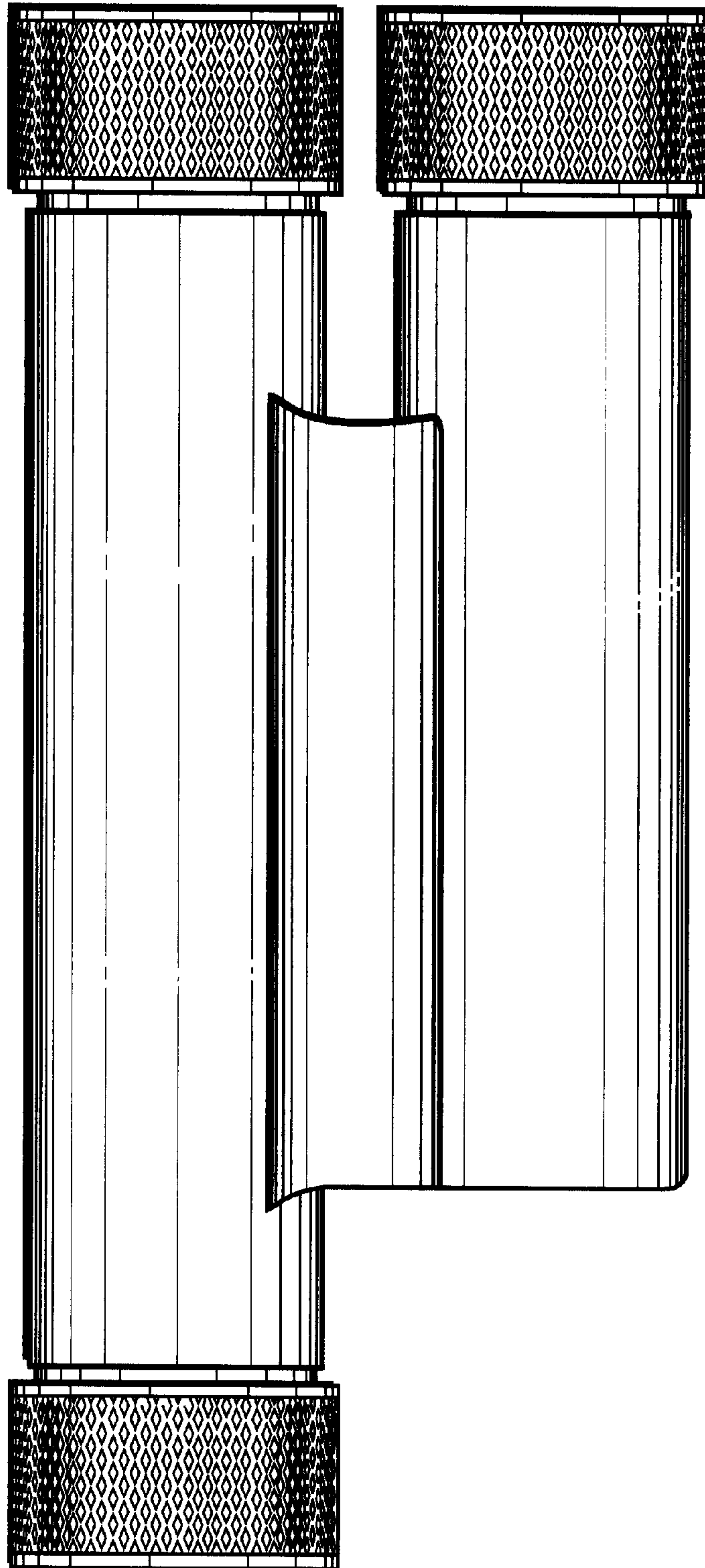


FIG. 3

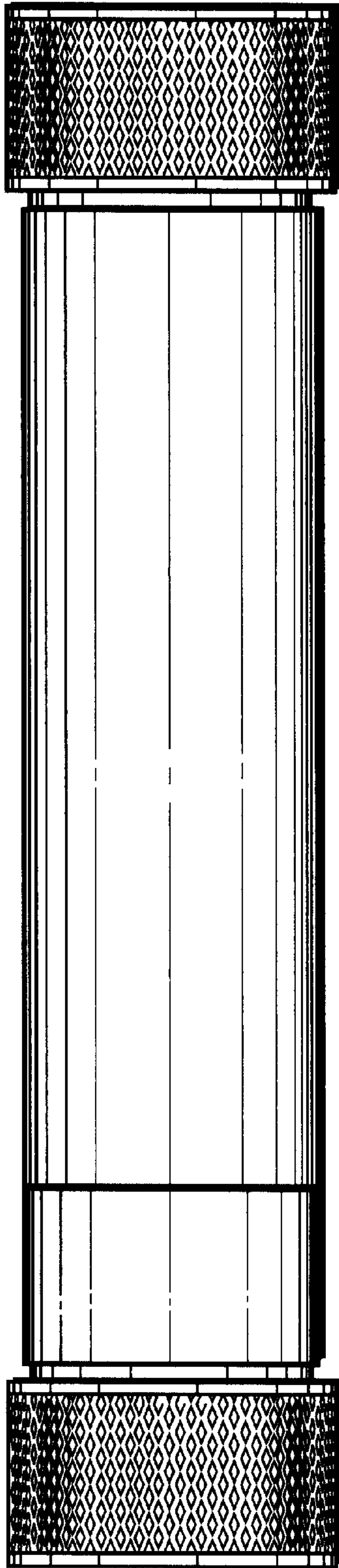


FIG. 4

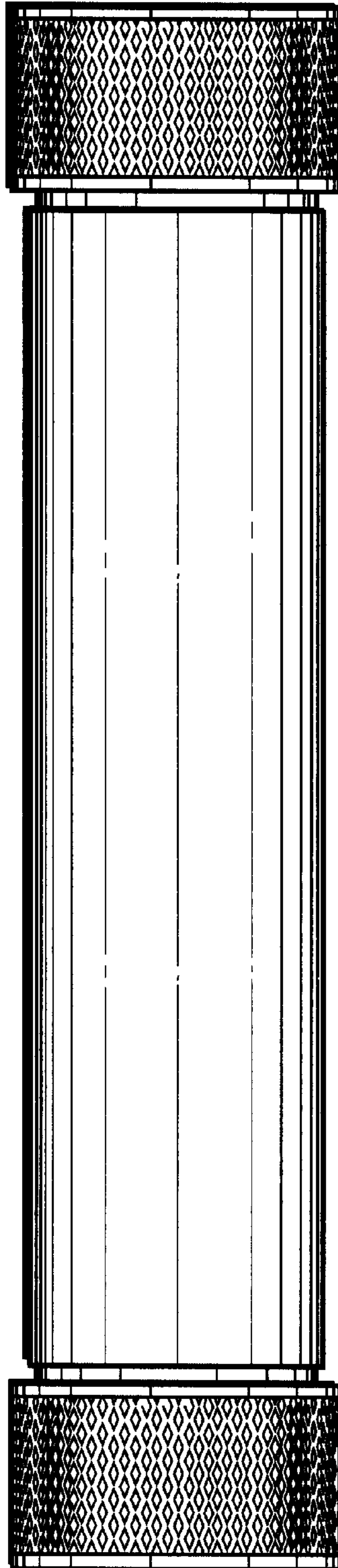


FIG. 5

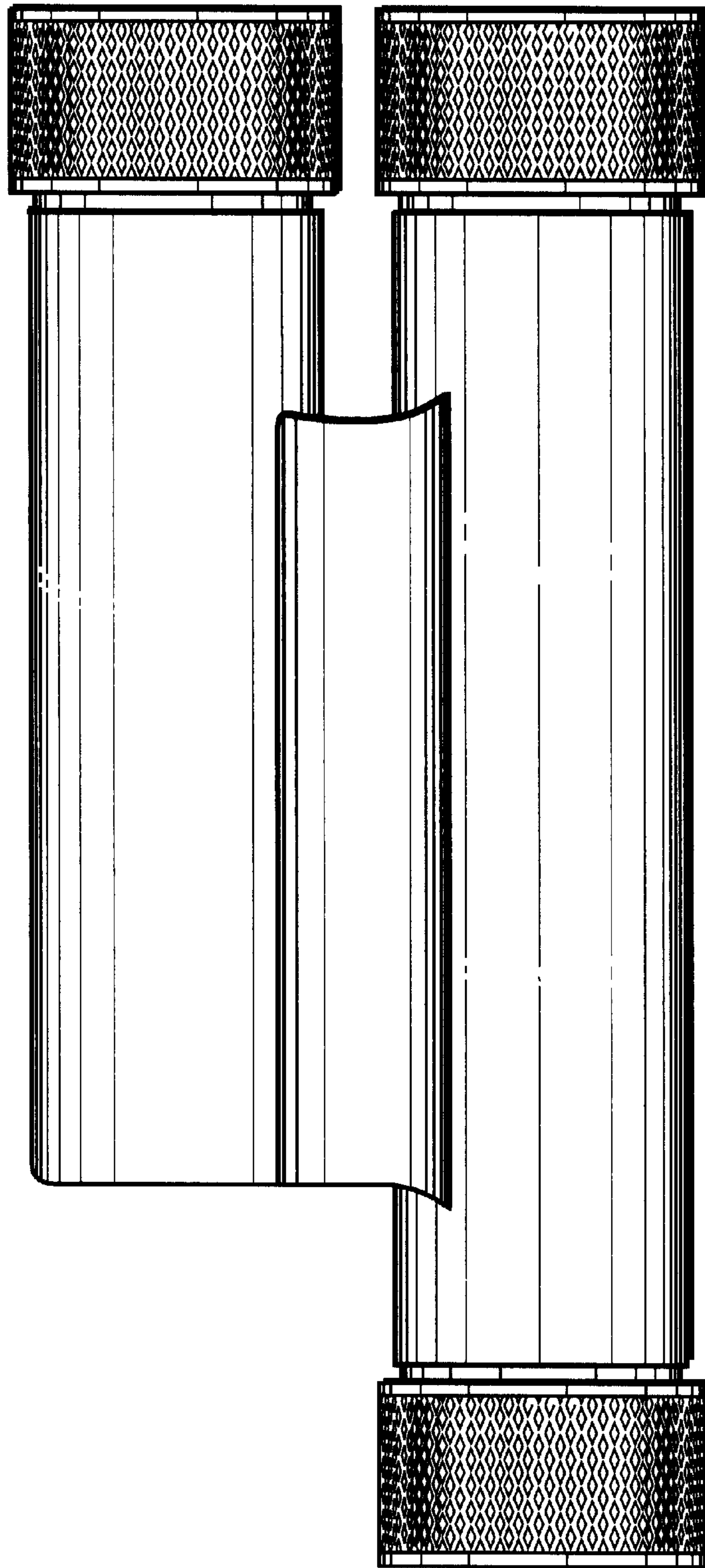


FIG. 6

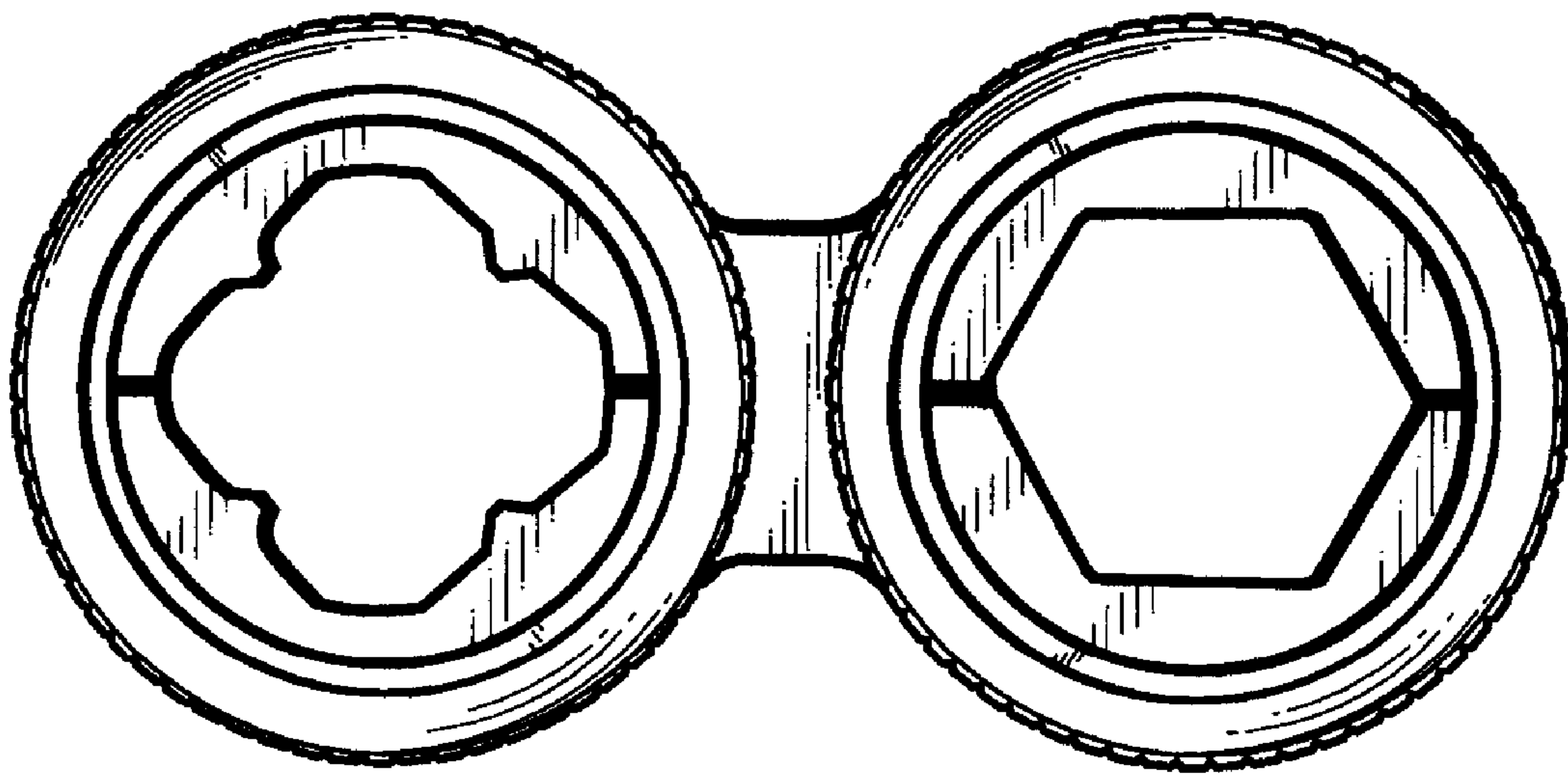


FIG. 7