



US00D539843S

(12) **United States Design Patent**
Baker et al.

(10) **Patent No.:** **US D539,843 S**

(45) **Date of Patent:** **** Apr. 3, 2007**

(54) **BOOK AND GAME BOARD COMBINATION**

D499,772 S * 12/2004 Creech D21/385
D500,095 S * 12/2004 Creech D21/385

(75) Inventors: **Elizabeth Baker**, Brooklyn, NY (US);
Patricia Ann Harris, Nutley, NJ (US)

* cited by examiner

(73) Assignee: **Hachette Book Group USA, Inc.**, New York, NY (US)

Primary Examiner—Sandra L. Morris
(74) *Attorney, Agent, or Firm*—Collard & Roe, P.C.

(**) Term: **14 Years**

(57) **CLAIM**

(21) Appl. No.: **29/235,828**

A book and game board combination, as shown and described.

(22) Filed: **Aug. 4, 2005**

DESCRIPTION

(51) **LOC (8) Cl.** **21-01**

(52) **U.S. Cl.** **D19/26; D21/335; D21/385**

(58) **Field of Classification Search** D21/334,
D21/342–346, 363–367, 385, 392–394; D19/26;
273/236, 240, 282.1–282.2, 285, 148 R,
273/148 A; 281/30, 32; 402/4

See application file for complete search history.

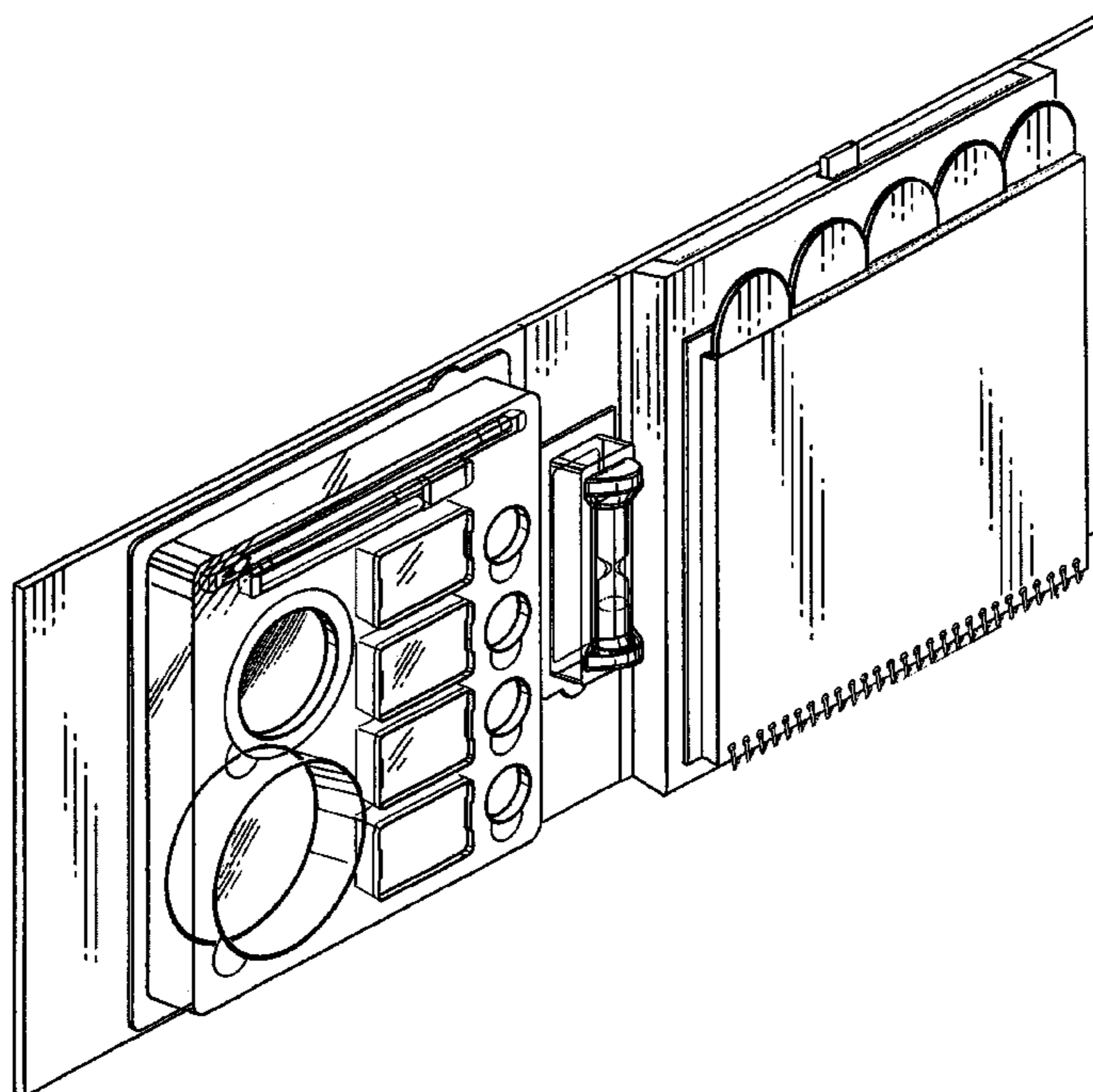
FIG. 1 is a front perspective view of the book and game board combination in an open position;
FIG. 2 is a front view thereof, shown broken away for ease of illustration;
FIG. 3 is a front view of the invention shown in FIG. 1 in a closed position;
FIG. 4 is a back view of the invention shown in FIG. 3;
FIG. 5 is the left side view of the invention shown in FIG. 3;
FIG. 6 is the right side view of the invention shown in FIG. 3;
FIG. 7 is the top view of the invention as shown in FIG. 3;
FIG. 8 is the bottom view of the invention as shown in FIG. 3;
FIG. 9 is the exploded view of the invention as shown in FIG. 1 with the arrows being unclaimed material; and,
FIG. 10 is a front view of a second embodiment thereof, shown broken away for ease of illustration.

(56) **References Cited**

U.S. PATENT DOCUMENTS

1,567,643	A	*	12/1925	Hearne	402/4
1,659,588	A	*	2/1928	Balmforth	273/148 A
2,223,560	A	*	12/1940	Walther	402/4
D214,800	S	*	7/1969	King	D21/334
D324,243	S	*	2/1992	Meggison	D21/334
5,190,127	A	*	3/1993	Cummings	402/4
D385,310	S	*	10/1997	Heitmann	D21/393
6,189,932	B1		2/2001	Kaufman		
D468,349	S	*	1/2003	Scott et al.	D19/26
D469,801	S	*	2/2003	Scott et al.	D19/26

1 Claim, 10 Drawing Sheets



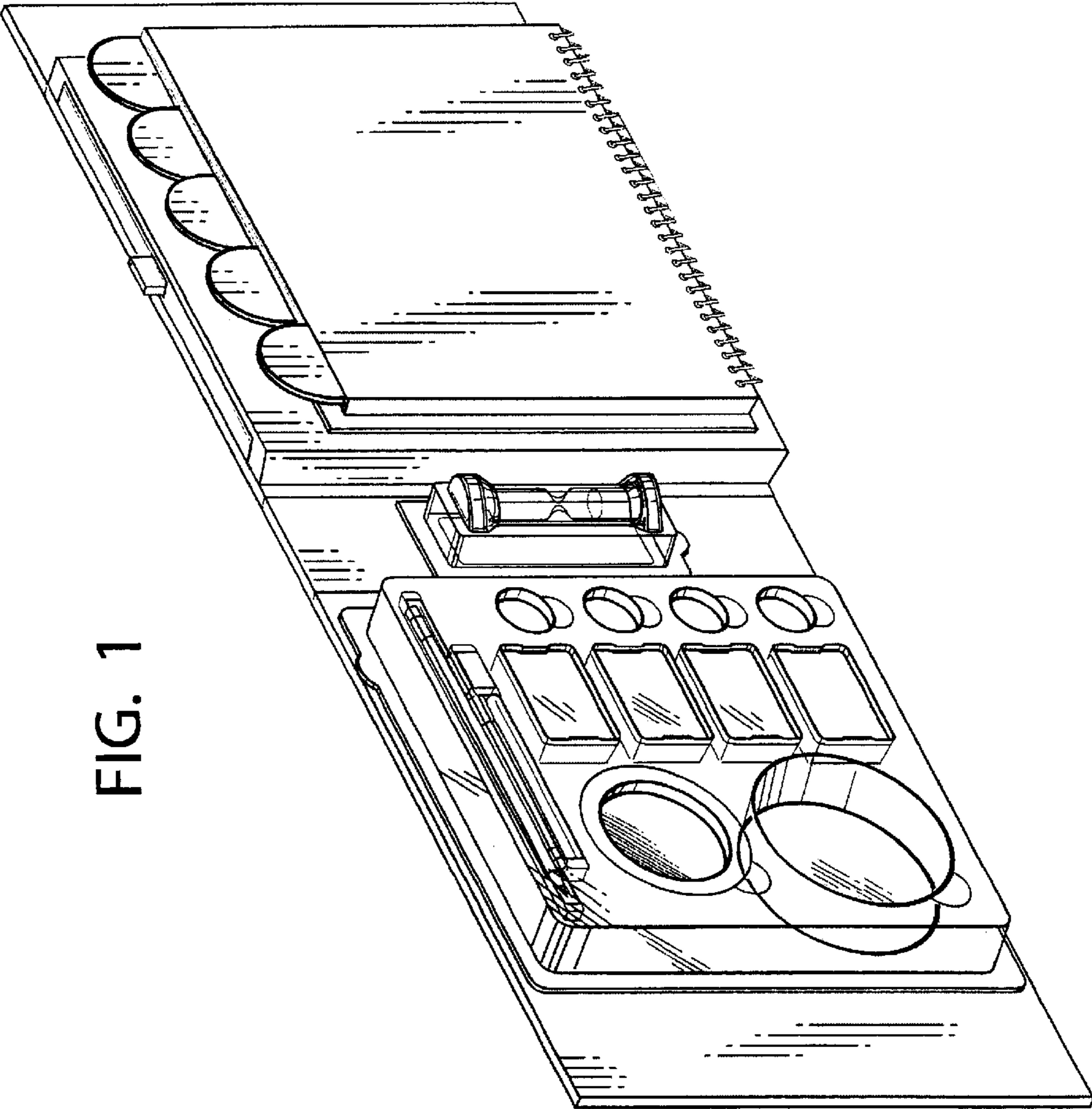


FIG. 1

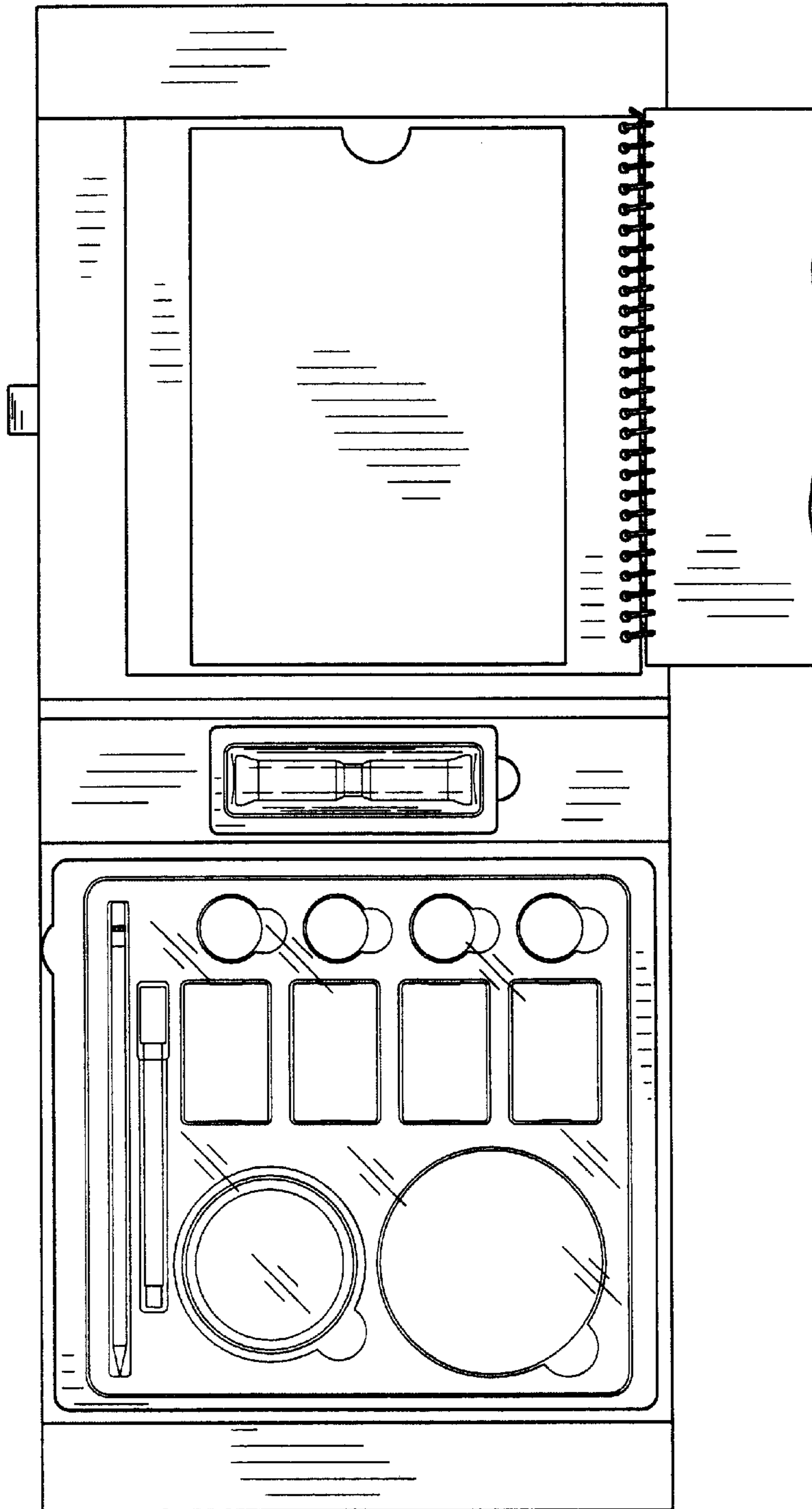


FIG. 2

FIG. 3

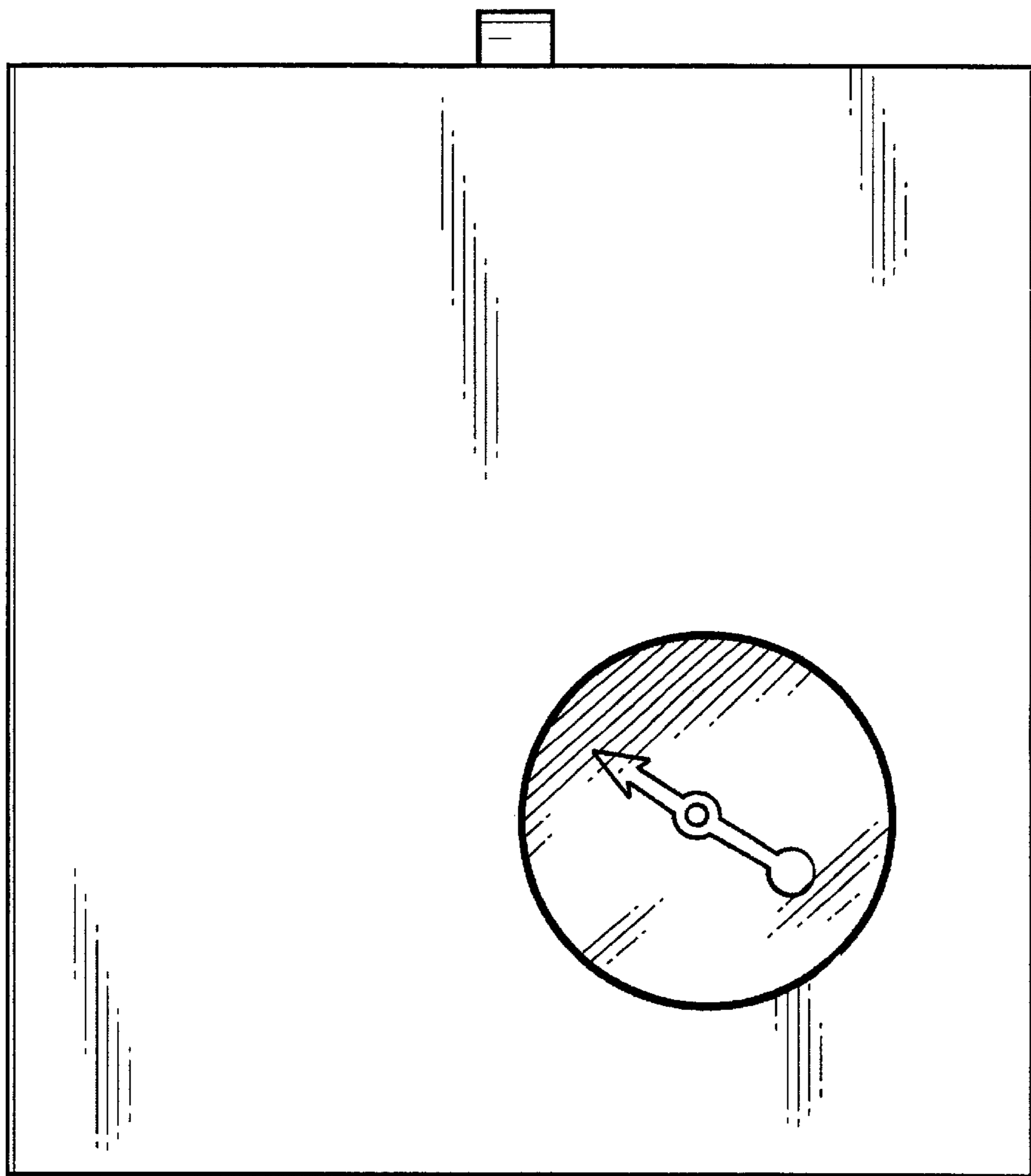


FIG. 4

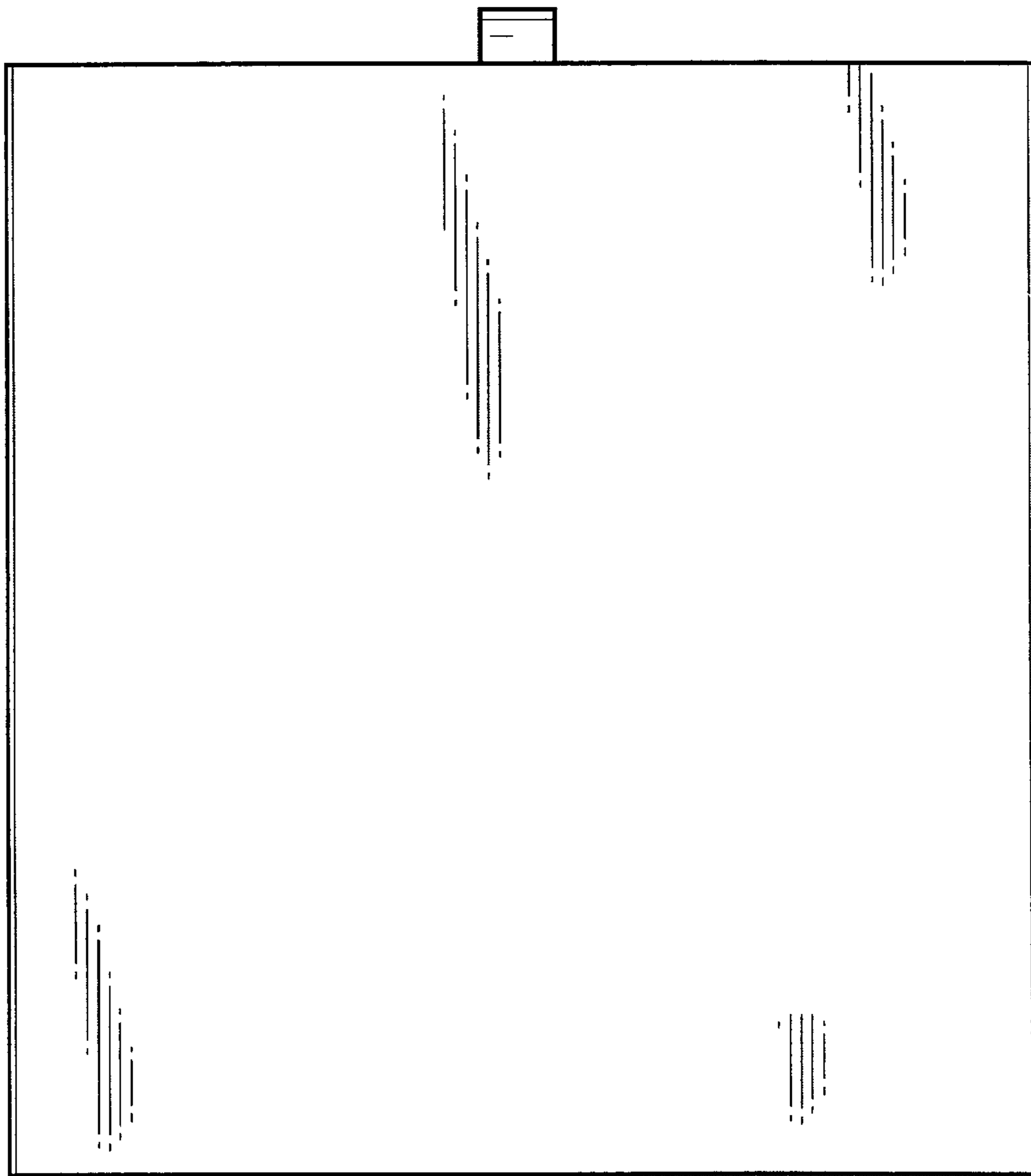


FIG. 5

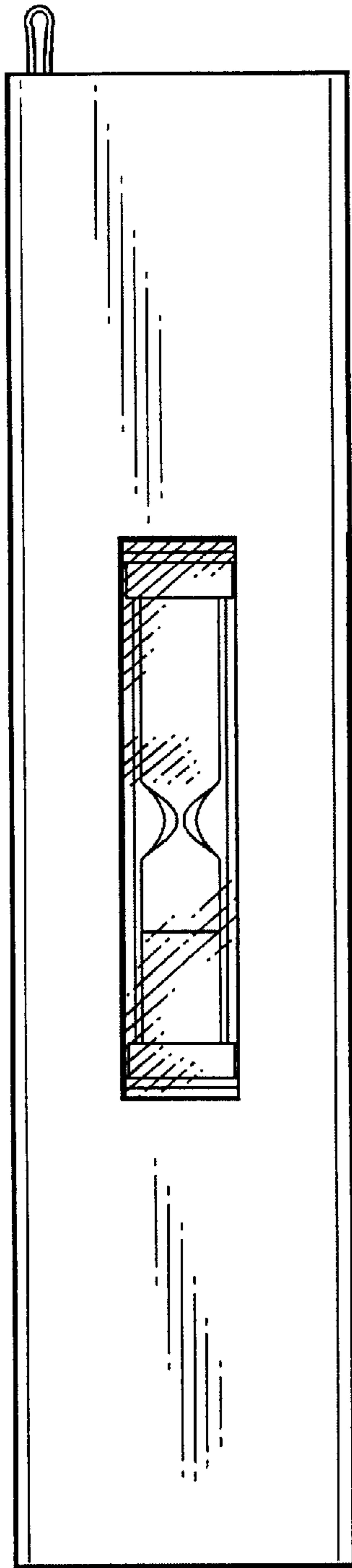


FIG. 6

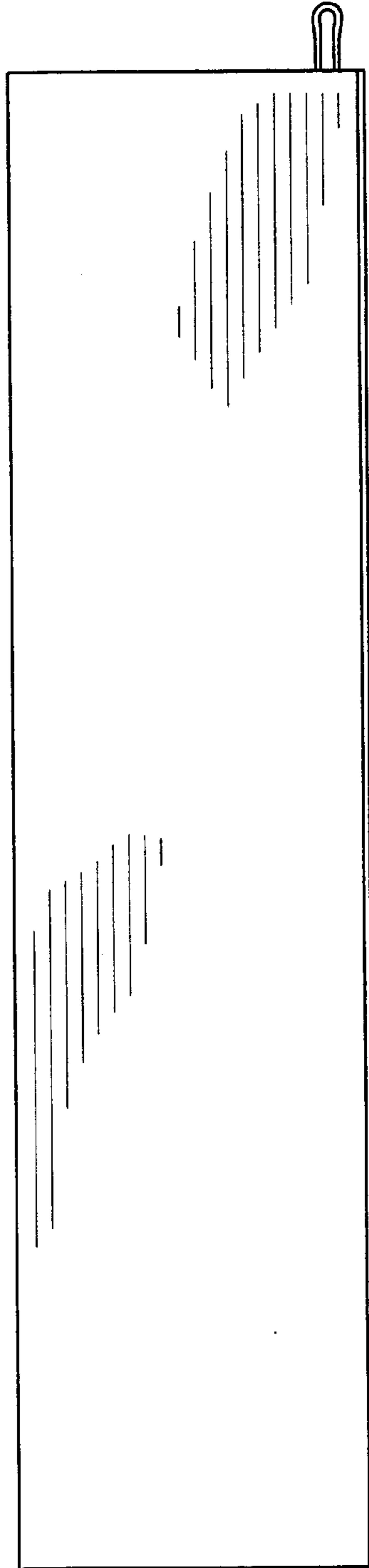


FIG. 7

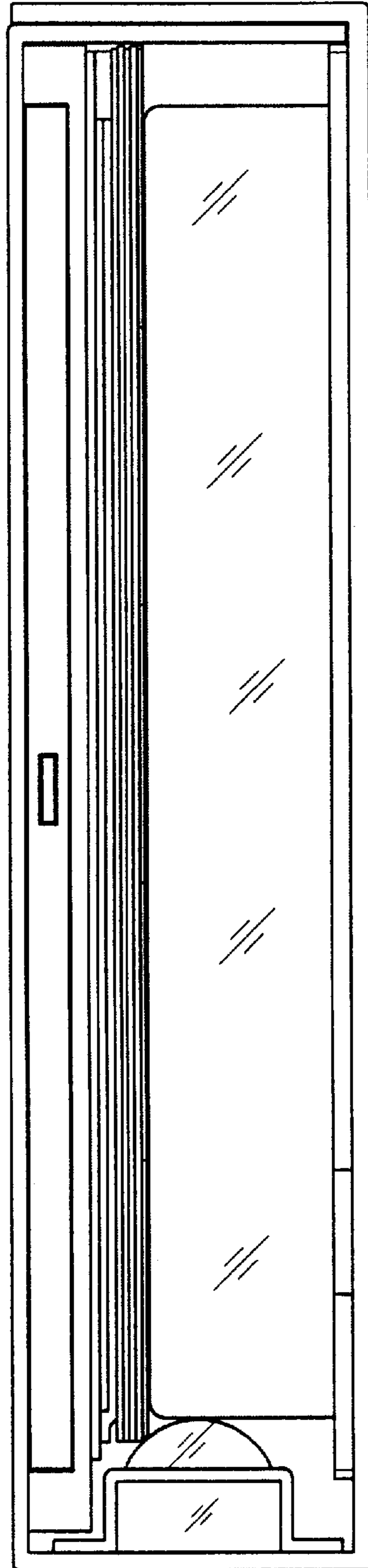


FIG. 8

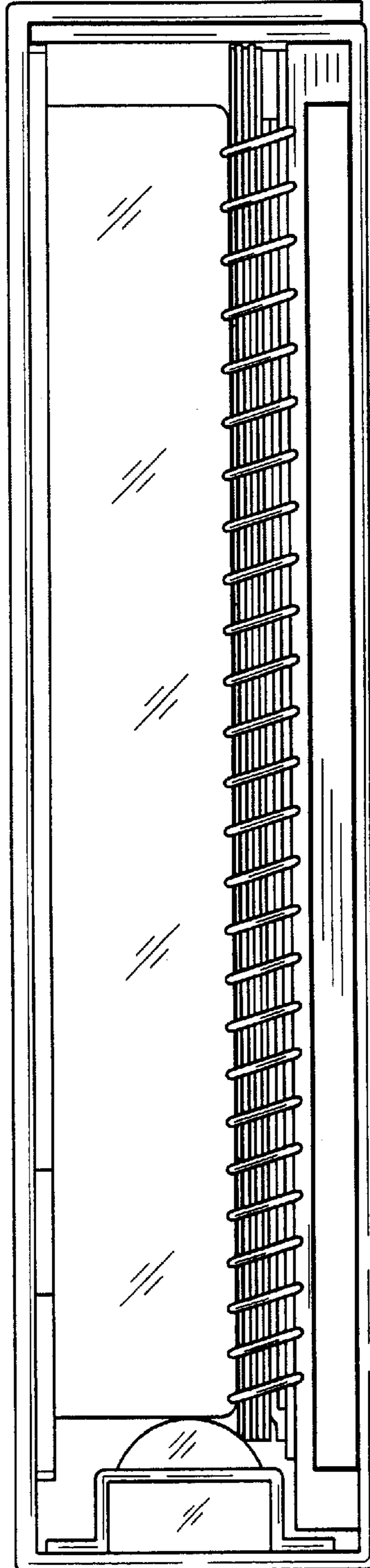
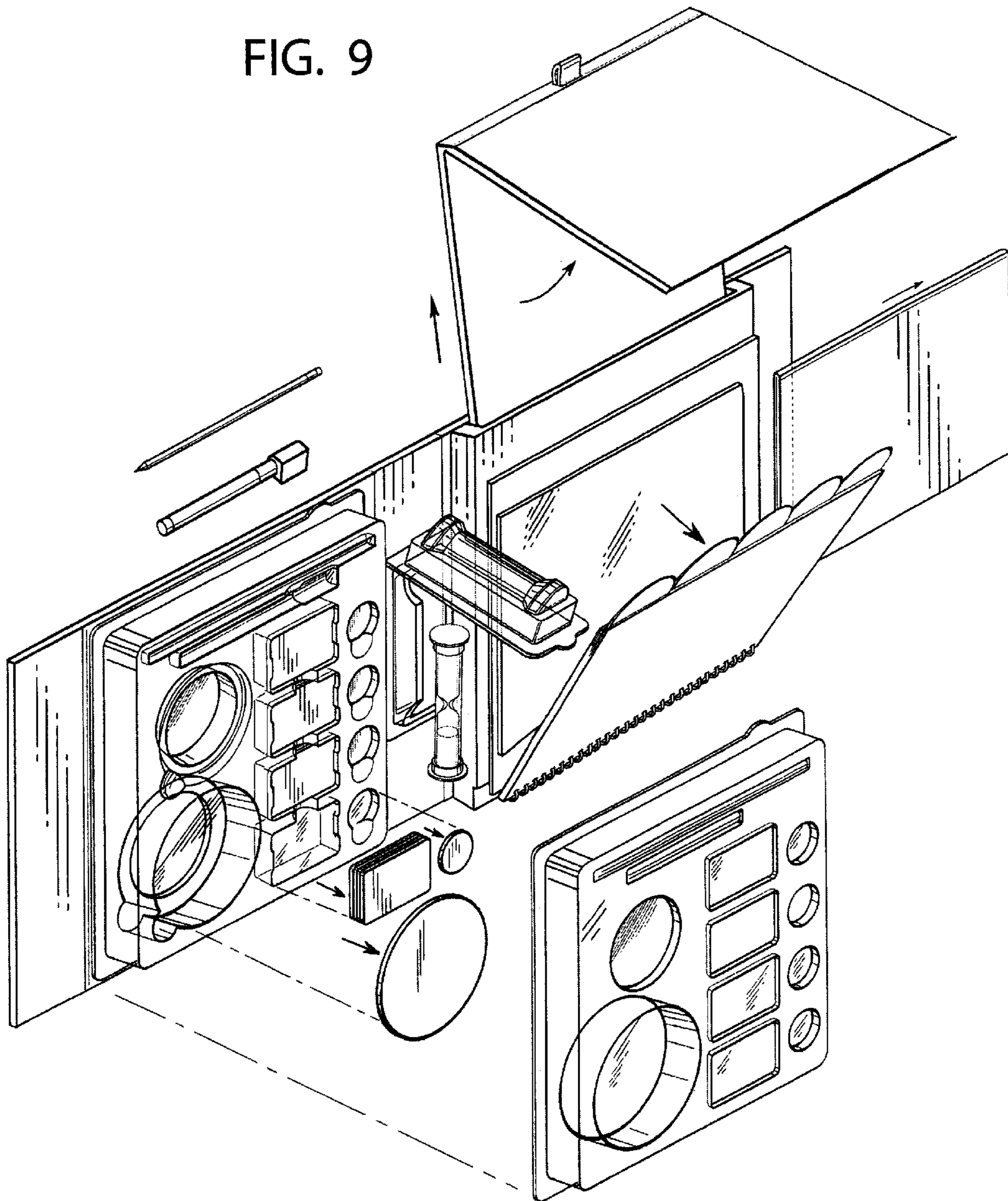


FIG. 9



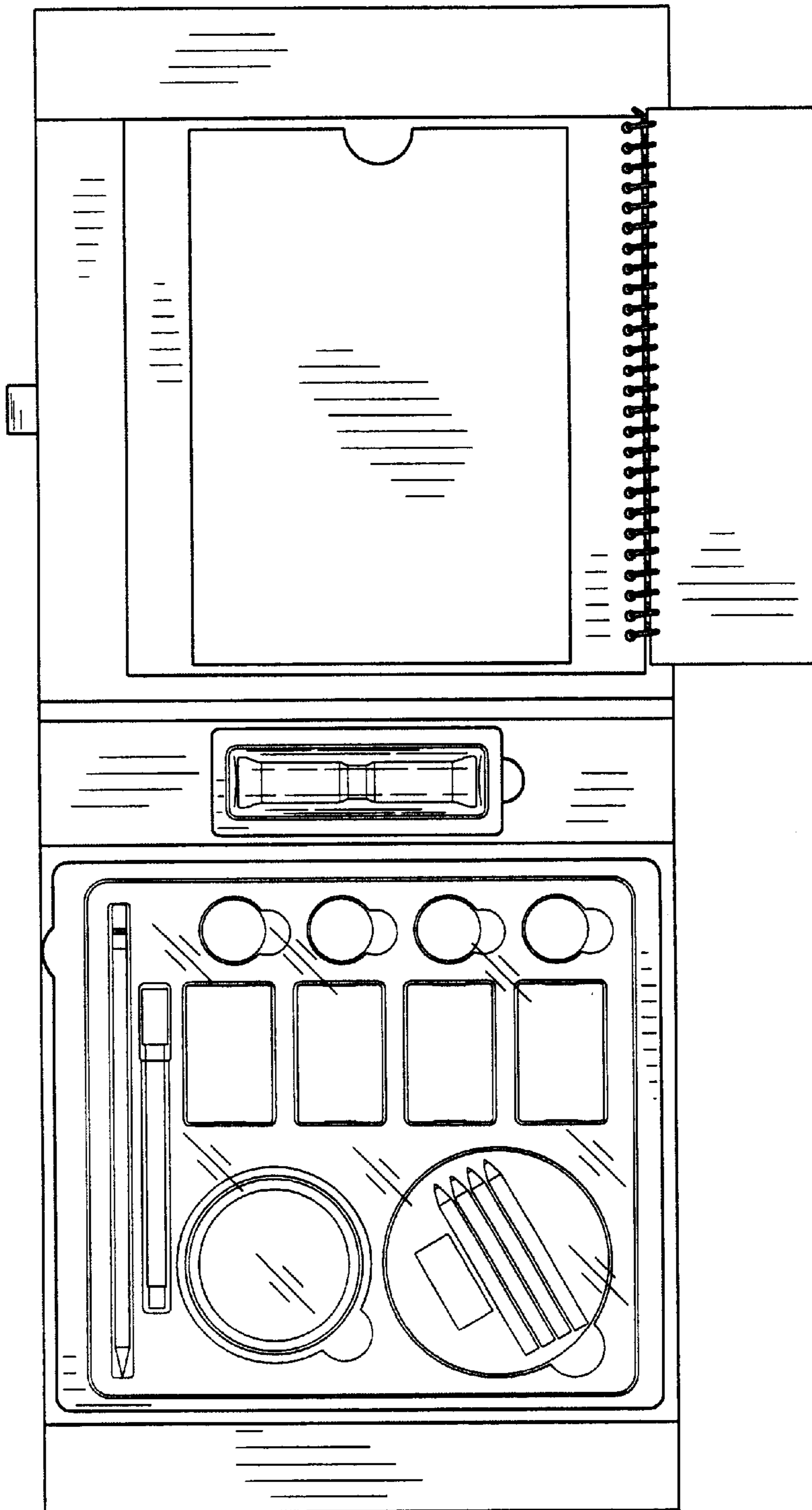


FIG. 10