



US00D539842S

(12) **United States Design Patent**  
**Minami et al.**

(10) **Patent No.:** **US D539,842 S**

(45) **Date of Patent:** **\*\* Apr. 3, 2007**

(54) **INK RIBBON CASSETTE FOR VIDEO PRINTER**

(75) Inventors: **Yasuhiro Minami**, Fukuoka (JP);  
**Junichi Tanizaki**, Fukuoka (JP);  
**Yoshihiro Mizoguchi**, Fukuoka (JP)

(73) Assignee: **Matsushita Electric Industrial Co., Ltd.**, Osaka (JP)

(\*\*) Term: **14 Years**

(21) Appl. No.: **29/266,008**

(22) Filed: **Sep. 13, 2006**

(51) **LOC (8) Cl.** ..... **18-02**

(52) **U.S. Cl.** ..... **D18/56**

(58) **Field of Classification Search** ..... D18/12,  
D18/40, 43, 56; D14/471, 481, 483; 347/178,  
347/214; 399/110; 400/193, 196, 196.1, 207-208,  
400/208.1, 240.4, 242, 613  
See application file for complete search history.

(56) **References Cited**

**U.S. PATENT DOCUMENTS**

D266,570 S	10/1982	Mori	
D318,065 S	7/1991	Kamoda	
D327,495 S	6/1992	Nagai	
D331,771 S	12/1992	Yoshihara	
D332,275 S	1/1993	Katsuno	
D334,021 S	3/1993	Nagai et al.	
D334,209 S	3/1993	Katsuno	
D334,585 S	4/1993	Okauchi	
D356,819 S	3/1995	Stempien	
D361,592 S	8/1995	Niwano	
D367,885 S	3/1996	Ikenaga	
5,584,587 A	* 12/1996	Koike et al. ....	400/207
D383,743 S	9/1997	Suwa et al.	
D397,142 S	8/1998	Hammill et al.	
D418,860 S	1/2000	Shimoyama et al.	
D420,696 S	2/2000	Yung et al.	
D422,623 S	4/2000	Fukuoka	
D425,545 S	5/2000	Ishida	
D432,561 S	10/2000	Shimamura et al.	

D442,211 S	5/2001	Hayashi et al.	
D446,239 S	* 8/2001	Funaki .....	D18/12
D453,179 S	1/2002	Neri et al.	
D453,180 S	1/2002	Matsumoto et al.	
D454,151 S	3/2002	Neri et al.	
D458,295 S	6/2002	Neri et al.	
D458,956 S	6/2002	Neri et al.	
D464,670 S	10/2002	Du	
D480,749 S	10/2003	Milton et al.	
D504,907 S	5/2005	Neri	

(Continued)

*Primary Examiner*—Cathy Anne MacCormac

(74) *Attorney, Agent, or Firm*—Brinks Hofer Gilson & Lione

(57) **CLAIM**

We claim the ornamental design for an ink ribbon cassette for video printer, as shown and described.

**DESCRIPTION**

FIG. 1 is a perspective view taken from the top, front and side of an ink ribbon cassette for video printer of the present invention;

FIG. 2 is a front view thereof;

FIG. 3 is a top view thereof;

FIG. 4 is a bottom view thereof;

FIG. 5 is a side view thereof;

FIG. 6 is a an opposite side view thereof;

FIG. 7 is a rear view thereof;

FIG. 8 is a perspective view thereof taken from the bottom, front and opposite side;

FIG. 9 is a perspective view taken from the top, front and side of a second embodiment of FIG. 1;

FIG. 10 is a front view of FIG. 9;

FIG. 11 is a top view of FIG. 9;

FIG. 12 is a bottom view of FIG. 9;

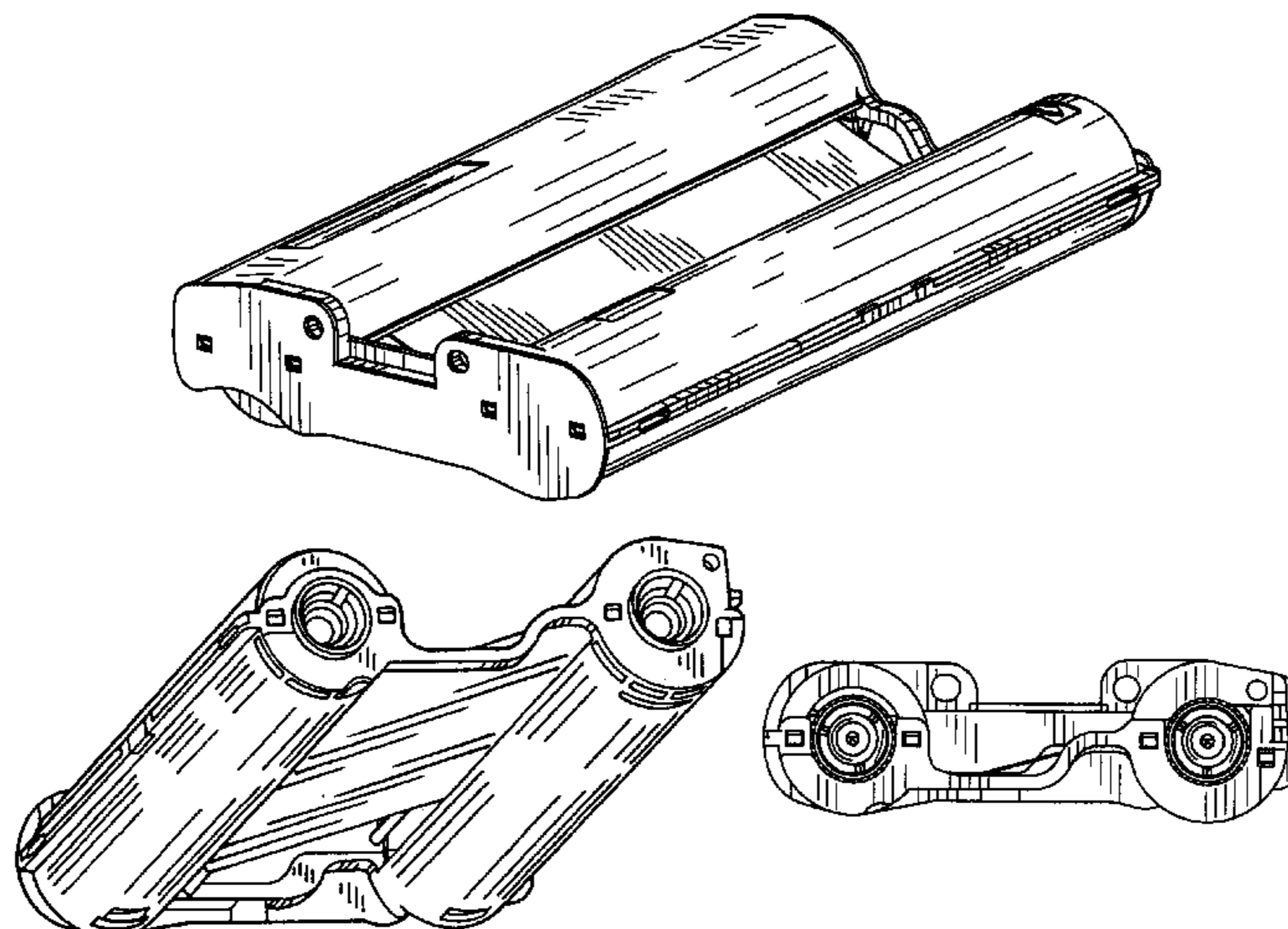
FIG. 13 is a side view of FIG. 9;

FIG. 14 is a an opposite side view of FIG. 9;

FIG. 15 is a rear view of FIG. 9; and,

FIG. 16 is a perspective view of FIG. 9 taken from the bottom, front and opposite side.

**1 Claim, 8 Drawing Sheets**



# US D539,842 S

Page 2

---

## U.S. PATENT DOCUMENTS

D505,445 S	5/2005	Neri	D523,891 S	6/2006	Tu	
D514,153 S	1/2006	Tu	D527,761 S *	9/2006	Neri .....	D18/12
D523,062 S	6/2006	Tu	2005/0052523 A1 *	3/2005	Kaida et al. ....	347/214
D523,063 S	6/2006	Tu	2005/0201806 A1 *	9/2005	Yamamoto .....	400/208

\* cited by examiner

FIG.1

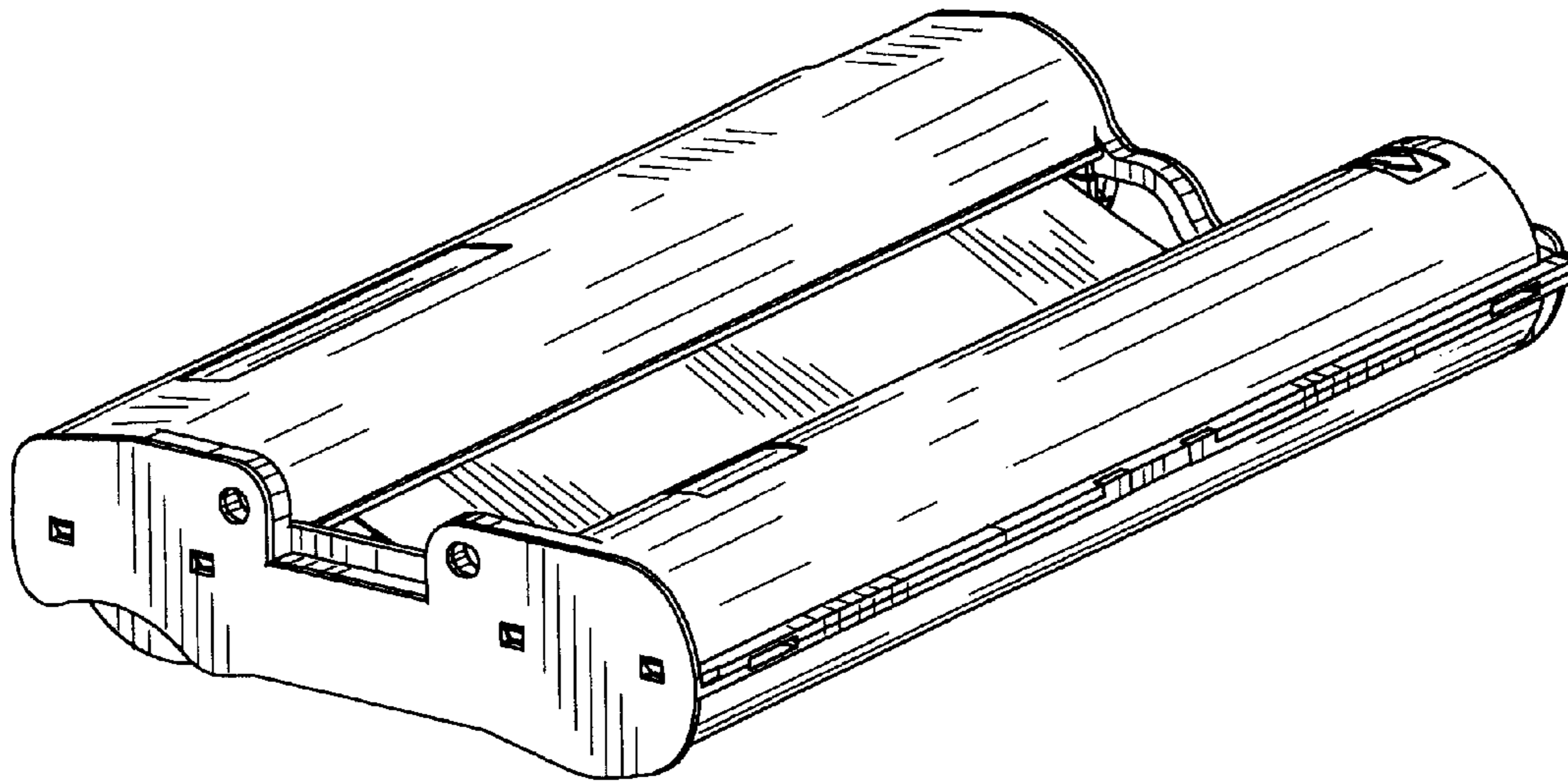


FIG.2

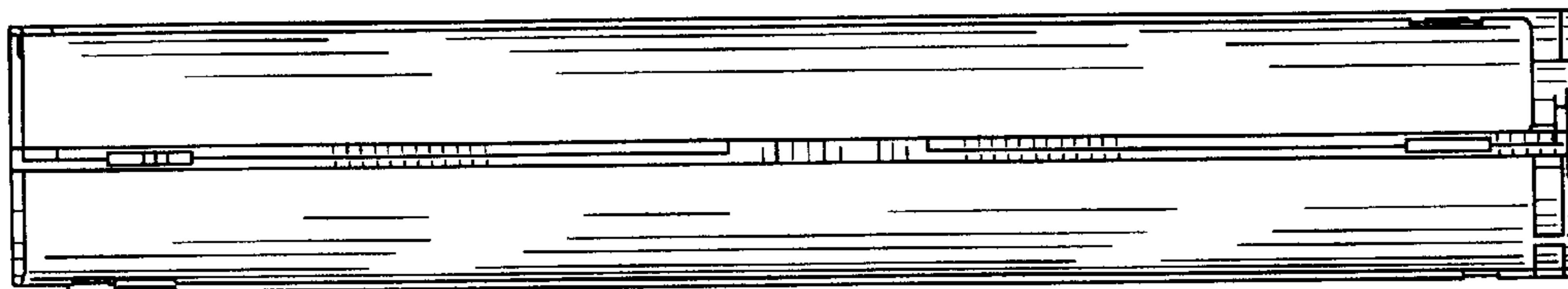


FIG.3

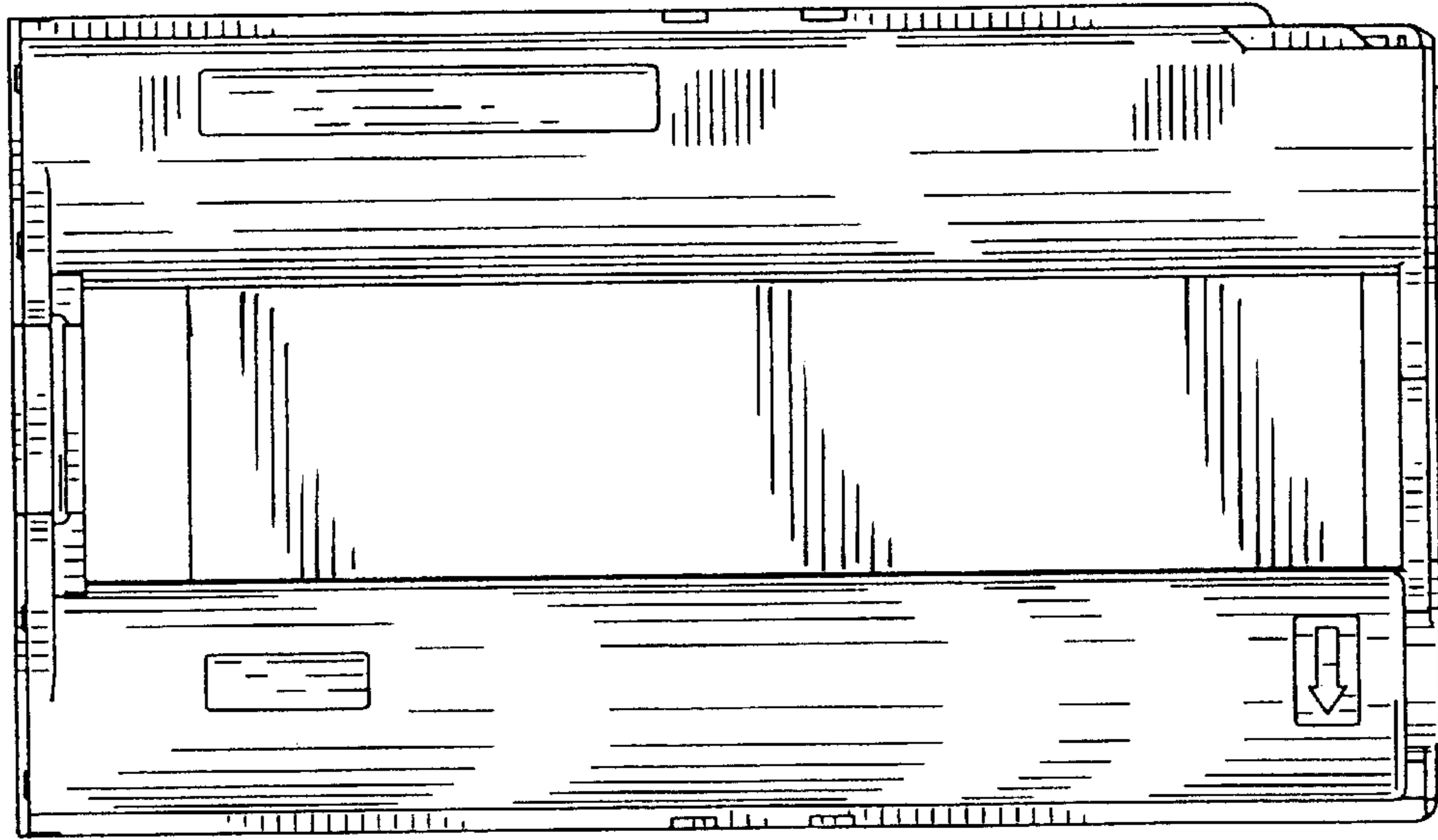


FIG.4

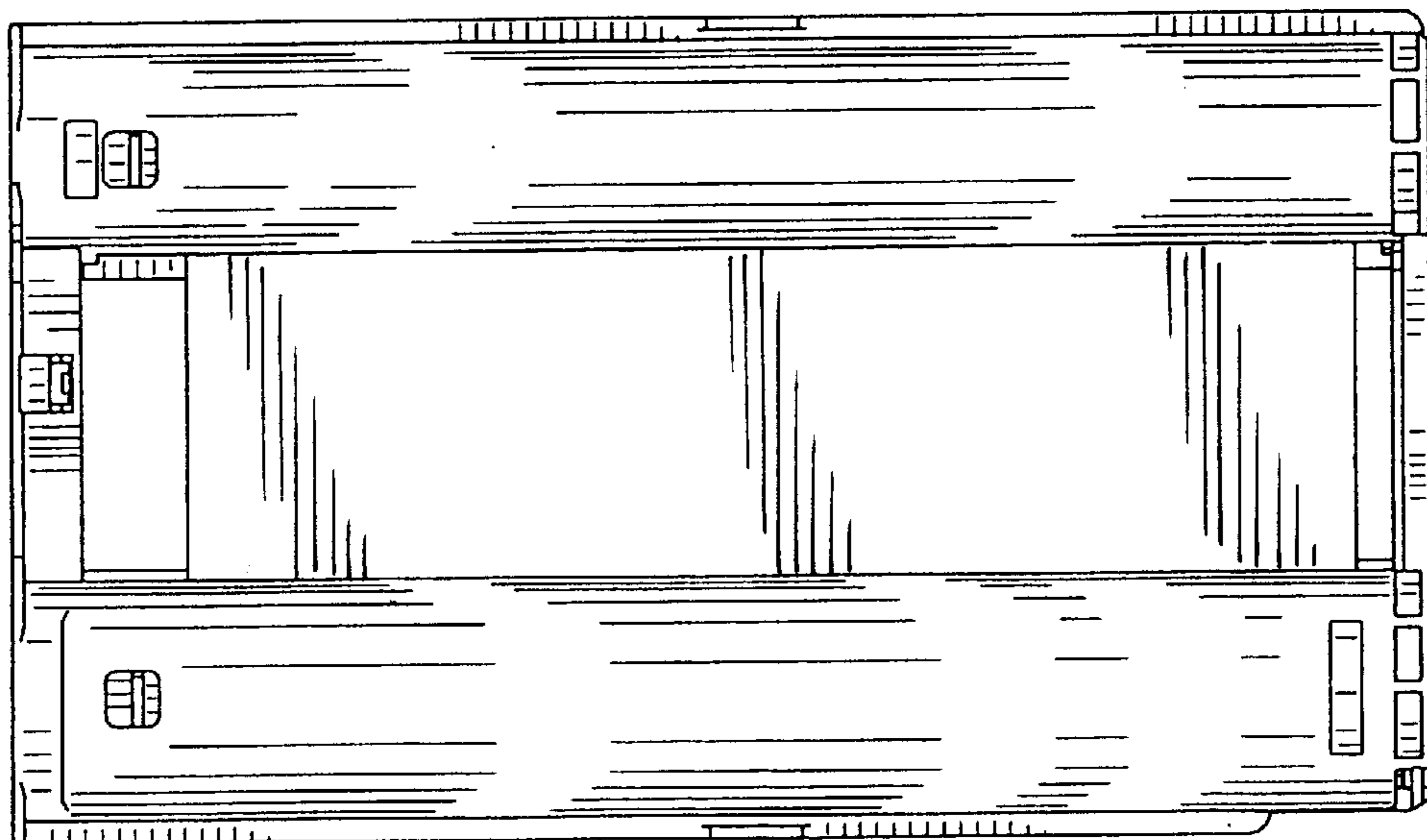


FIG.5

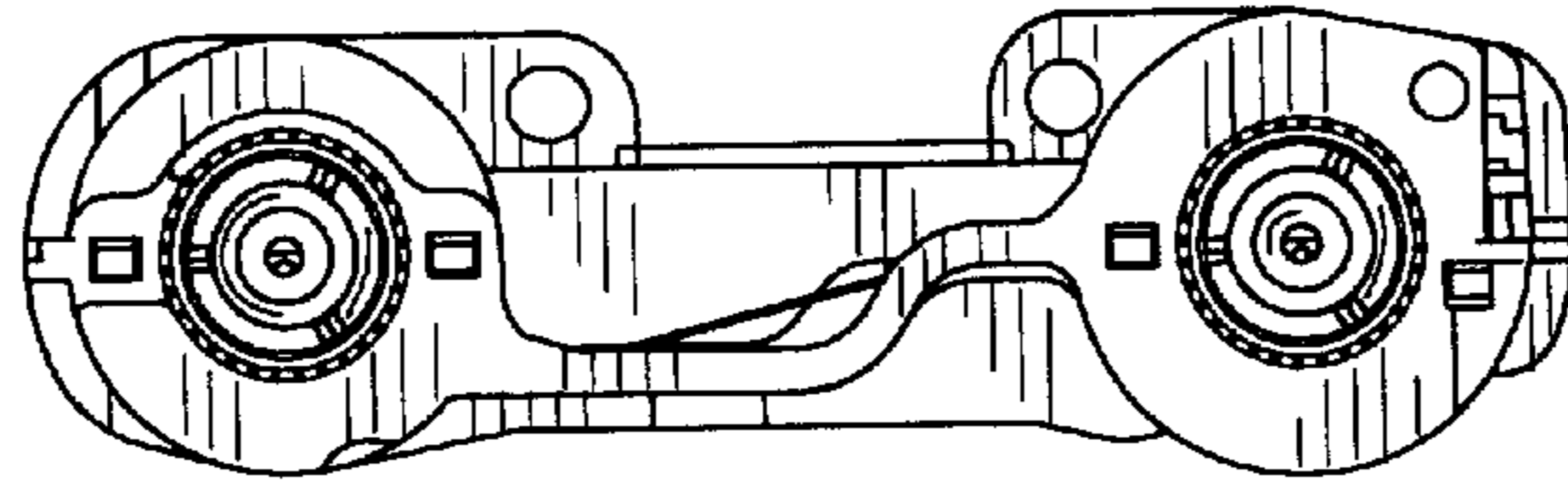


FIG.6

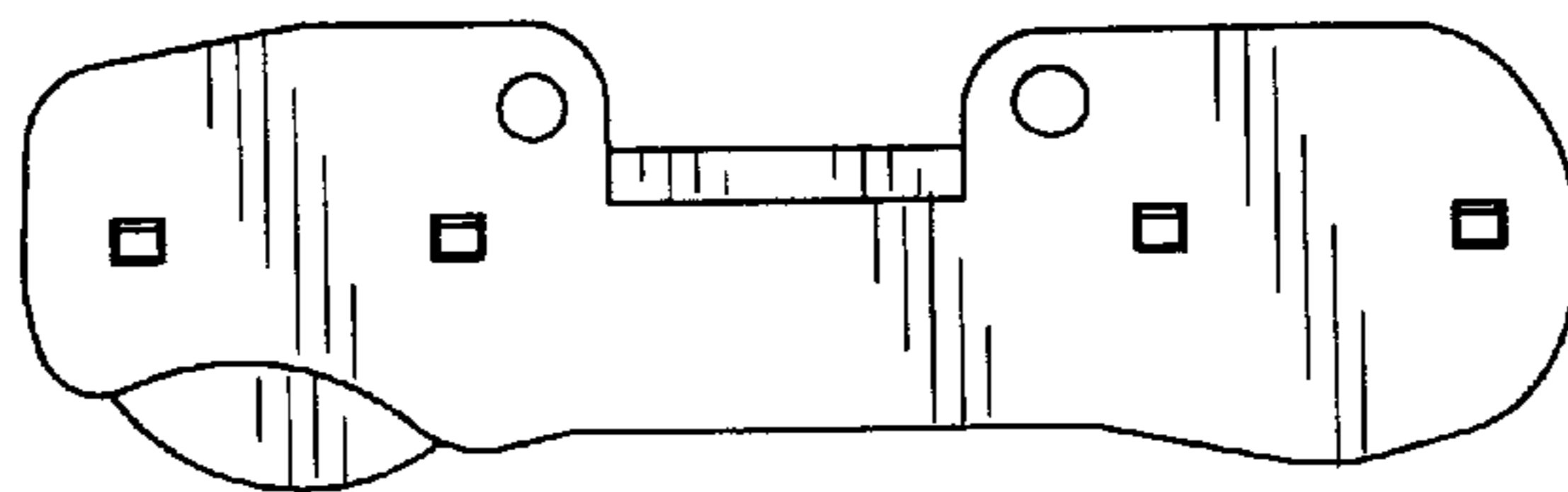
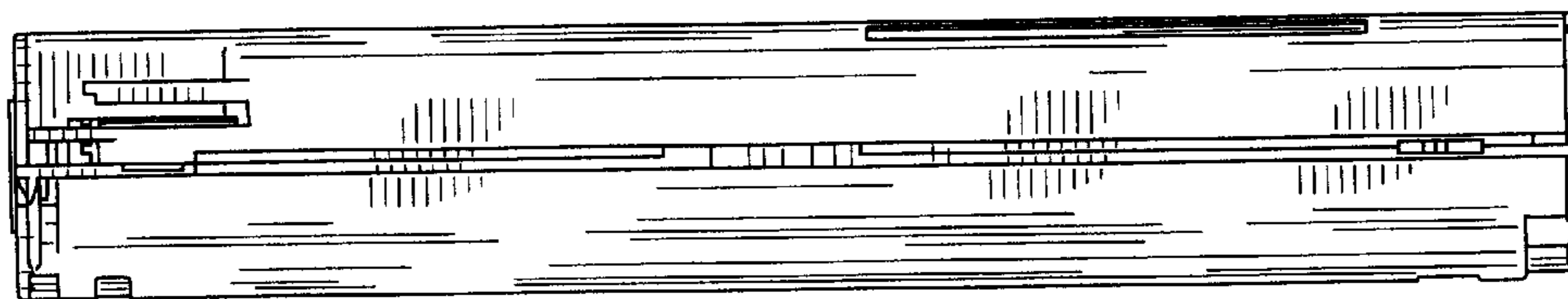


FIG.7



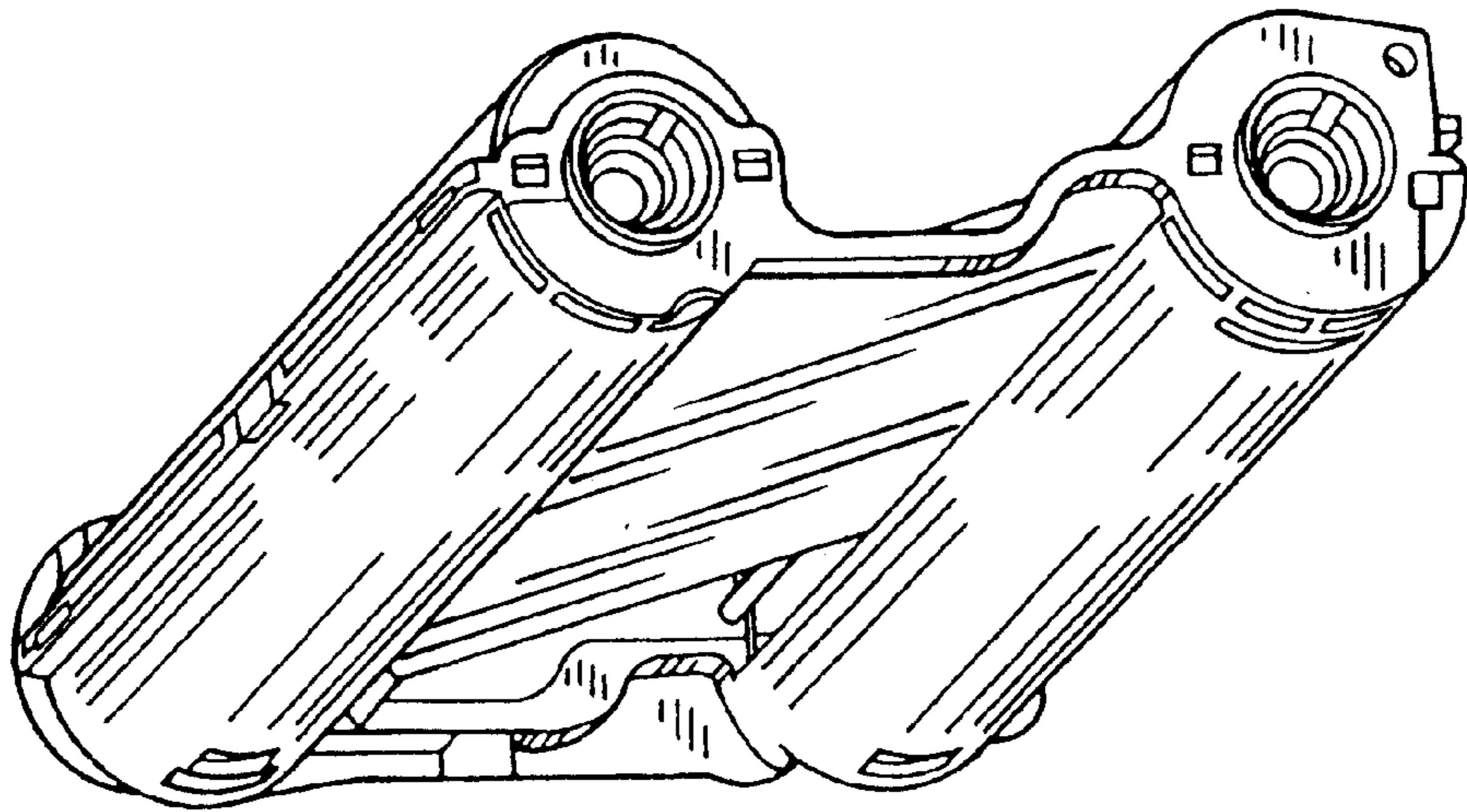


FIG. 8

FIG.9

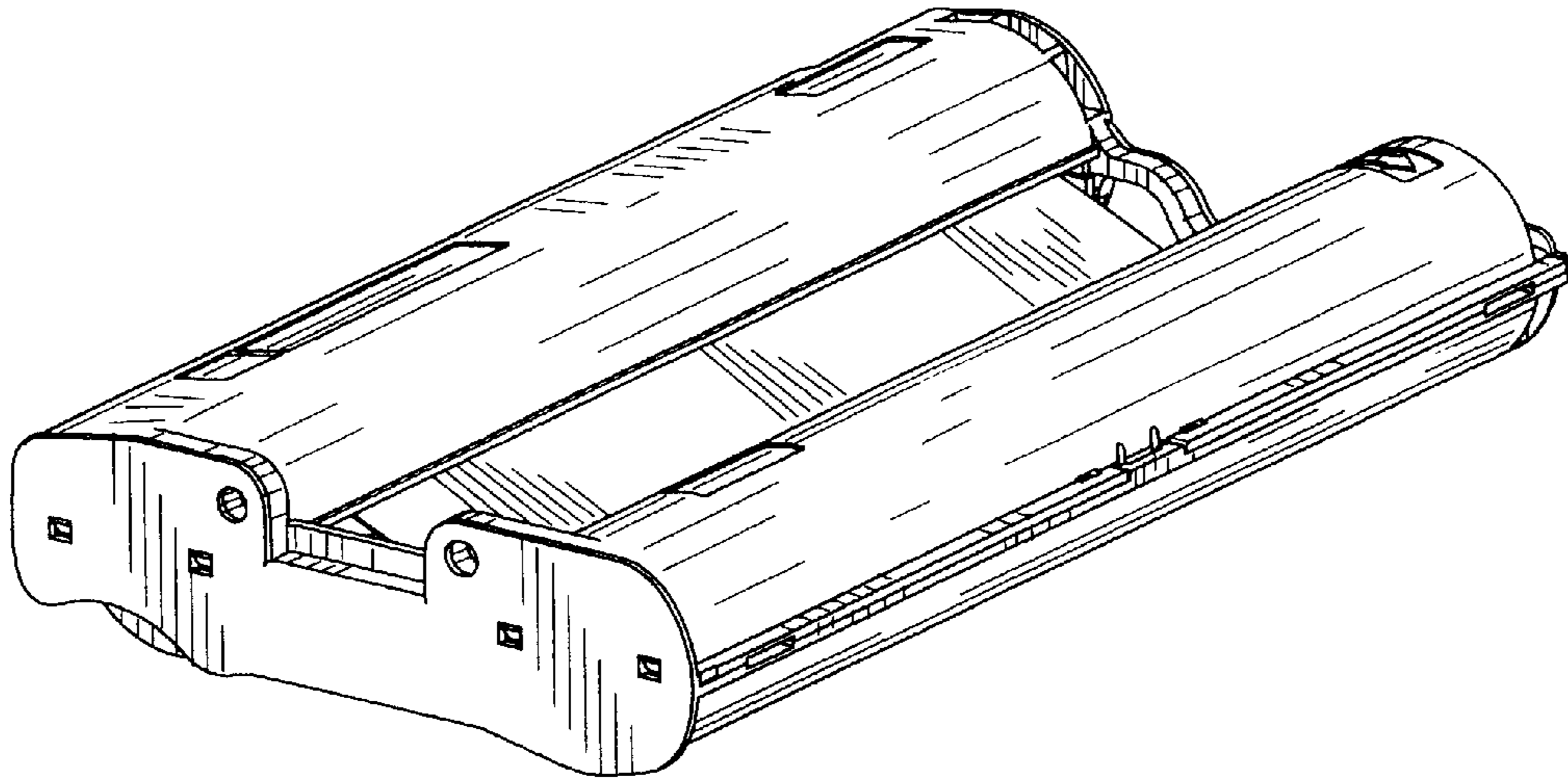


FIG.10

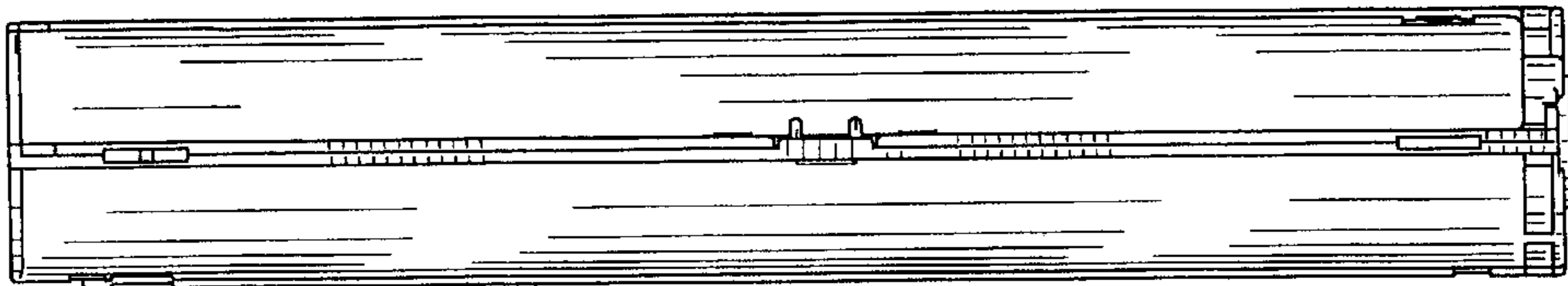


FIG.11

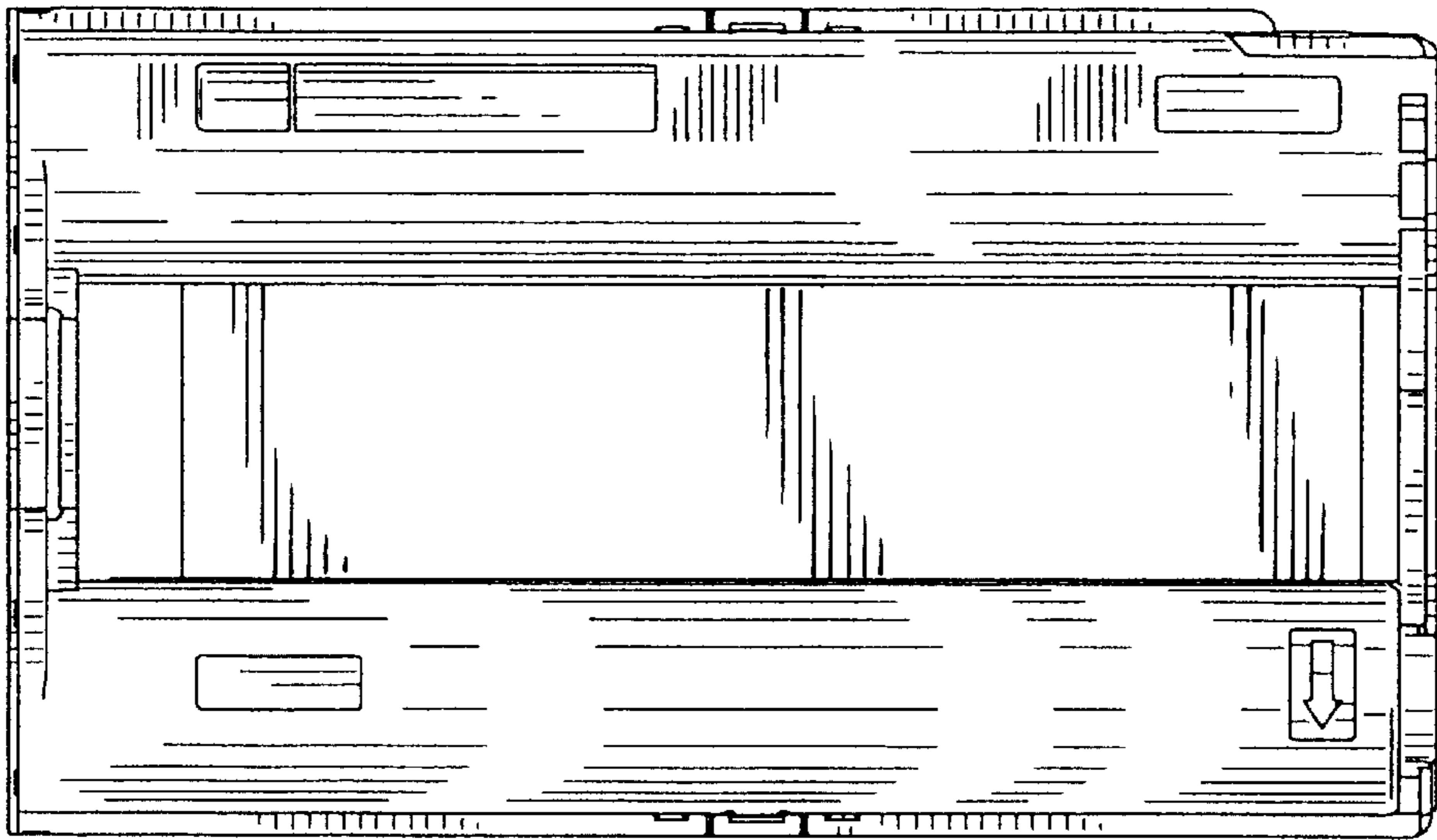


FIG.12

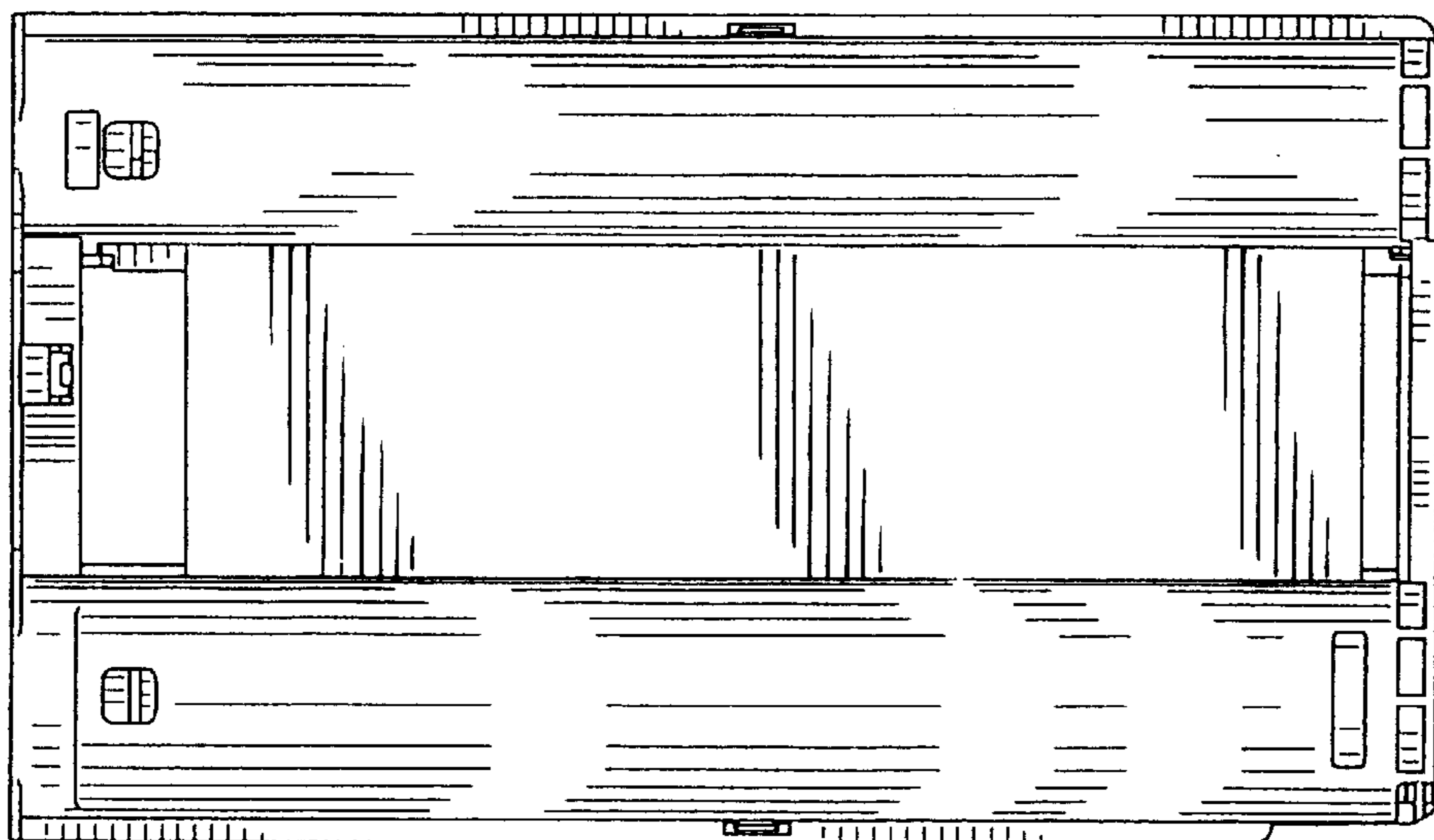




FIG.13

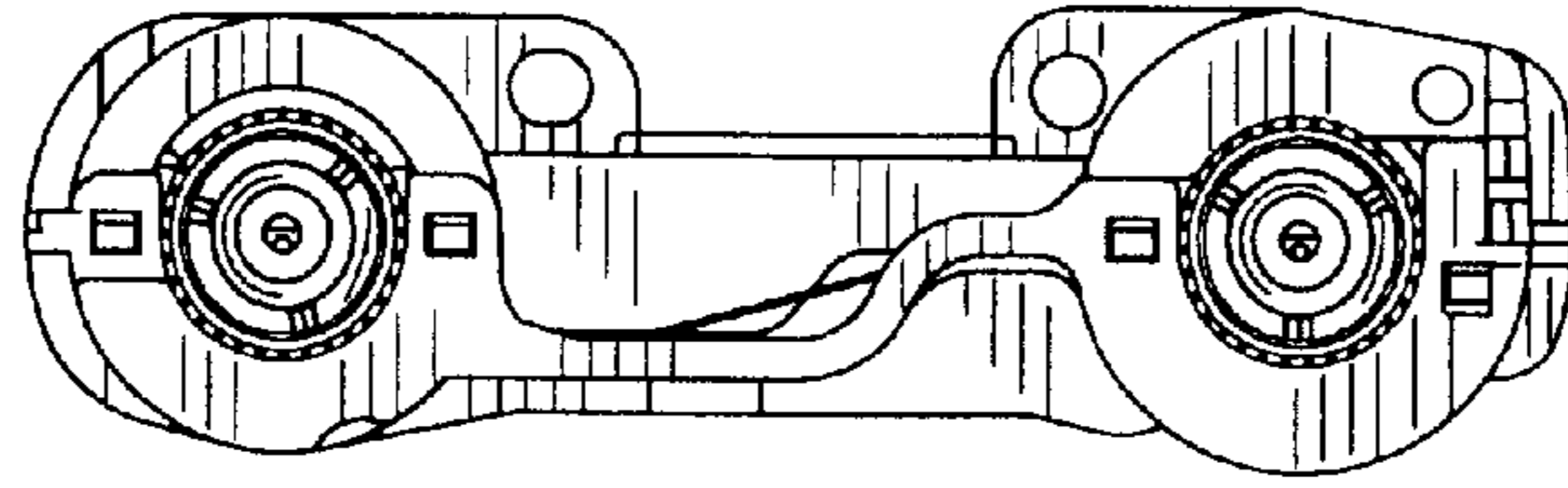


FIG.14

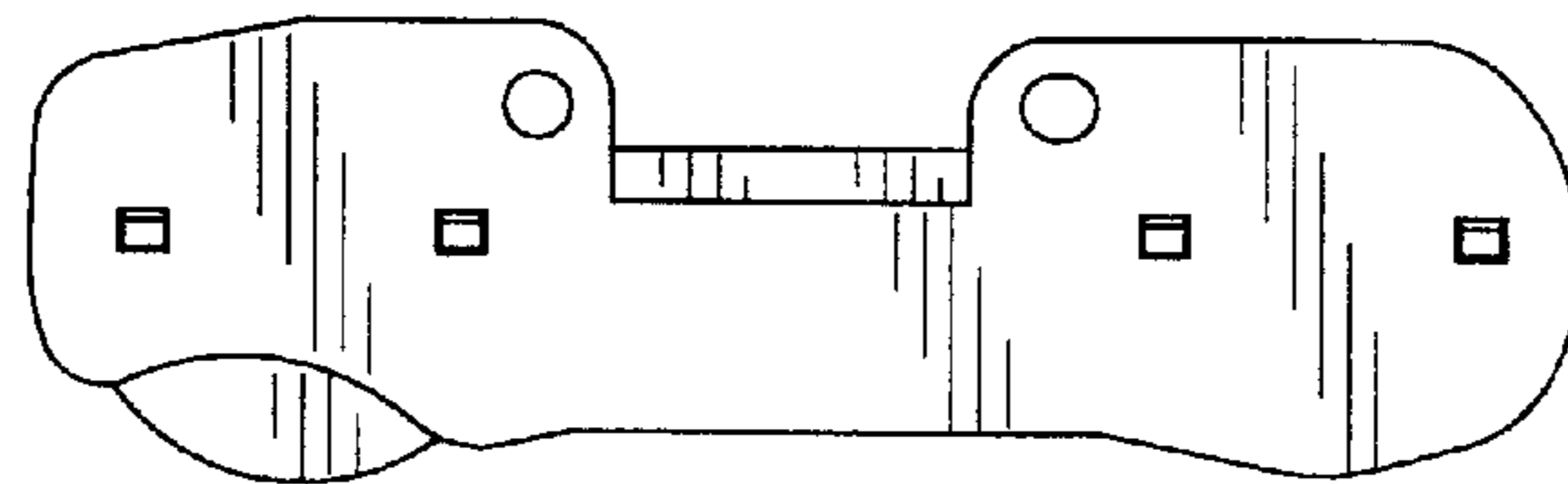
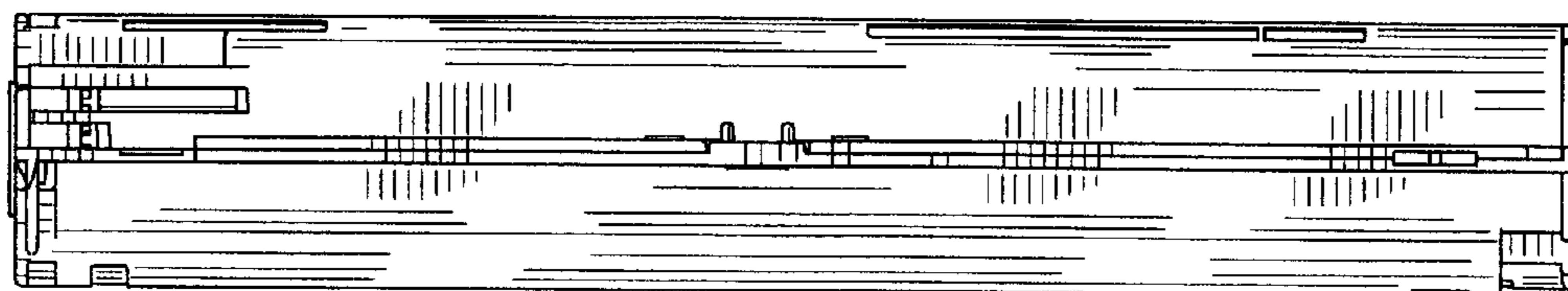


FIG.15



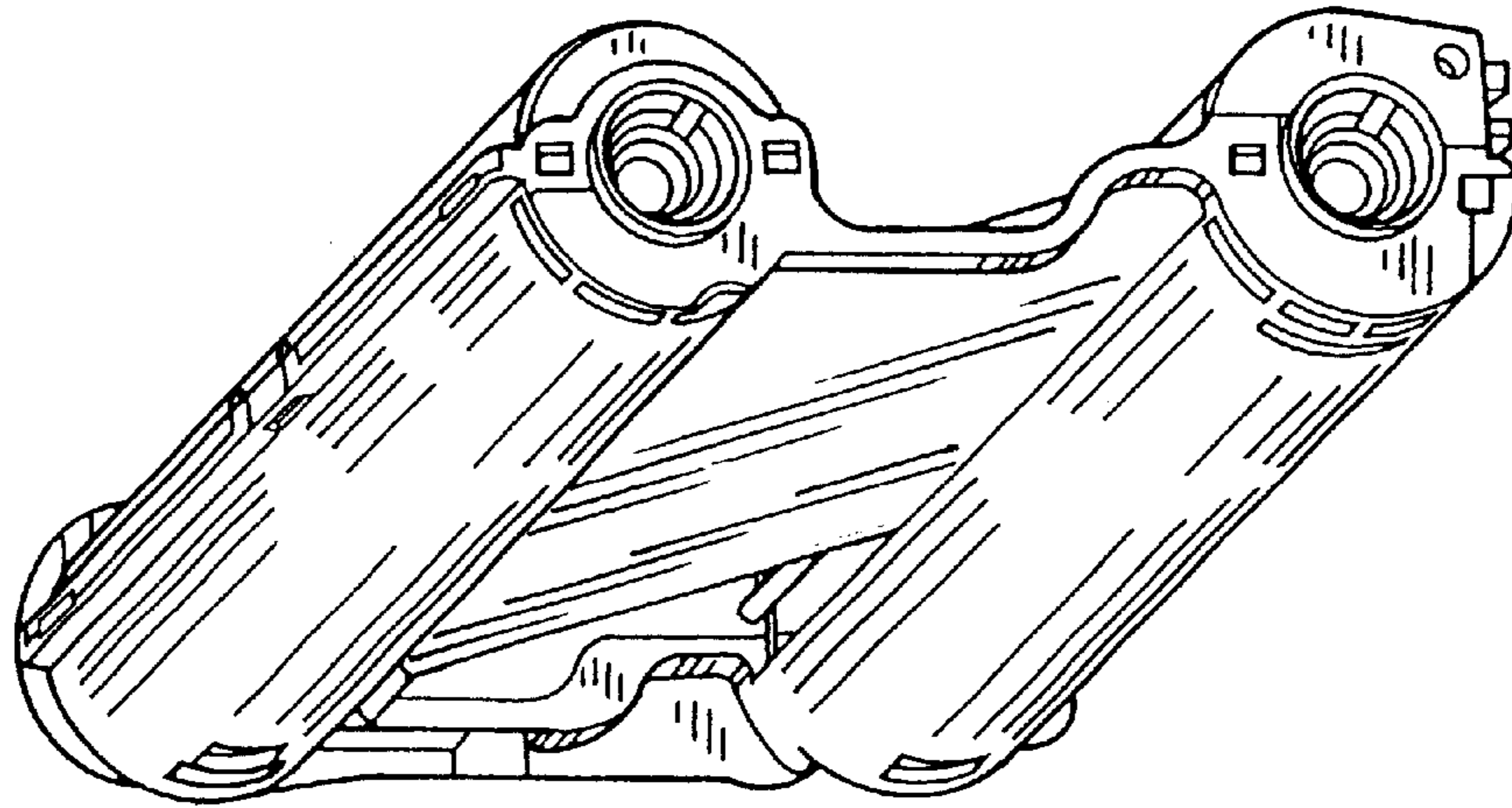


FIG. 16