



US00D539840S

(12) **United States Design Patent**
Whittall et al.

(10) **Patent No.:** **US D539,840 S**

(45) **Date of Patent:** **** Apr. 3, 2007**

(54) **PRINTER**

(75) Inventors: **Christopher L. Whittall**, La Jolla, CA (US); **Dario Giovanni Miticocchio**, La Jolla, CA (US); **Maria del Carmen Tate**, Santee, CA (US); **Paul O'Connor**, Portland, OR (US); **Stephen R. Brown**, Portland, OR (US); **Dominic M. D'Andrea**, Portland, OR (US); **Chris A. Valentine**, Portland, OR (US)

(73) Assignee: **Hewlett-Packard Development Company, L.P.**, Houston, TX (US)

(**) Term: **14 Years**

(21) Appl. No.: **29/236,478**

(22) Filed: **Aug. 17, 2005**

(51) **LOC (8) Cl.** **18-02**

(52) **U.S. Cl.** **D18/50**

(58) **Field of Classification Search** D18/36-39, D18/53-54, 54.1, 55; D14/420-425, 356-357, D14/361-363; D16/246-248, 237; 399/107; 400/613, 613.1-613.4, 691-694
See application file for complete search history.

(56) **References Cited**

U.S. PATENT DOCUMENTS

5,348,407 A * 9/1994 Hock et al. 400/691
D351,189 S * 10/1994 Yamaguchi et al. D18/55

D379,363 S * 5/1997 Nelson et al. D16/247
D449,851 S * 10/2001 Katou et al. D18/36
D521,061 S * 5/2006 Katayama et al. D18/55

OTHER PUBLICATIONS

HP Shopping.com *HP Photosmart 8150 Photo Printer, Demo*, 4 pages., printed from the Internet, web site http://www.shopping.hp.com/webapp/shopping/product_detail.do?hpweb_printable=true&catLevel=3&storeName=storefronts&subcat1=direct_photo&landing=printers&category=inkjets&product_code=Q3399A%23ABA on Aug. 16, 2005.

* cited by examiner

Primary Examiner—Cathy Anne MacCormac

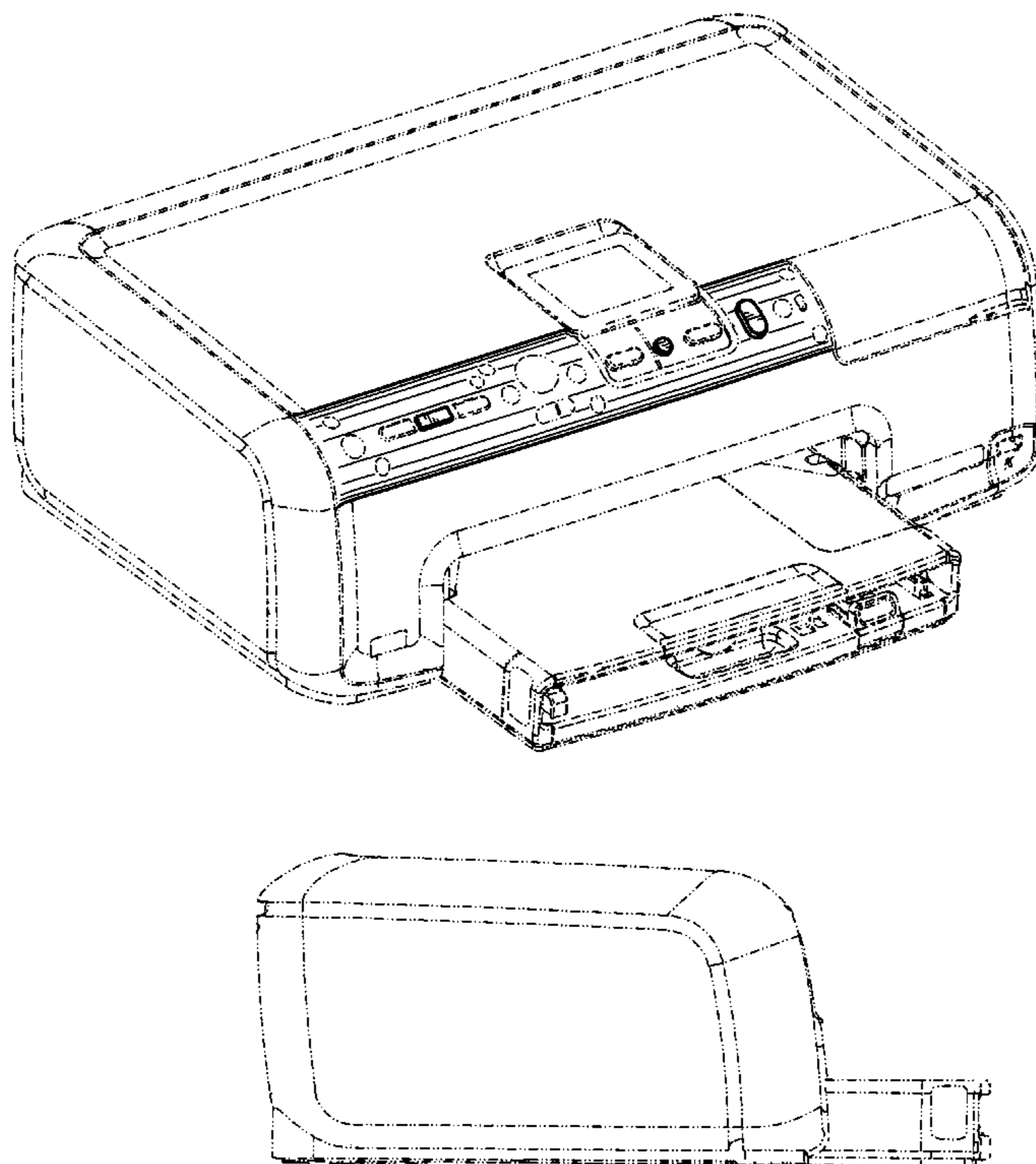
(57) **CLAIM**

We claim the ornamental design for a printer, as shown and described.

DESCRIPTION

FIG. 1 is a front perspective view a printer showing our new design;
FIG. 2 is a top plan view thereof;
FIG. 3 is a front elevational view thereof;
FIG. 4 is a right side elevational view thereof, the left side elevational view being a mirror image; and,
FIG. 5 is a rear elevational view thereof.
The broken lines in the drawings are for illustrative purposes only and form no part of the claimed design.

1 Claim, 4 Drawing Sheets



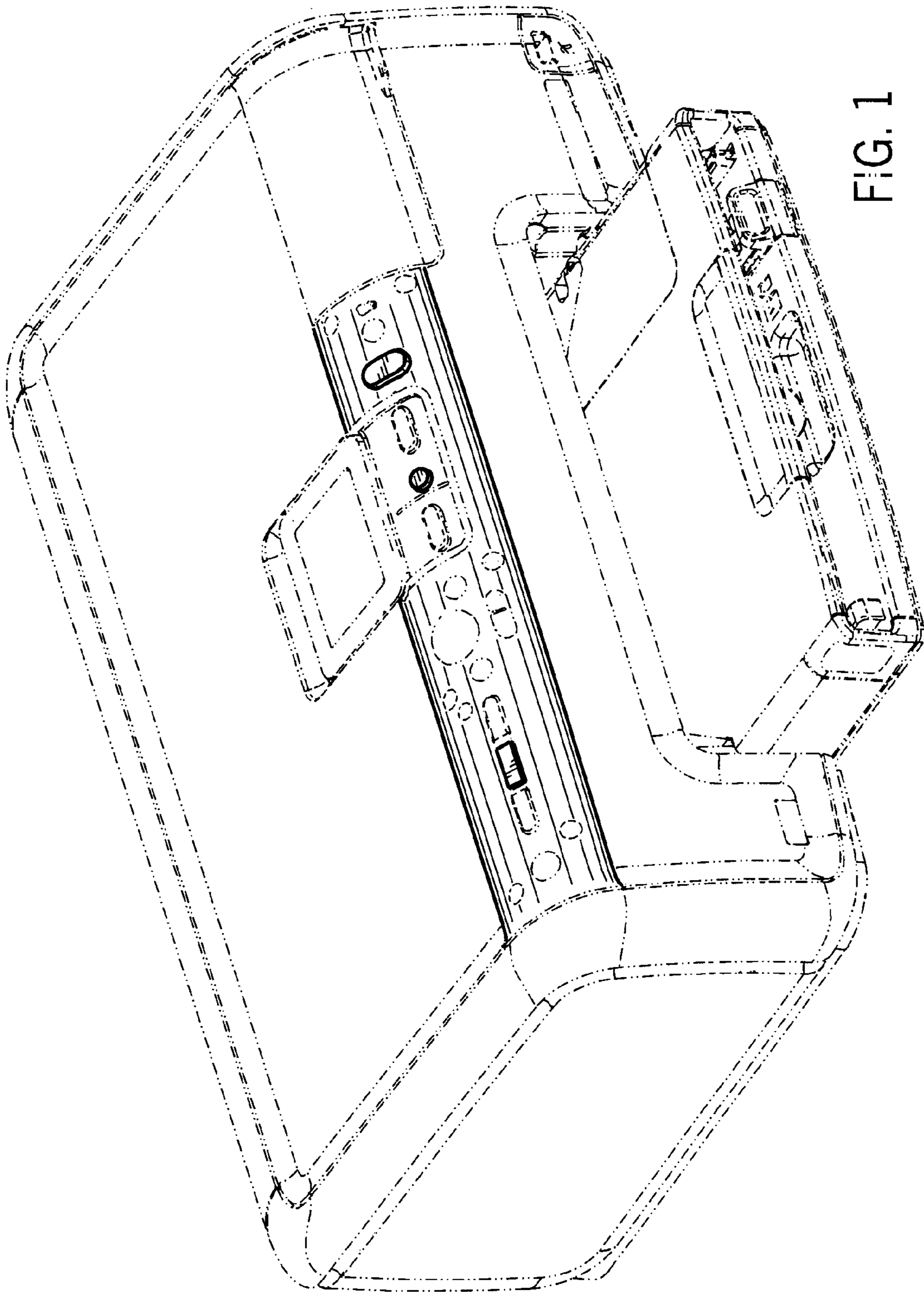


FIG. 1

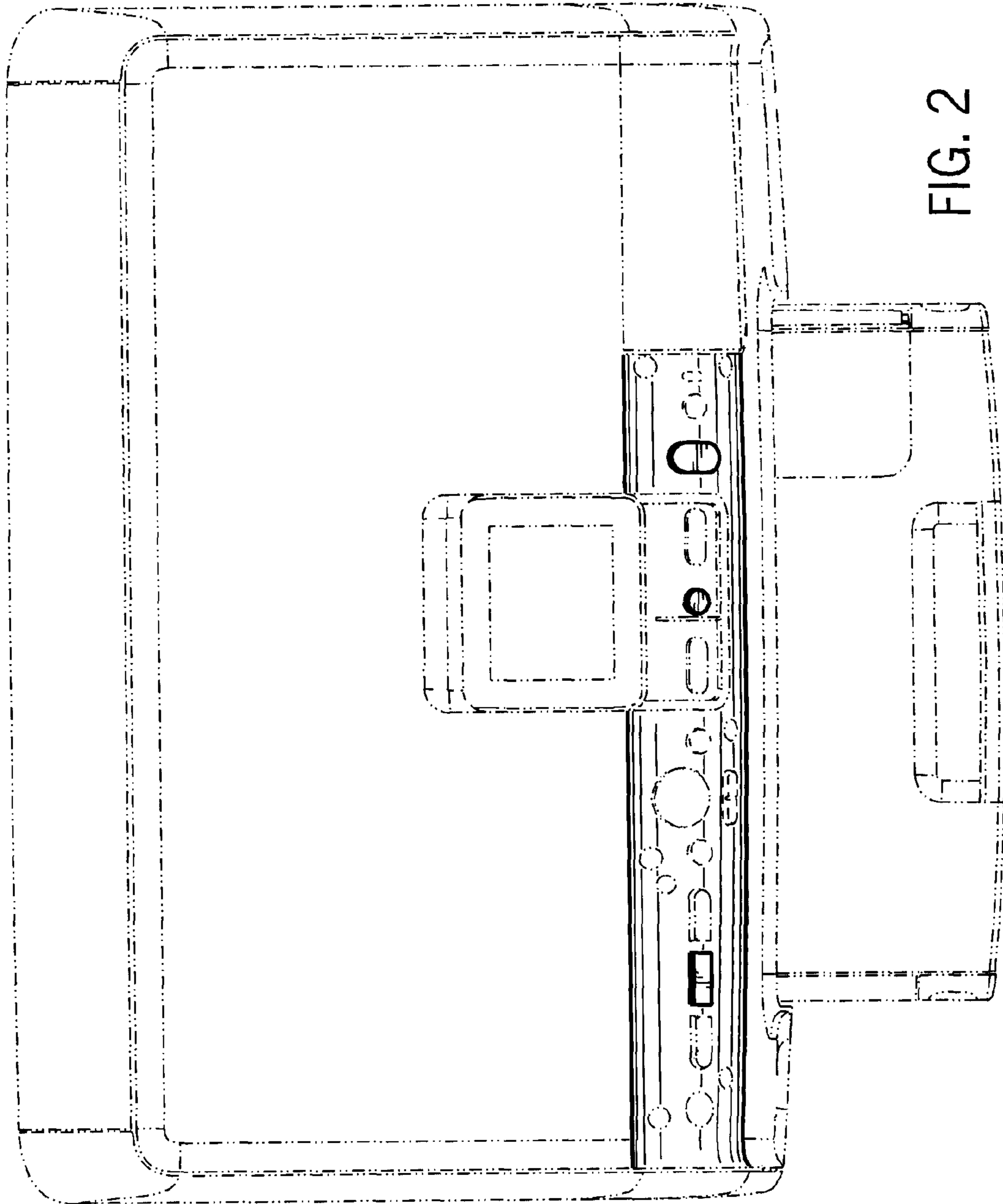


FIG. 2

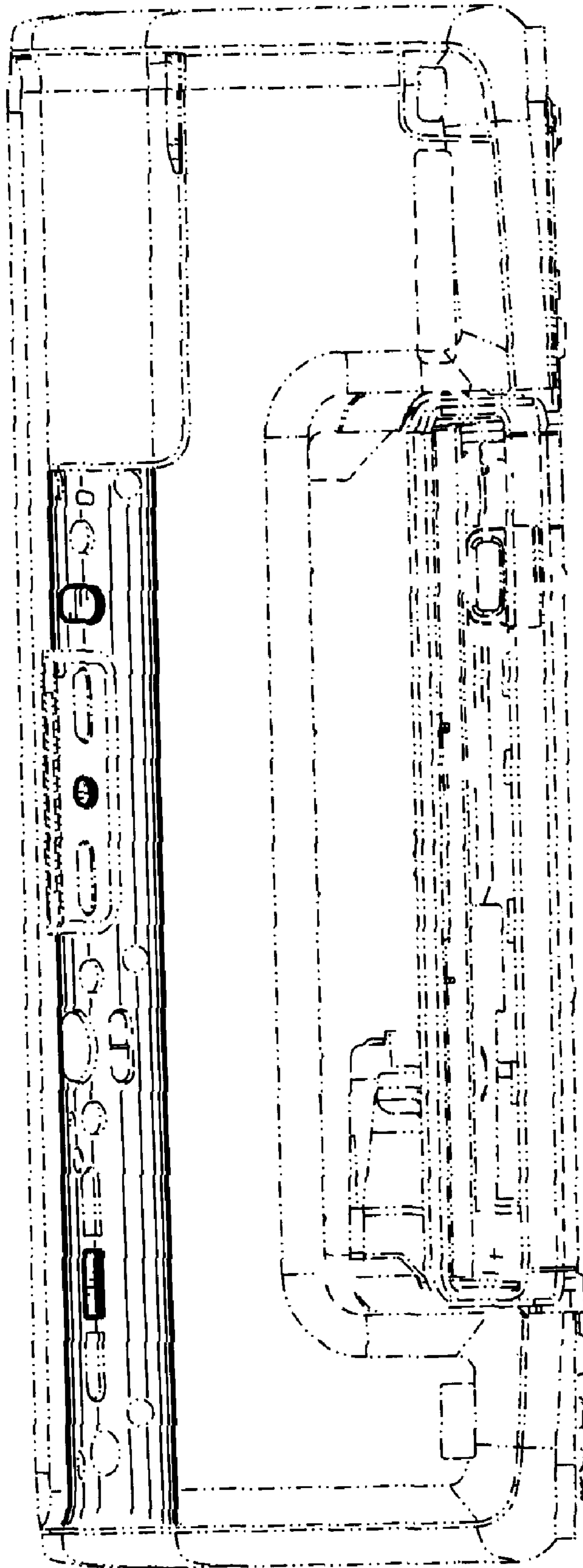


FIG. 3

FIG. 4

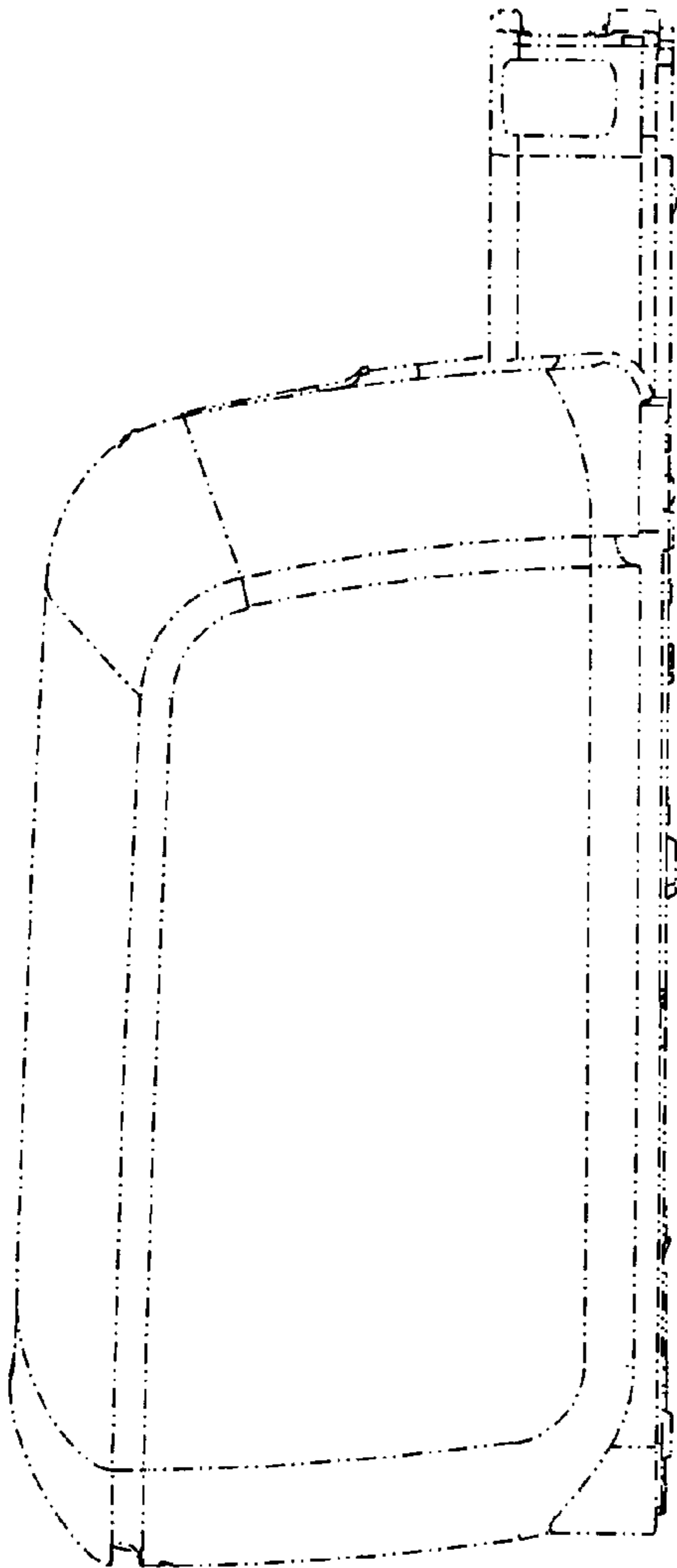


FIG. 5

