



US00D539839S

(12) **United States Design Patent**
Brinkly et al.

(10) **Patent No.:** **US D539,839 S**

(45) **Date of Patent:** **** Apr. 3, 2007**

(54) **DOCUMENT FEEDER**

(75) Inventors: **Richard L. Brinkly**, Vancouver, WA (US); **Stephen G. Brown**, Vancouver, WA (US)

(73) Assignee: **Hewlett-Packard Development Company, L.P.**, Houston, TX (US)

(**) Term: **14 Years**

(21) Appl. No.: **29/215,524**

(22) Filed: **Oct. 20, 2004**

(51) **LOC (8) Cl.** **18-99**

(52) **U.S. Cl.** **D18/49**

(58) **Field of Classification Search** D18/36-41, D18/45-49, 55-57; D14/462-471; 222/DIG. 1; 271/3.02, 3.03, 3.08, 145, 160, 171, 226, 271/264; 355/97, 112; 399/16, 17, 361, 381-383, 399/388, 393

See application file for complete search history.

(56) **References Cited**

U.S. PATENT DOCUMENTS

D311,755 S * 10/1990 Aoyama et al. D18/49

D438,889 S * 3/2001 Matsumoto et al. D18/39
D456,834 S * 5/2002 Fetherolf et al. D18/36
D464,659 S * 10/2002 Nanri D14/463
D490,462 S * 5/2004 Chua et al. D18/55
D518,515 S * 4/2006 Miyauchi et al. D18/55
D525,291 S * 7/2006 Fukumura et al. D18/49

* cited by examiner

Primary Examiner—Robert M. Spear
Assistant Examiner—Garth Rademaker

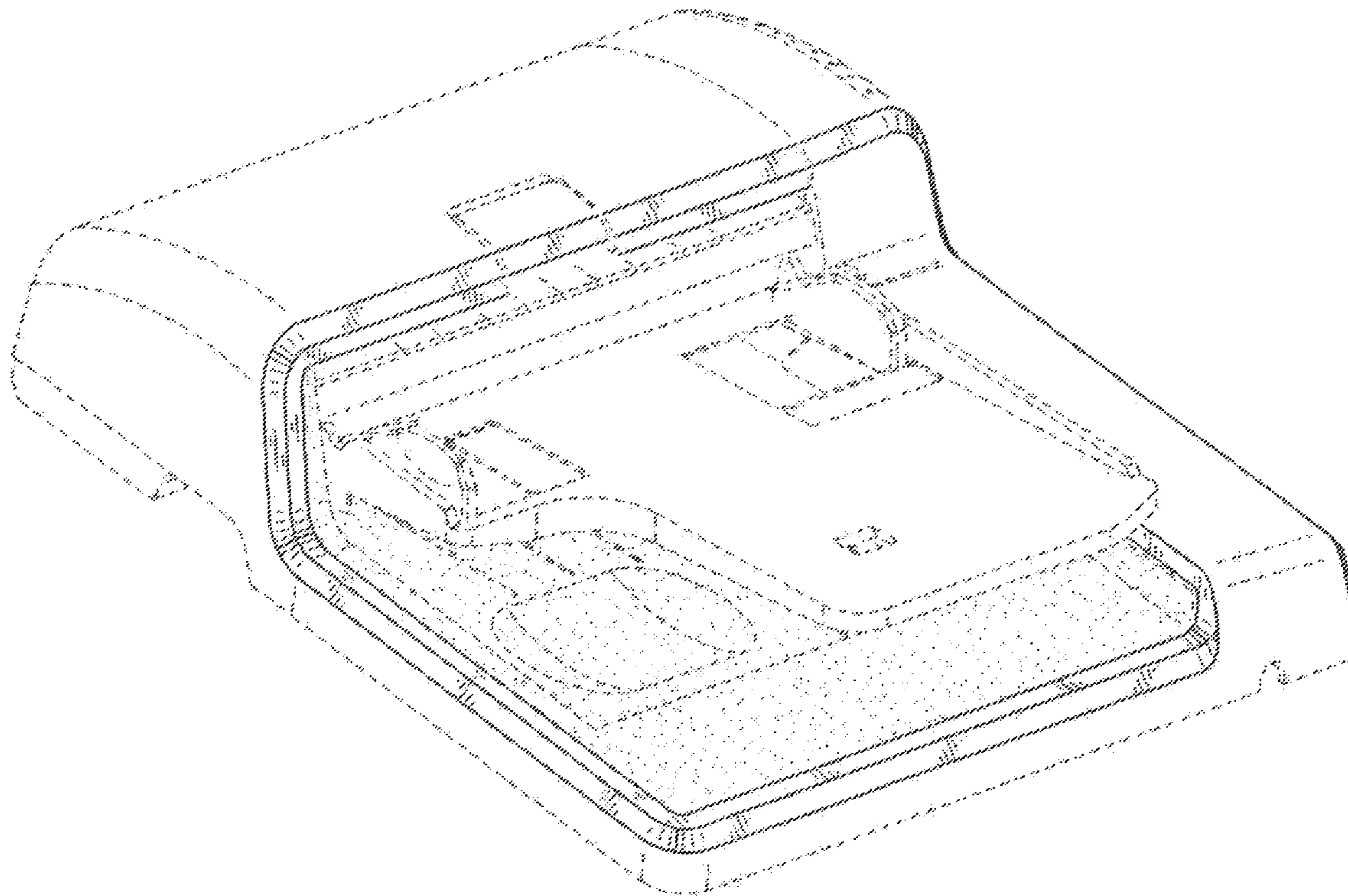
(57) **CLAIM**

We claim the ornamental design for a document feeder, as shown and described.

DESCRIPTION

FIG. 1 is a top perspective view of our design for a document feeder;
FIG. 2 is a top plan view thereof;
FIG. 3 is a left-side elevational view thereof;
FIG. 4 is a front elevational view thereof; and
FIG. 5 is a right side elevational view thereof.
The broken lines in the drawings are for illustrative purposes only and form no part of the claimed design.

1 Claim, 4 Drawing Sheets



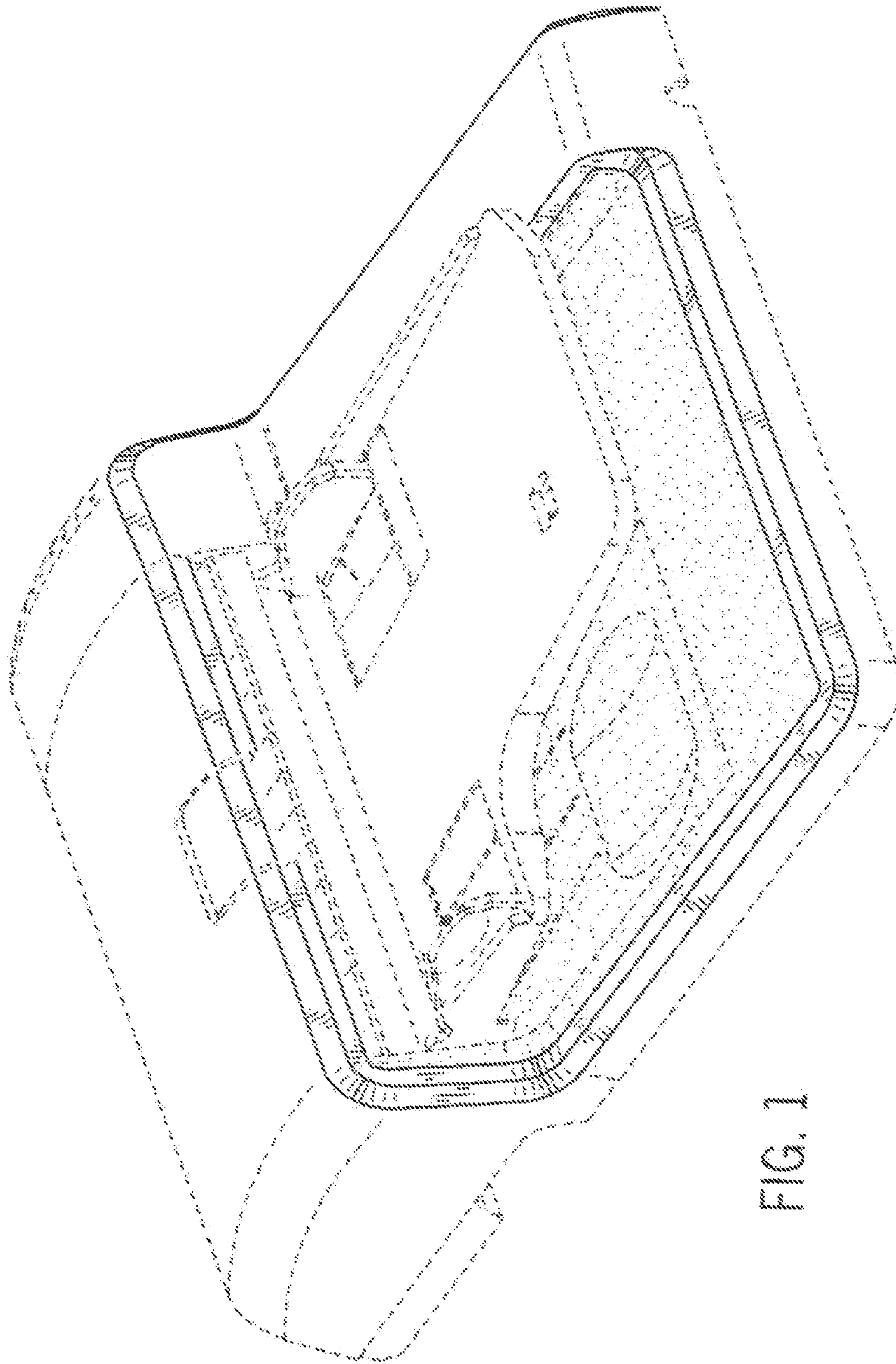
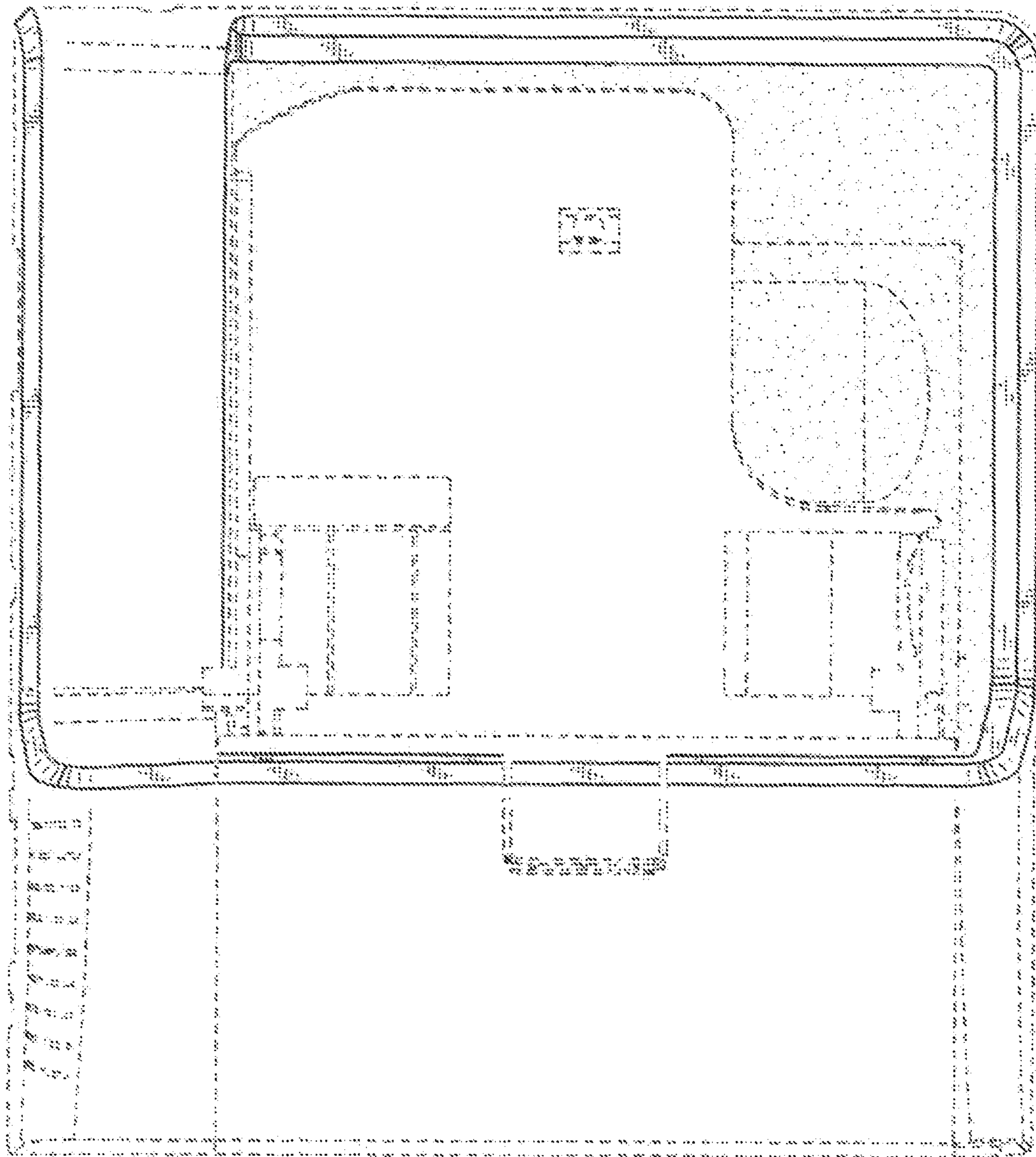


FIG. 1

FIG. 2



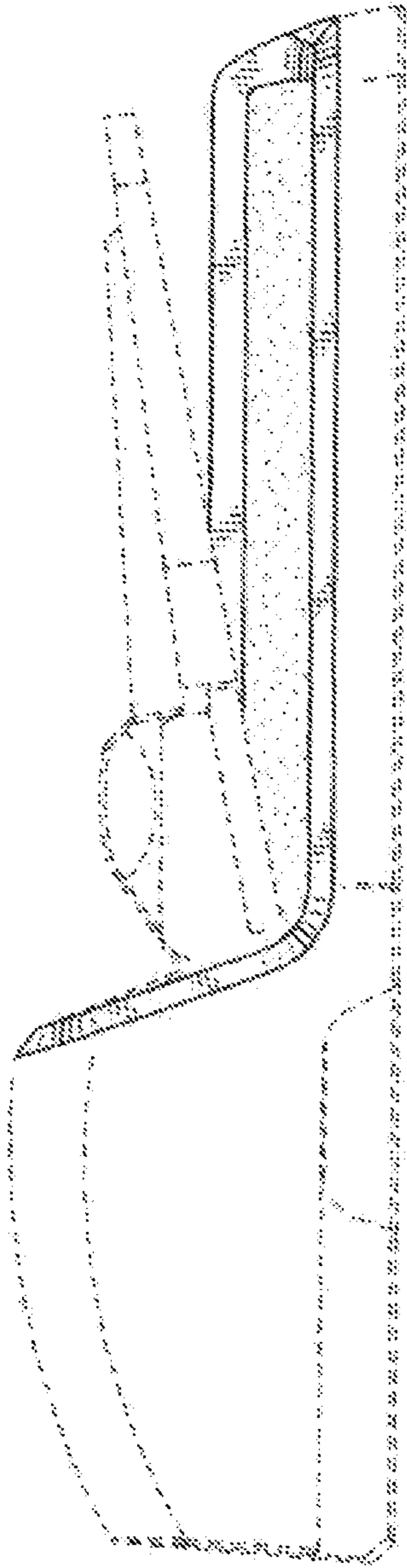


FIG. 3

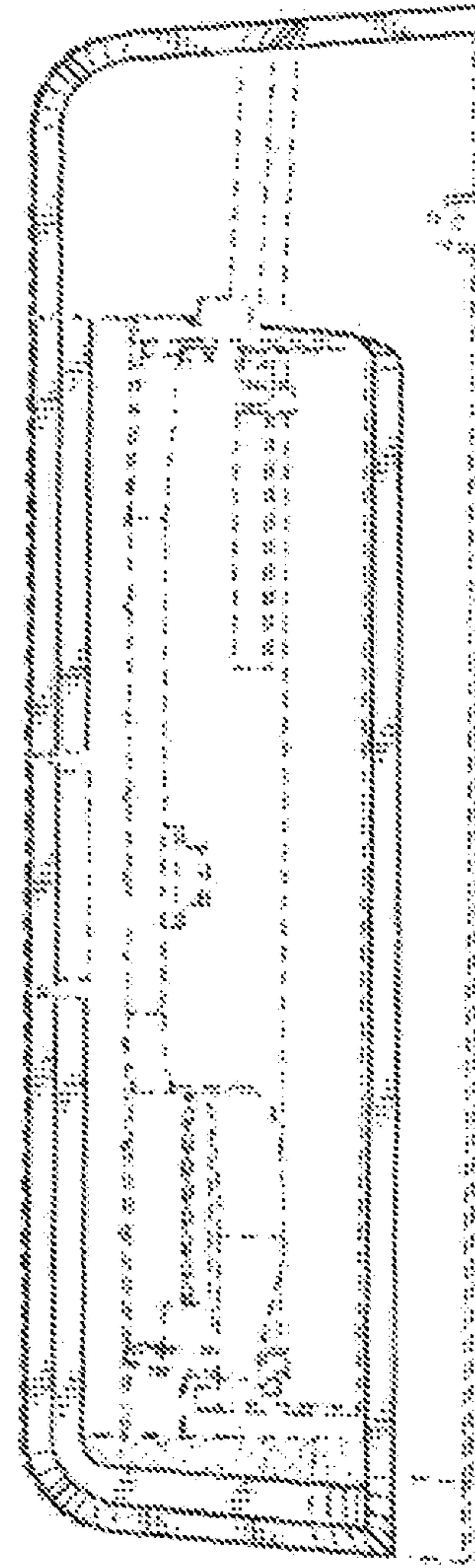


FIG. 4

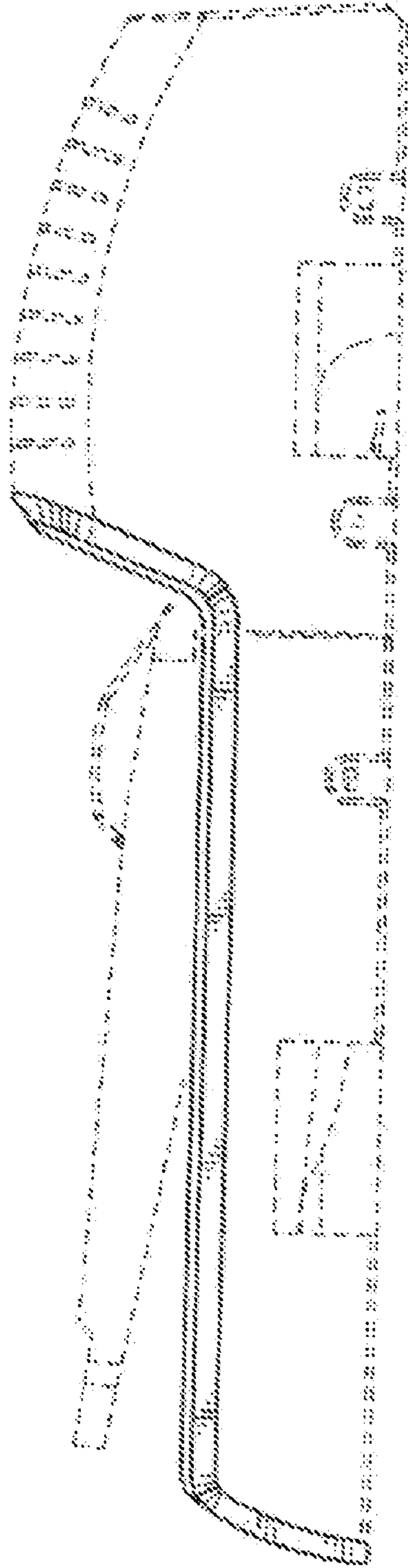


FIG. 5