



US00D539827S

(12) **United States Design Patent** (10) **Patent No.:** **US D539,827 S**
Ebeid (45) **Date of Patent:** **** Apr. 3, 2007**

(54) **CAMERA BOOM DEVICE**

(76) Inventor: **Phillip T. Ebeid**, 29122 Corales Pl.,
Canyon Country, CA (US) 91387

(**) Term: **14 Years**

(21) Appl. No.: **29/214,393**

(22) Filed: **Sep. 30, 2004**

(51) **LOC (8) Cl.** **16-05**

(52) **U.S. Cl.** **D16/242**

(58) **Field of Classification Search** D16/242,
D16/244, 245; D34/36; 248/123.11, 123.2,
248/178.1; 280/47.11; 352/243; 396/419,
396/428

See application file for complete search history.

(56) **References Cited**

U.S. PATENT DOCUMENTS

799,625	A	9/1905	Berthelot	
1,645,060	A *	10/1927	Kraft	52/634
1,877,323	A	9/1932	Hyland	
2,368,268	A	1/1945	Spiegel	
2,447,667	A *	8/1948	Raby	248/123.2
2,472,944	A *	6/1949	Furer et al.	396/428
2,893,299	A	7/1959	Moir	
D224,129	S *	7/1972	Sterner	D34/36
3,788,585	A	1/1974	Masseron	
3,947,144	A	3/1976	Elliott	
4,231,551	A	11/1980	Ikeda	
4,375,351	A	3/1983	Allen	
4,648,647	A	3/1987	Patton	
4,685,649	A *	8/1987	McKay	352/243
4,849,778	A *	7/1989	Samuelson	396/428

(Continued)

OTHER PUBLICATIONS

Stanton Video Services, Jimmy Jib Triangle, Copyright
2001; 3 pages printed from internet on Aug. 10, 2004.

Primary Examiner—Adir Aronovich

(74) *Attorney, Agent, or Firm*—Law Offices of David L.
Hoffman

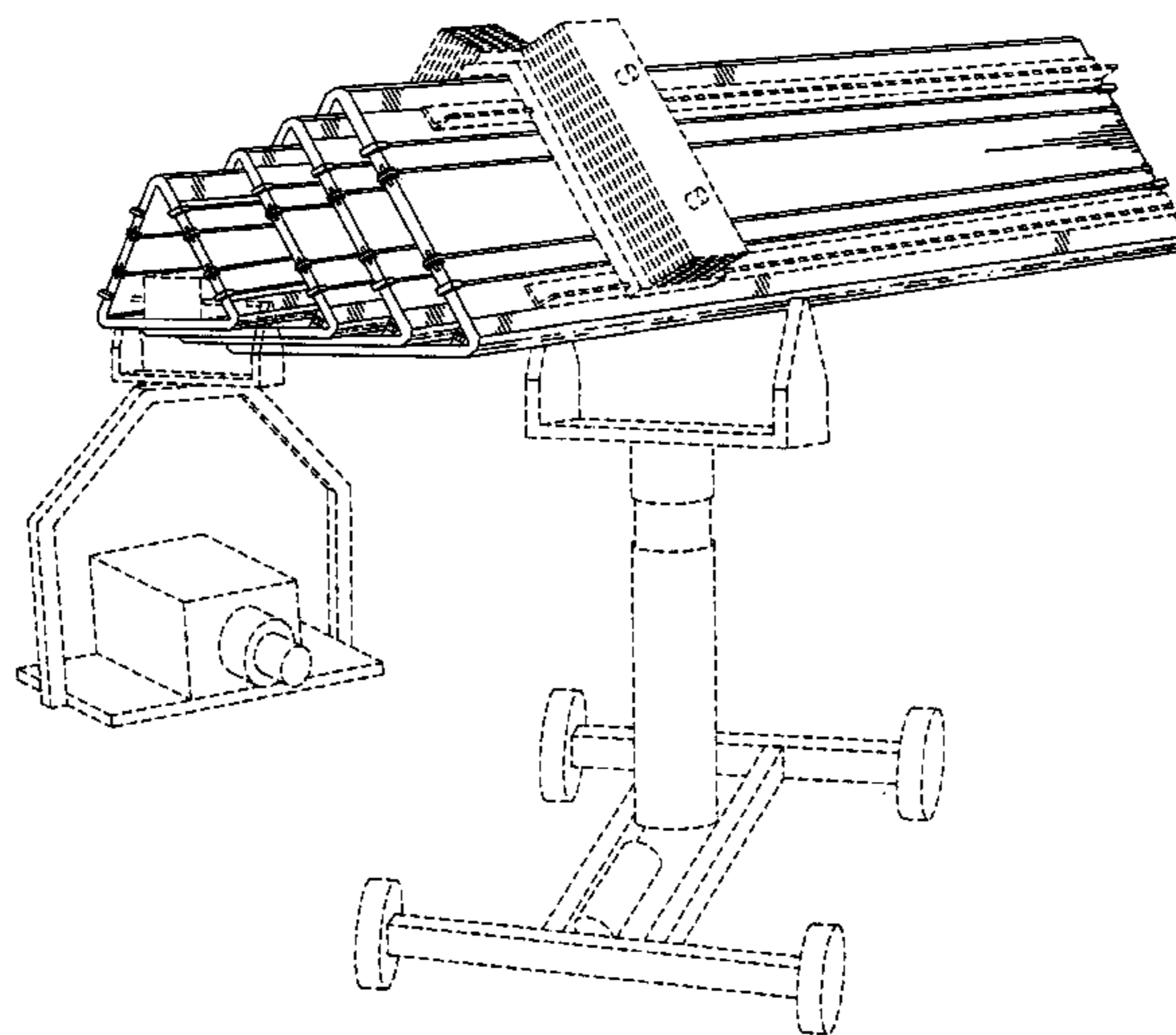
(57) **CLAIM**

The ornamental design for a camera boom device, as shown
and described.

DESCRIPTION

FIG. 1 is a perspective view of my camera boom device;
FIG. 2 is a top view thereof;
FIG. 3 is a right side elevational view thereof, the left side
elevational view being a mirror image thereof;
FIG. 4 is a bottom view thereof;
FIG. 5 is a front elevational view thereof;
FIG. 6 is a rear elevational view thereof;
FIG. 7 is an enlarged partial right side view of a portion of
FIG. 3 in a circle labeled “FIG. 7”;
FIG. 8 is an enlarged partial front view of a portion of FIG.
5 in a circle labeled “FIG. 8”;
FIG. 9 is an enlarged partial rear view of a portion of FIG.
6 in a circle labeled “FIG. 9”;
FIG. 10 is a perspective view of an alternative embodiment;
FIG. 11 is a top view of the alternative embodiment;
FIG. 12 is a right side elevational view thereof, the left side
elevational view being a mirror image thereof;
FIG. 13 is a bottom view of the alternative embodiment;
FIG. 14 is a front elevational view of the alternative embodi-
ment;
FIG. 15 is a rear elevational view of the alternative embodi-
ment;
FIG. 16 is an enlarged partial right side view of a portion of
FIG. 12 in a circle labeled “FIG. 16”;
FIG. 17 is an enlarged partial front view of a portion of FIG.
14 in a circle labeled “FIG. 17”; and,
FIG. 18 is an enlarged partial rear view of portion of FIG.
15 in a circle labeled “FIG. 18”.

1 Claim, 10 Drawing Sheets



US D539,827 S

Page 2

U.S. PATENT DOCUMENTS

4,907,768	A	3/1990	Masseron et al.			
4,943,019	A	7/1990	Mester			
5,644,377	A	7/1997	Romanoff et al.			
5,671,932	A	9/1997	Chapman			
5,697,757	A	12/1997	Lindsay			
5,730,450	A	* 3/1998	Chapman	280/47.11	
D411,685	S	6/1999	Thomas			
6,253,502	B1	7/2001	Layton			
6,345,919	B1	* 2/2002	Chapman	396/428	
6,450,706	B1	9/2002	Chapman			
6,478,427	B1	11/2002	Morris et al.			
6,517,207	B2	* 2/2003	Chapman	352/243	
6,579,016	B2	6/2003	Chapman			
D483,788	S	* 12/2003	Dordick	D16/242	
6,752,641	B2	5/2004	Dykyj			
6,837,446	B1	* 1/2005	Jesse	52/634	
7,037,006	B2	* 5/2006	Chapman	396/428	
2003/0079436	A1	5/2003	Manfre			
2004/0040100	A1	3/2004	Tokuno et al.			

* cited by examiner

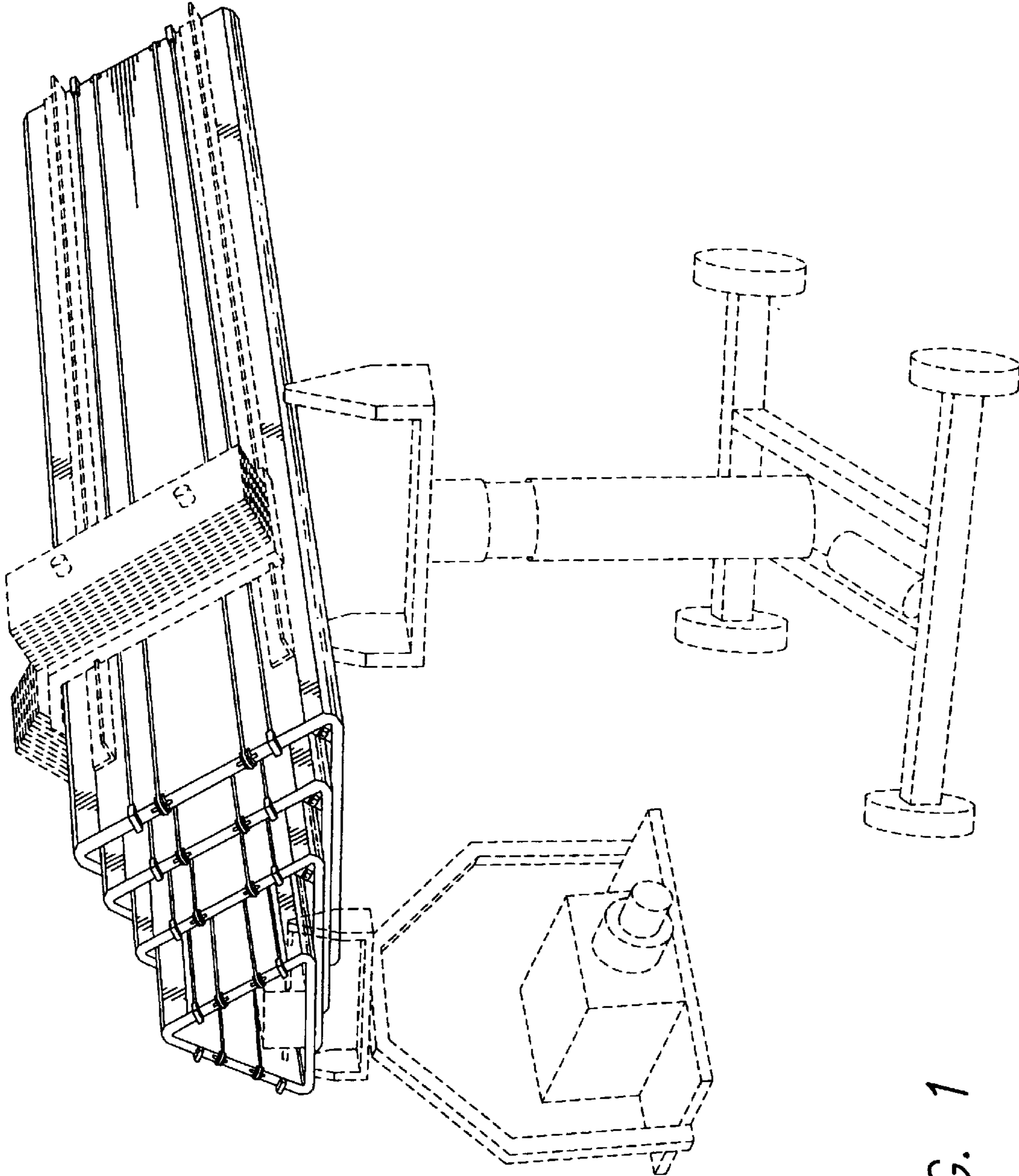


FIG. 1

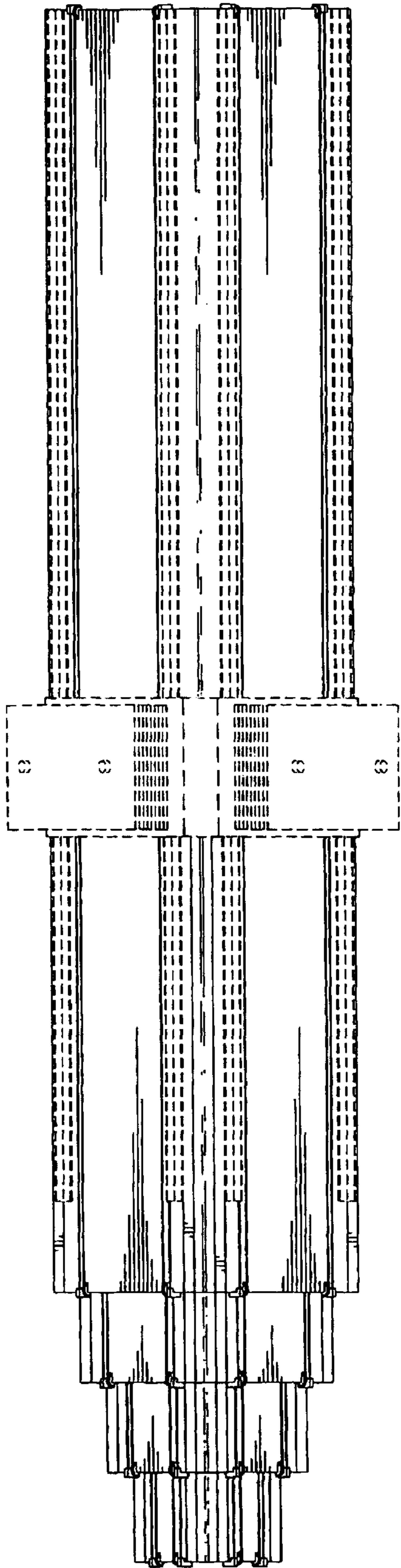


FIG. 2

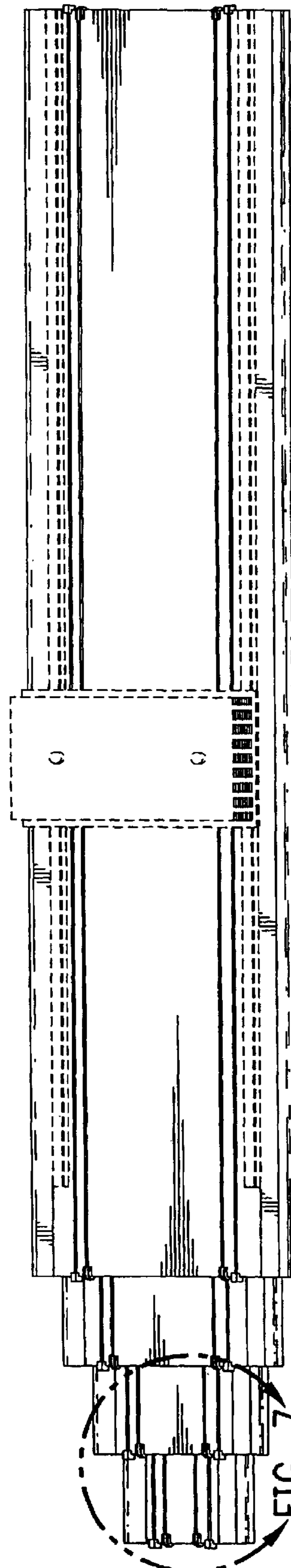


FIG. 3

FIG. 7

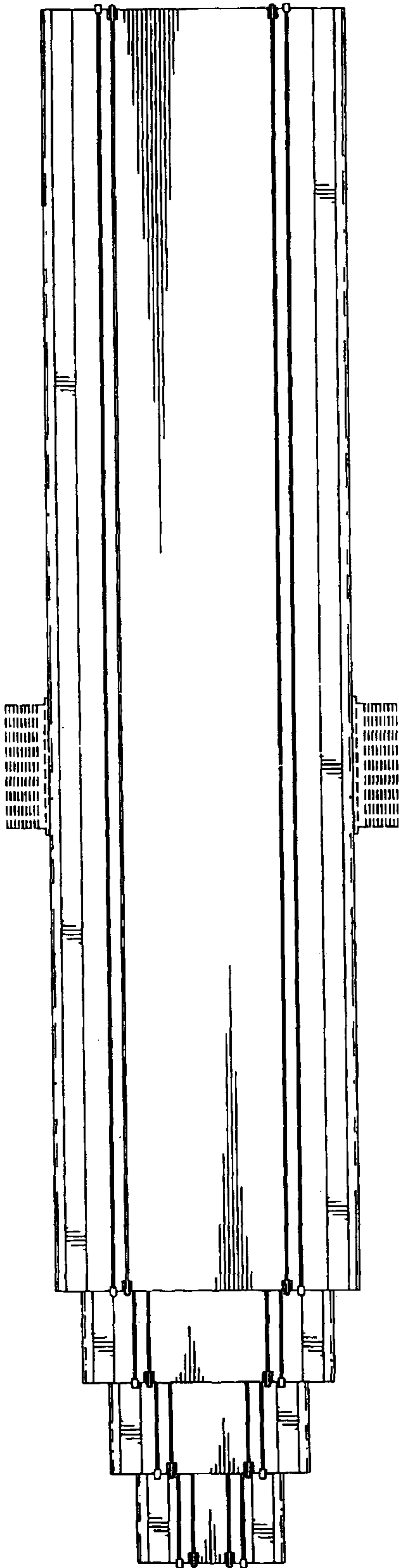


FIG. 4

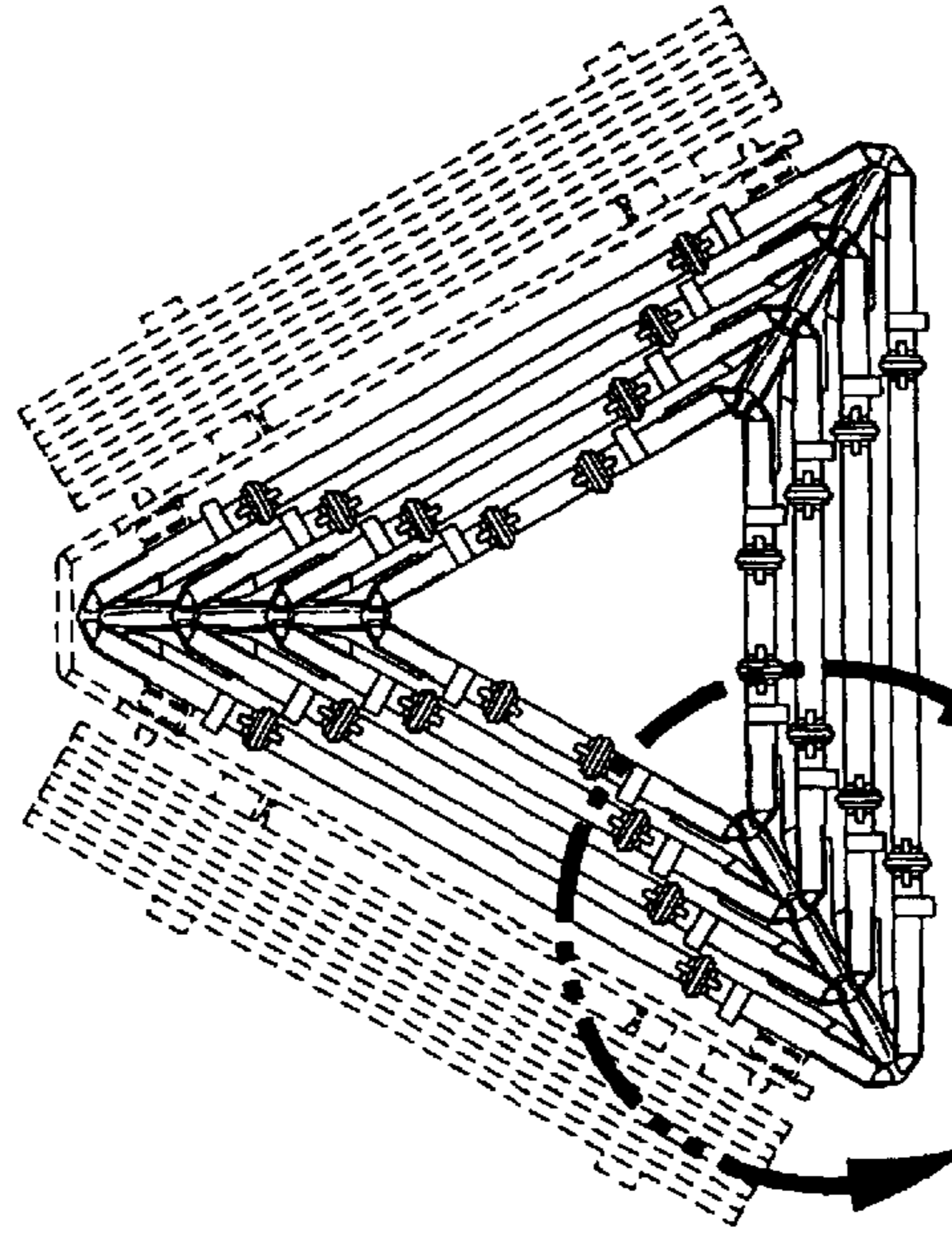


FIG. 9

FIG. 6

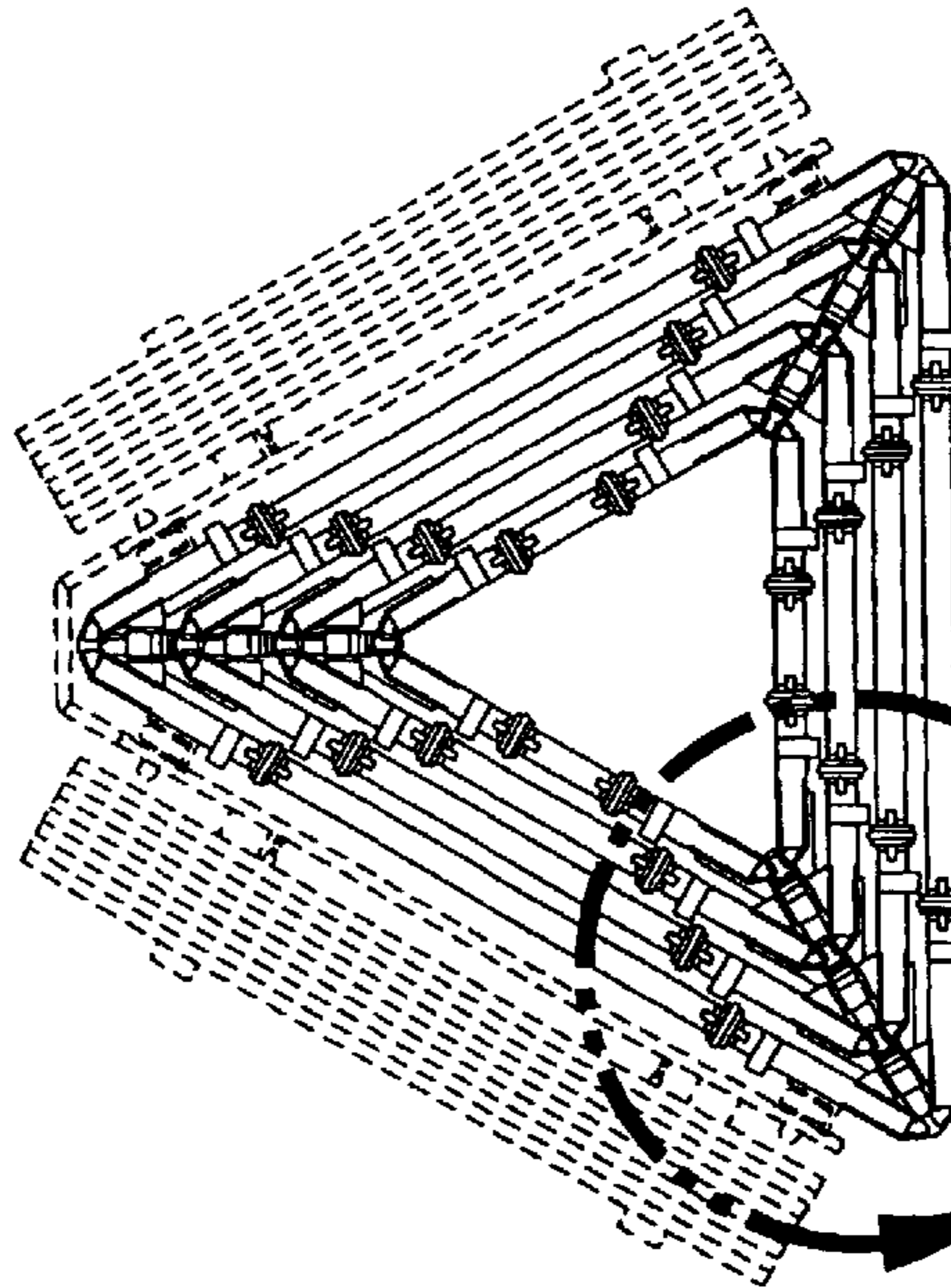


FIG. 8

FIG. 5

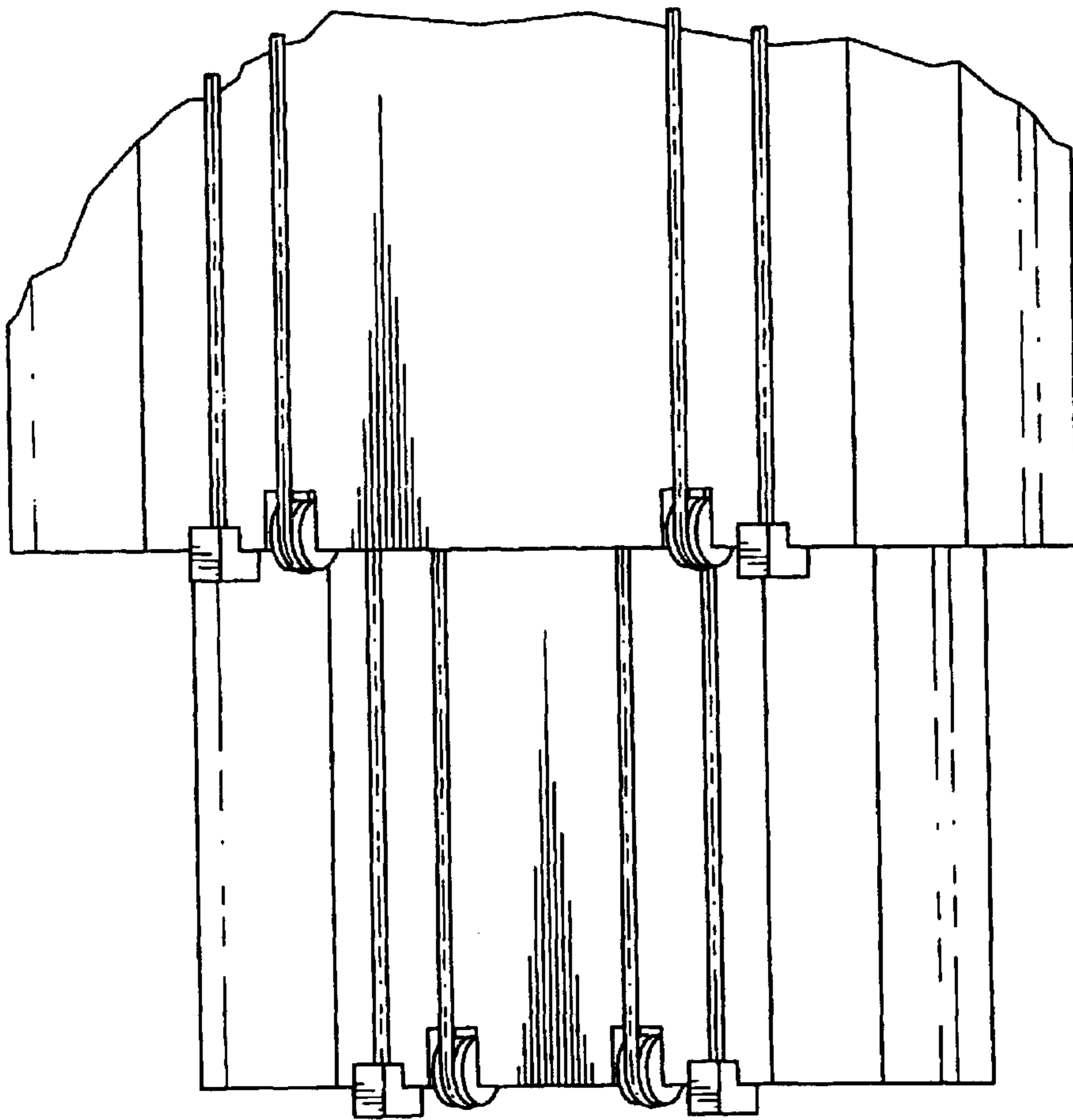


FIG. 7

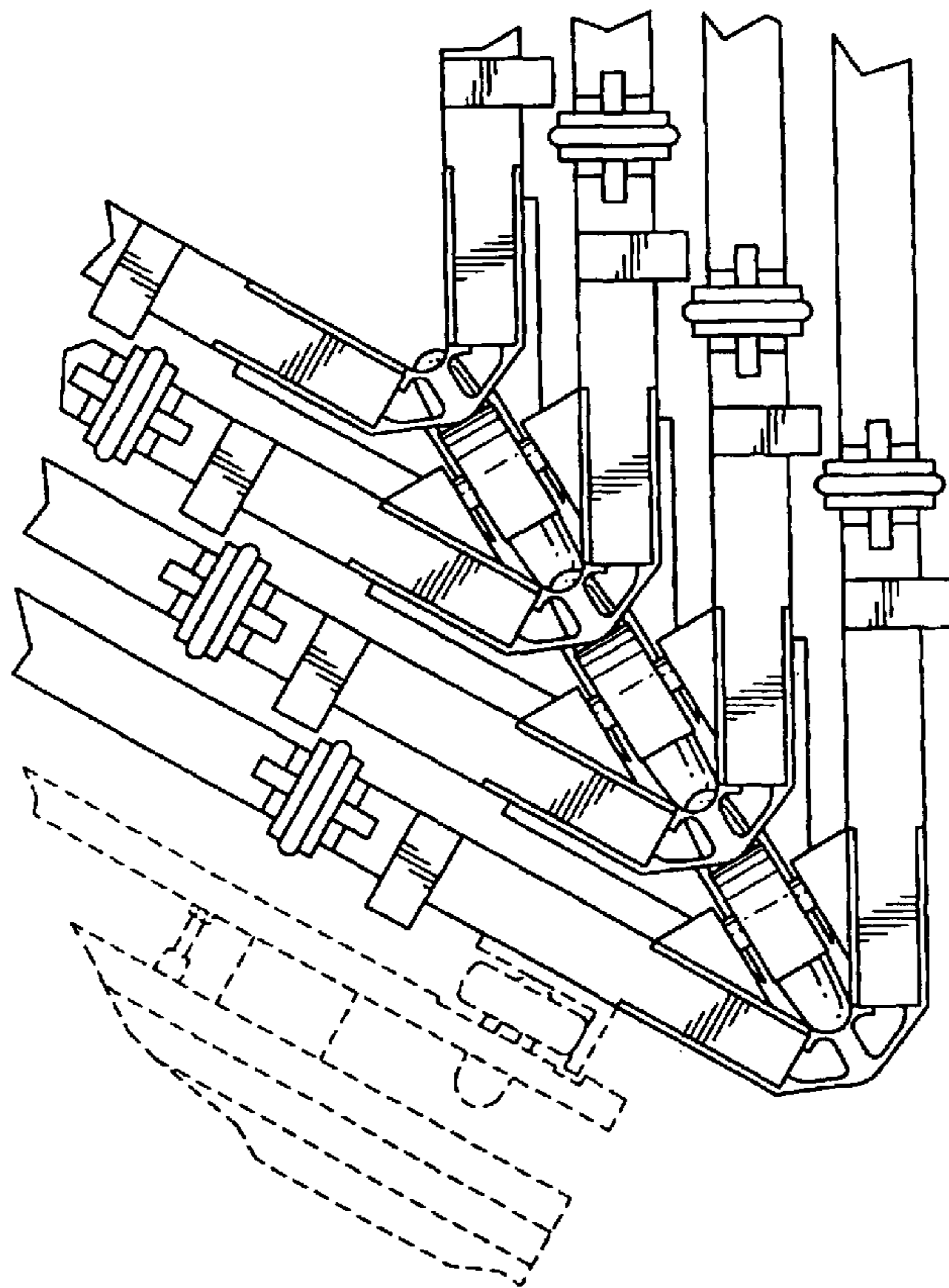


FIG. 8

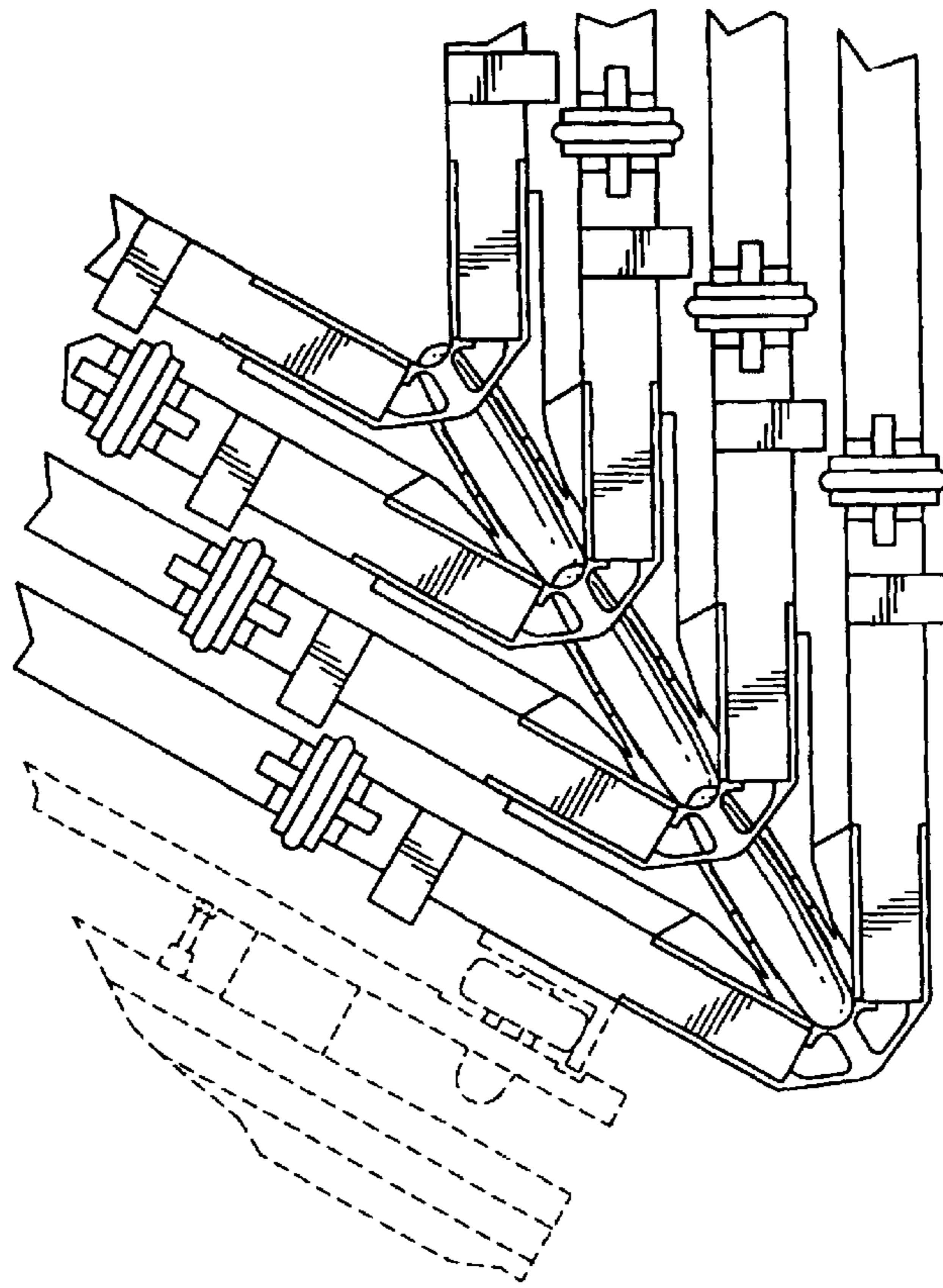


FIG. 9

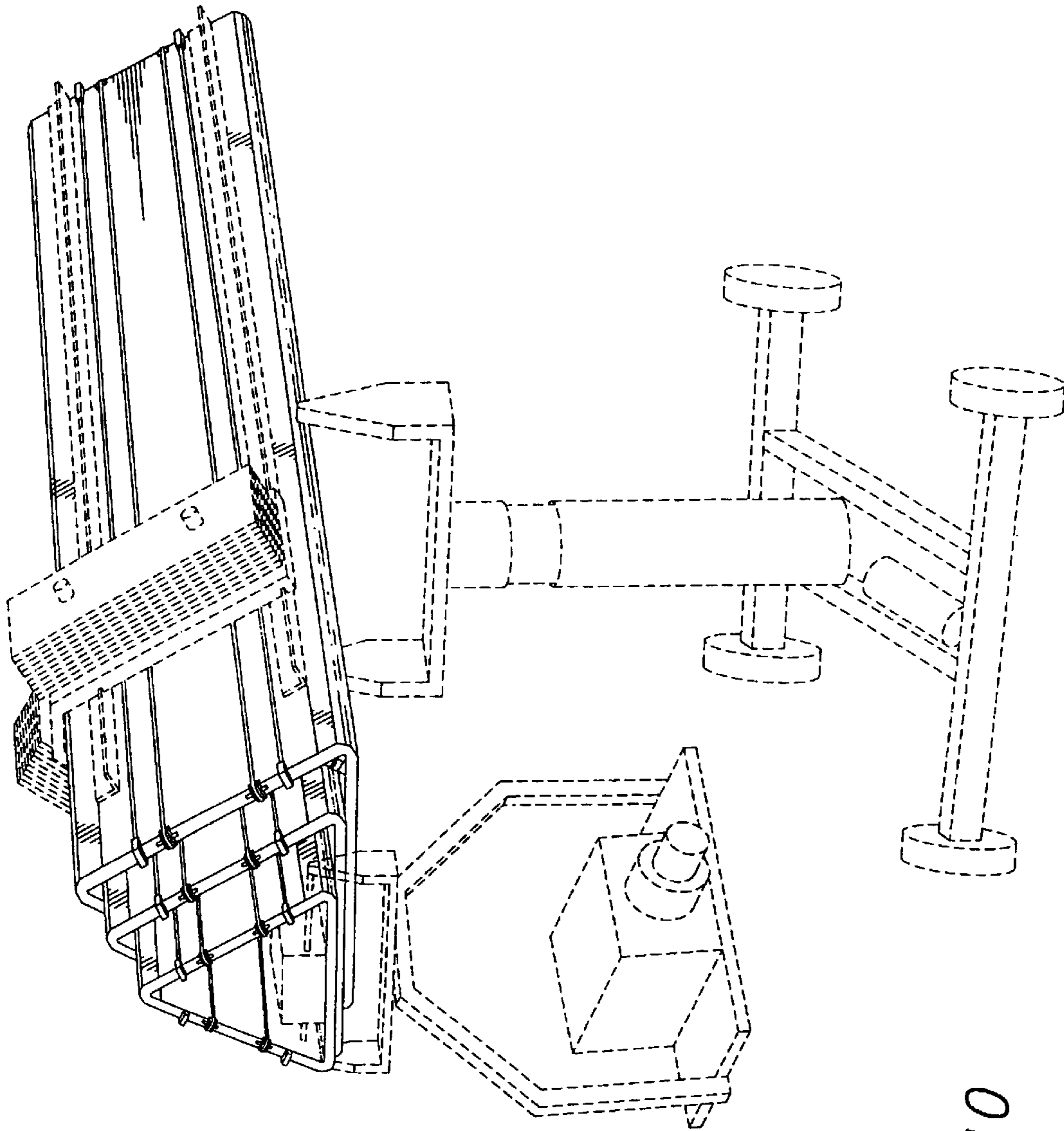


FIG. 10

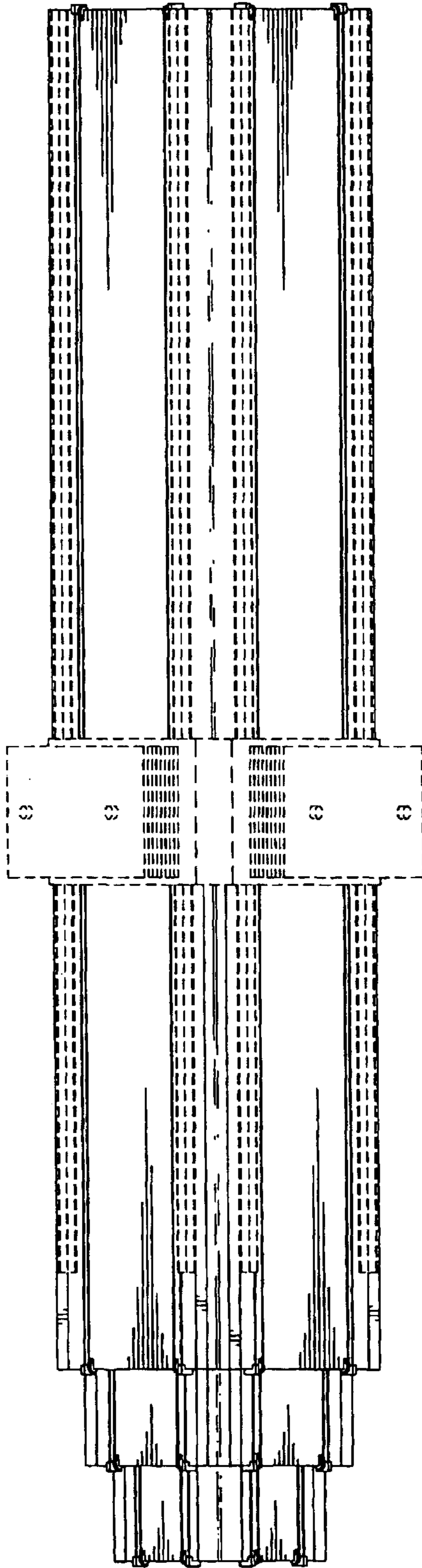


FIG. 11

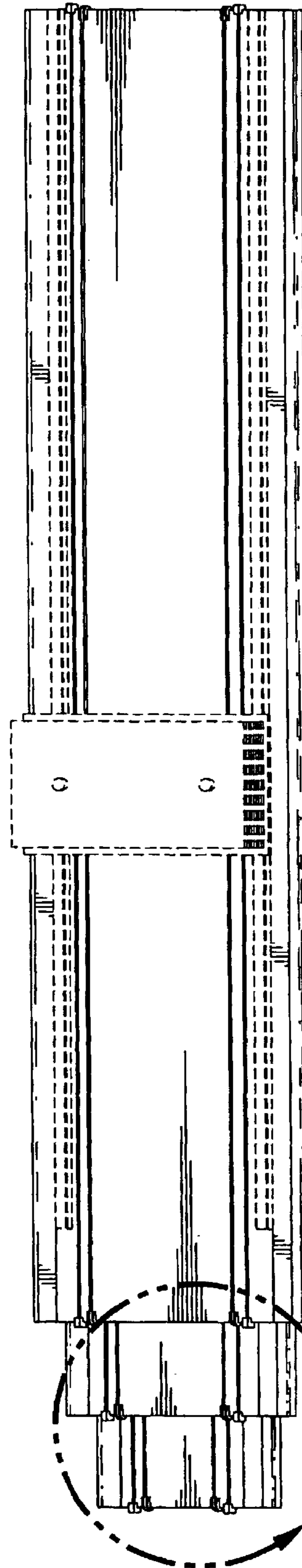


FIG. 12

FIG. 16

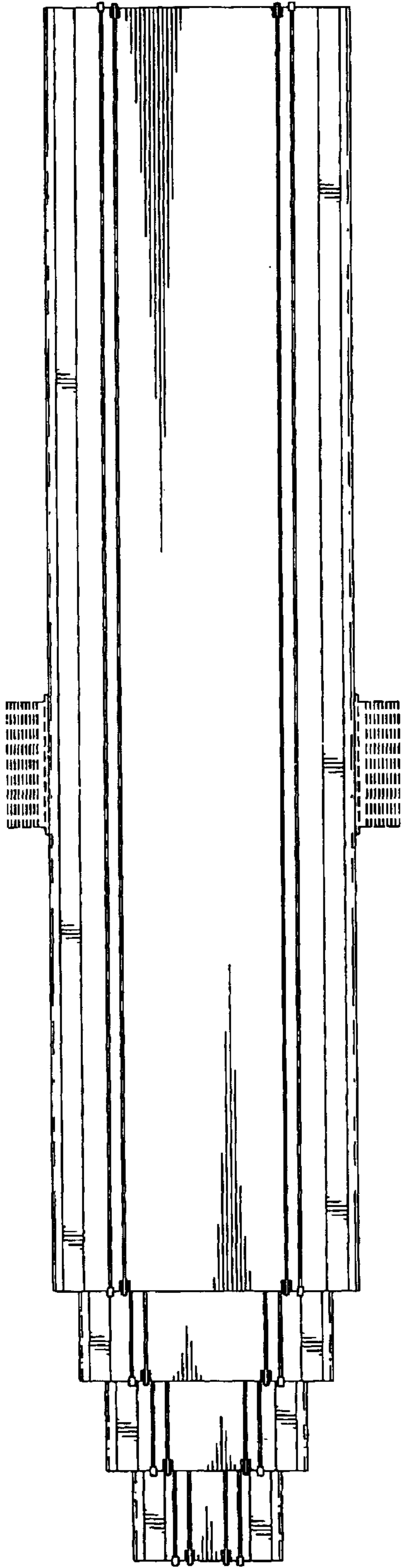


FIG. 13

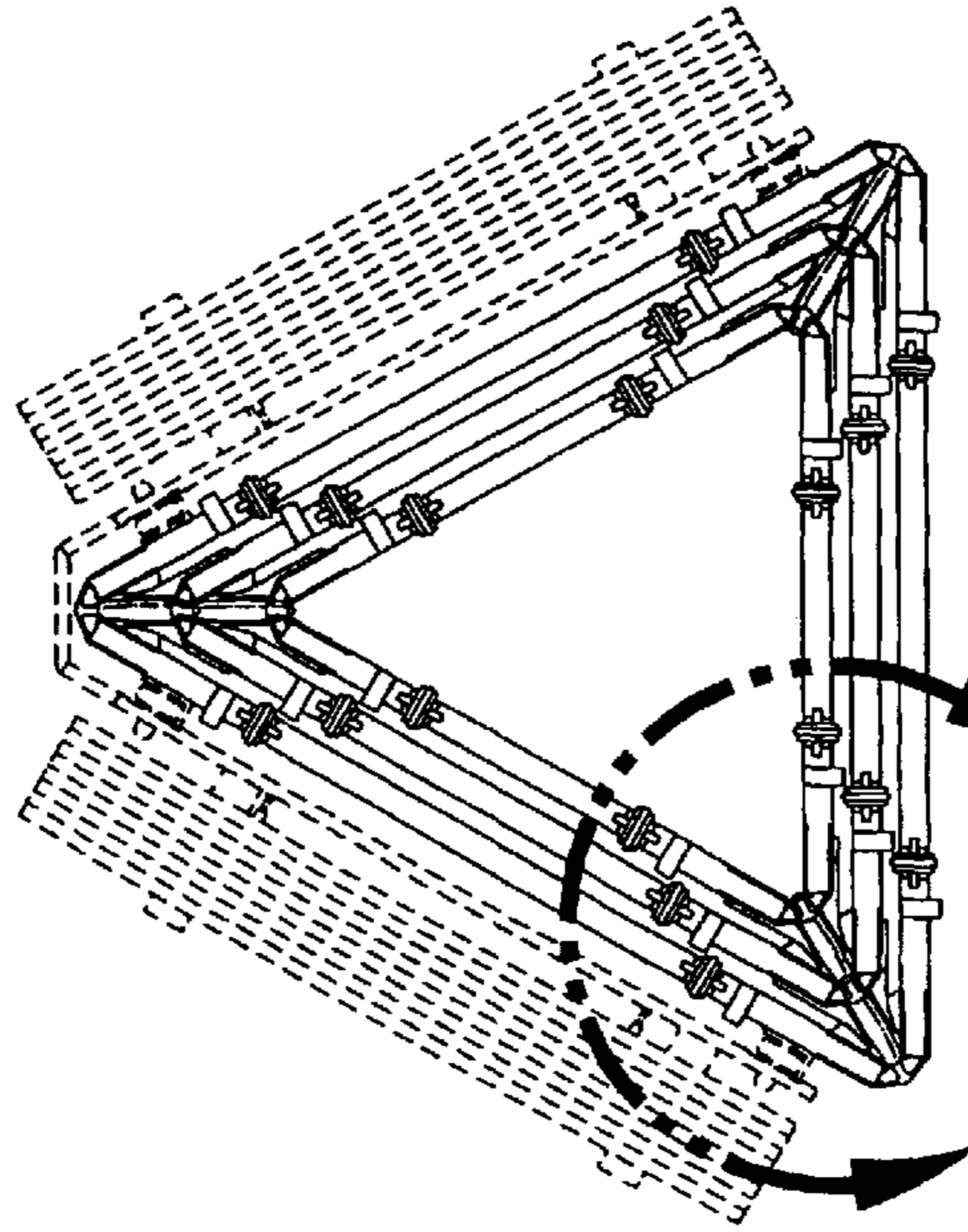


FIG. 15

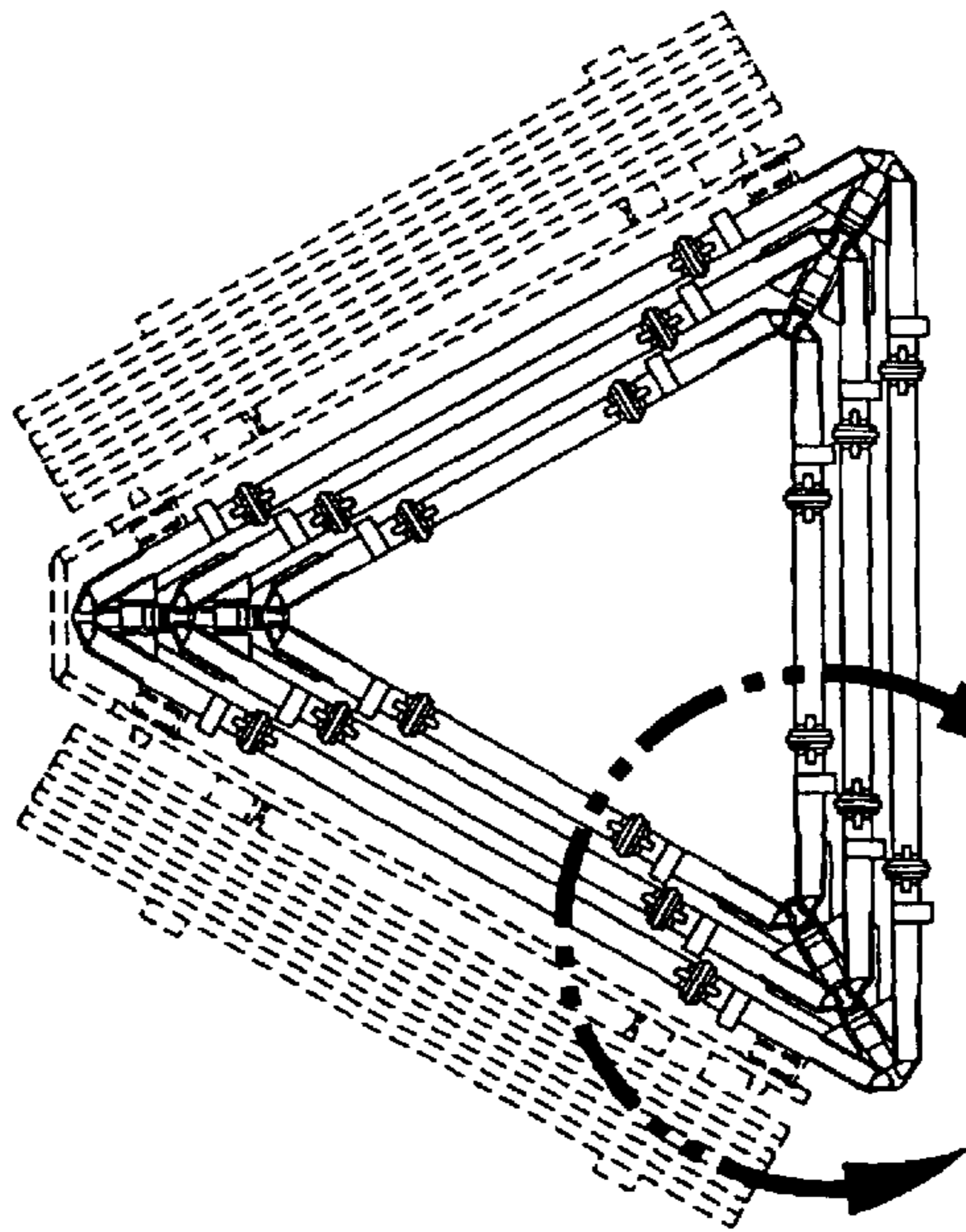


FIG. 17

FIG. 18

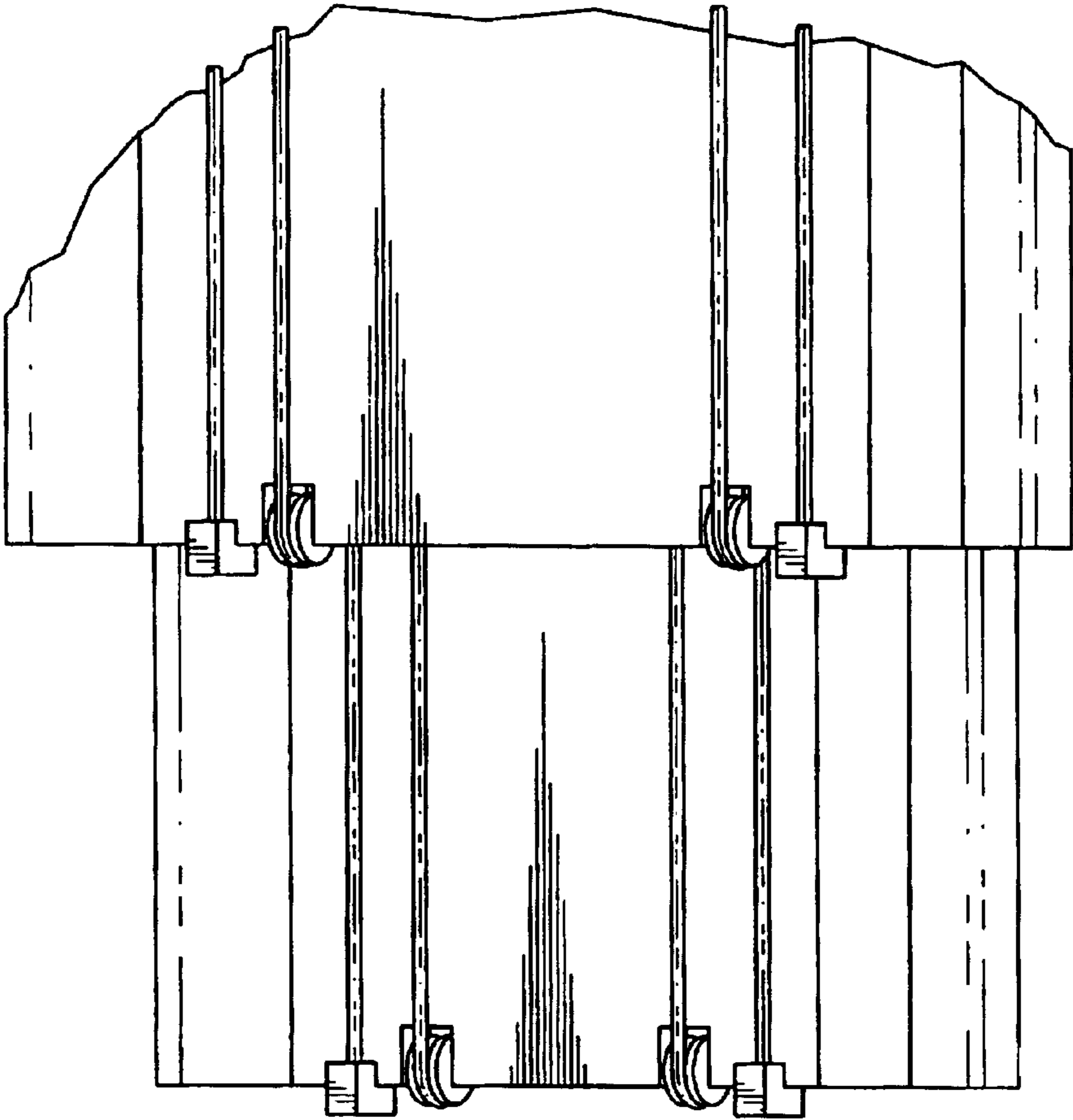


FIG. 16

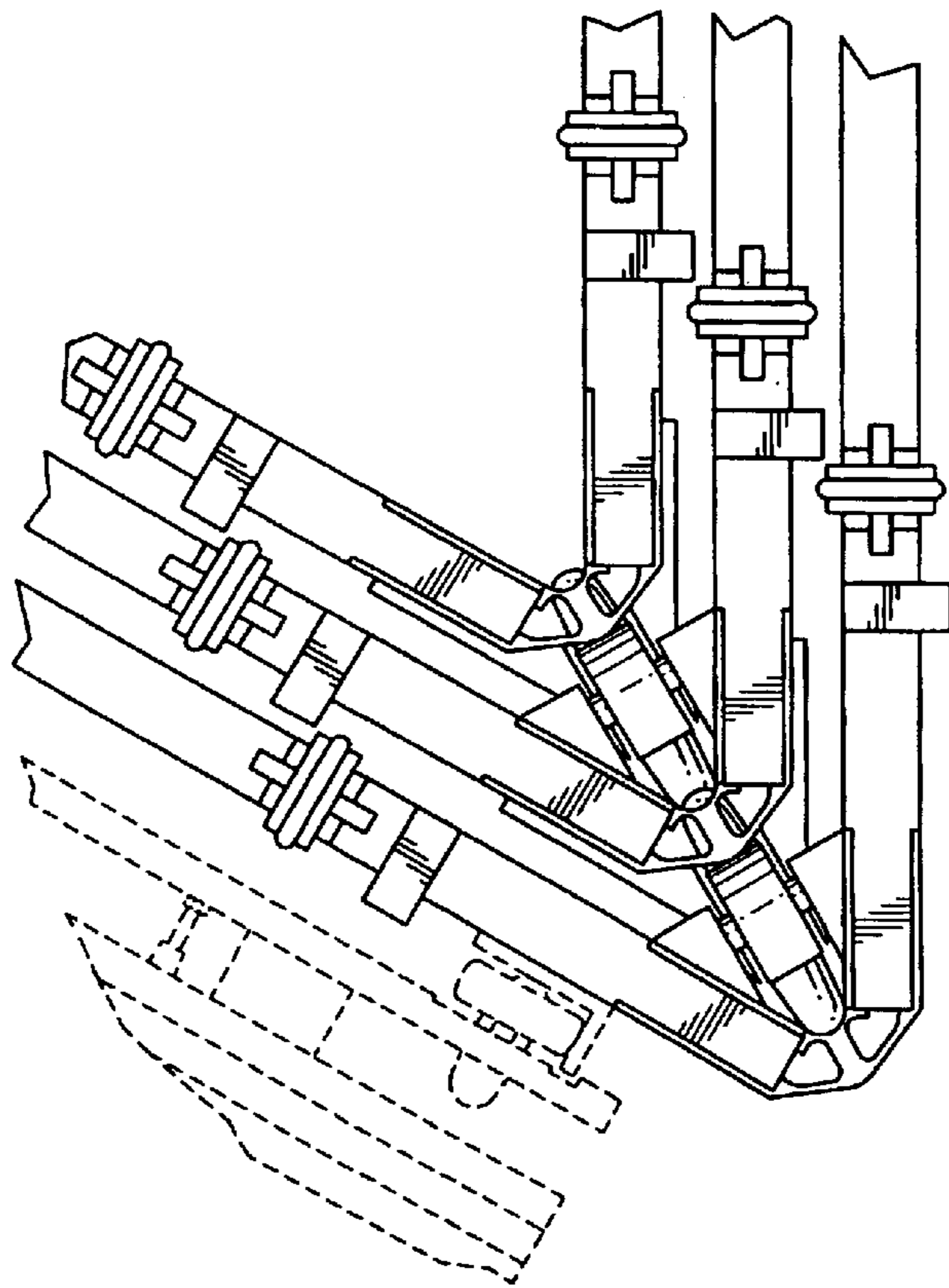


FIG. 17

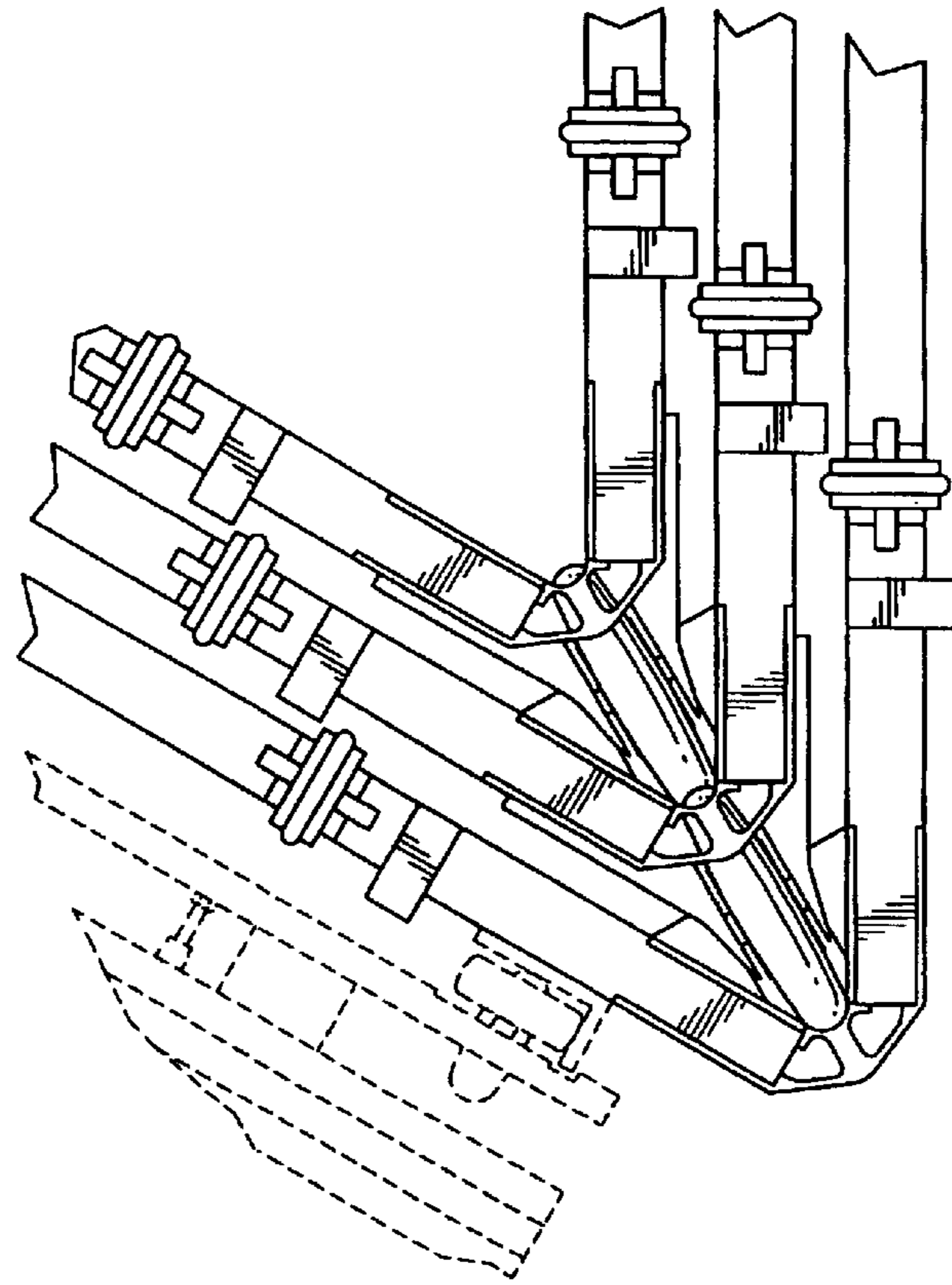


FIG. 18