



US00D539826S

(12) **United States Design Patent**
Tokiwa et al.

(10) **Patent No.:** **US D539,826 S**

(45) **Date of Patent:** **** Apr. 3, 2007**

(54) **CAMERA BODY**

(75) Inventors: **Kentaro Tokiwa**, Asaka (JP); **Takehiko Senba**, Asaka (JP); **Hiroshi Tanaka**, Asaka (JP)

(73) Assignee: **Fuji Photo Film Co., Ltd.**, Kanagawa (JP)

(**) Term: **14 Years**

(21) Appl. No.: **29/235,983**

(22) Filed: **Aug. 10, 2005**

(30) **Foreign Application Priority Data**

Feb. 10, 2005 (JP) 2005-003630

(51) **LOC (8) Cl.** **16-05**

(52) **U.S. Cl.** **D16/219; D16/134**

(58) **Field of Classification Search** D16/134,
D16/136, 200, 202, 209, 218, 219; 348/373-376;
358/909.1; 359/815, 819, 826-828; 396/529-532,
396/535, 540, 541, 544

See application file for complete search history.

(56) **References Cited**

U.S. PATENT DOCUMENTS

D178,767 S * 9/1956 De Grave D16/134

D248,766 S * 8/1978 Arai D16/134

4,330,192 A * 5/1982 Shimizu 396/529

D412,922 S * 8/1999 Sekine D16/219

6,089,761 A * 7/2000 Sakurai 396/531

D448,039 S * 9/2001 Horikiri D16/209

D478,110 S * 8/2003 Nasu D16/219

* cited by examiner

Primary Examiner—Adir Aronovich

(74) *Attorney, Agent, or Firm*—Young & Thompson

(57) **CLAIM**

The ornamental design for a camera body, as shown and described.

DESCRIPTION

FIG. 1 is a top, front and side perspective view of a camera body showing our new design;

FIG. 2 is a front elevational view thereof;

FIG. 3 is a view similar to FIG. 1, but with the parts in a different position; and,

FIG. 4 is a top, front and side perspective view thereof, the broken line showing of a lens body and camera housing are included to illustrate the environment only and forms no part of the claimed design.

The portions of the camera body in broken lines are shown for illustrative purposes only and form no part of the claimed design.

1 Claim, 3 Drawing Sheets

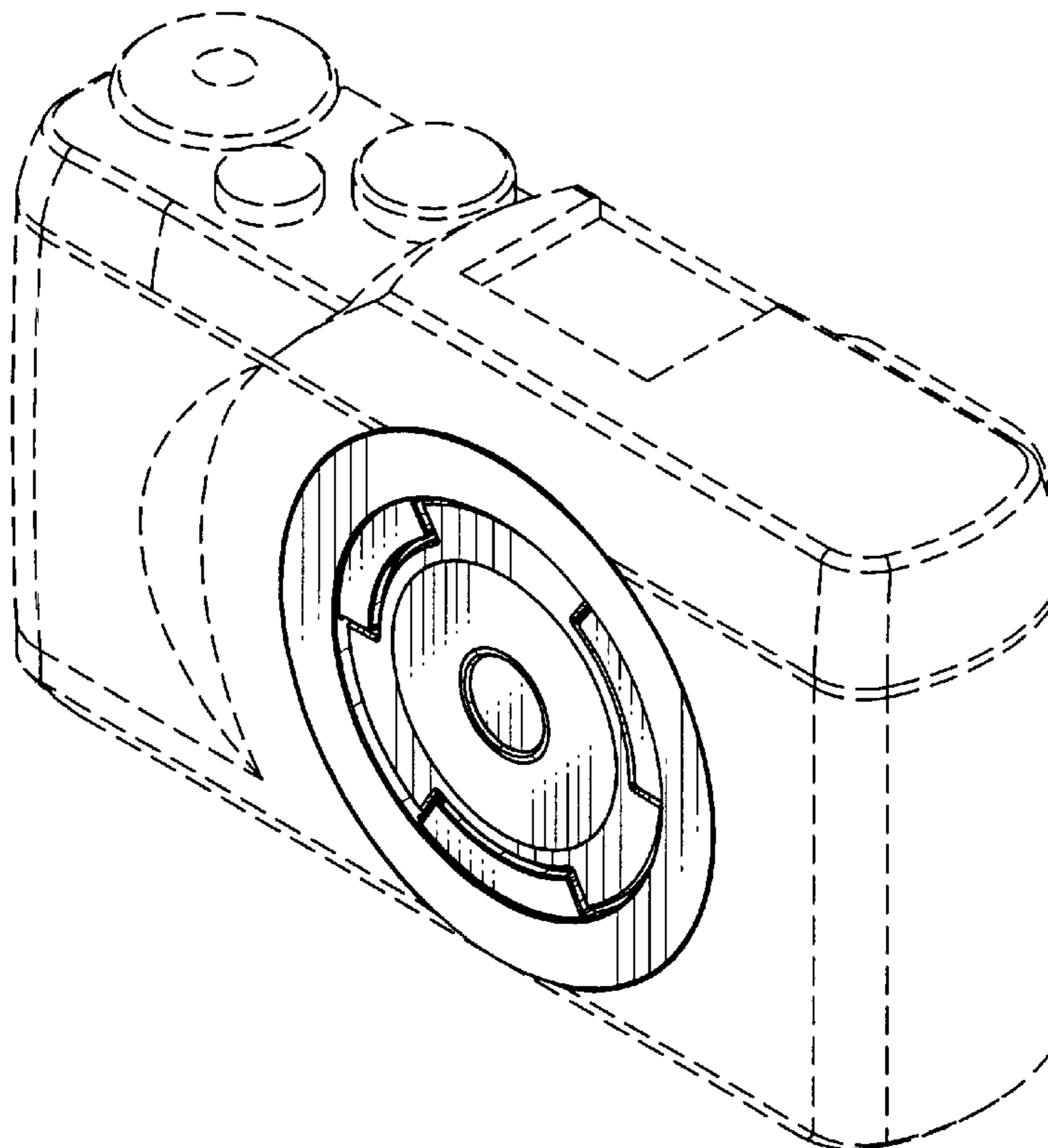


FIG. 1

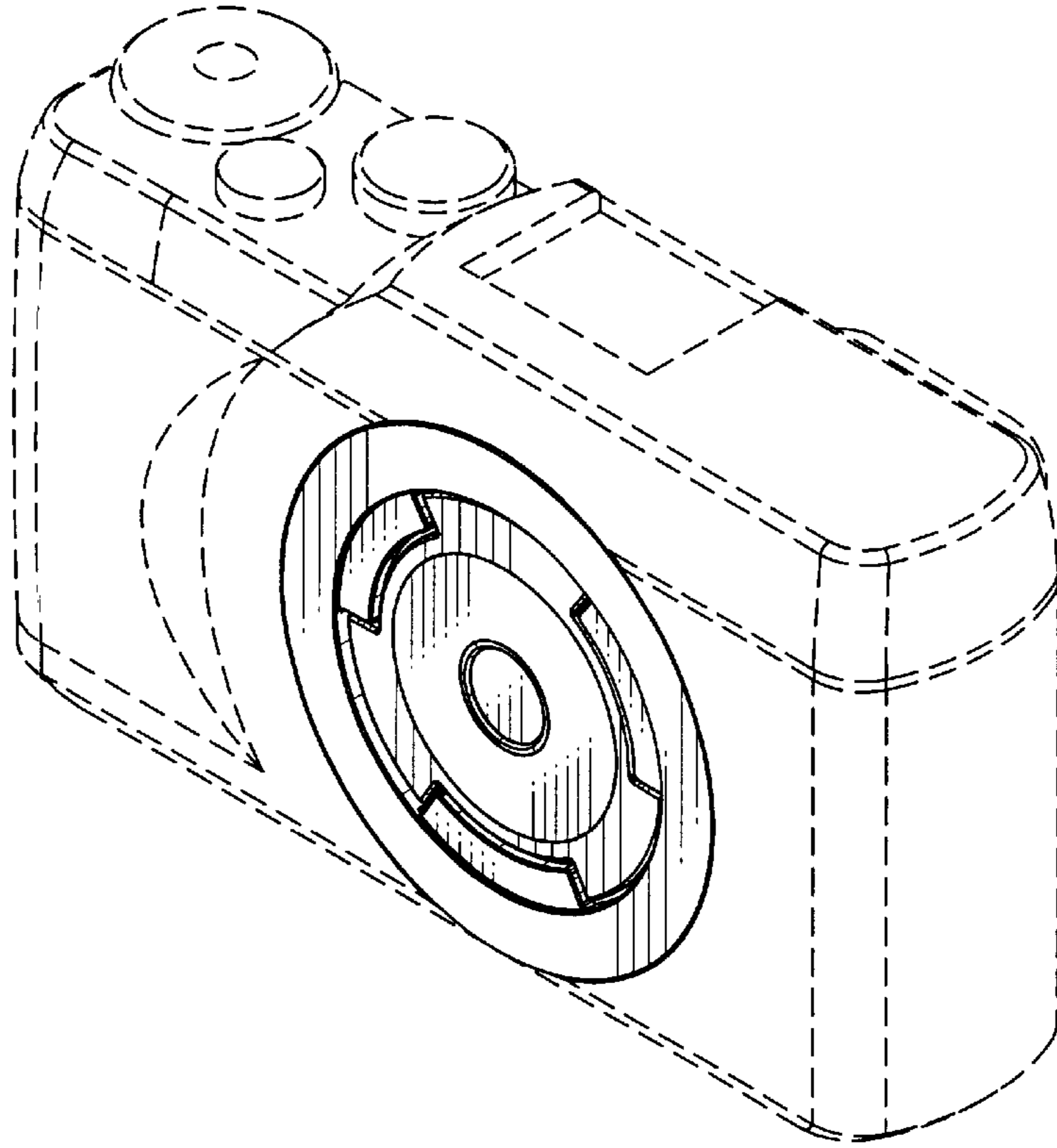


FIG. 2

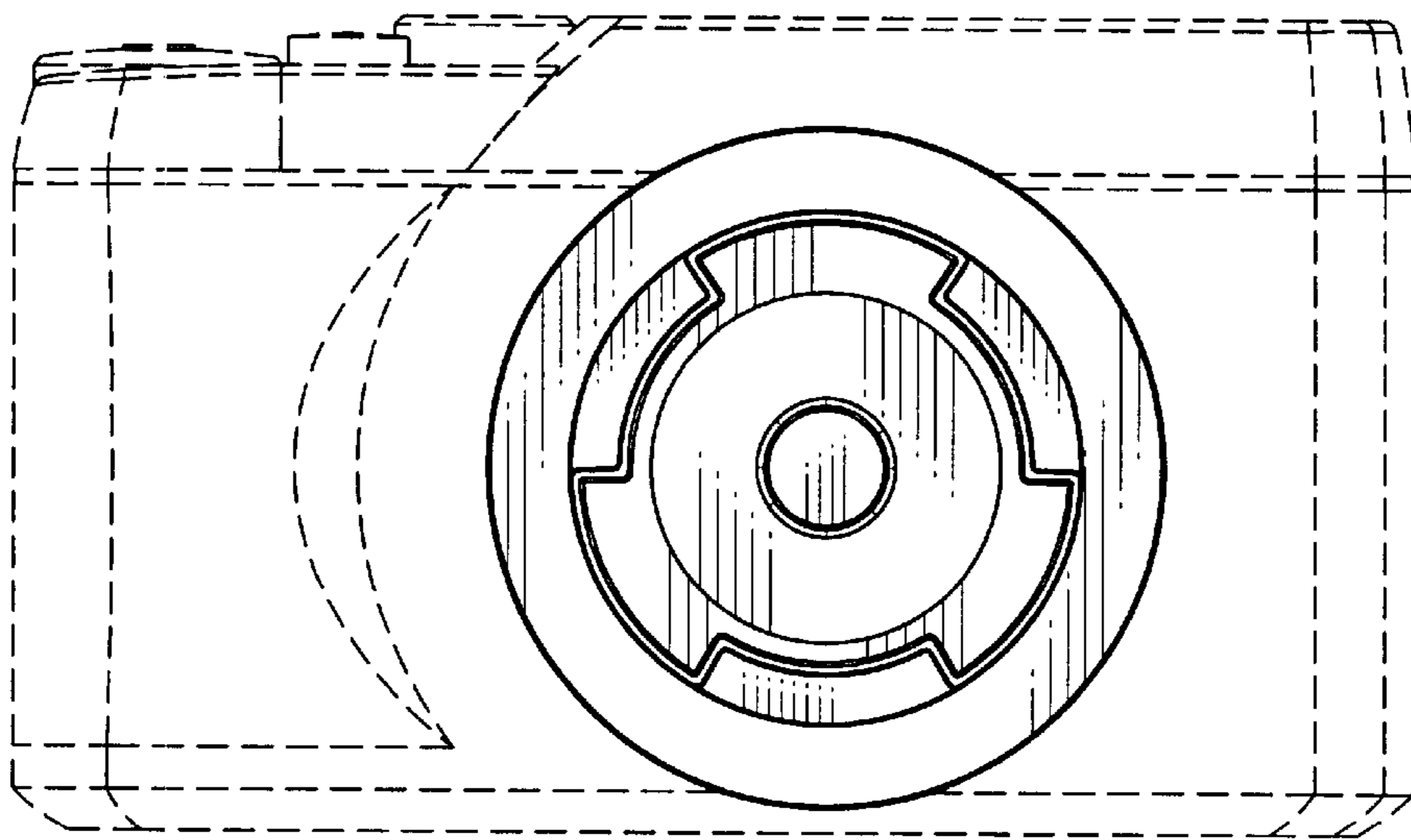


FIG. 3

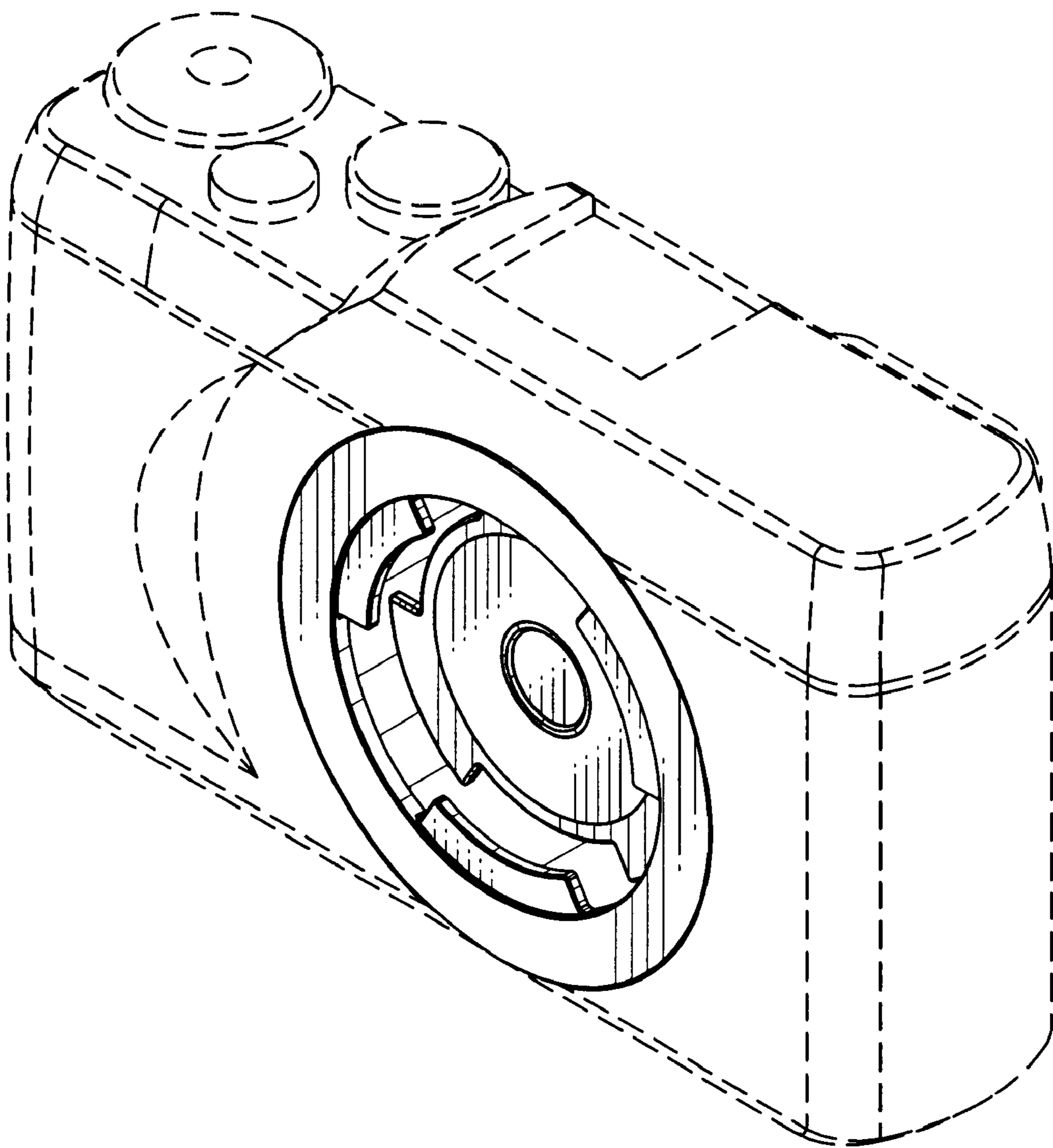


FIG.4

