



US00D539825S

(12) **United States Design Patent**
Tokiwa et al.

(10) **Patent No.:** **US D539,825 S**

(45) **Date of Patent:** **** Apr. 3, 2007**

(54) **CAMERA BODY**

(75) Inventors: **Kentaro Tokiwa**, Saitama (JP);
Takehiko Senba, Saitama (JP); **Hiroshi Tanaka**, Saitama (JP)

(73) Assignee: **Fuji Photo Film Co., Ltd.**, Kanagawa (JP)

(**) Term: **14 Years**

(21) Appl. No.: **29/235,981**

(22) Filed: **Aug. 10, 2005**

(30) **Foreign Application Priority Data**

Feb. 10, 2005 (JP) 2005-003628

(51) **LOC (8) Cl.** **16-05**

(52) **U.S. Cl.** **D16/219; D16/134**

(58) **Field of Classification Search** D16/134,
D16/136, 200, 202, 209, 218, 219; 348/373-376;
358/909.1; 359/815, 819, 826-828; 396/529-532,
396/535, 540, 541, 544

See application file for complete search history.

(56) **References Cited**

U.S. PATENT DOCUMENTS

4,330,192 A * 5/1982 Shimizu 396/529

4,357,090 A * 11/1982 Araki 396/529
D302,984 S * 8/1989 Kimura et al. D16/134
6,089,761 A * 7/2000 Sakurai 359/828
D510,945 S * 10/2005 Do D16/134
D529,258 S * 10/2006 Naito D16/219

* cited by examiner

Primary Examiner—Adir Aronovich

(74) *Attorney, Agent, or Firm*—Young & Thompson

(57) **CLAIM**

The ornamental design for a camera body, as shown and described.

DESCRIPTION

FIG. 1 is a top, front and side perspective view of a camera body showing our new design;

FIG. 2 is a front elevational view thereof;

FIG. 3 is a view similar to FIG. 1, but with the parts in a different position; and,

FIG. 4 is a top, front and side perspective view thereof, the broken line showing of a lens body and camera housing are included to illustrate the environment only and forms no part of the claimed design.

The portions of the camera body in broken lines are shown for illustrative purposes only and form no part of the claimed design.

1 Claim, 3 Drawing Sheets

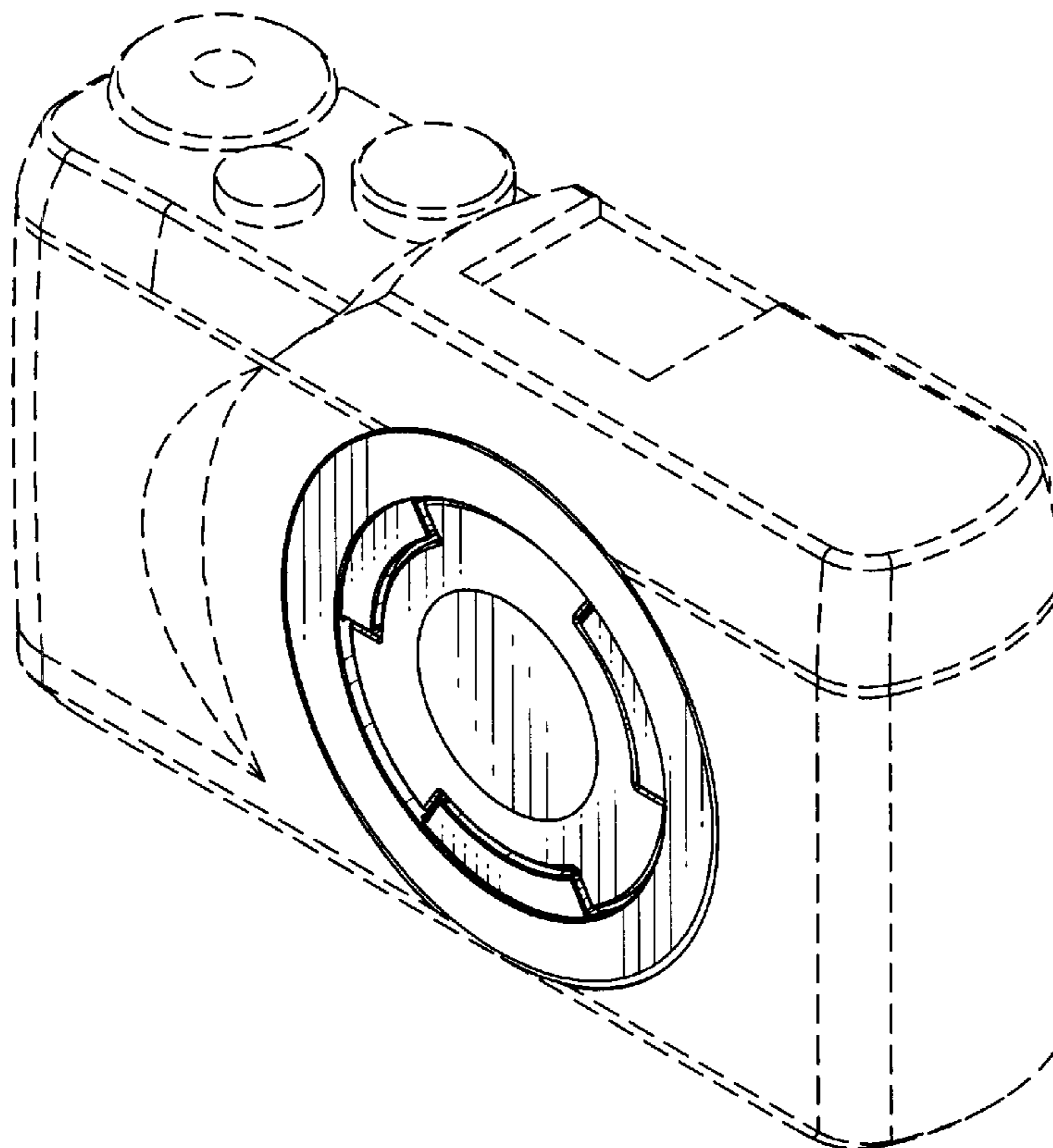


FIG.1

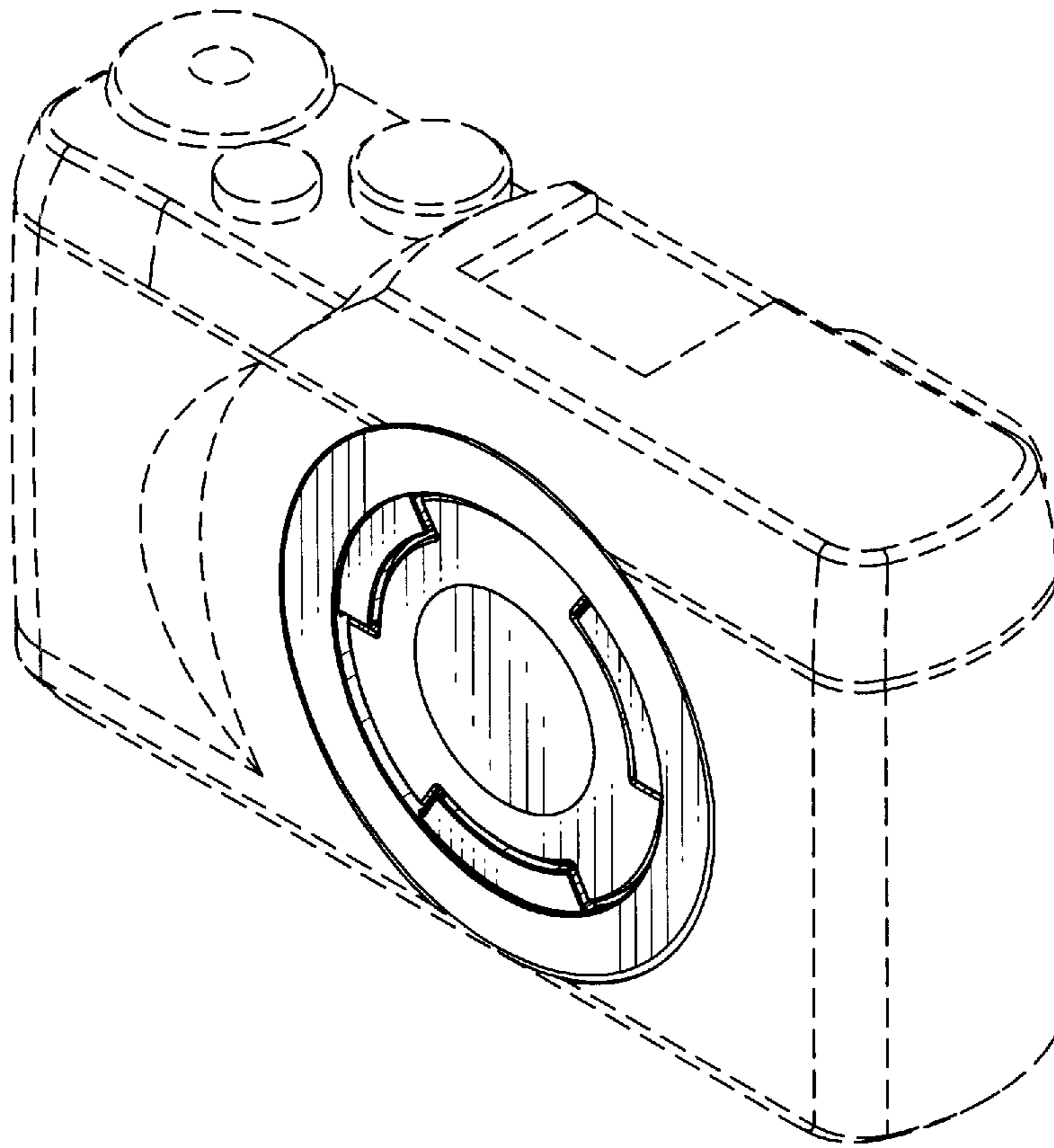


FIG.2

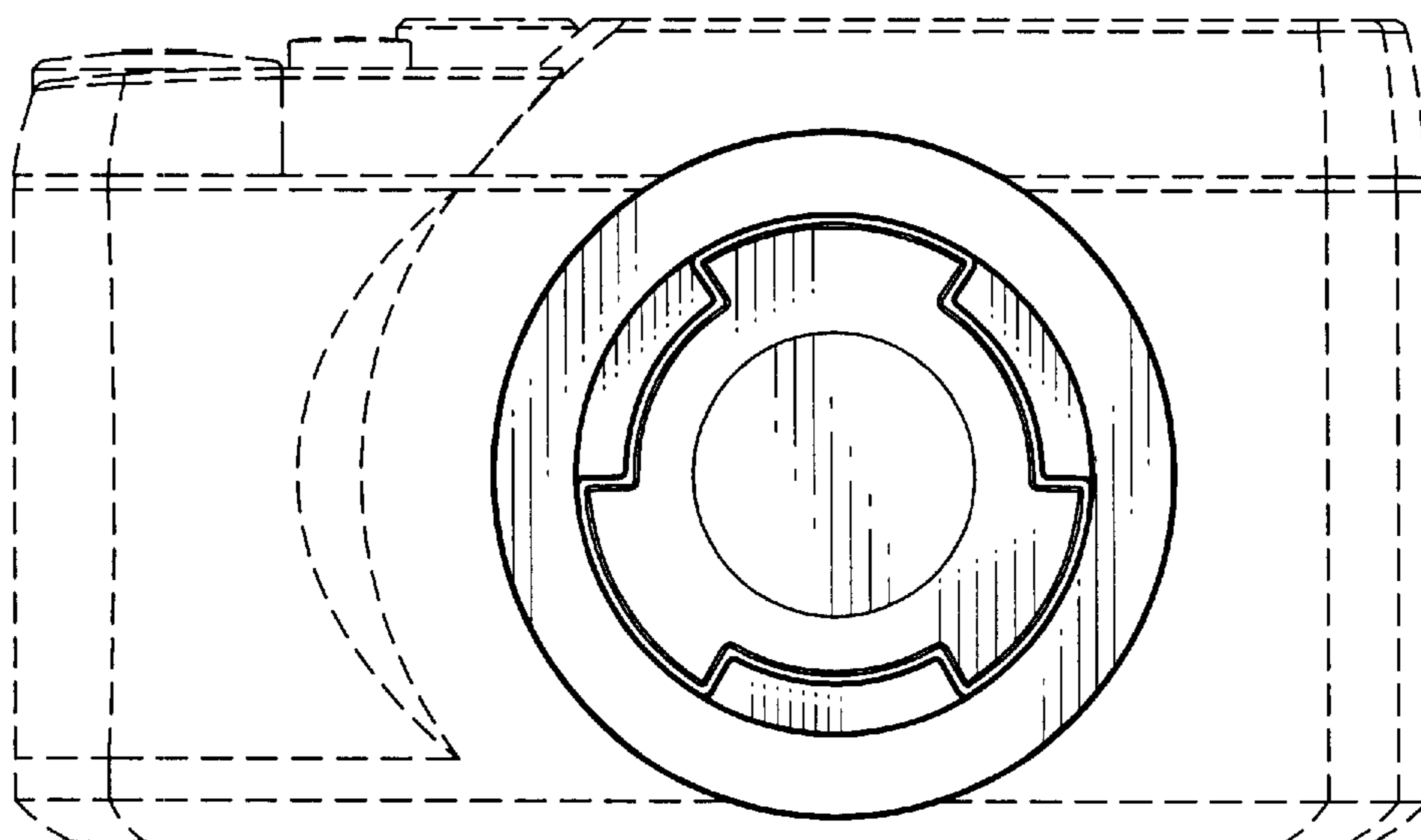


FIG. 3

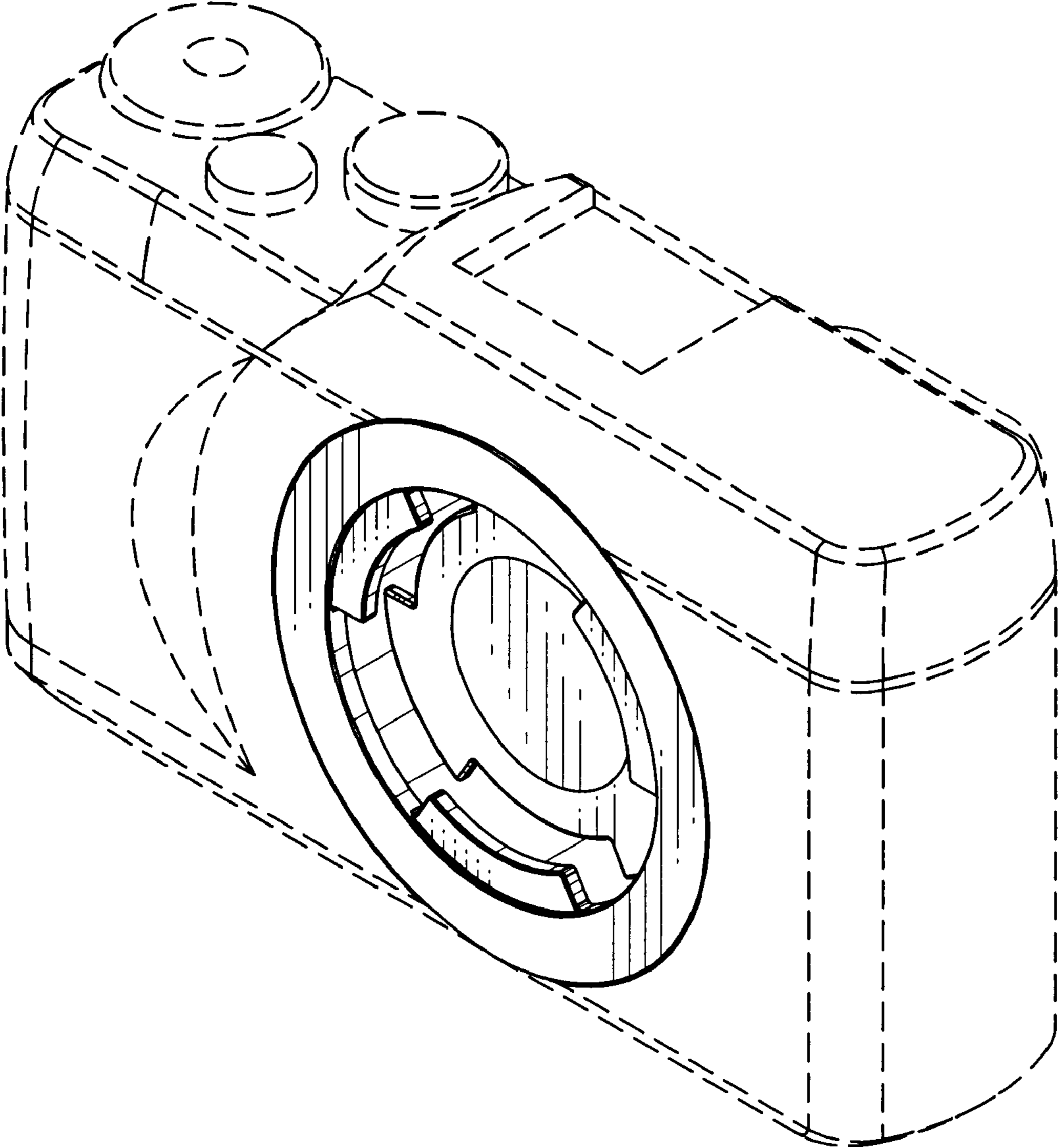


FIG.4

