



US00D539823S

(12) **United States Design Patent** (10) **Patent No.:** **US D539,823 S**  
**Nagayama et al.** (45) **Date of Patent:** **\*\* Apr. 3, 2007**

(54) **DIGITAL CAMERA**

(75) Inventors: **Yosuke Nagayama**, Tokyo (JP);  
**Norihito Hanafusa**, Tokyo (JP)

(73) Assignee: **Casio Keisanki Kabushiki Kaisha**,  
Tokyo (JP)

(\*\*) Term: **14 Years**

(21) Appl. No.: **29/226,953**

(22) Filed: **Apr. 5, 2005**

(51) **LOC (8) Cl.** ..... **16-05**

(52) **U.S. Cl.** ..... **D16/219**

(58) **Field of Classification Search** ..... D16/200–204,  
D16/208, 209, 218–219; 396/535–541; 348/373–376;  
358/906, 909.1

See application file for complete search history.

(56) **References Cited**

**U.S. PATENT DOCUMENTS**

D453,942 S	*	2/2002	Suzuki et al. ....	D16/219
D488,498 S	*	4/2004	Miyashita .....	D16/219
D501,865 S	*	2/2005	Li et al. ....	D16/219
D502,484 S	*	3/2005	Nagayama et al. ....	D16/219
D502,485 S	*	3/2005	Nagayama .....	D16/219
D502,723 S	*	3/2005	Nagayama et al. ....	D16/219
D505,685 S	*	5/2005	Yoshida .....	D16/219
D509,235 S	*	9/2005	Imai .....	D16/219
D524,350 S	*	7/2006	Hayamizu .....	D16/219

**OTHER PUBLICATIONS**

Related U.S. Appl. No. 29/226,949, filed Apr. 5, 2005;  
Inventor: M. Ogino et al.

Related U.S. Appl. No. 29/226,951, filed Apr. 5, 2005;  
Inventor: M. Ogino et al.

Related U.S. Appl. No. 29/226,950, filed Apr. 5, 2005;  
Inventor: M. Ogino et al.

Related U.S. Appl. No. 29/226,952, filed Apr. 5, 2005;  
Inventor: M. Ogino et al.

\* cited by examiner

*Primary Examiner*—Ian Simmons

*Assistant Examiner*—W. Laymon

(74) *Attorney, Agent, or Firm*—Frishauf, Holtz, Goodman  
& Chick, P.C.

(57) **CLAIM**

The ornamental design for a digital camera, as shown and described.

**DESCRIPTION**

FIG. 1 is a reduced scale front, right side, top perspective view of a digital camera showing our new design;

FIG. 2 is a front elevational view thereof;

FIG. 3 is a rear elevational view thereof;

FIG. 4 is a left side view thereof;

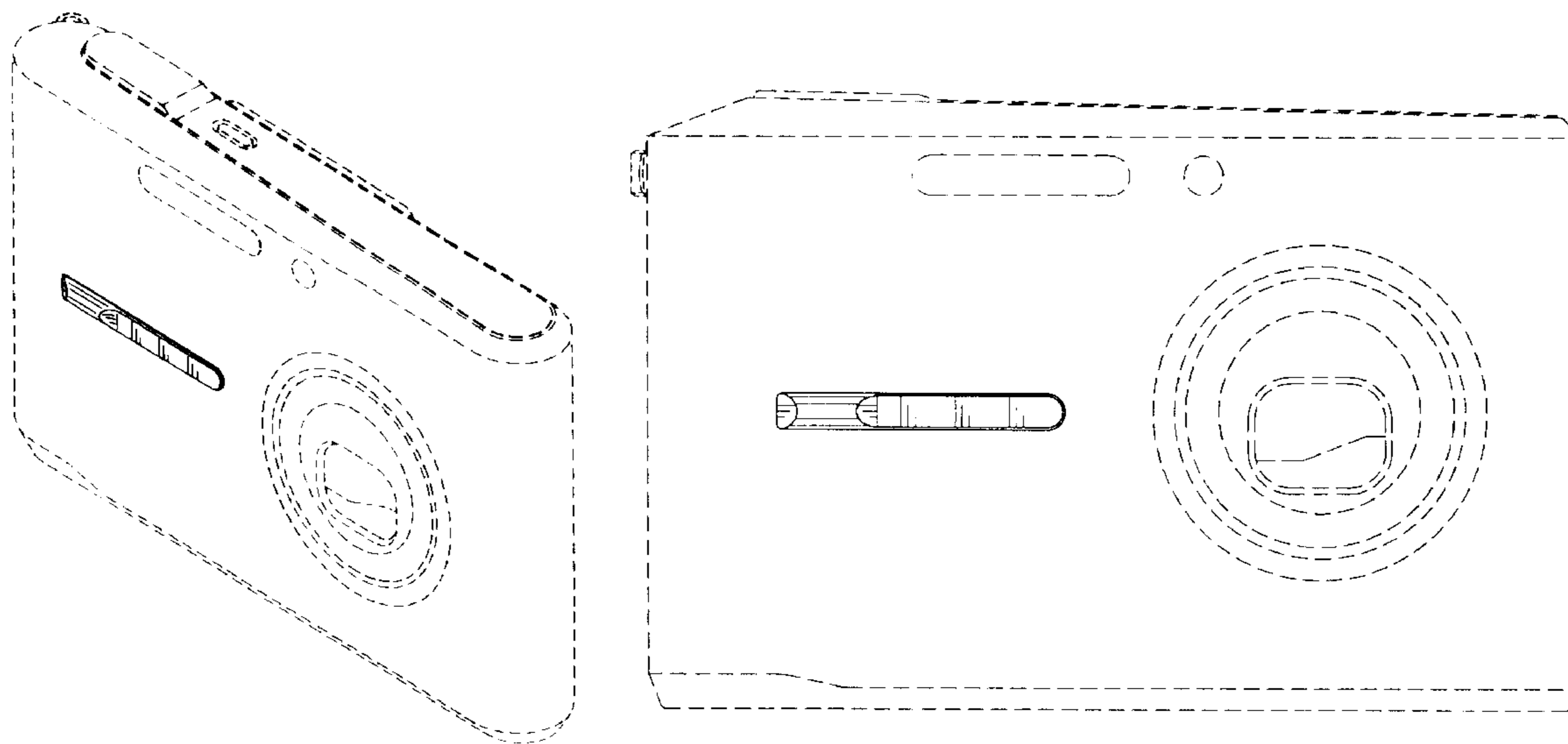
FIG. 5 is a right side view thereof;

FIG. 6 is a top plan view thereof; and,

FIG. 7 is a bottom plan view thereof.

The portions of the digital camera in broken lines are shown for illustrative purposes only and form no part of the claimed design.

**1 Claim, 4 Drawing Sheets**



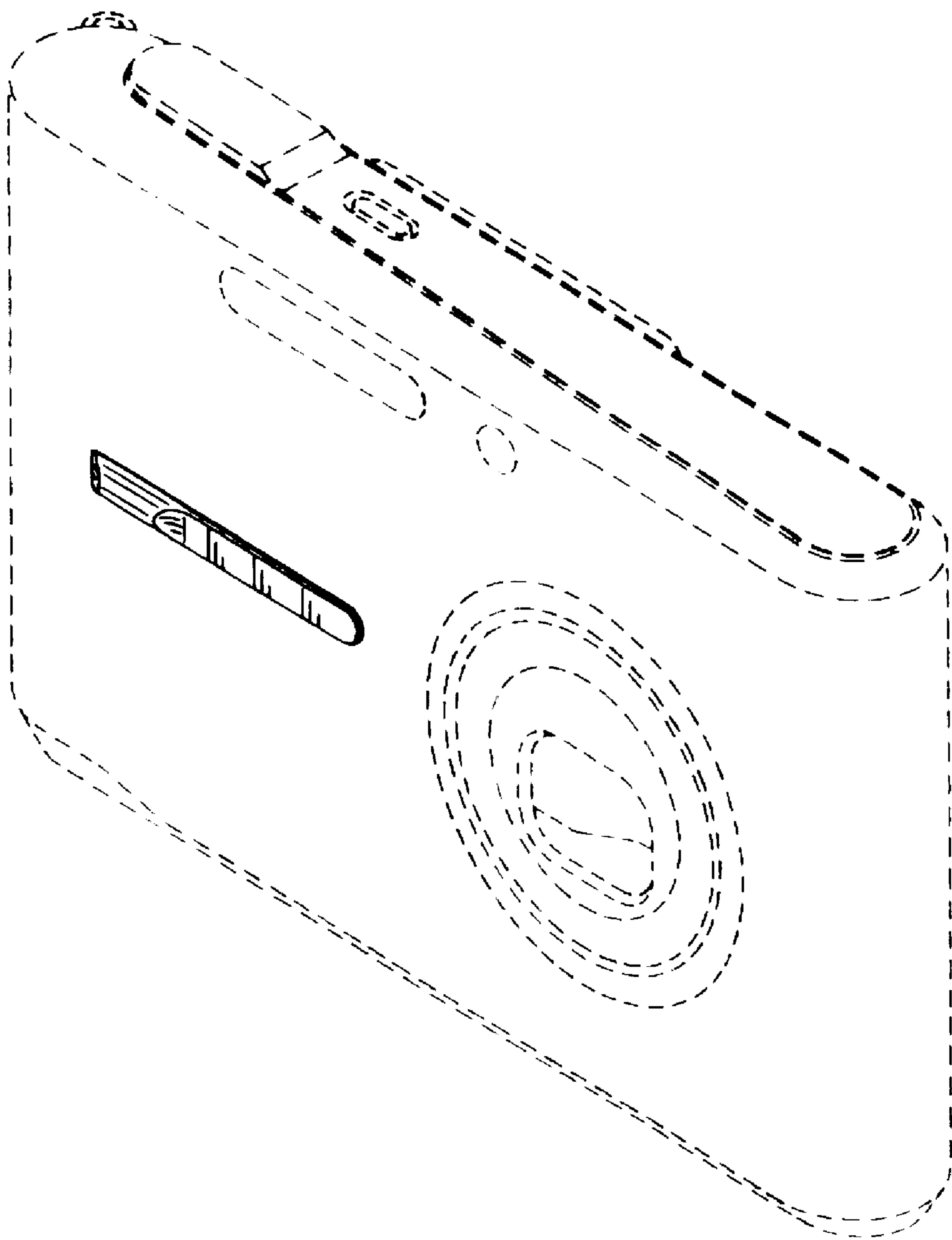


FIG. 1

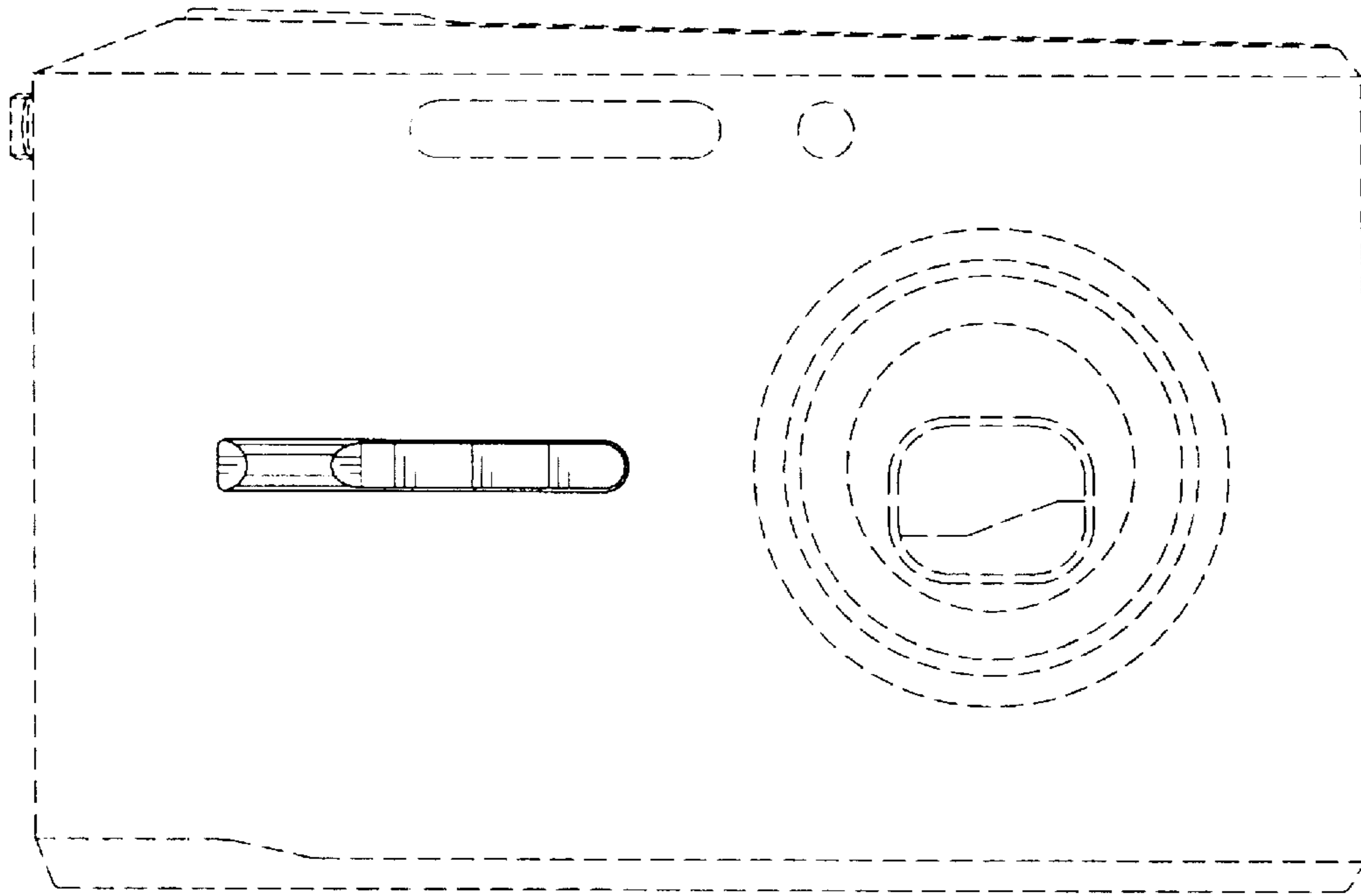


FIG. 2

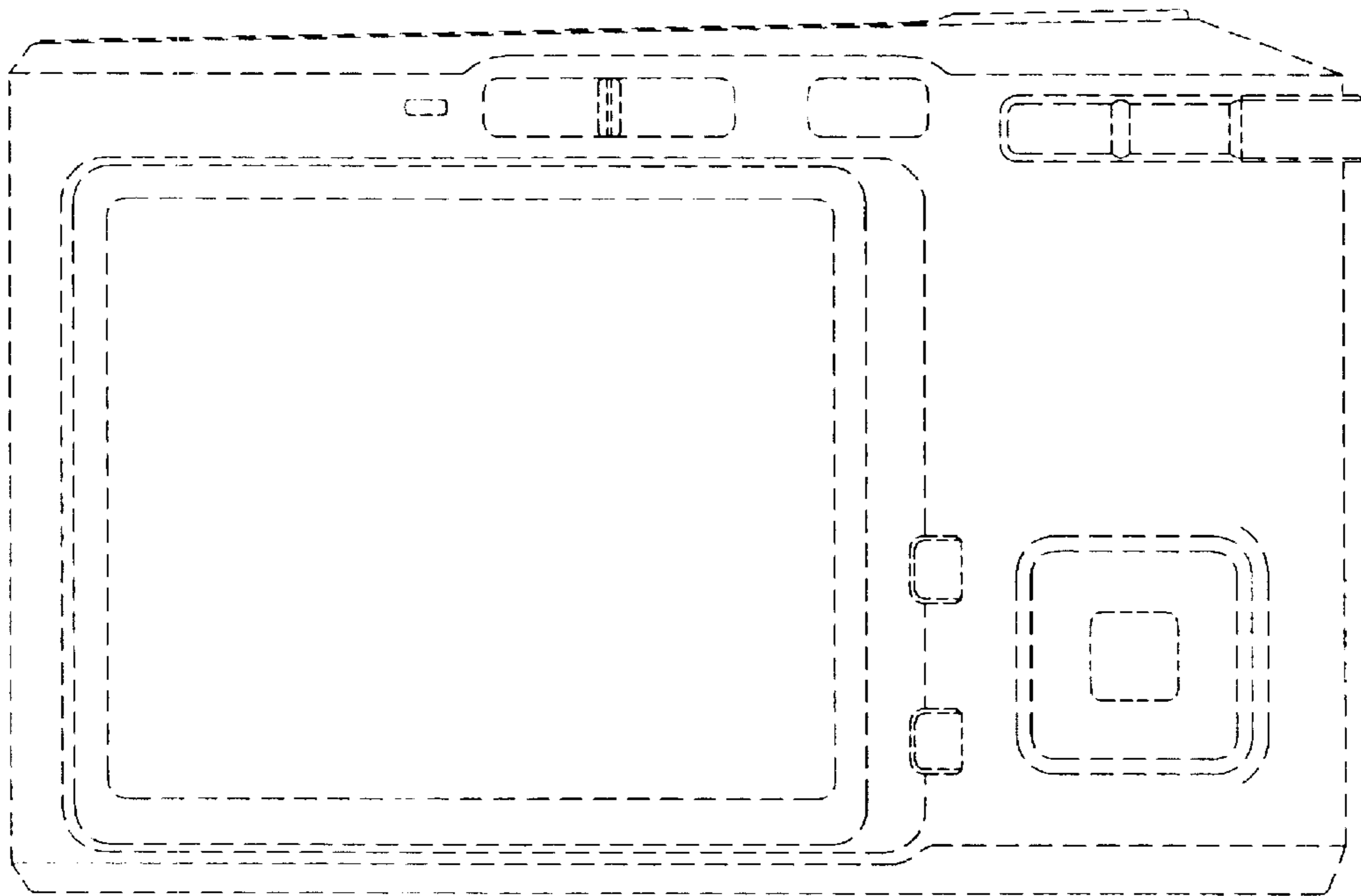


FIG. 3

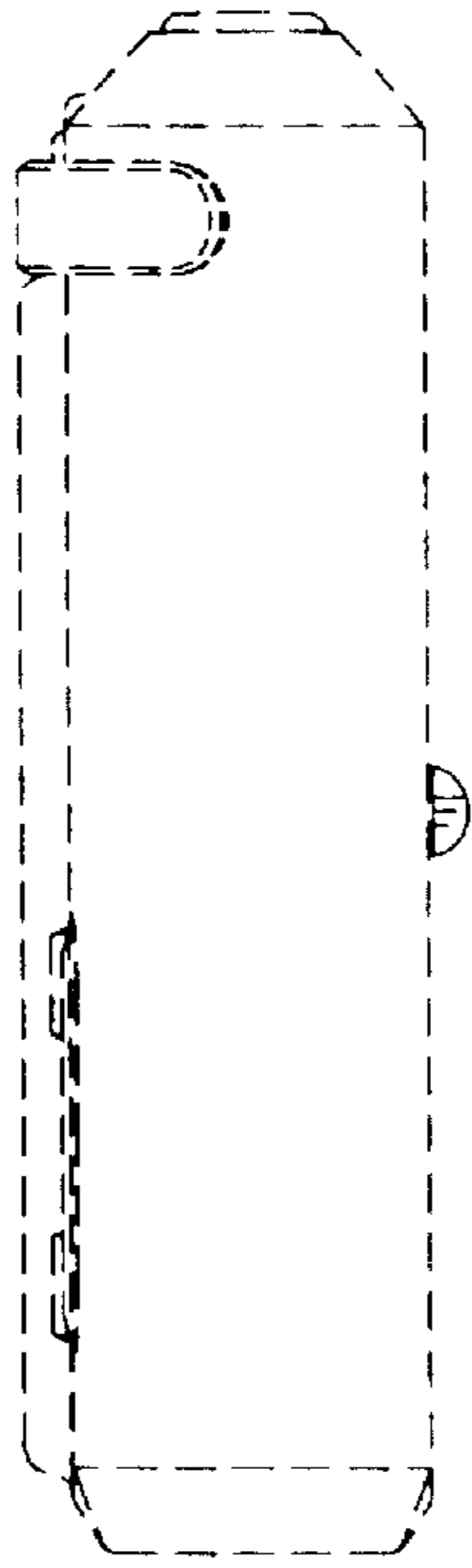


FIG. 4

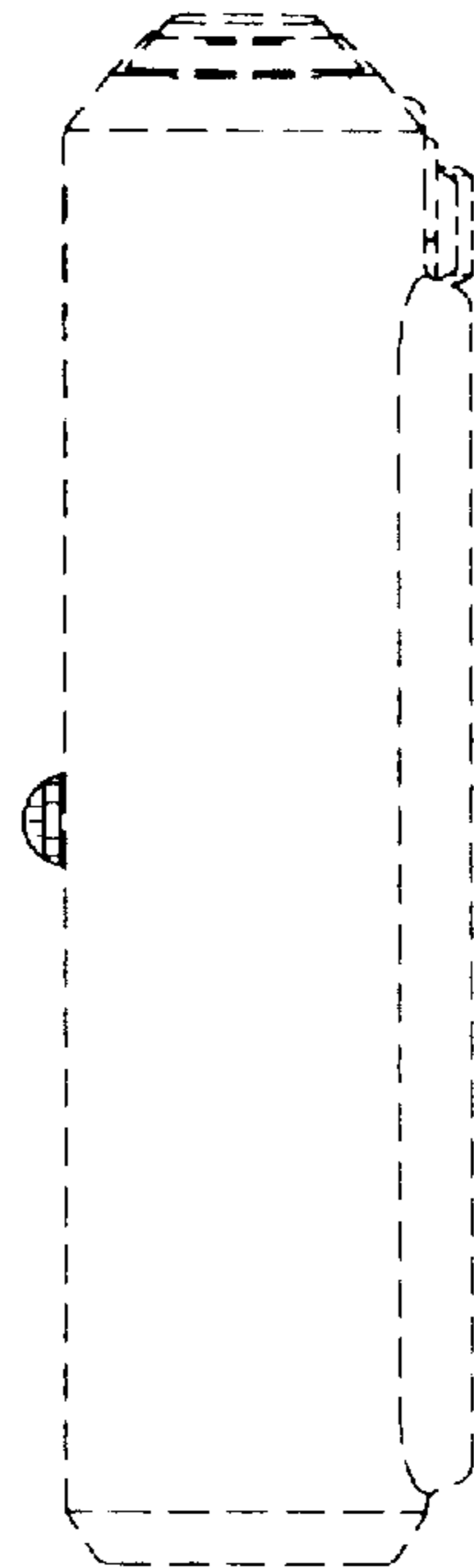


FIG. 5

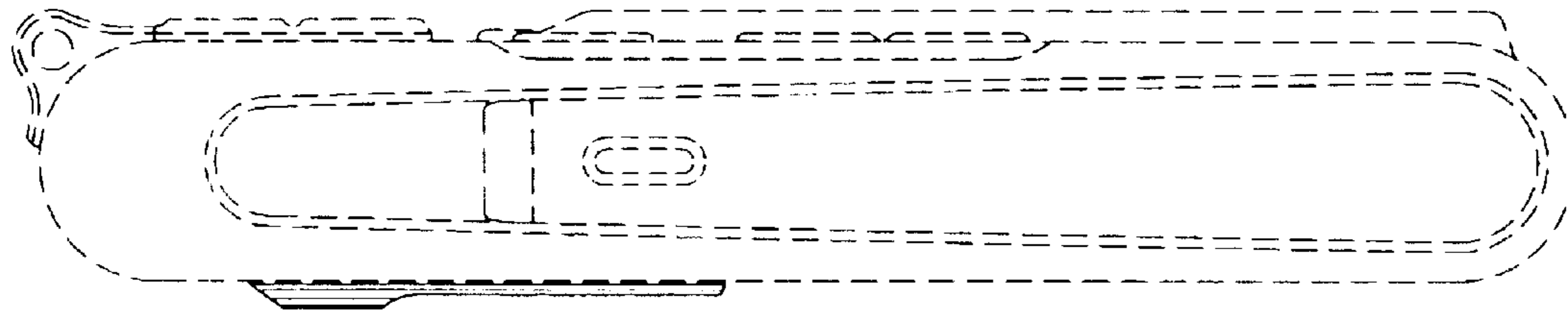


FIG. 6

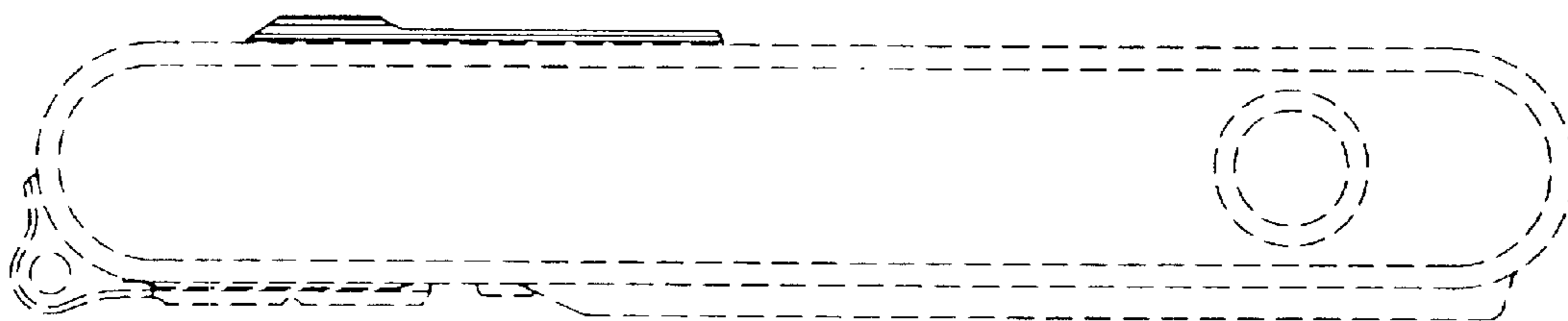


FIG. 7