

US00D539822S

(12) **United States Design Patent** (10) **Patent No.:** **US D539,822 S**  
**Tseng** (45) **Date of Patent:** **\*\* Apr. 3, 2007**

(54) **EXTRACTOR BASKET**

6,848,584 B2 \* 2/2005 Weigelt et al. .... 210/237

(75) Inventor: **Tien-Tsai Tseng, Wu Feng Hsiang**  
(TW)

\* cited by examiner

(73) Assignee: **Chuan Jiing Enterprises Co., Ltd.,**  
Wu Feng Hsiang (TW)

*Primary Examiner*—Antoine D. Davis

*Assistant Examiner*—Patricia Palasik

(74) *Attorney, Agent, or Firm*—Alan D. Kamrath; Nikolai  
& Mersereau, P.A.

(\*\*) Term: **14 Years**

(57) **CLAIM**

(21) Appl. No.: **29/233,154**

The ornamental design for an extractor basket, as shown and described.

(22) Filed: **Jun. 29, 2005**

**DESCRIPTION**

(51) **LOC (8) Cl.** ..... **15-09**

(52) **U.S. Cl.** ..... **D15/150**

(58) **Field of Classification Search** ..... D15/150–152;  
137/565.25; 141/21, 25, 26, 41, 44, 137,  
141/309, 565.25; 184/28; 210/146, 237, 251,  
210/292, 328, 360.1, 365, 367, 368, 380.2,  
210/381, 416.5, 671, 693, 922; 220/571,  
220/571.1; 417/199.1

See application file for complete search history.

FIG. 1 is a perspective view of an extractor basket, showing my new design;

FIG. 2 is a front view thereof;

FIG. 3 is a rear view thereof;

FIG. 4 is a left view thereof;

FIG. 5 is a right view thereof;

FIG. 6 is top view thereof;

FIG. 7 is a bottom view thereof;

FIG. 8 is an operational perspective view showing the claimed design in FIG. 1; and,

FIG. 9 is an operational perspective view showing the claimed design in FIG. 1.

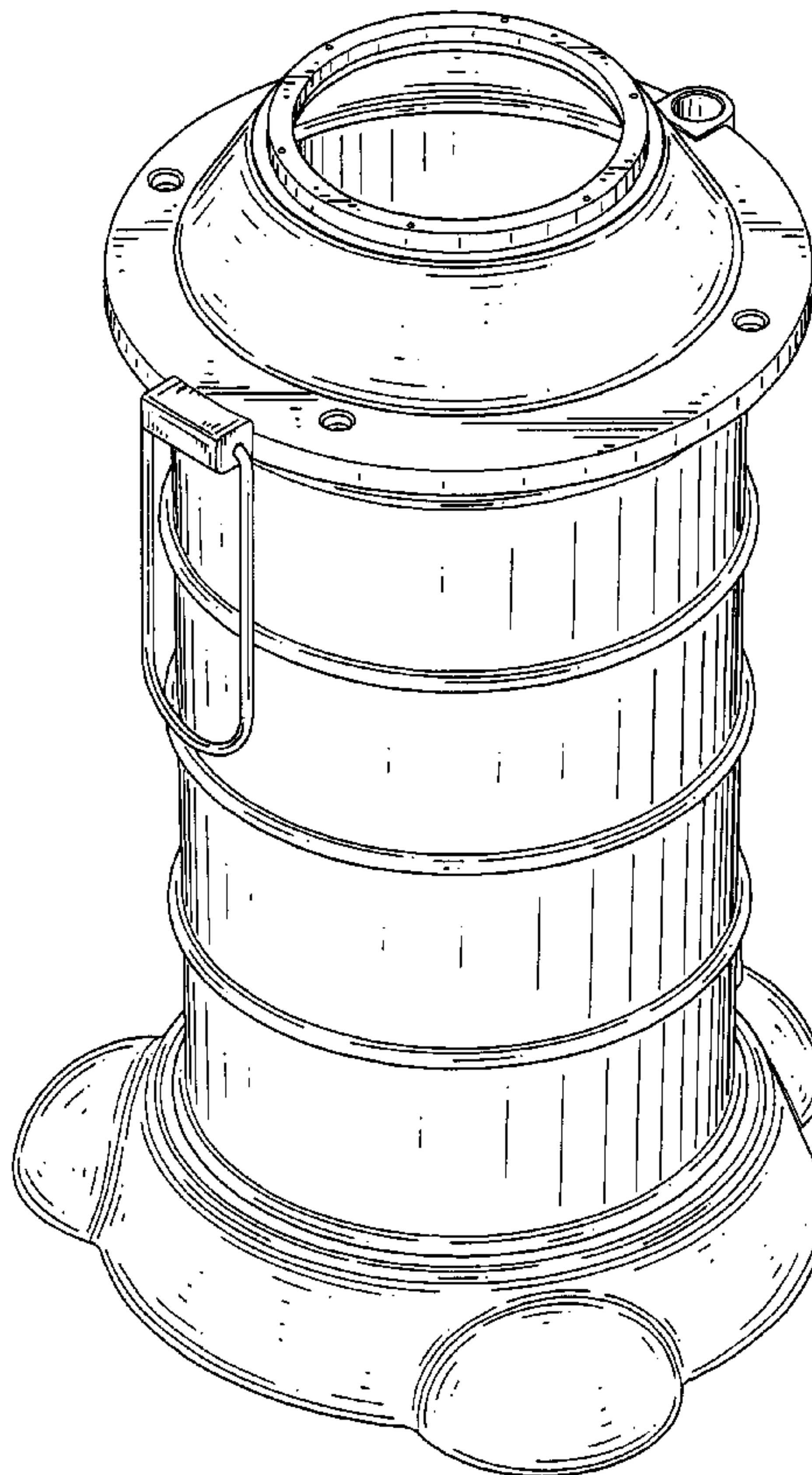
The broken line showing in FIGS. 8 and 9 of the extractor device is included for the purpose of illustrating environmental structure and forms no part of the claimed design.

(56) **References Cited**

**U.S. PATENT DOCUMENTS**

- 3,263,818 A \* 8/1966 Gedrich ..... 210/416.5  
D224,043 S \* 6/1972 Billos ..... D15/152  
5,450,924 A \* 9/1995 Tseng ..... 141/65  
6,357,492 B1 \* 3/2002 Hsu ..... 141/26

**1 Claim, 6 Drawing Sheets**



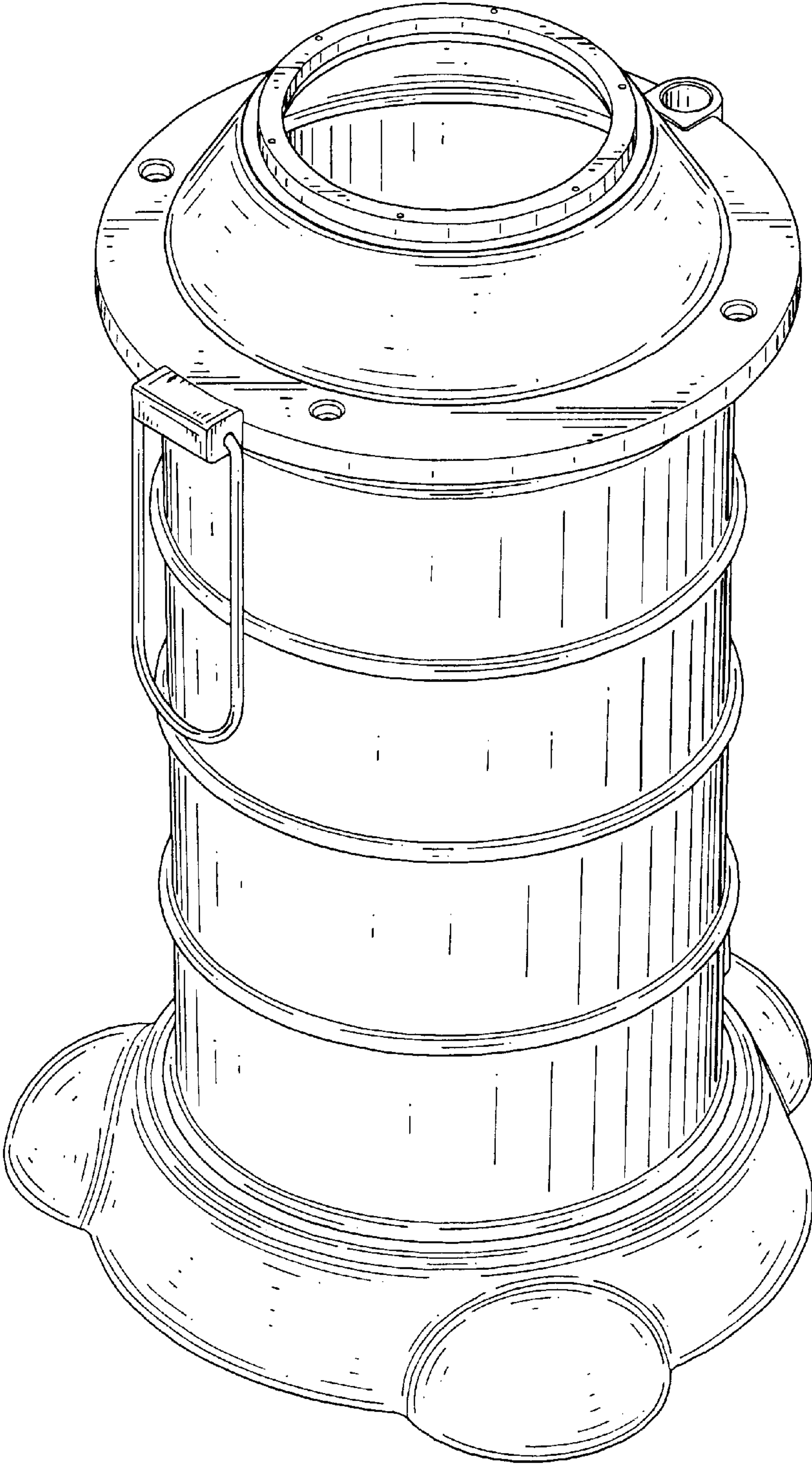


FIG.1

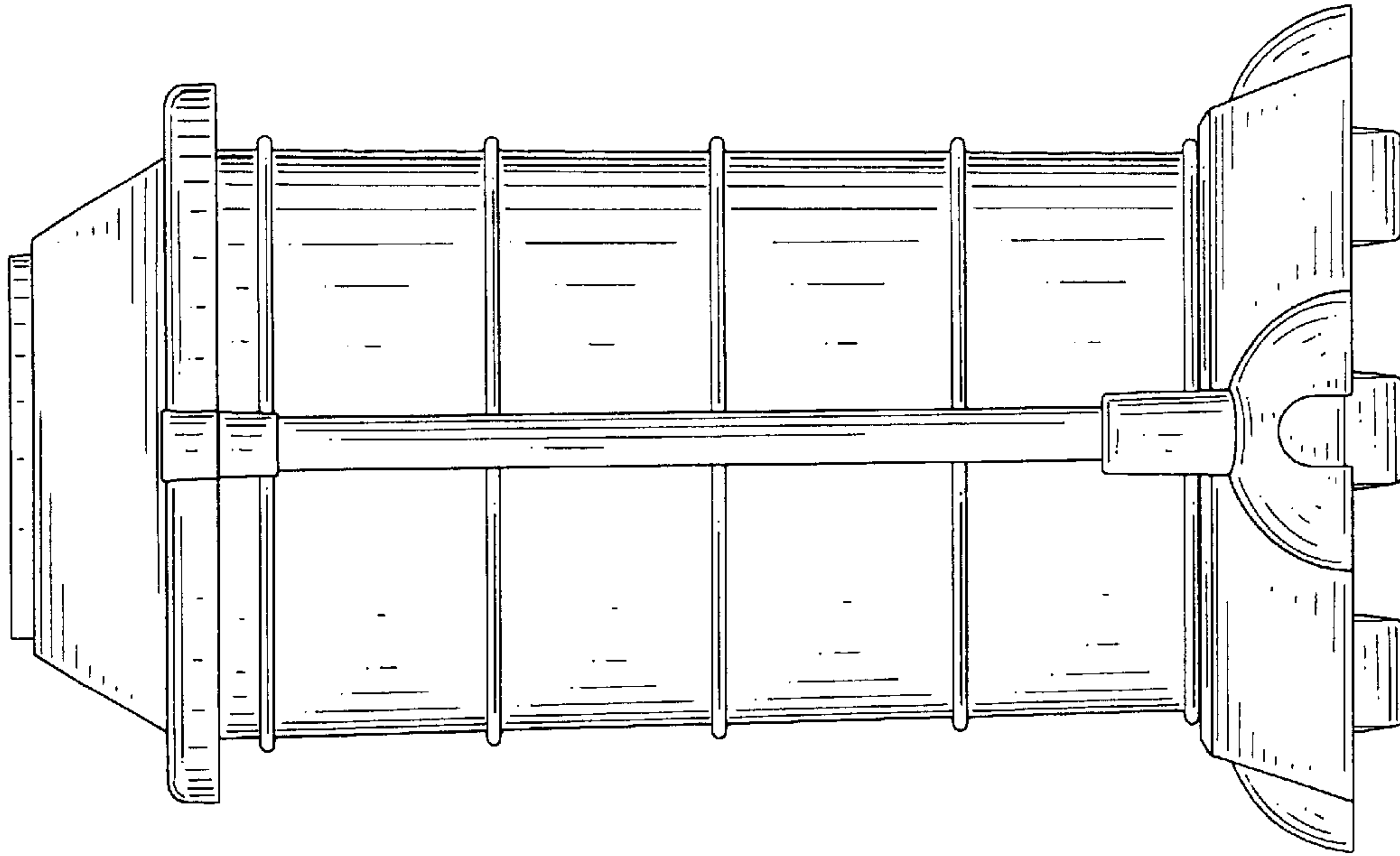


FIG.3

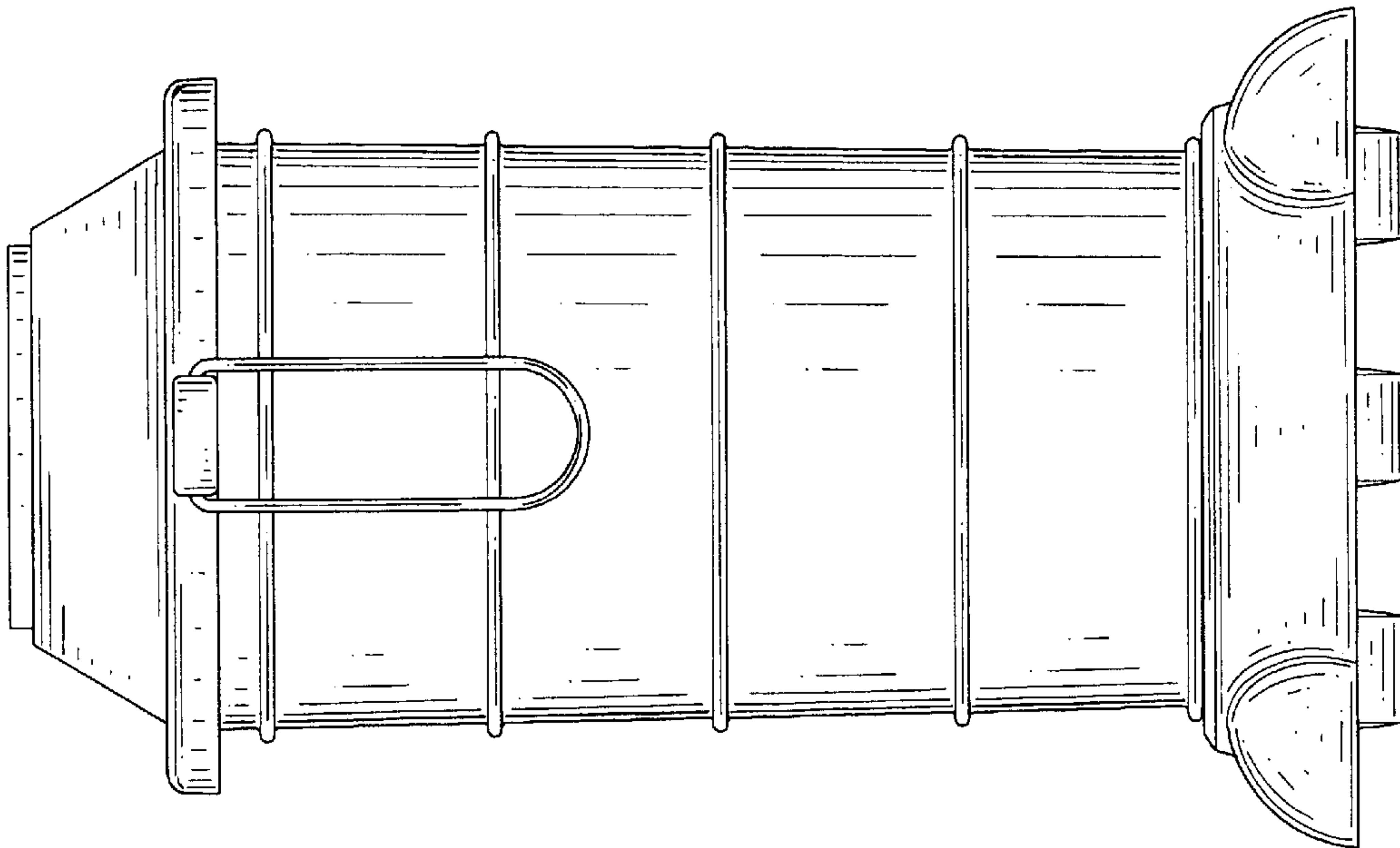


FIG.2

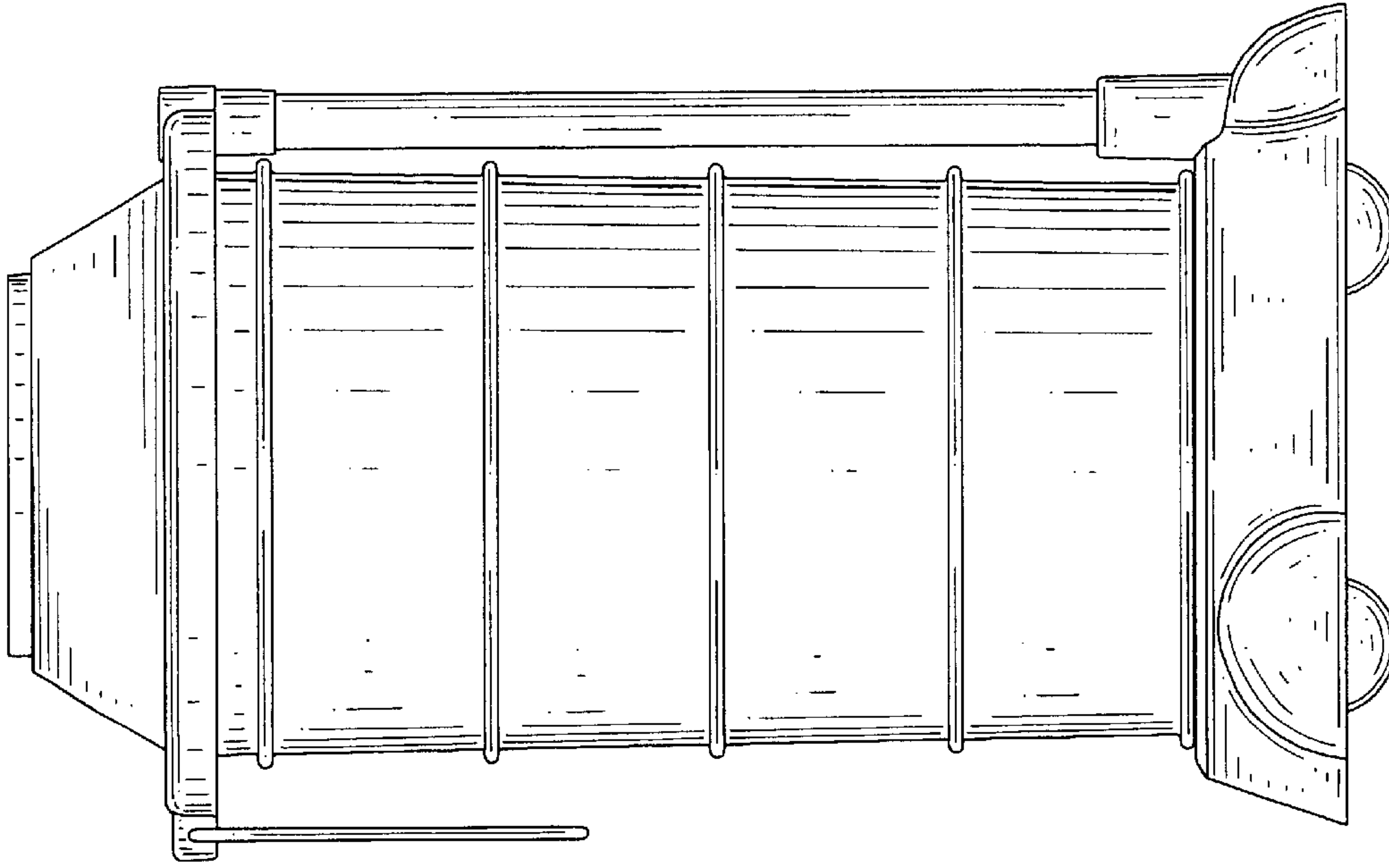


FIG. 5

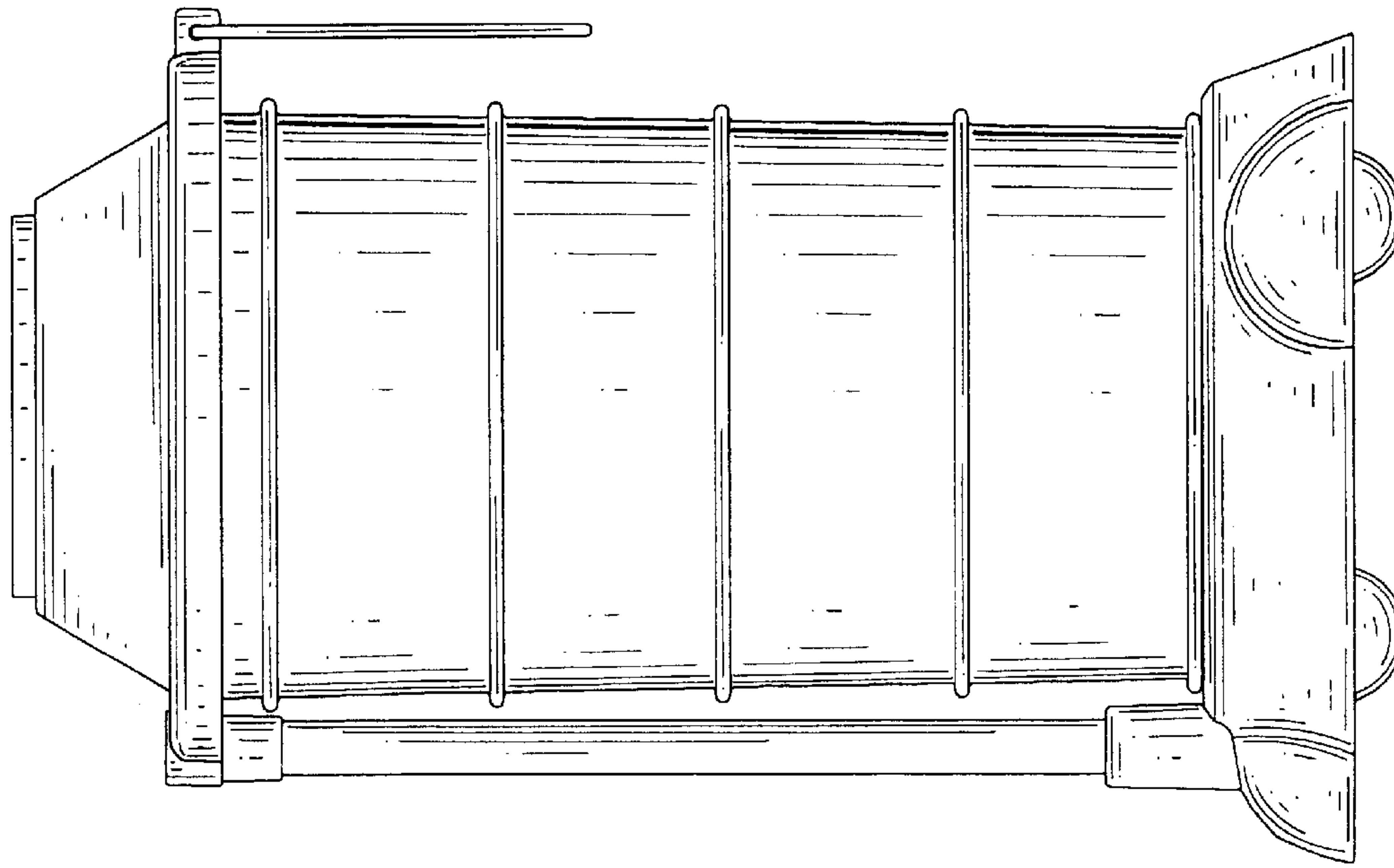


FIG. 4



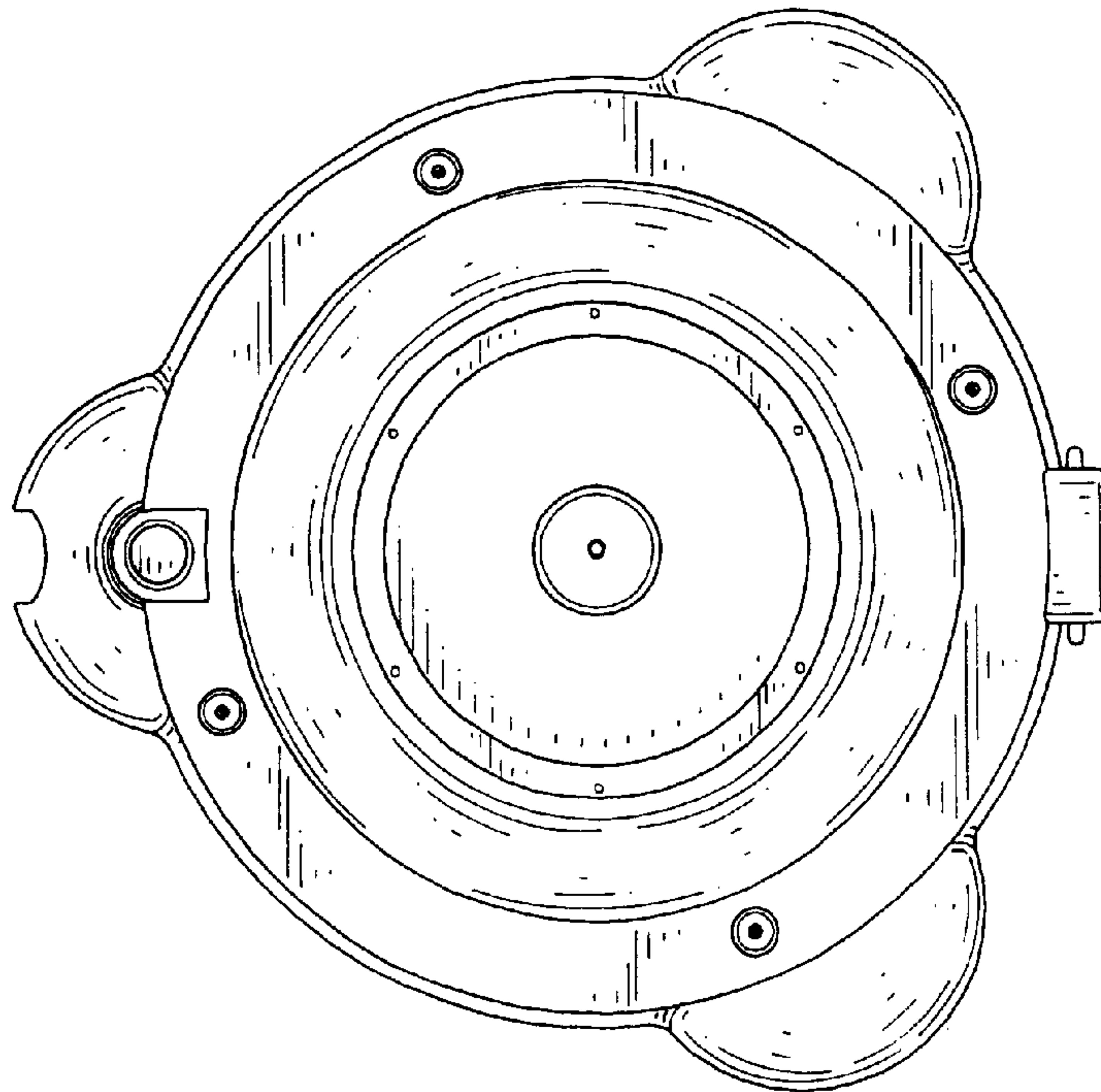


FIG. 6

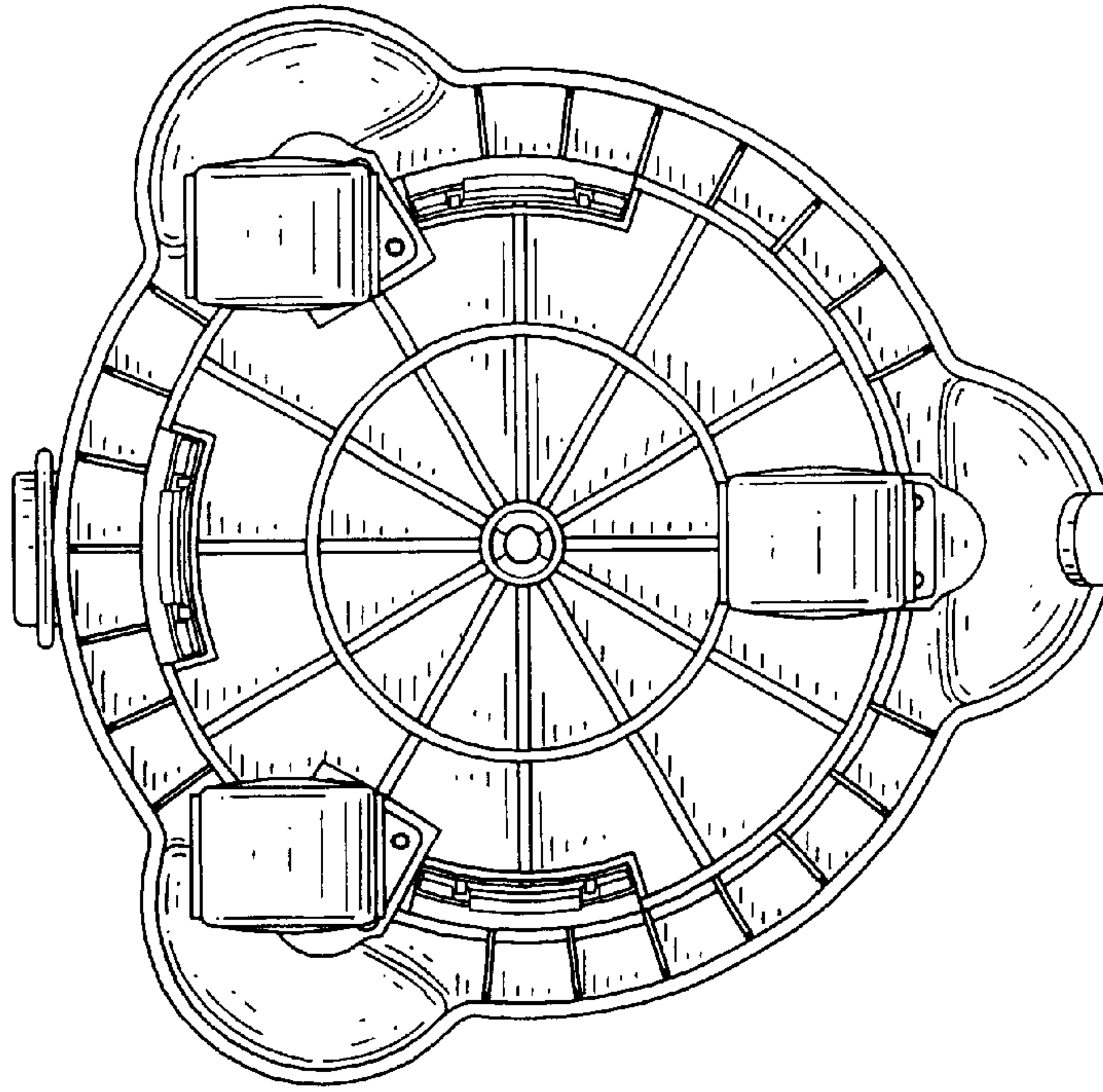


FIG. 7

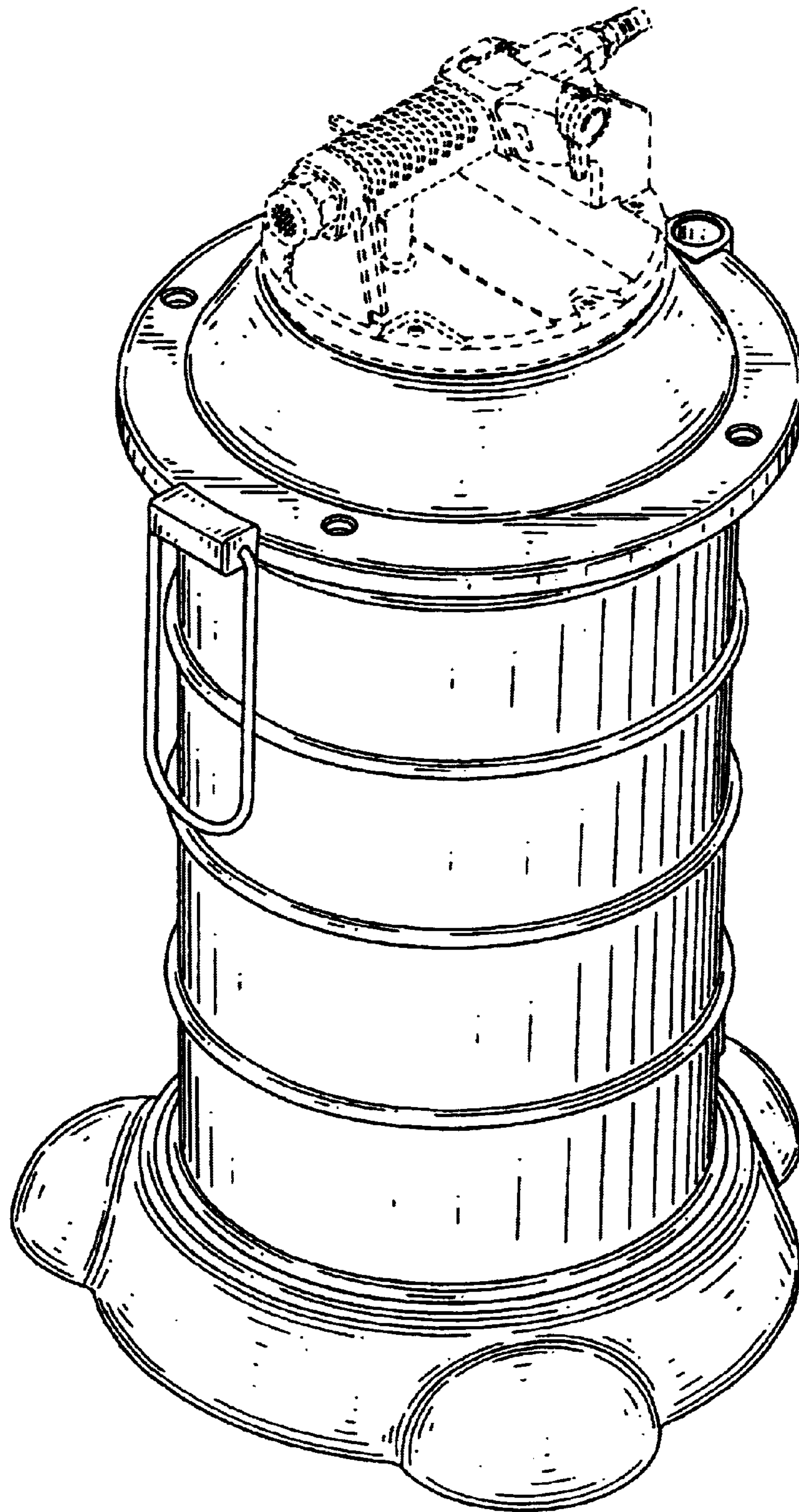


FIG.8

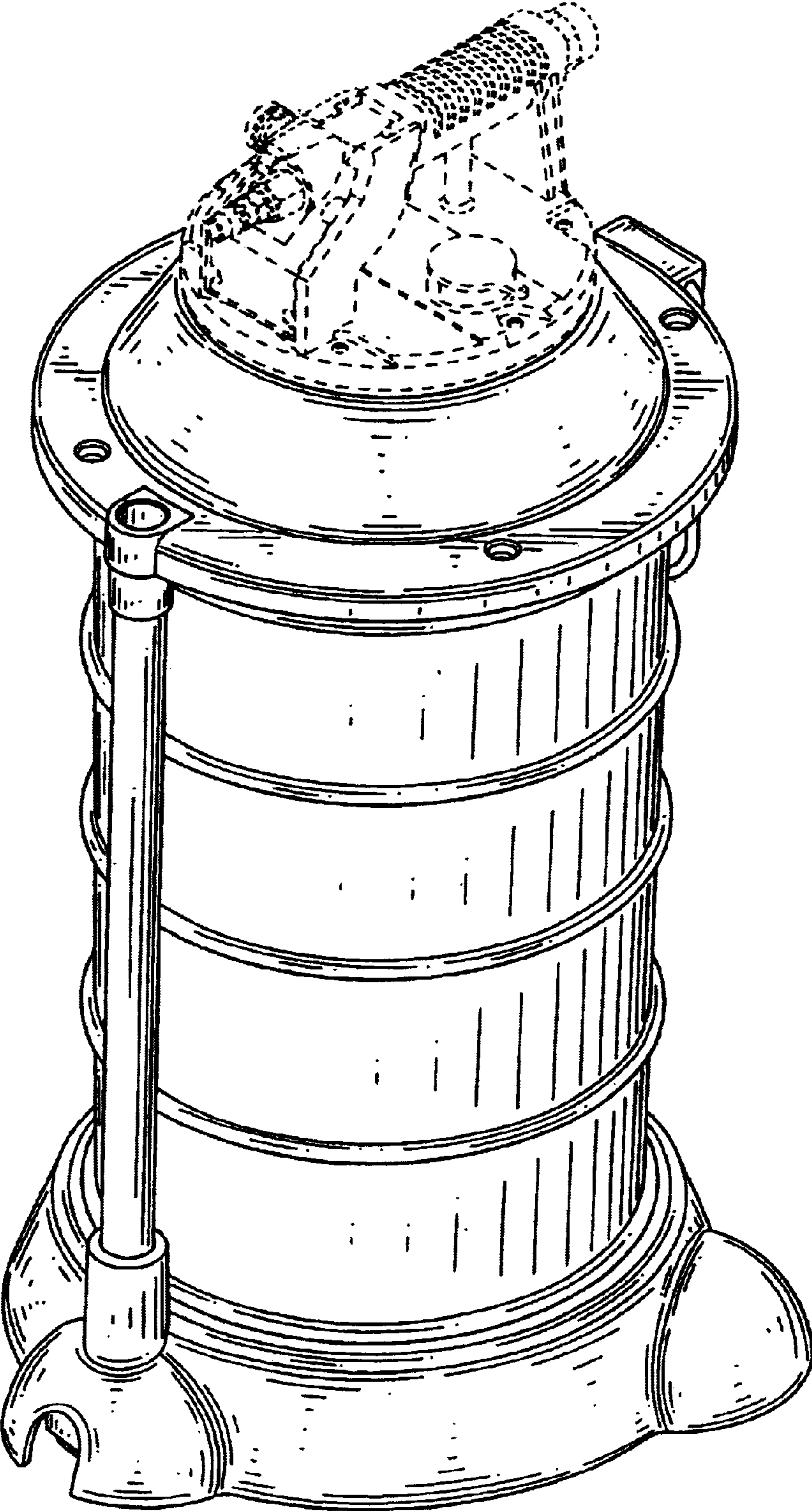


FIG.9