



US00D539819S

(12) **United States Design Patent**
Fischer

(10) **Patent No.:** **US D539,819 S**

(45) **Date of Patent:** **** Apr. 3, 2007**

(54) **PUMP**

(75) **Inventor:** **Peter Fischer**, Bad Neustadt (DE)

(73) **Assignee:** **Gardner Denver Technology GmbH**,
Bad Neustadt (DE)

(**) **Term:** **14 Years**

(21) **Appl. No.:** **29/246,700**

(22) **Filed:** **May 4, 2006**

(30) **Foreign Application Priority Data**

Nov. 22, 2005 (EM) 000435060-0010

(51) **LOC (8) Cl.** **15-02**

(52) **U.S. Cl.** **D15/7**

(58) **Field of Classification Search** D15/7-9;
D23/232, 231; 417/359, 415-416, 410.1,
417/321, 265, 405
See application file for complete search history.

(56) **References Cited**

U.S. PATENT DOCUMENTS

D372,251 S * 7/1996 Bohncke D15/7

D450,327 S * 11/2001 Mori et al. D15/7
D471,561 S * 3/2003 Kohsaka D15/7
D485,565 S * 1/2004 Martinello D15/7
D492,324 S * 6/2004 Stevens D15/7

* cited by examiner

Primary Examiner—Ralf Seifert

(74) *Attorney, Agent, or Firm*—James B. Conte; Barnes &
Thornburg LLP

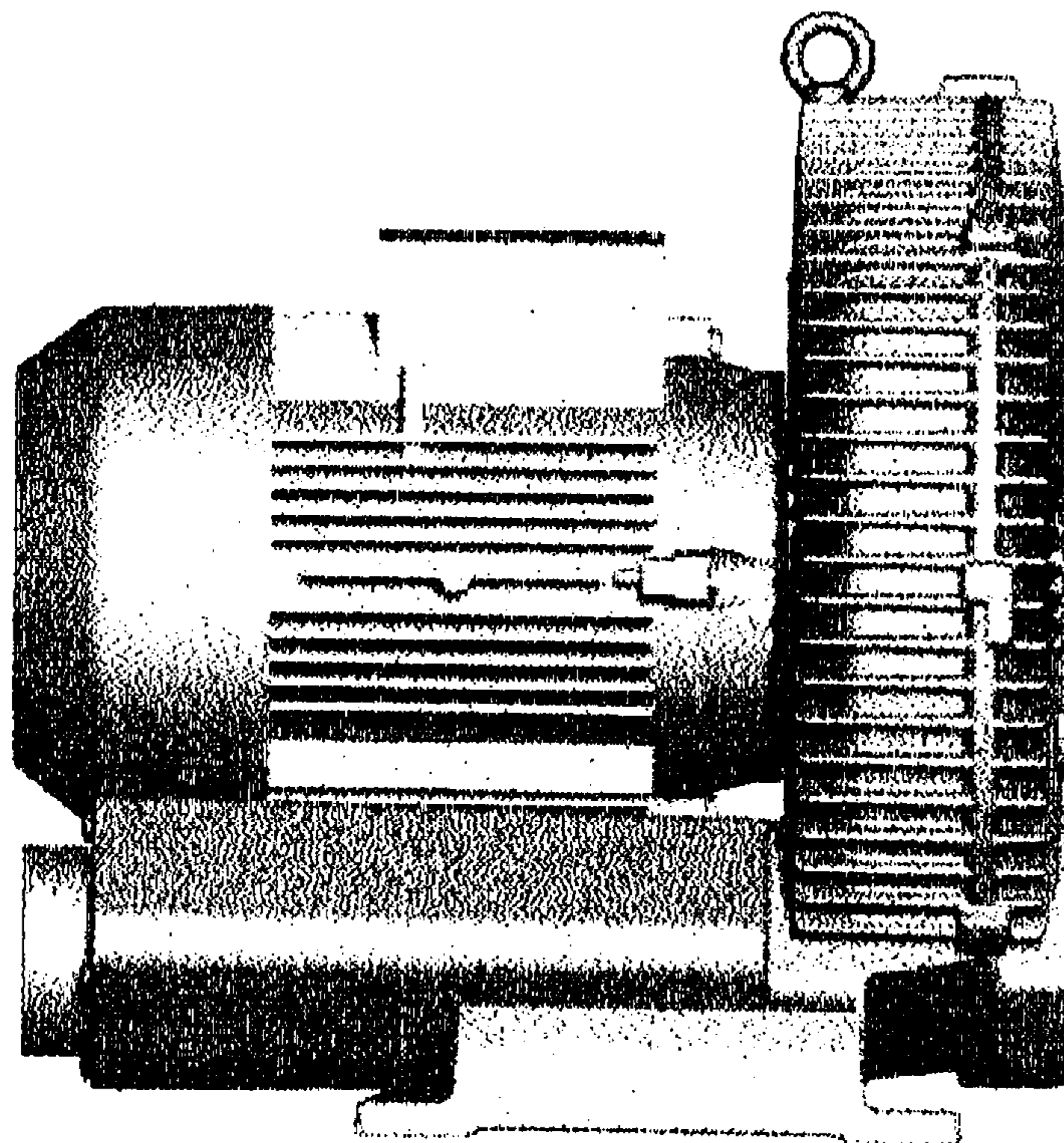
(57) **CLAIM**

The ornamental design for pump, as shown and described.

DESCRIPTION

FIG. 1 is a rear view of pump, showing my new design;
FIG. 2 is a side elevational view (left) thereof;
FIG. 3 is a top view thereof;
FIG. 4 is a side elevational view (right) thereof;
FIG. 5 is a bottom view thereof; and,
FIG. 6 is a front view thereof.

1 Claim, 3 Drawing Sheets



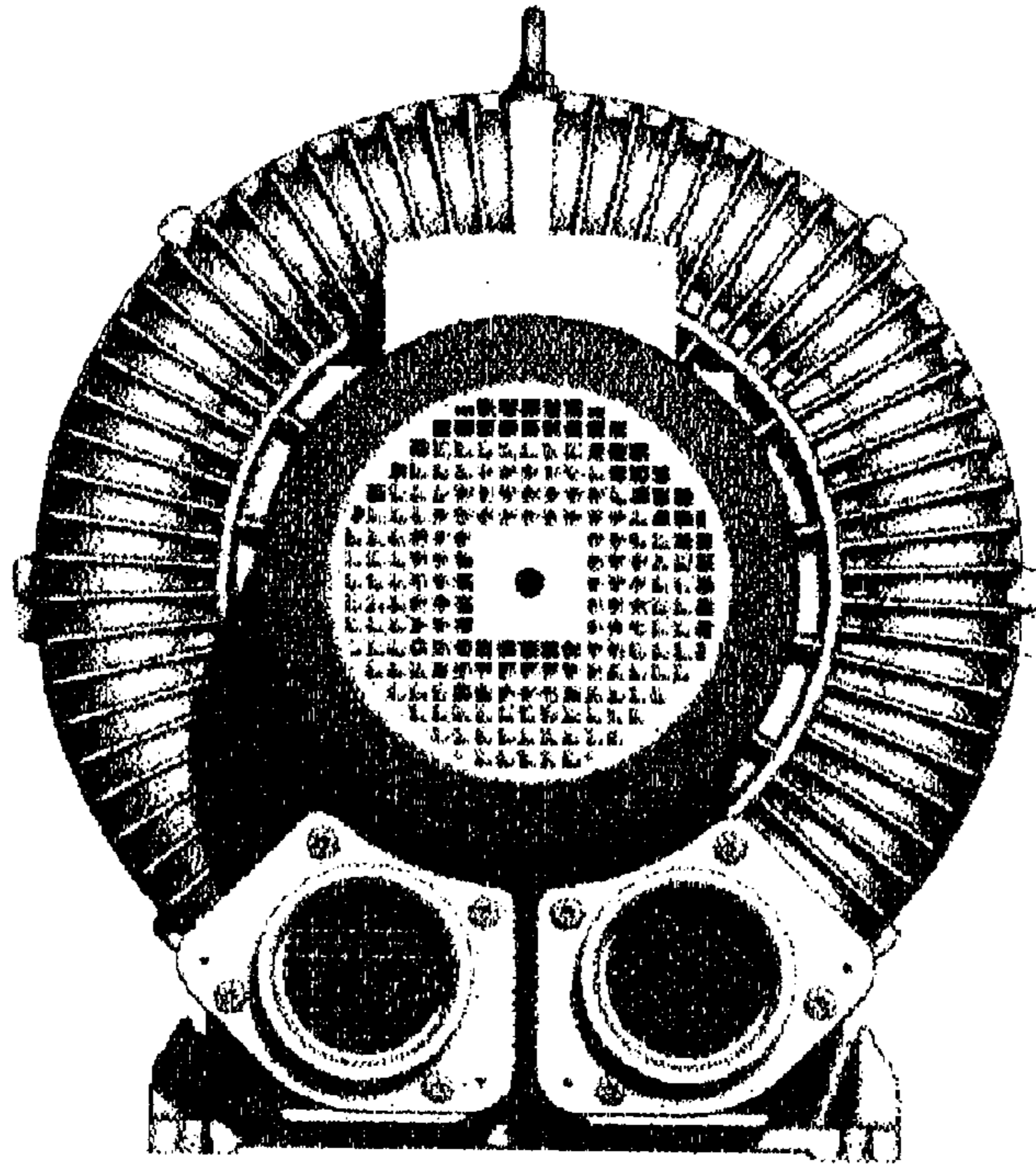


Fig. 1

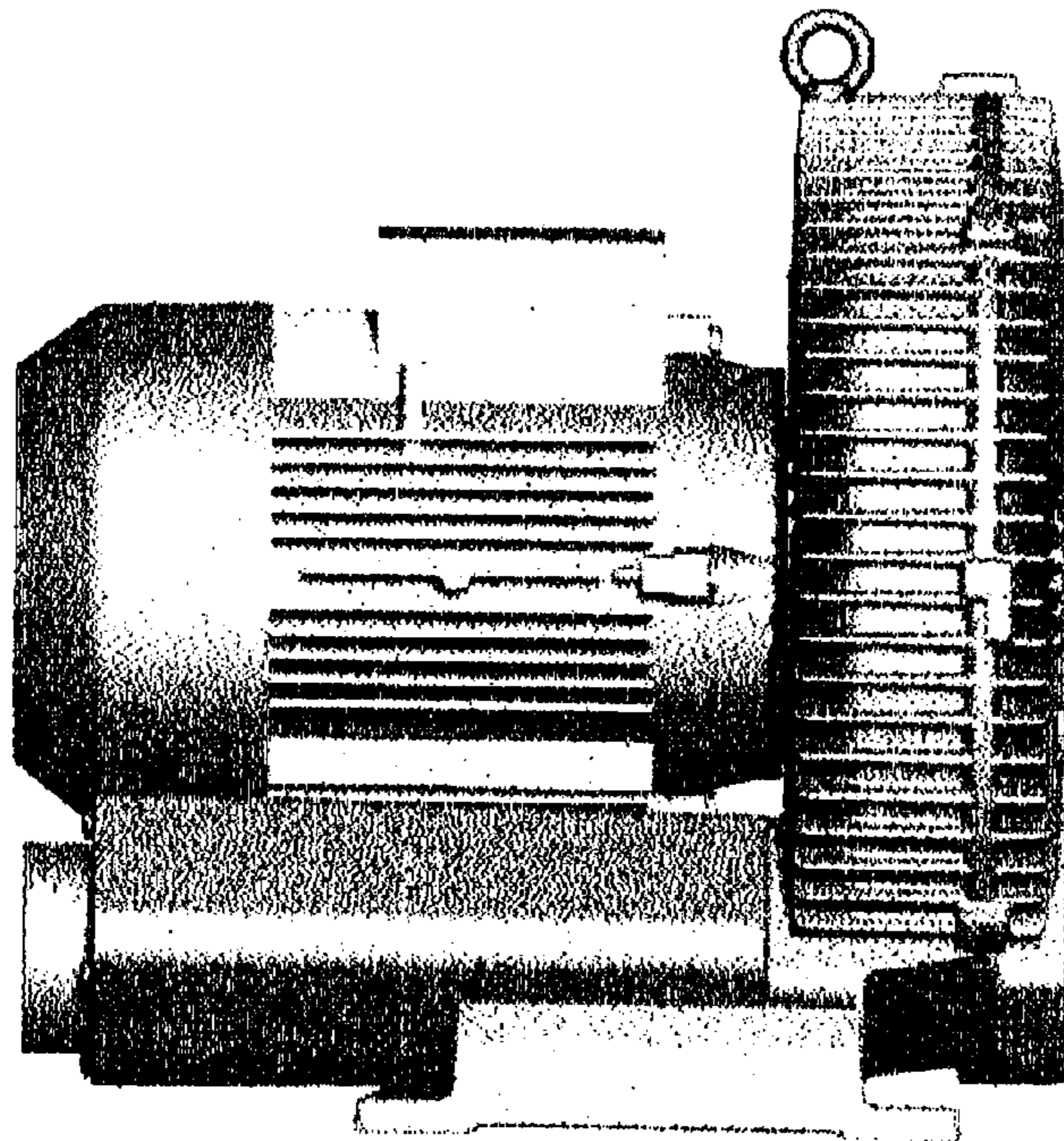


Fig. 2

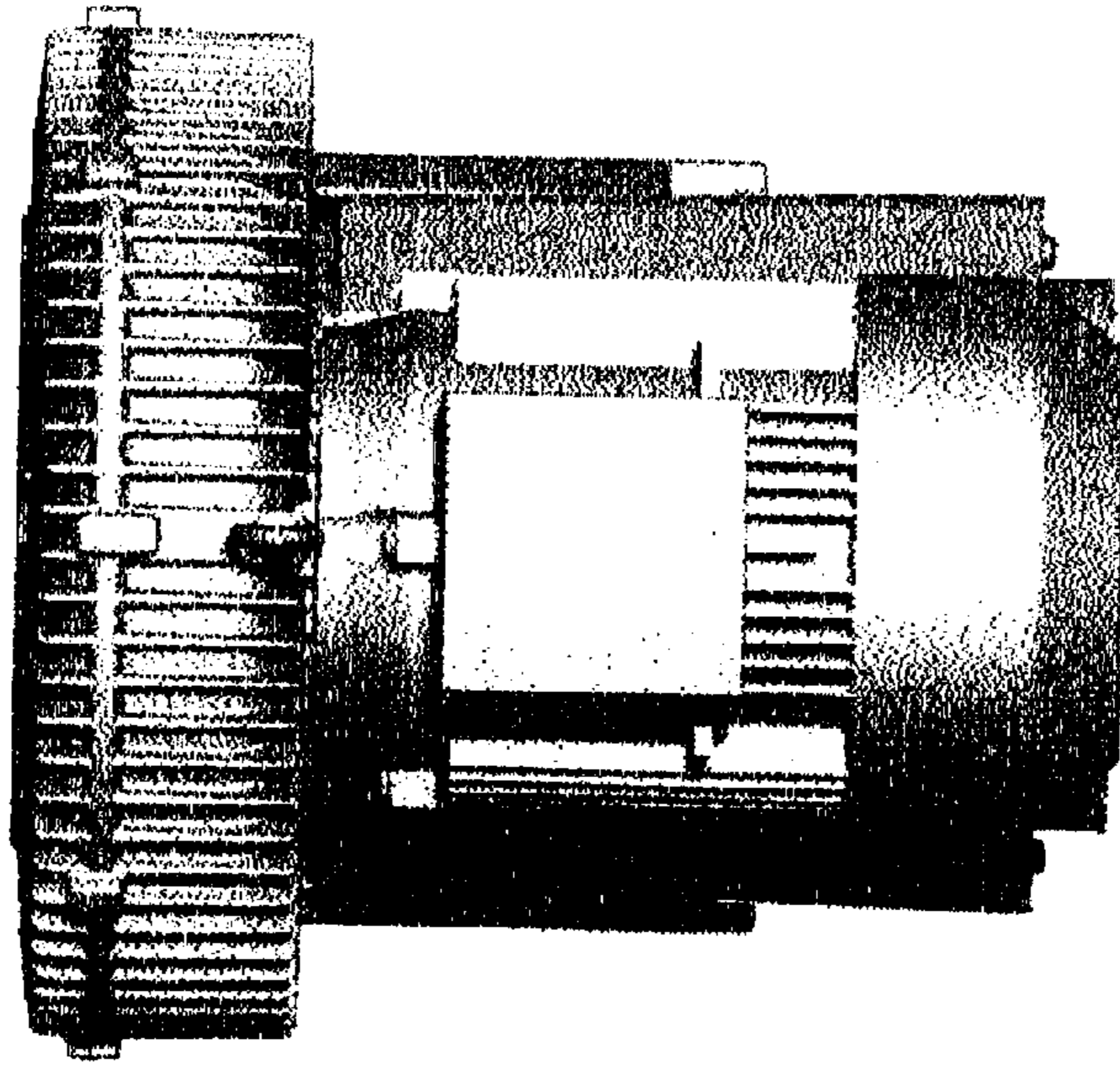


Fig. 3

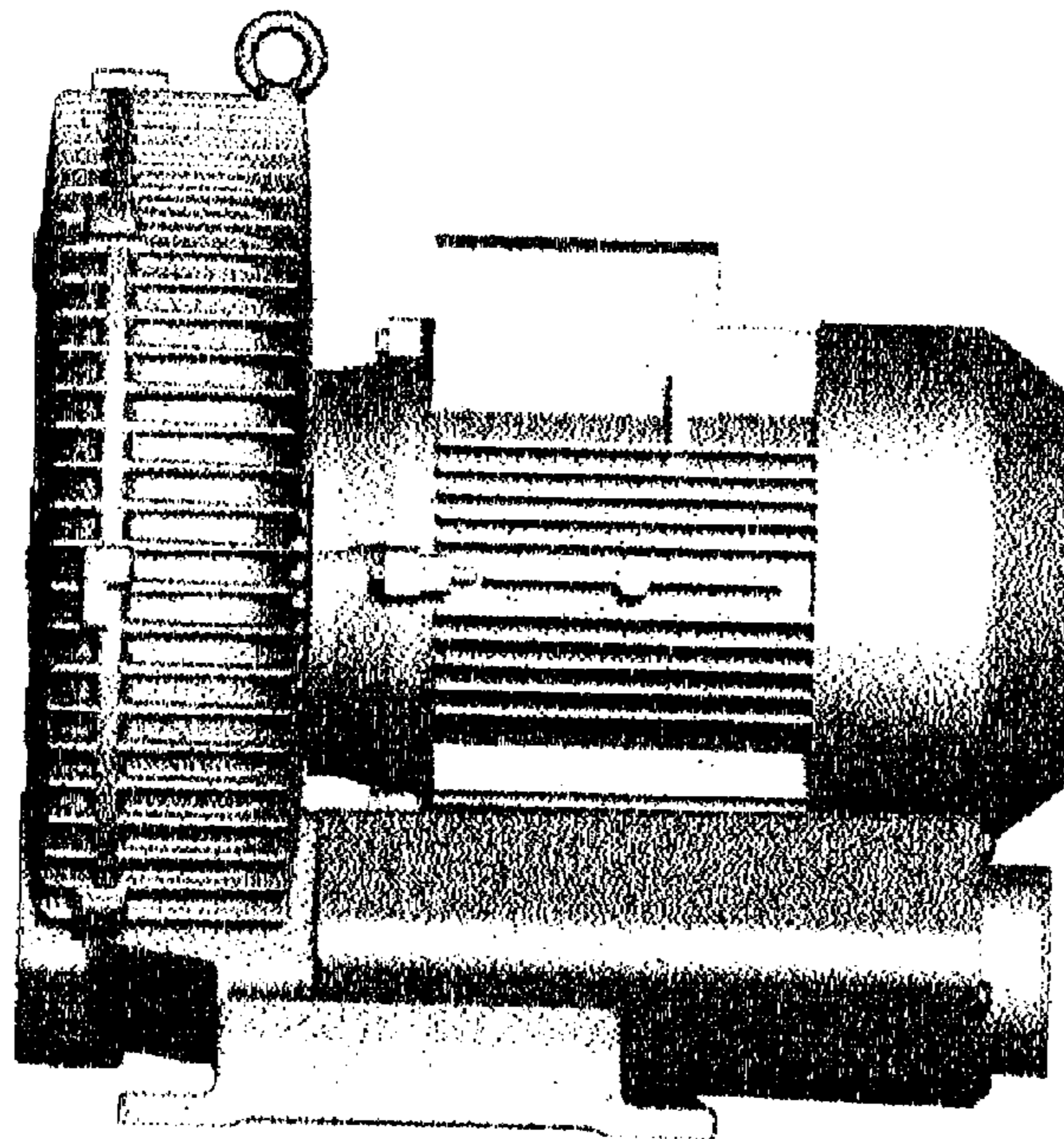


Fig. 4

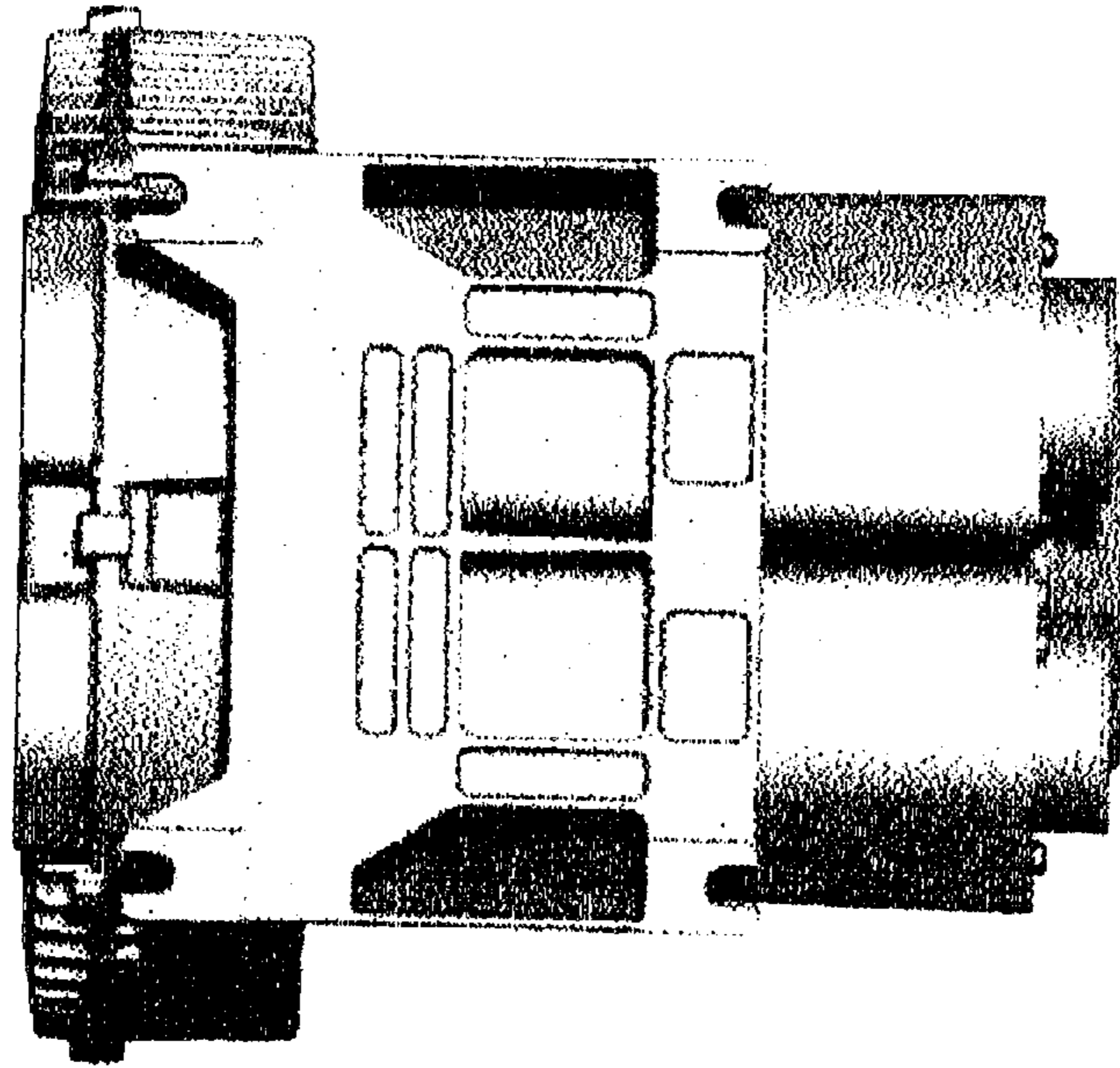


Fig. 5

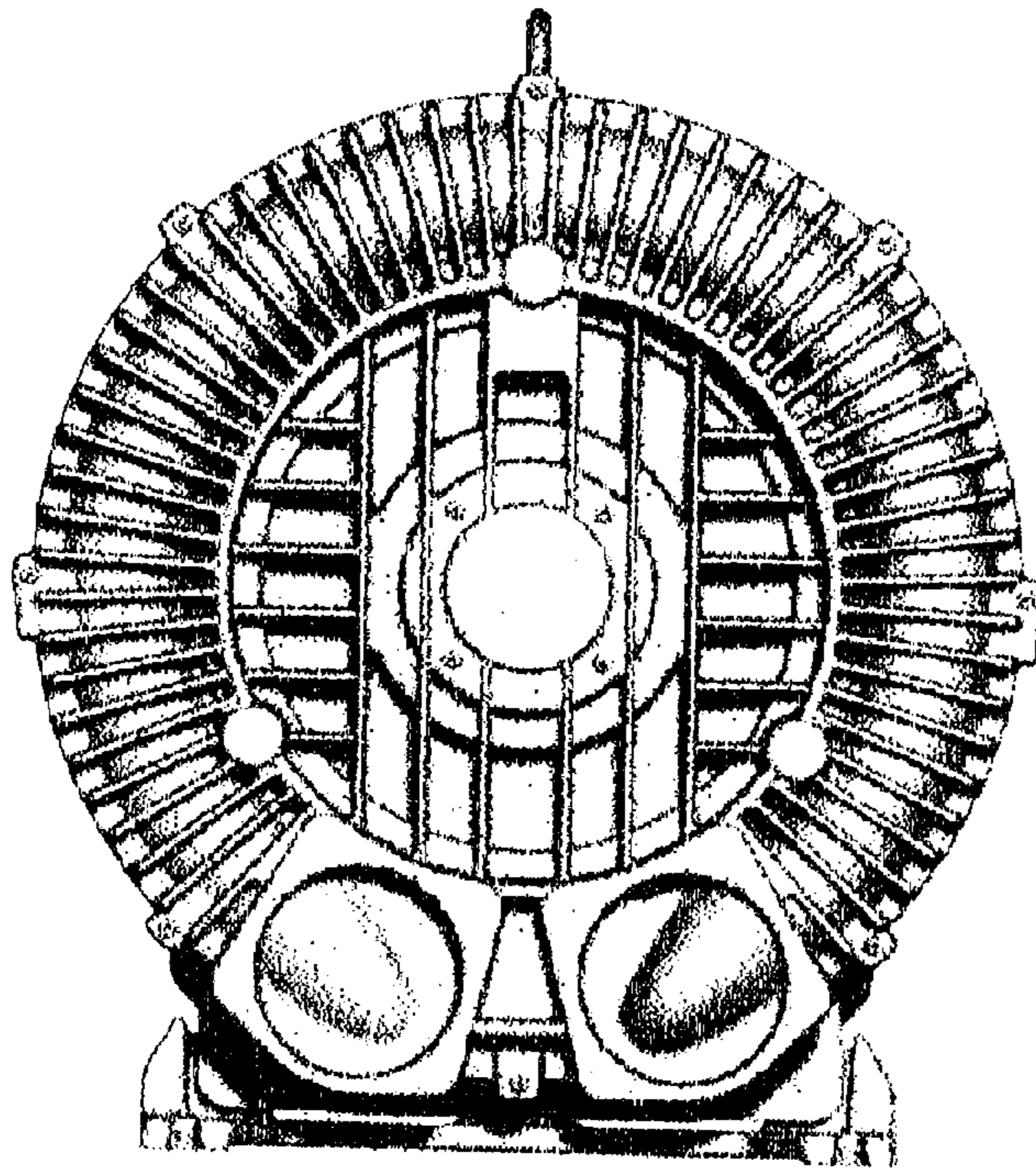


Fig. 6