



US00D539818S

(12) **United States Design Patent** (10) **Patent No.:** **US D539,818 S**
Giddens (45) **Date of Patent:** **** Apr. 3, 2007**

(54) **PORTION OF A RECOIL COVER FOR AN INTERNAL COMBUSTION ENGINE**

(75) Inventor: **Keith B. Giddens**, Simpsonville, SC (US)

(73) Assignee: **Liquid Combustion Technology LLC**, Travelers Rest, SC (US)

(**) Term: **14 Years**

(21) Appl. No.: **29/256,583**

(22) Filed: **Mar. 22, 2006**

Related U.S. Application Data

(62) Division of application No. 29/211,157, filed on Aug. 11, 2004.

(51) **LOC (8) Cl.** **15-01**

(52) **U.S. Cl.** **D15/5**

(58) **Field of Classification Search** D15/1-5; 123/41.7, 50 A, 56, 198 E, 306, 308, 661, 123/667, 65 R, 50 R, 51 R, 51 P; 74/610.6; 474/8, 93; 475/210; 184/6.23; D24/110.1, D24/110.5, 110.6; 128/207.13, 206.18, 205.24, 128/205.25

See application file for complete search history.

(56) **References Cited**

U.S. PATENT DOCUMENTS

D257,844 S	1/1981	Stevens
D282,071 S	1/1986	Nakamura
D294,832 S	3/1988	Itou et al.
4,813,385 A	3/1989	Yamaguchi et al.
D305,432 S	1/1990	Hashigaki
D307,147 S	4/1990	Sasaki et al.
D307,148 S	4/1990	Mikado
D308,871 S	6/1990	Harkness et al.
D308,872 S	6/1990	Harkness et al.
D309,457 S	7/1990	Eifert et al.
D309,458 S	7/1990	Johnson et al.
5,072,627 A	12/1991	Horiye et al.
D330,897 S	11/1992	Carlson et al.

D331,929 S	12/1992	Leaf et al.
5,197,426 A *	3/1993	Frangesch et al. 123/198 E
D342,076 S	12/1993	Heismann
D343,843 S	2/1994	Mikado
D353,381 S	12/1994	Yoshida et al.
D367,070 S	2/1996	Maeda et al.

(Continued)

OTHER PUBLICATIONS

U.S. Appl. No. 29/199,532 entitled *Portion of an Engine*; In re: Giddens; filed Feb. 16, 2004.

U.S. Appl. No. 29/199,533 entitled *Portion of an Engine*; In re: Giddens; filed Feb. 16, 2004.

U.S. Appl. No. 29/211,389; entitled *Portion of an Internal Combustion Engine*; In re: Glass; filed Feb. 16, 2004.

Primary Examiner—Ian Simmons

Assistant Examiner—Maurice Stevens

(74) *Attorney, Agent, or Firm*—Alston & Bird LLP

(57) **CLAIM**

The ornamental design for a portion of a recoil cover for an internal combustion engine, as shown and described.

DESCRIPTION

FIG. 1 is a perspective view of a portion of a recoil cover for an internal combustion engine according to a first embodiment of the present design;

FIG. 2 is a front elevation view of the portion of a recoil cover for an internal combustion engine shown in FIG. 1; FIG. 3 is a top plan view of the portion of a recoil cover for an internal combustion engine shown in FIG. 1;

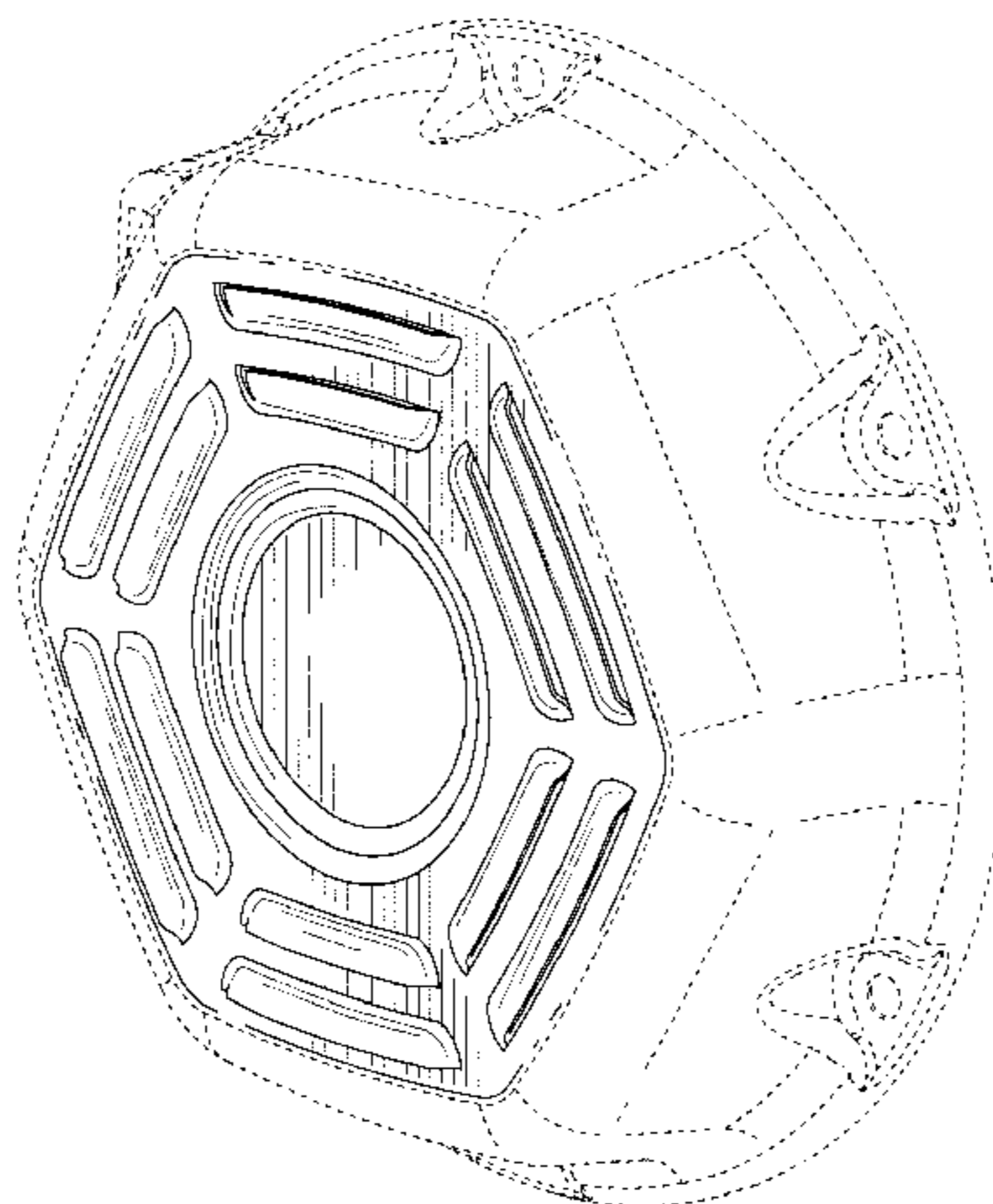
FIG. 4 is a bottom plan view of the portion of a recoil cover for an internal combustion engine shown in FIG. 1;

FIG. 5 is a right side elevation view of the portion of a recoil cover for an internal combustion engine shown in FIG. 1; and,

FIG. 6 is a left side elevation view of the portion of a recoil cover for an internal combustion engine shown in FIG. 1.

The broken lines shown herein are for illustrative purposes only and form no part of the claimed design.

1 Claim, 4 Drawing Sheets



US D539,818 S

Page 2

U.S. PATENT DOCUMENTS					
D392,647 S	3/1998	Ueda et al.	D468,751 S	*	1/2003 Neeley et al. D15/1
D396,045 S	7/1998	Neeley	6,520,141 B2		2/2003 Ryczek et al.
D396,476 S	7/1998	Shimizu	6,525,430 B1		2/2003 Asai et al.
D397,342 S	8/1998	Shimizu	D471,207 S	*	3/2003 Kern et al. D15/5
D398,010 S	9/1998	Yoshida et al.	D474,783 S		5/2003 Momoi
D414,498 S	9/1999	Yoshida	D475,065 S		5/2003 Shimizu et al.
D417,675 S	12/1999	Yaguchi et al.	D478,042 S		8/2003 Yaguchi et al.
D441,714 S	5/2001	Yuzuriha	D481,042 S		10/2003 Yuzuriha et al.
D443,280 S	6/2001	Shimizu	D481,043 S		10/2003 Yuzuriha et al.
6,240,889 B1	6/2001	Kuwabara et al.	D488,167 S		4/2004 Momoi
D444,478 S	7/2001	Shimizu	D491,193 S		6/2004 Davis
D449,051 S	10/2001	Miyashita	D503,722 S	*	4/2005 Stenz et al. D15/1
6,331,740 B1	12/2001	Morohoshi et al.	2001/0039845 A1	*	11/2001 Tachibana 74/6
6,362,533 B1	3/2002	Morohoshi et al.	2003/0154934 A1		8/2003 Nakamizo et al.
D457,891 S	5/2002	Matre	2003/0182823 A1		10/2003 Sanders et al.
D462,363 S	*	9/2002 Burmeister et al. D15/4	2004/0224806 A1	*	11/2004 Chonan 474/93
6,489,690 B1	12/2002	Hatsugai et al.			

* cited by examiner

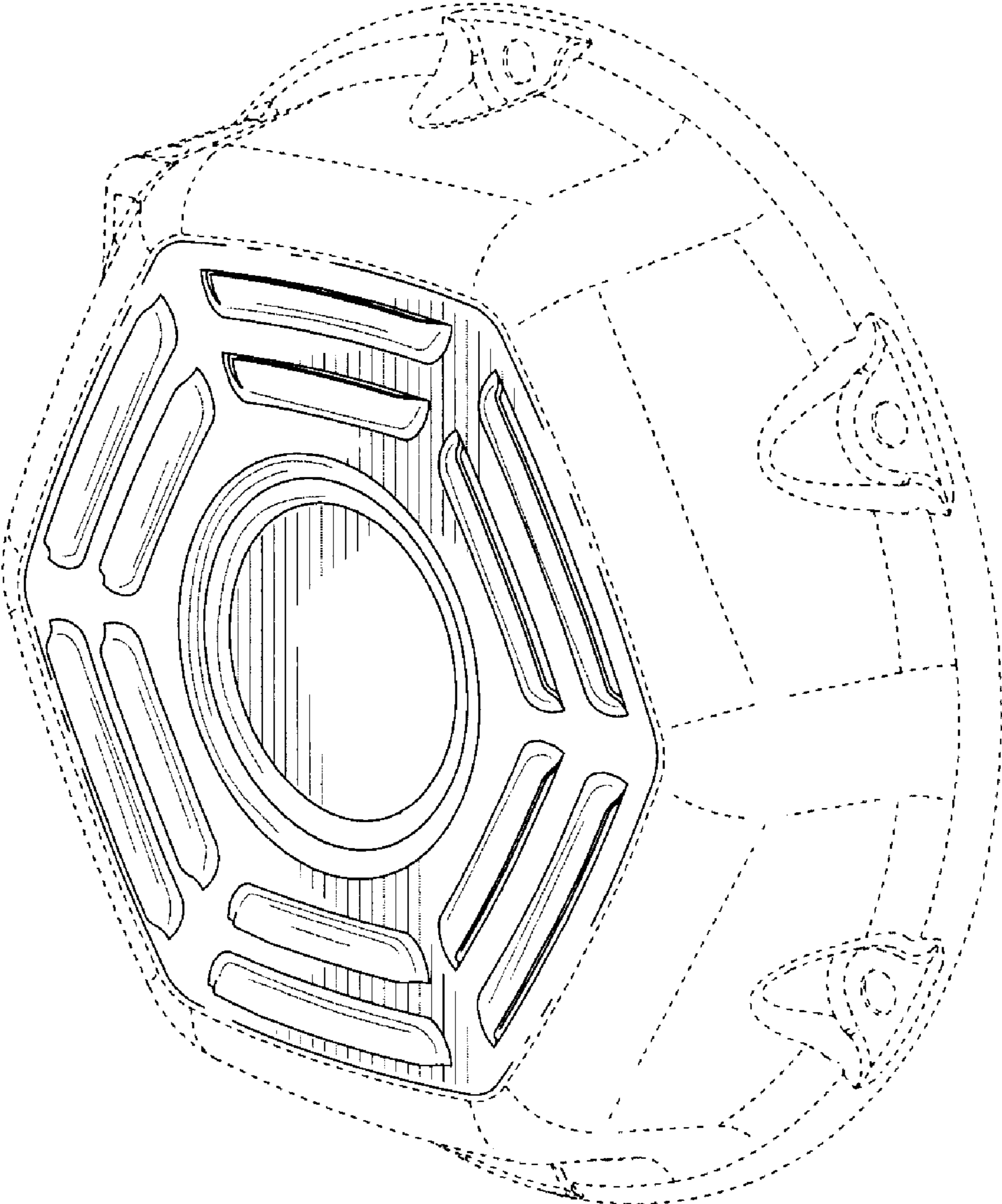


FIG. 1

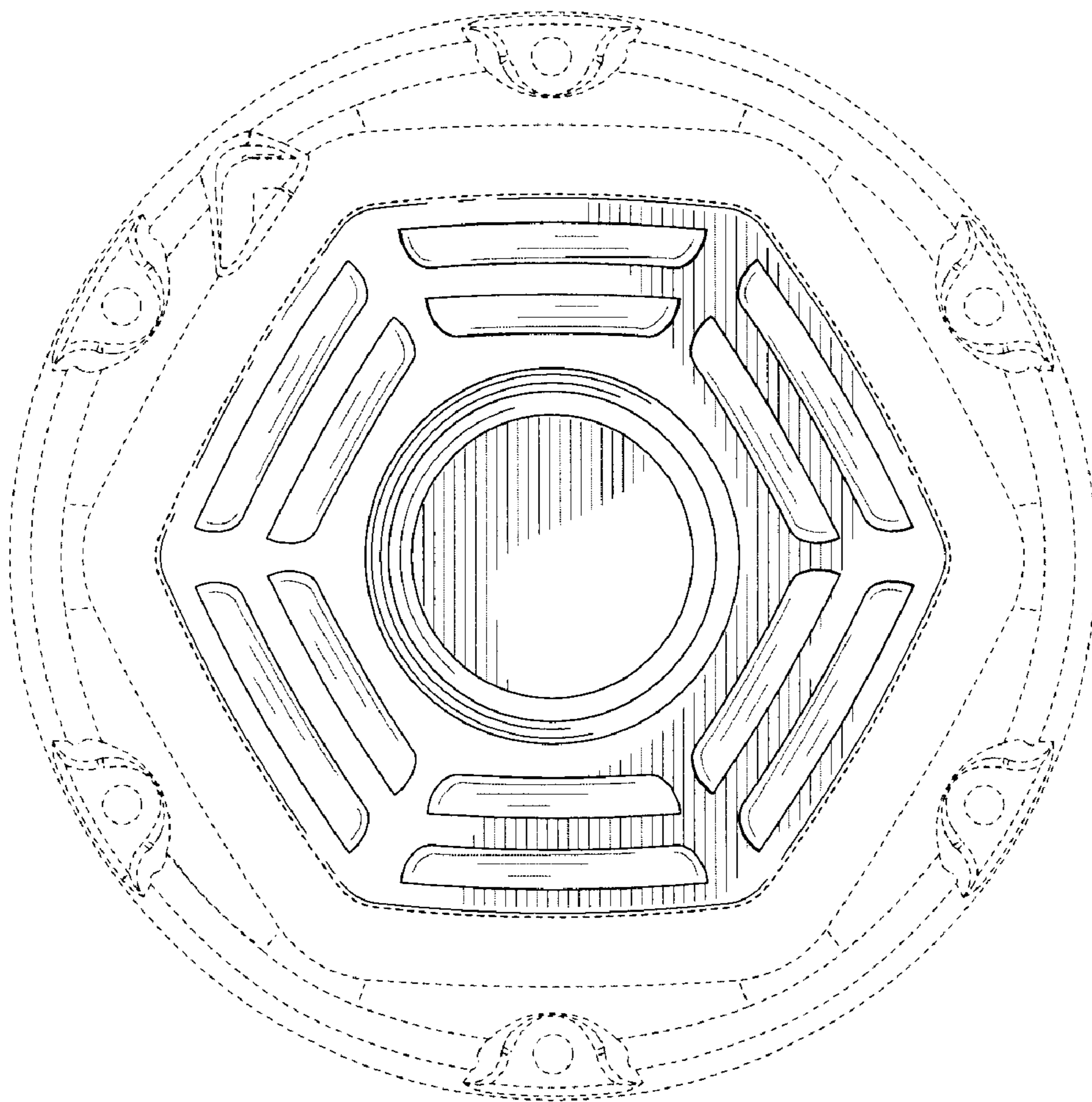


FIG. 2

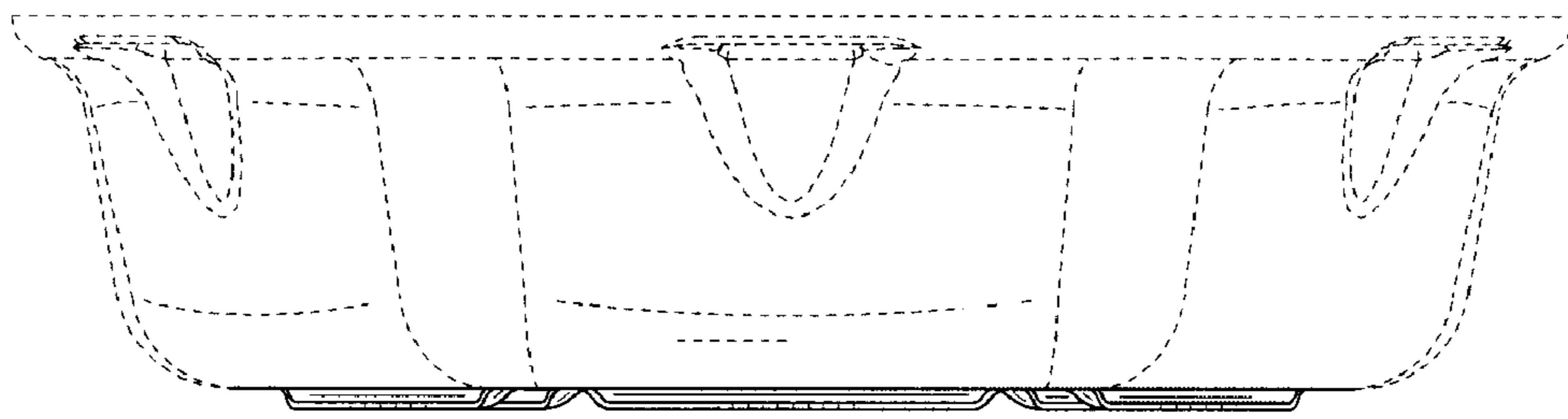


FIG. 3

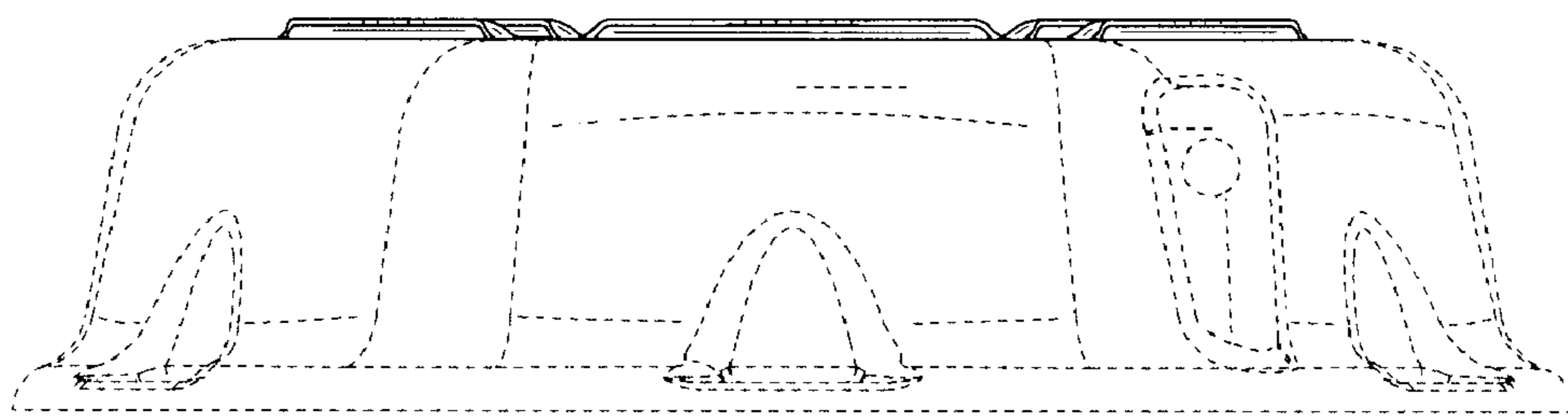


FIG. 4

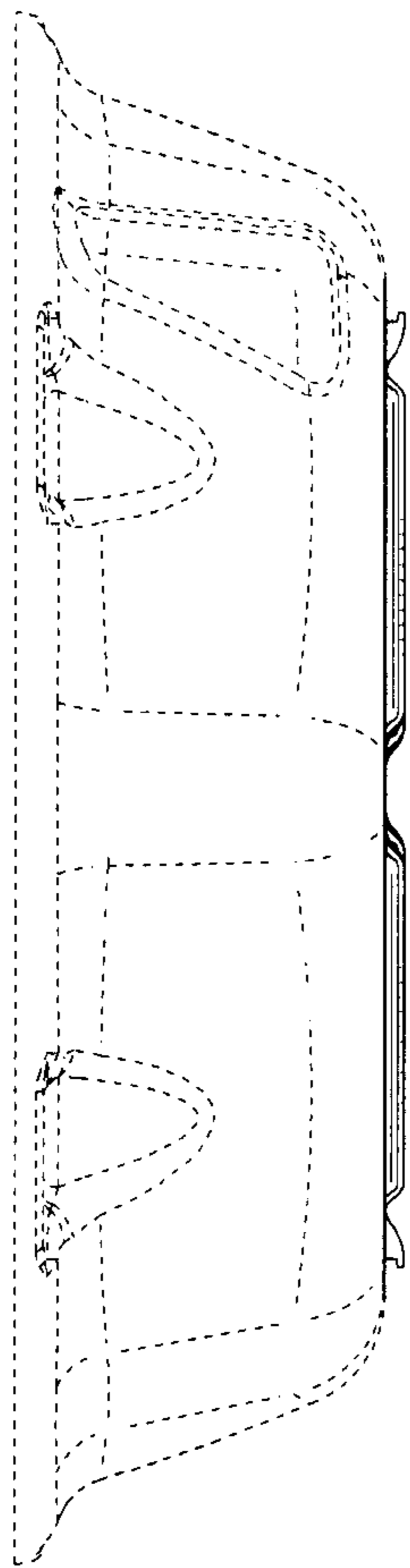


FIG. 6

FIG. 5

