

US00D539817S

(12) **United States Design Patent**
Reverberi

(10) **Patent No.:** **US D539,817 S**

(45) **Date of Patent:** **** Apr. 3, 2007**

(54) **PISTON PUMP**

(75) Inventor: **Stefano Reverberi**, Modena (IT)

(73) Assignee: **Annovi Reverberi S.p.A.**, Modena (IT)

(**) Term: **14 Years**

(21) Appl. No.: **29/221,517**

(22) Filed: **Jan. 19, 2005**

(51) **LOC (8) Cl.** **15-01**

(52) **U.S. Cl.** **D15/5**

(58) **Field of Classification Search** D15/5,
D15/1-9.1; 60/408-409, 443-445, 448, 451,
60/452; 417/91-98, 60, 360, 366, 900; 123/495,
123/509; 415/140-147; 184/26; D13/114
See application file for complete search history.

(56) **References Cited**

U.S. PATENT DOCUMENTS

D271,976 S	*	12/1983	Brown	D15/7
D273,586 S	*	4/1984	Hodgson	D15/7
D294,358 S	*	2/1988	Valentin	D15/7
D456,819 S	*	5/2002	Sebion et al.	D15/7

* cited by examiner

Primary Examiner—Ian Simmons

Assistant Examiner—Maurice Stevens

(74) *Attorney, Agent, or Firm*—Browdy and Neimark,
PLLC

(57) **CLAIM**

The ornamental design for “piston pump,” as shown and described.

DESCRIPTION

The patent or application file contains at least one drawing executed in color. Copies of this patent or patent application publication with color drawings will be provided by the Office upon request and payment of the necessary fee.

FIG. 1 is a front elevational view, showing my new design;

FIG. 2 is a rear elevational view thereof;

FIG. 3 is a top plan view thereof;

FIG. 4 is a bottom plan view thereof;

FIG. 5 is a right side view thereof;

FIG. 6 is a left side view thereof;

FIG. 7 is a front elevational view thereof;

FIG. 8 is a rear elevational view thereof;

FIG. 9 is a top plan view thereof;

FIG. 10 is a bottom plan view thereof;

FIG. 11 is a right side view thereof;

FIG. 12 is a left side view thereof;

FIG. 13 is a front elevational view;

FIG. 14 is a rear elevational view thereof;

FIG. 15 is a top plan view thereof;

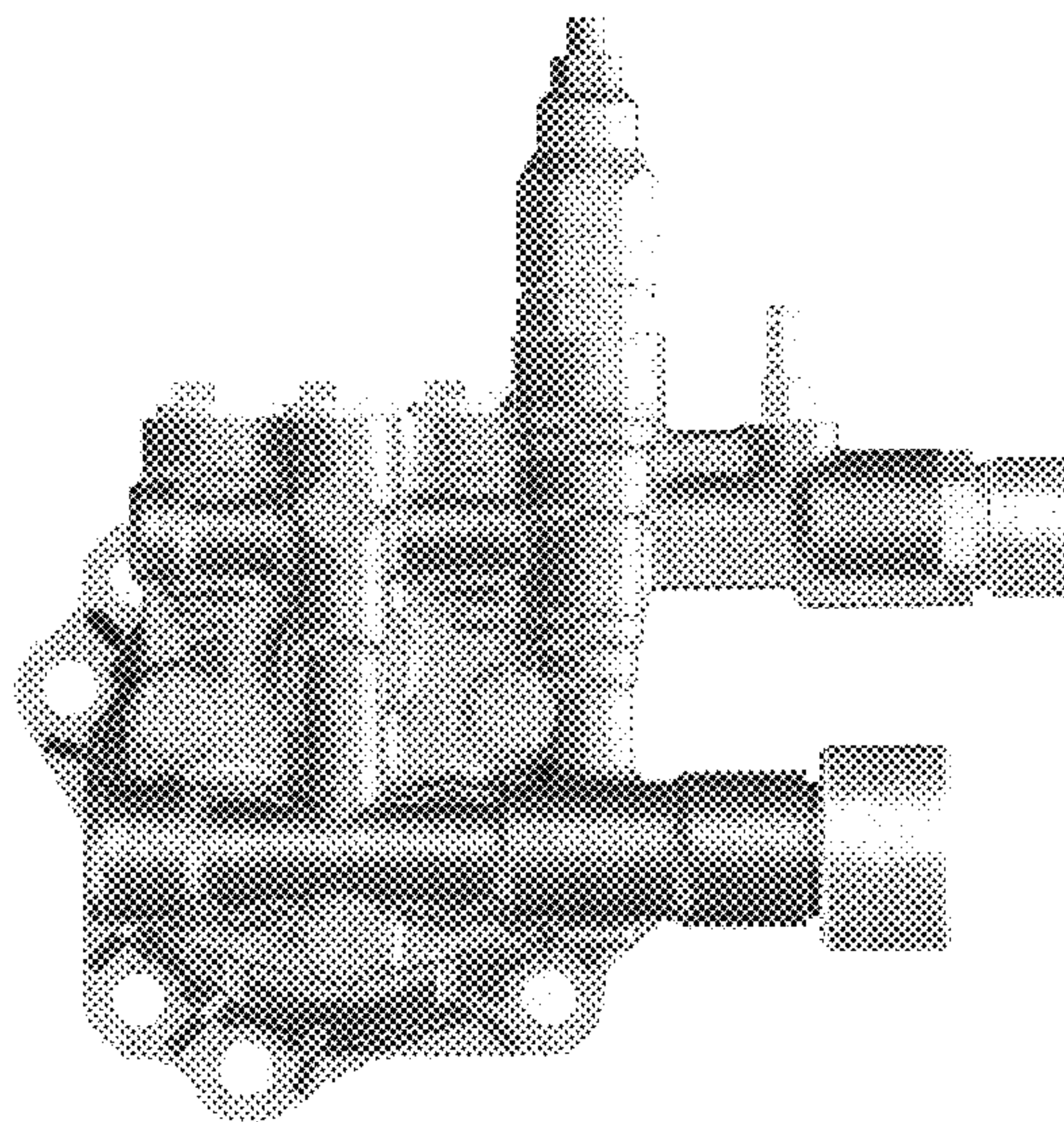
FIG. 16 is a bottom plan view thereof;

FIG. 17 is a right side view thereof; and,

FIG. 18 is a left side view thereof.

1 Claim, 9 Drawing Sheets

(6 of 9 Drawing Sheet(s) Filed in Color)



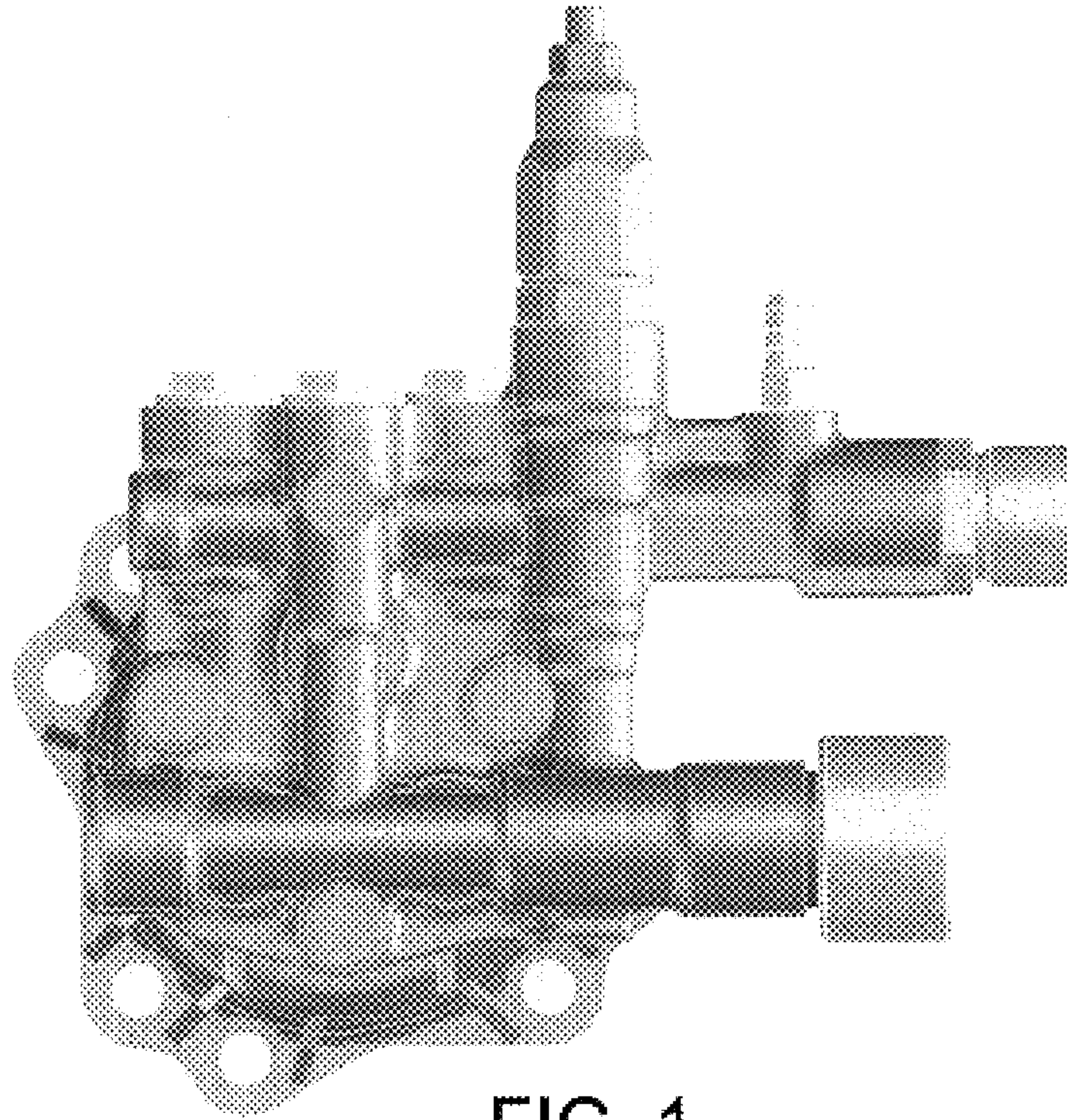


FIG. 1

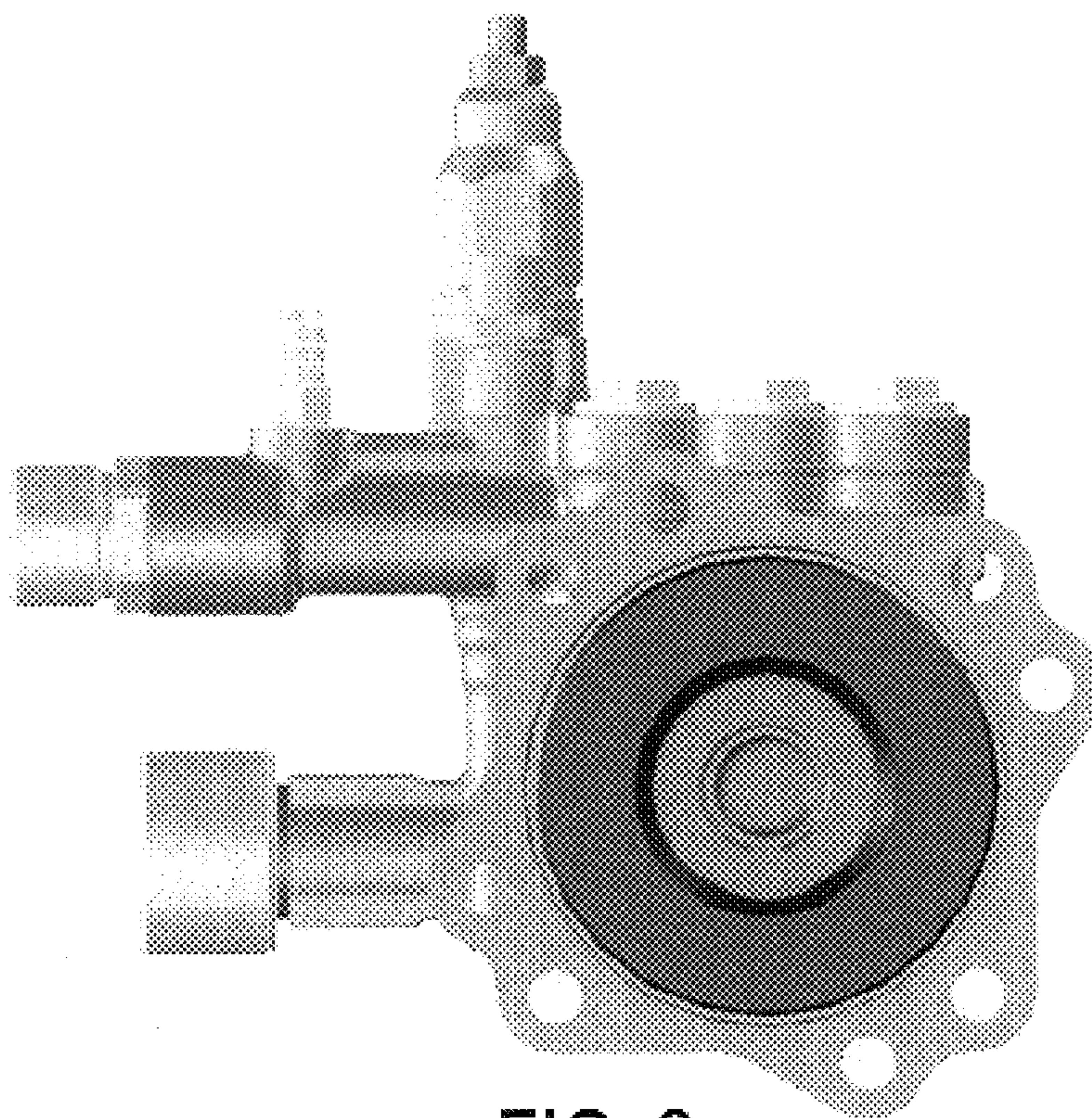


FIG. 2

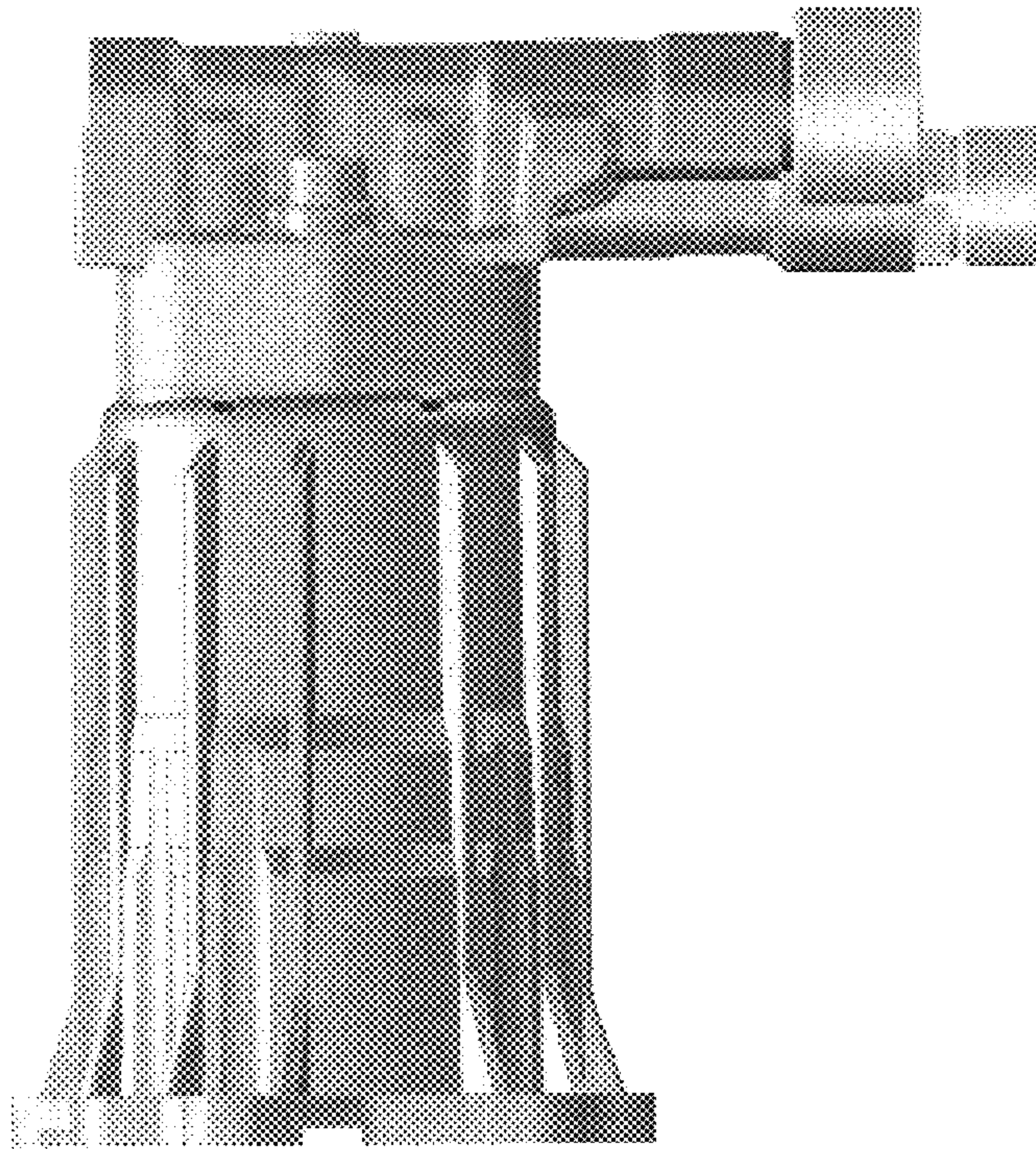


FIG. 3

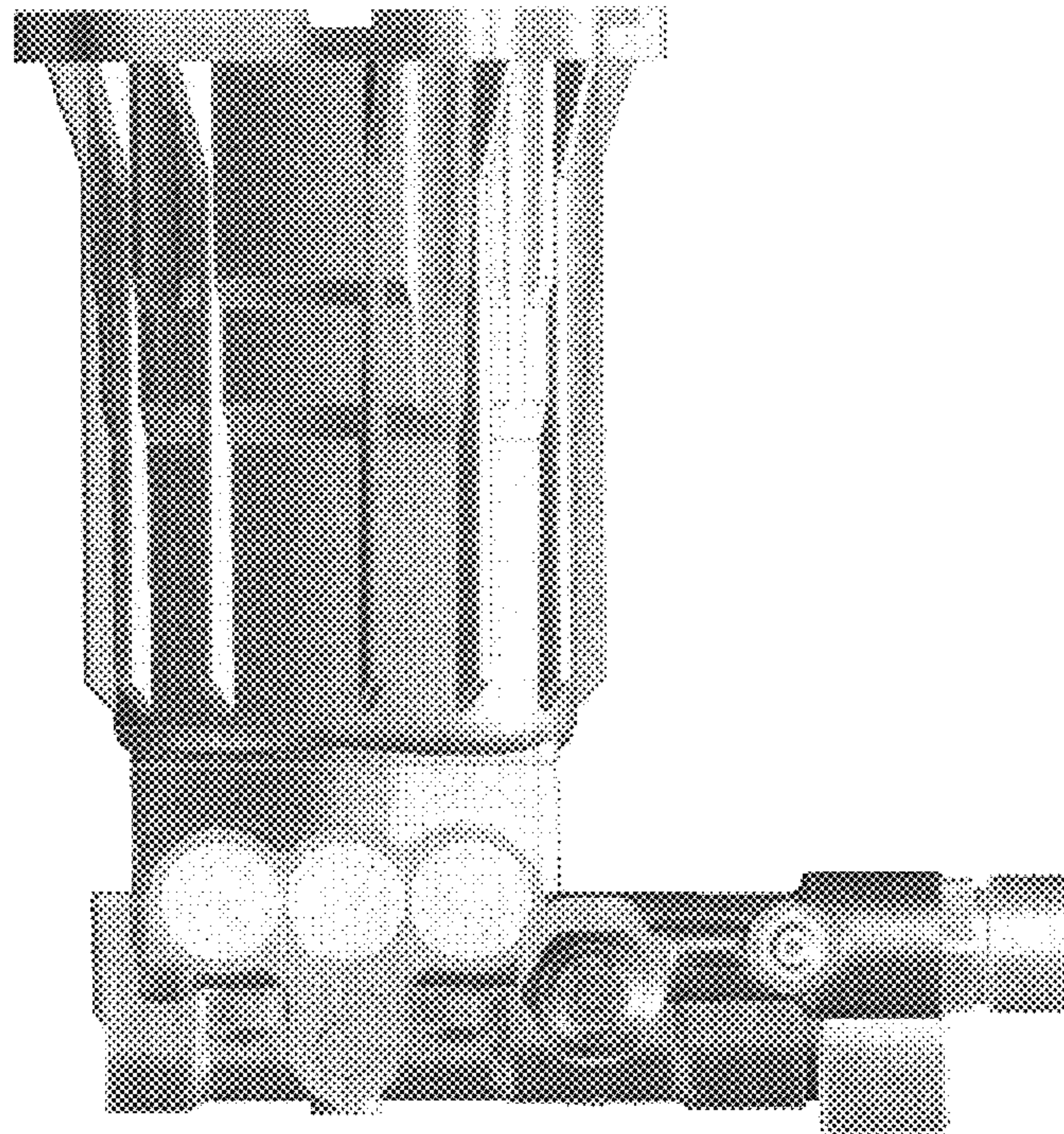


FIG. 4

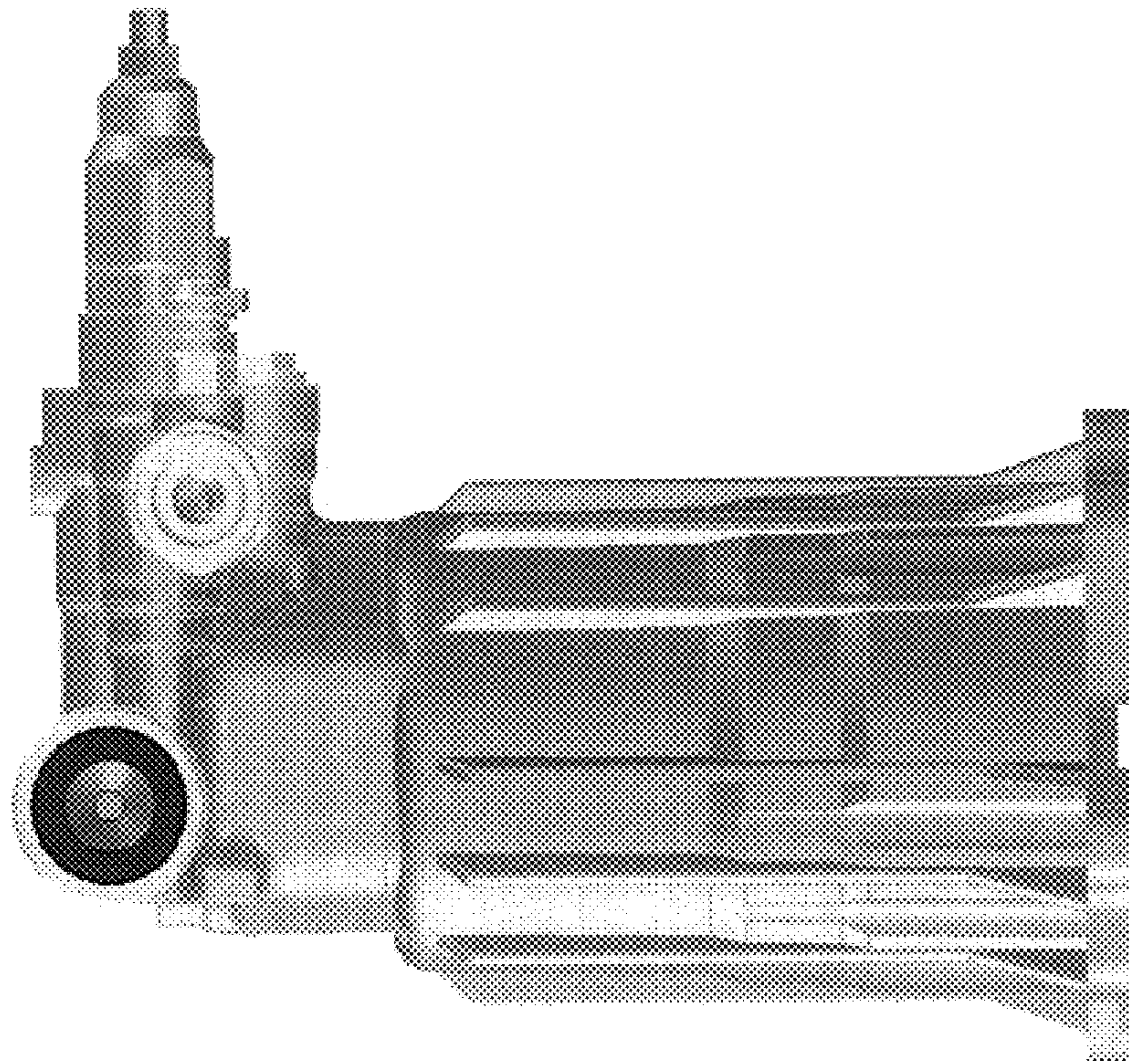


FIG. 5

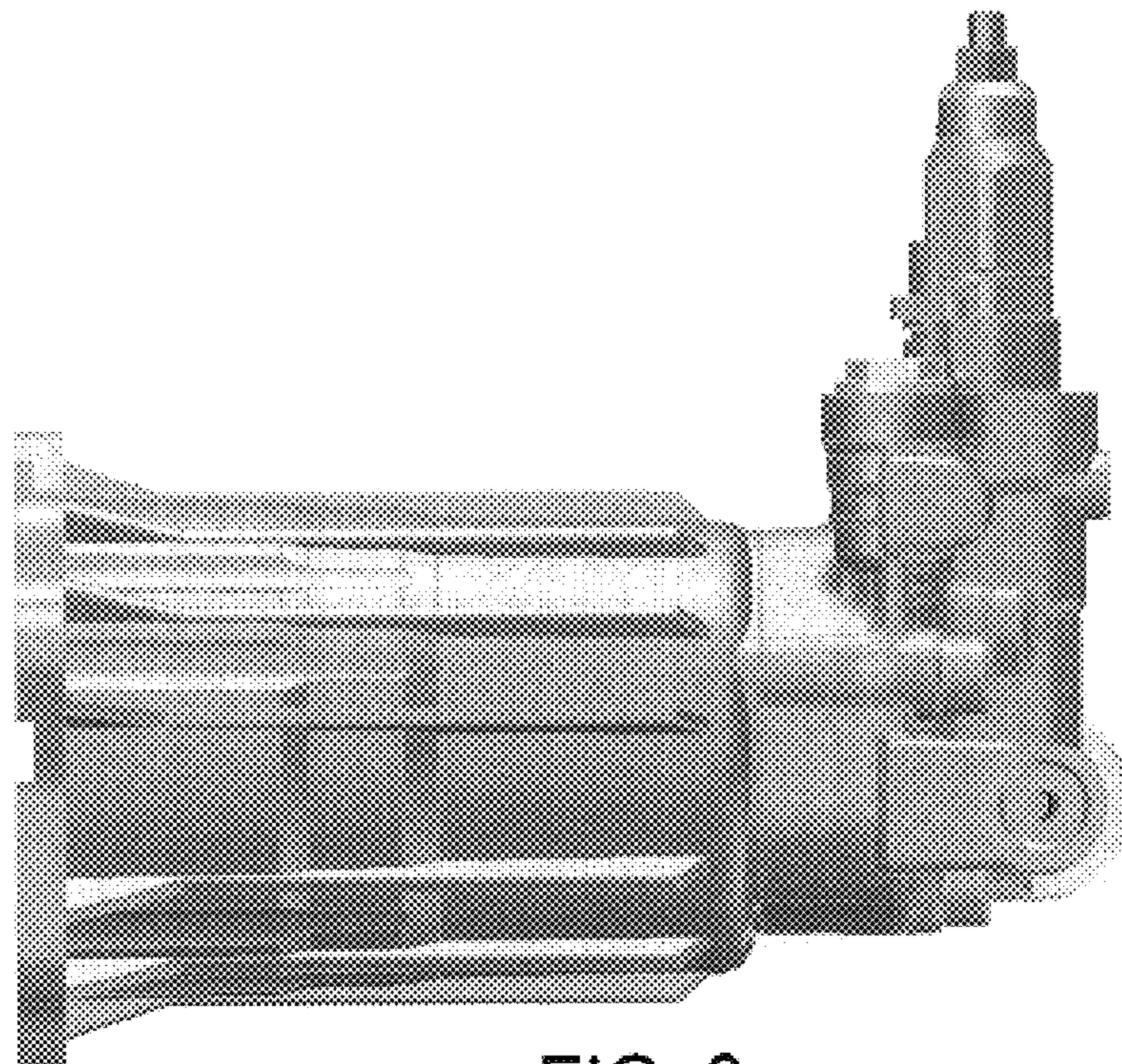


FIG. 6

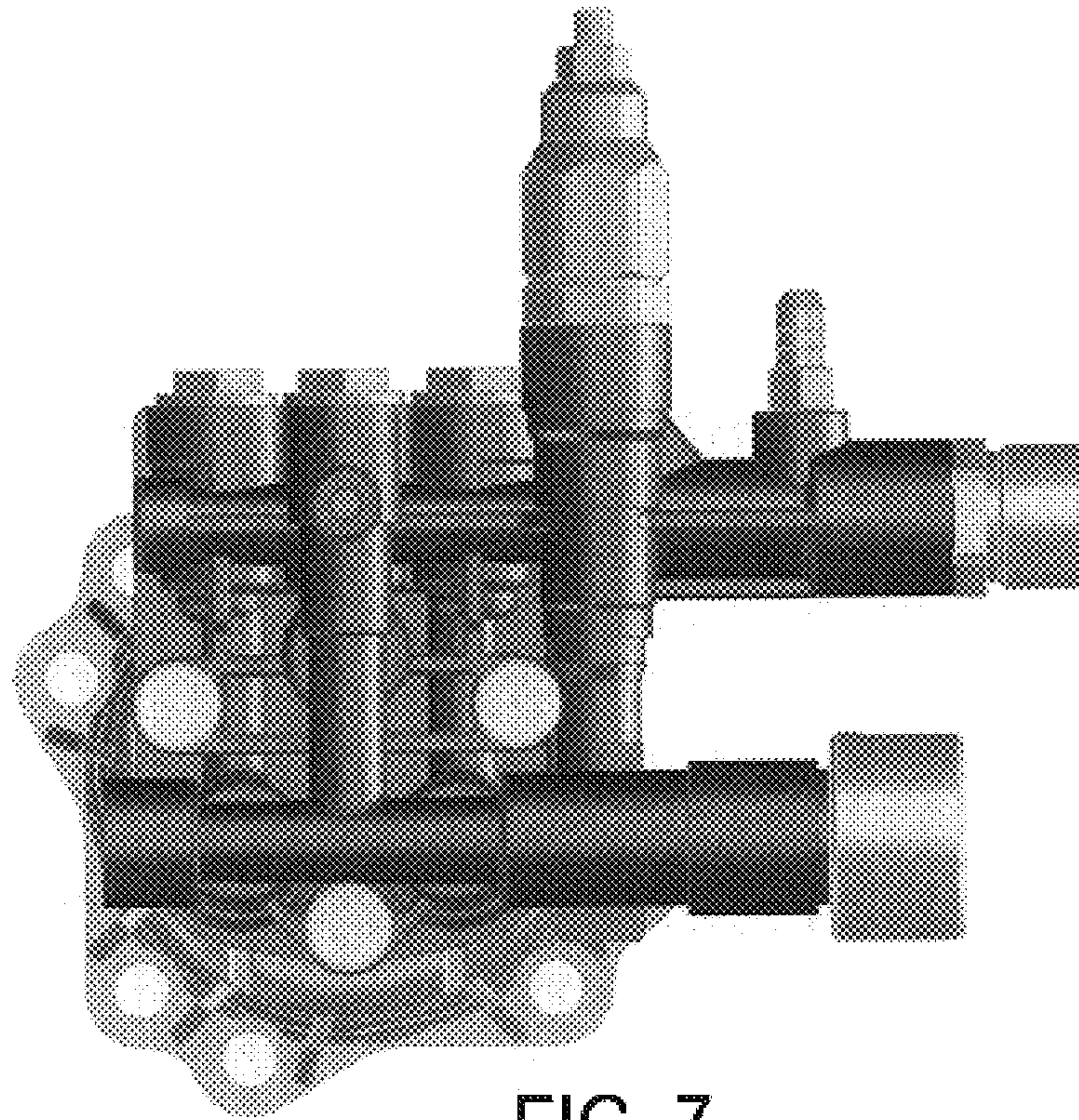


FIG. 7

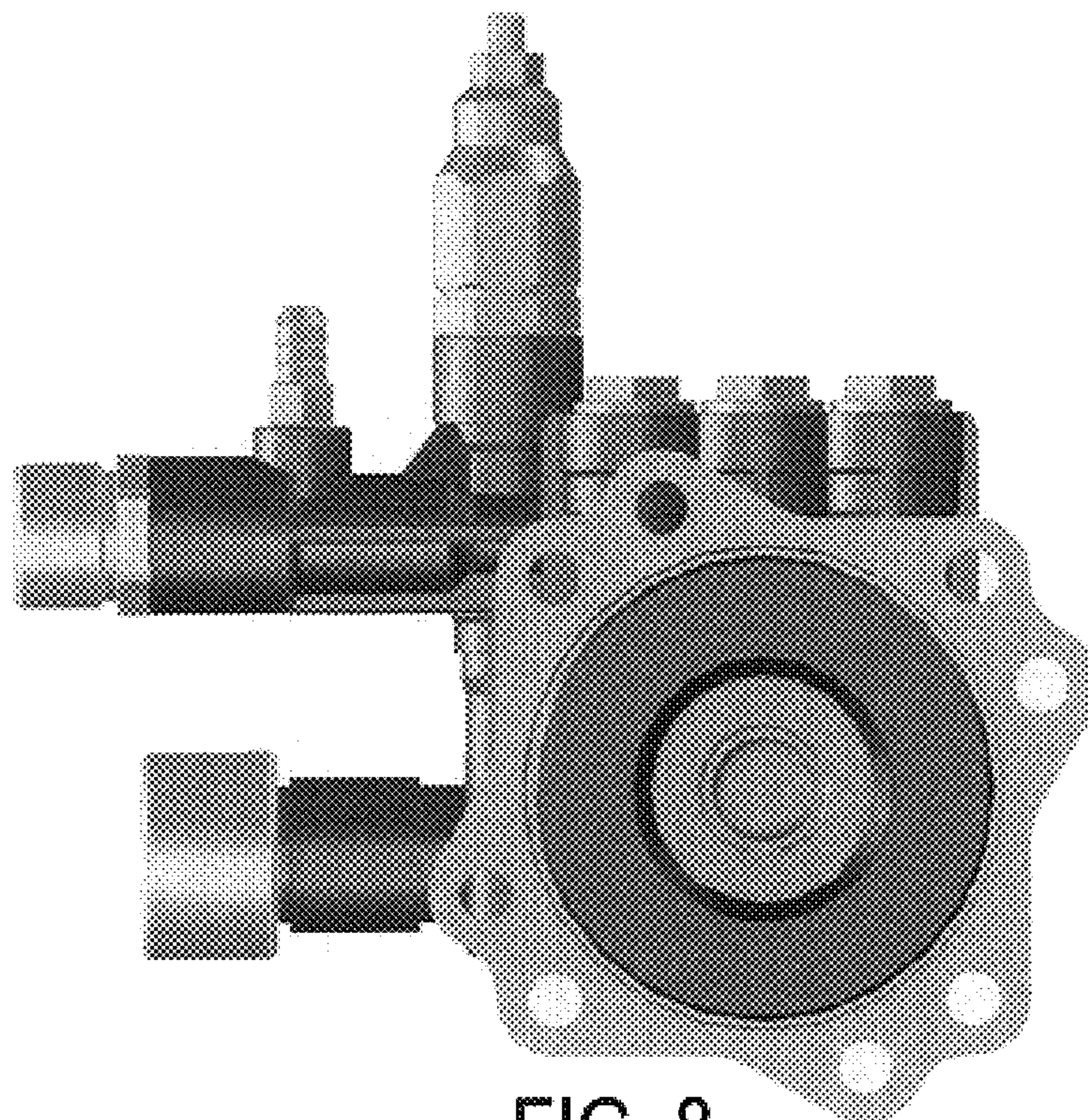


FIG. 8

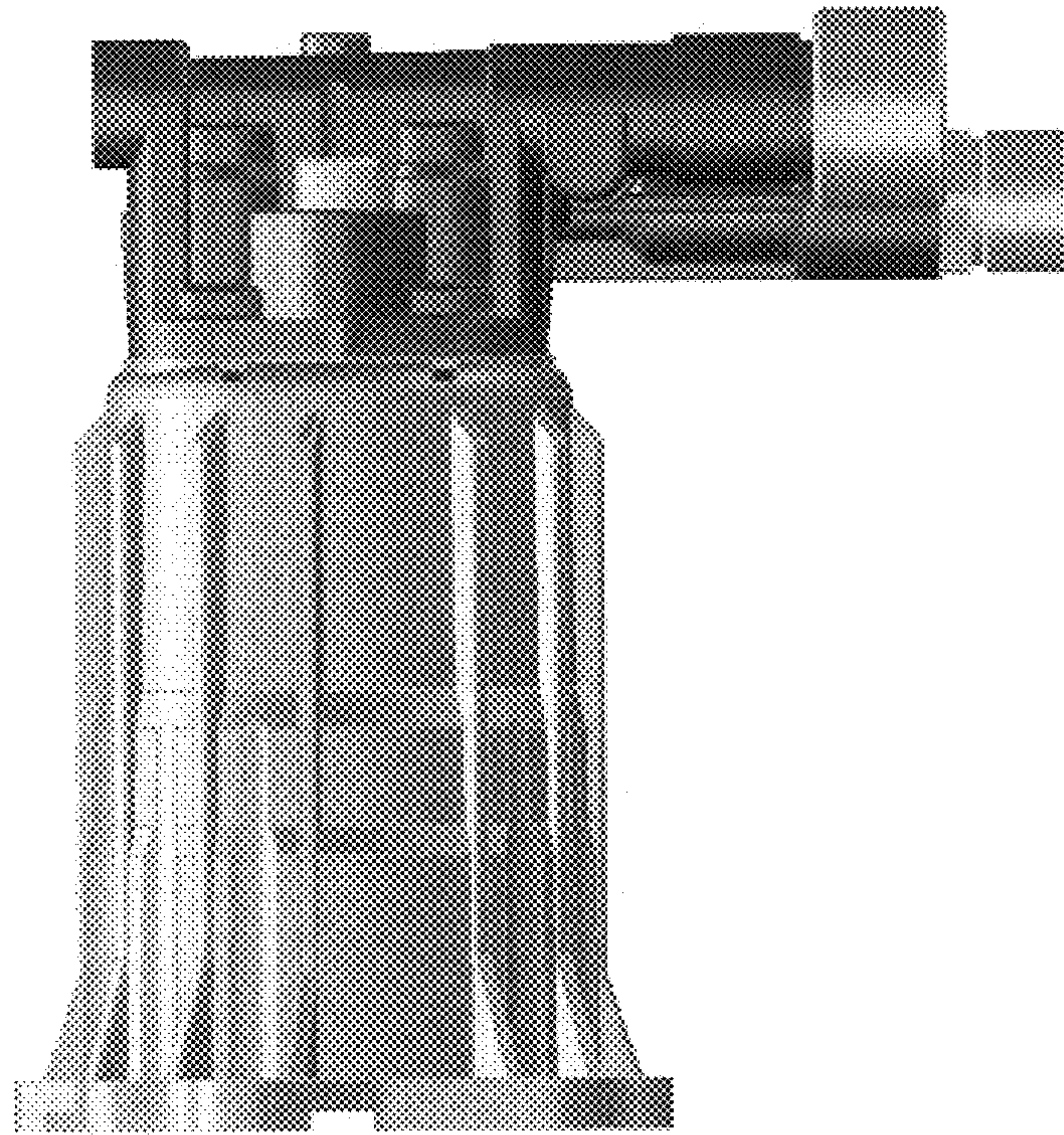


FIG. 9

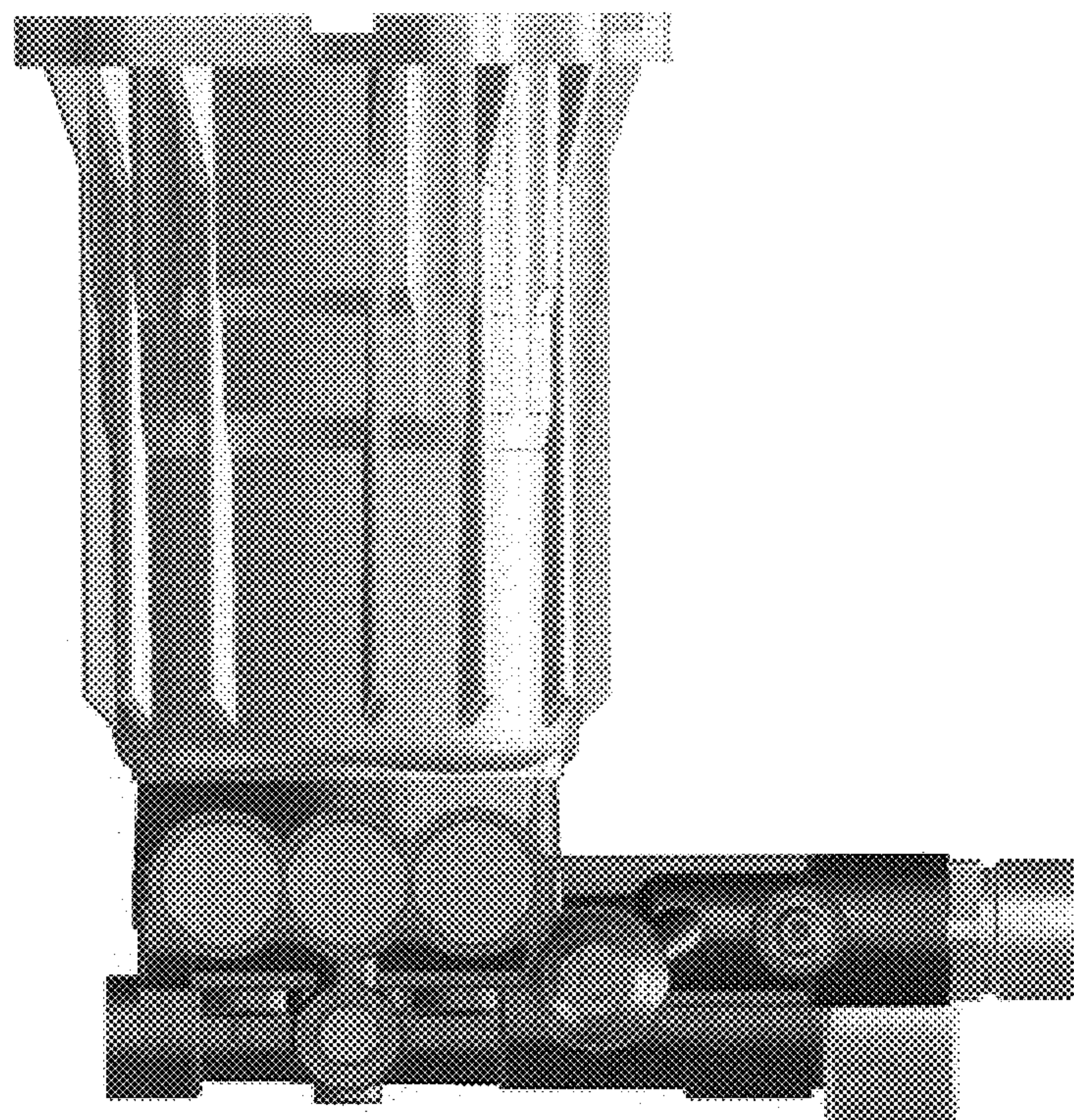


FIG. 10

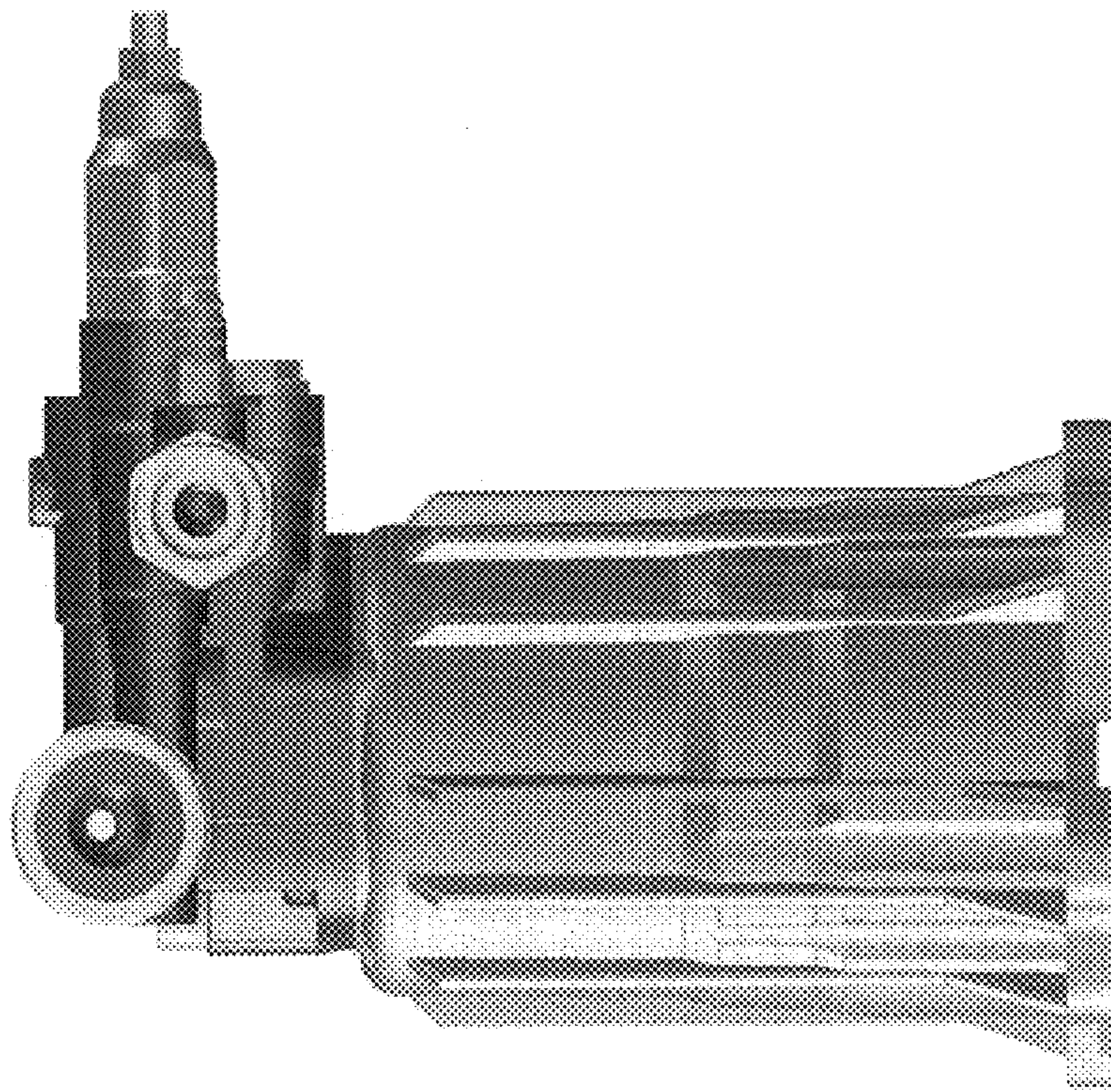


FIG. 11

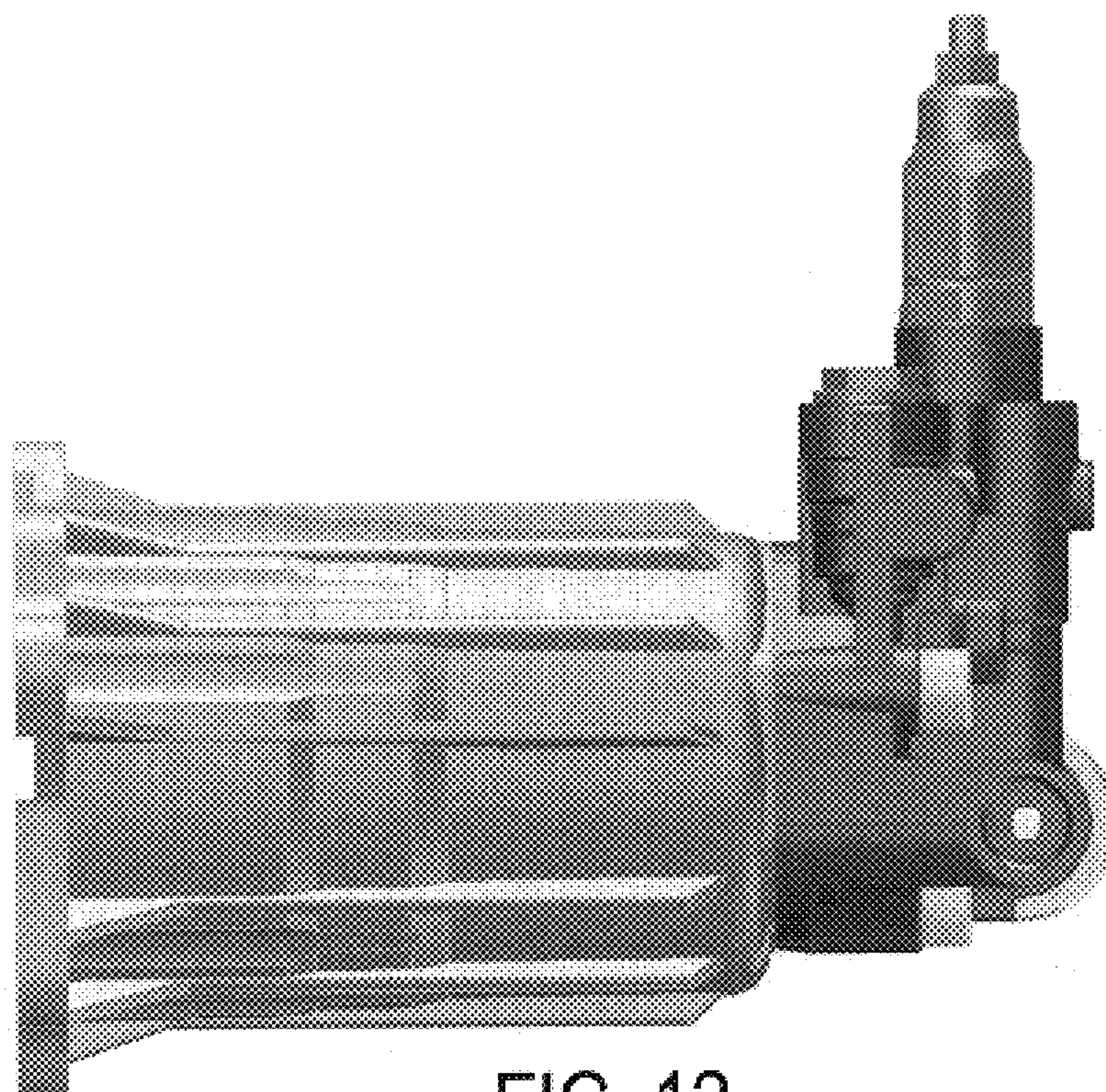


FIG. 12

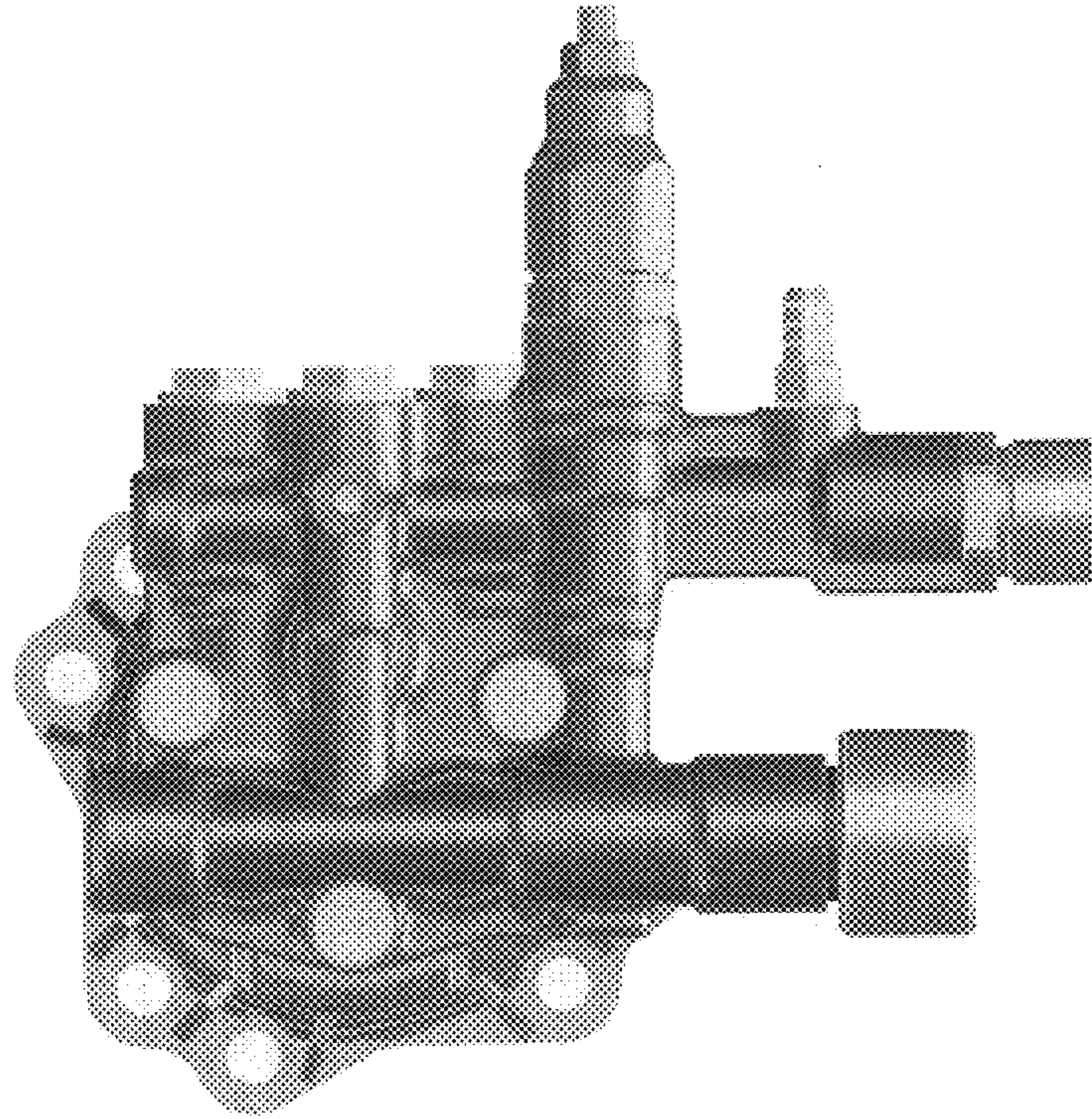


FIG. 13

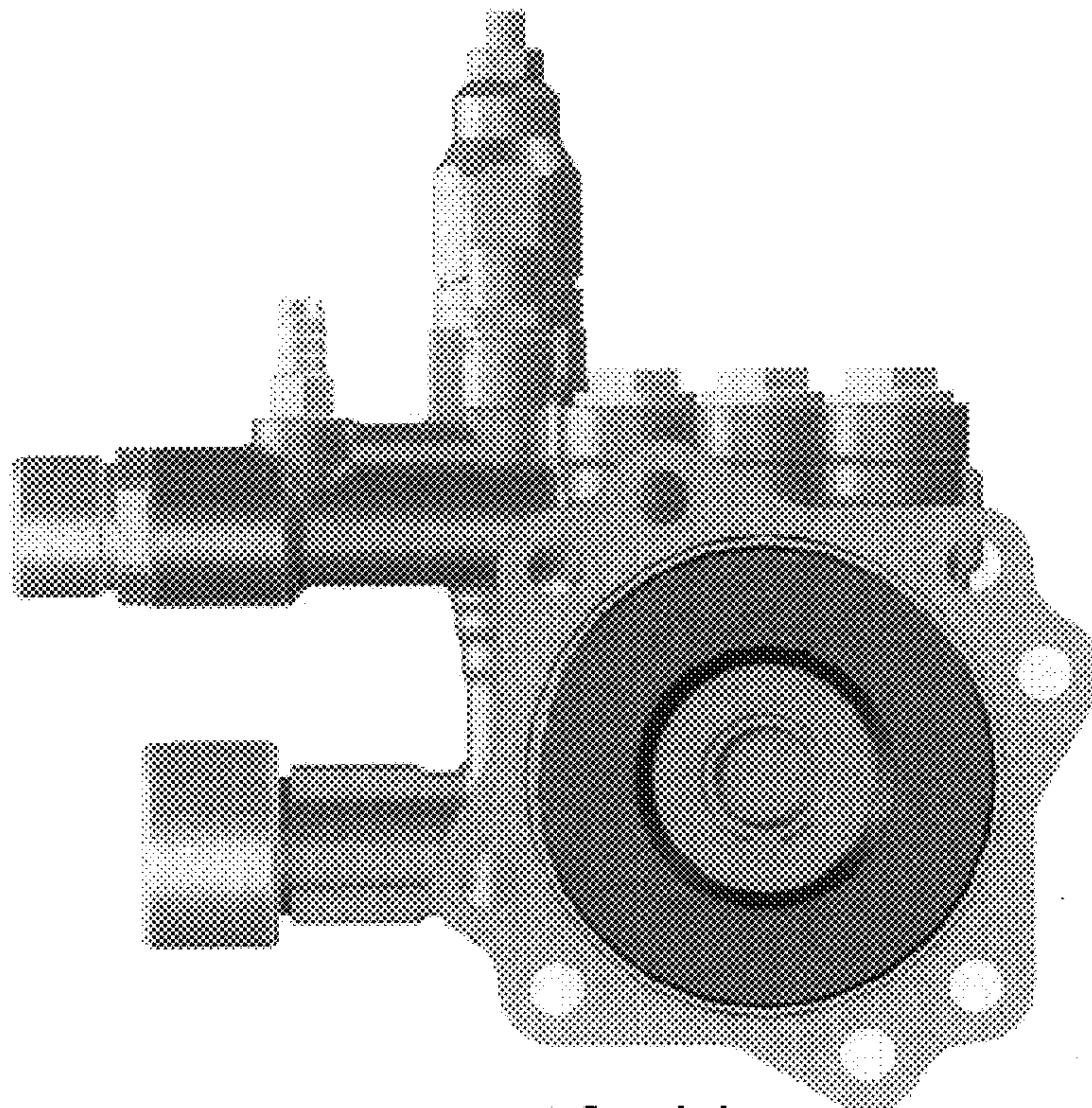


FIG. 14

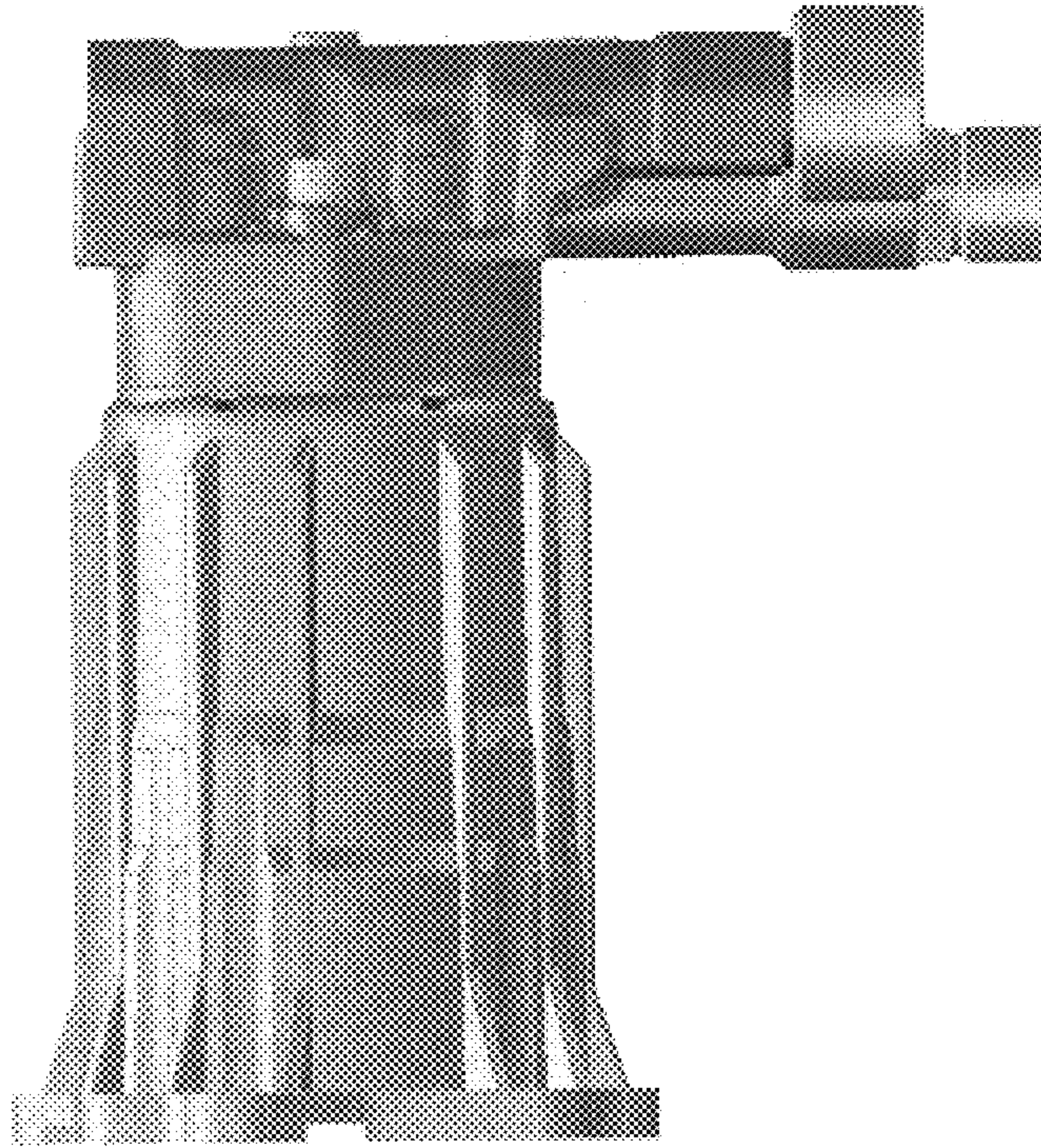


FIG. 15

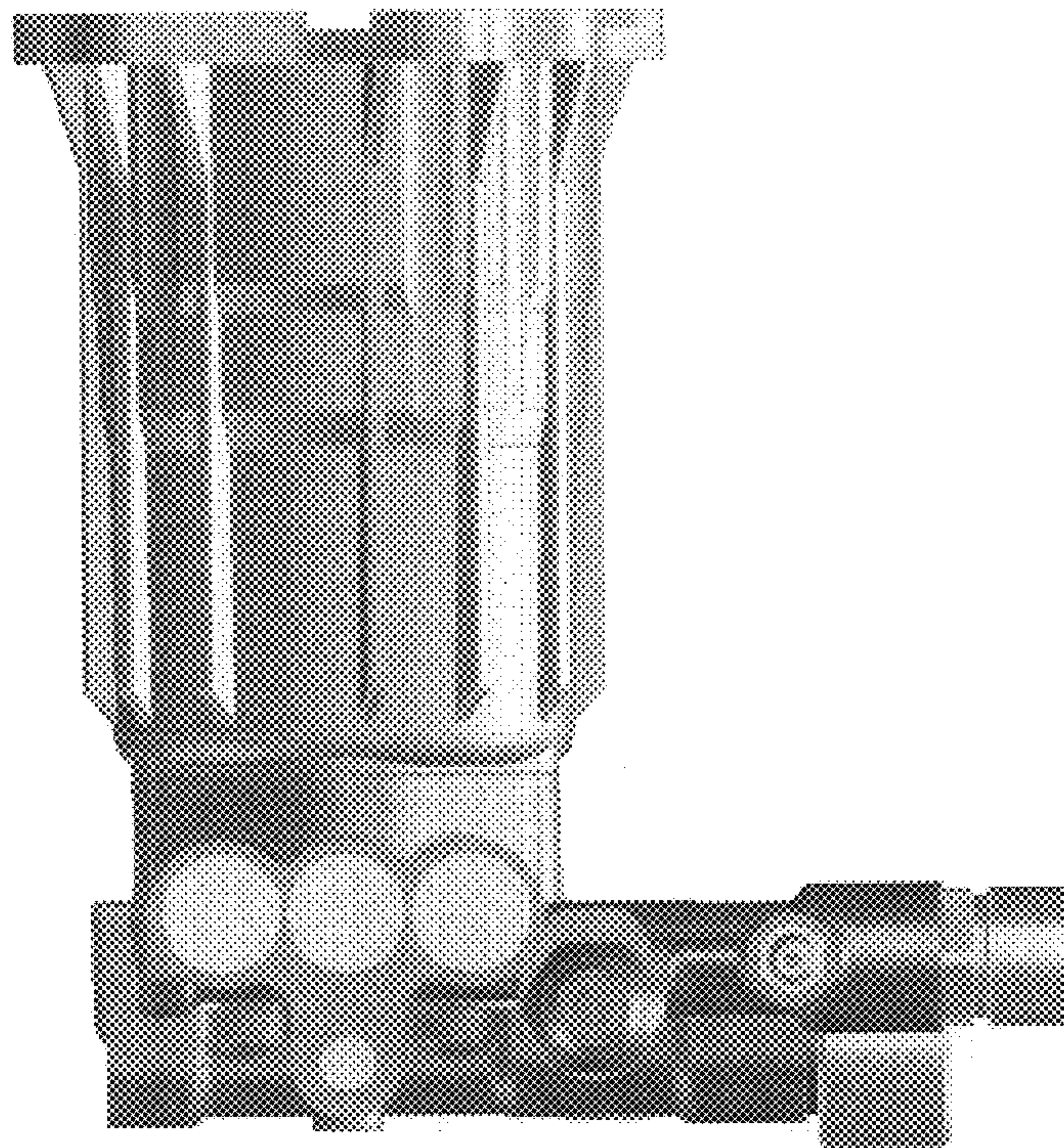


FIG. 16

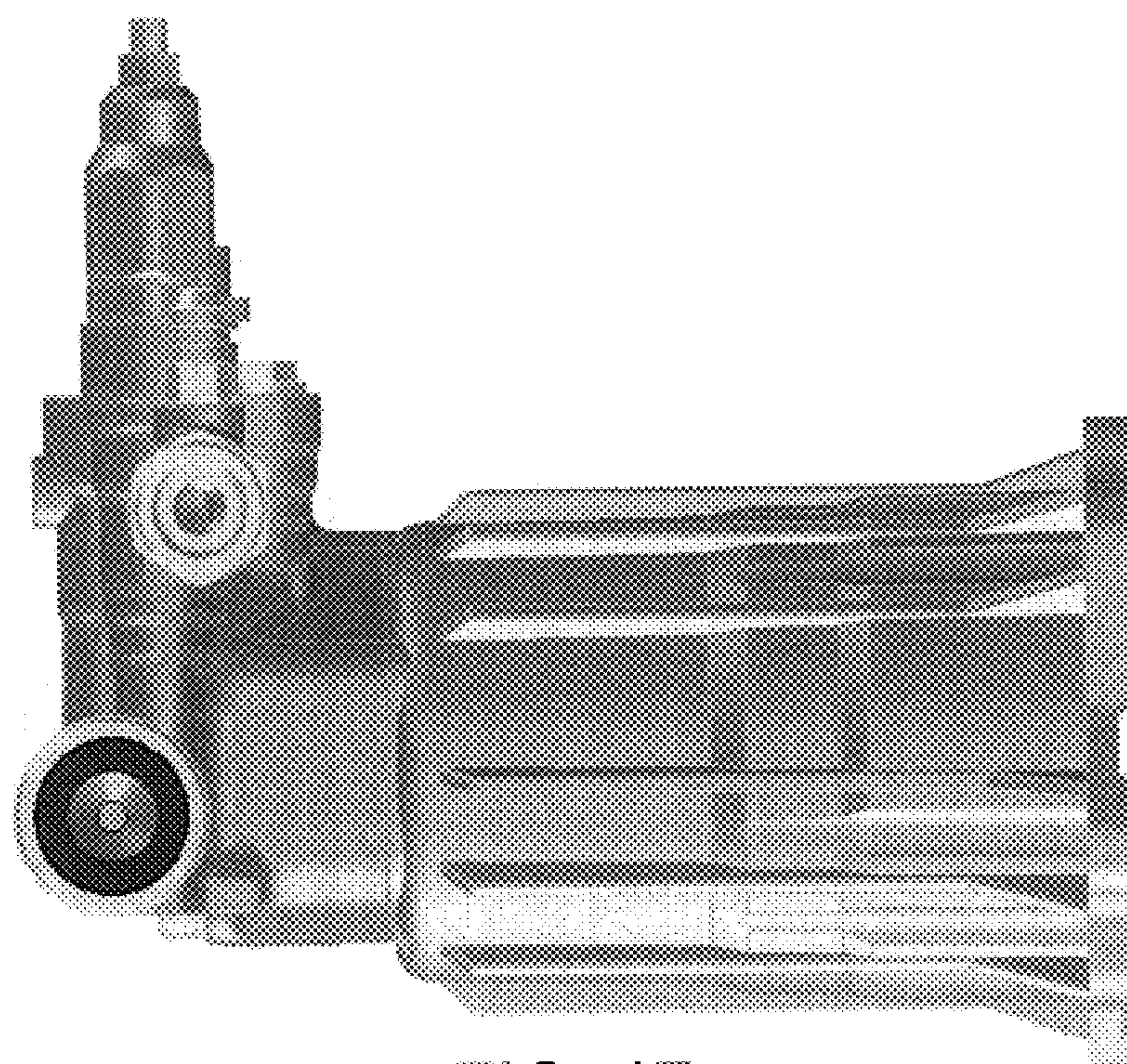


FIG. 17

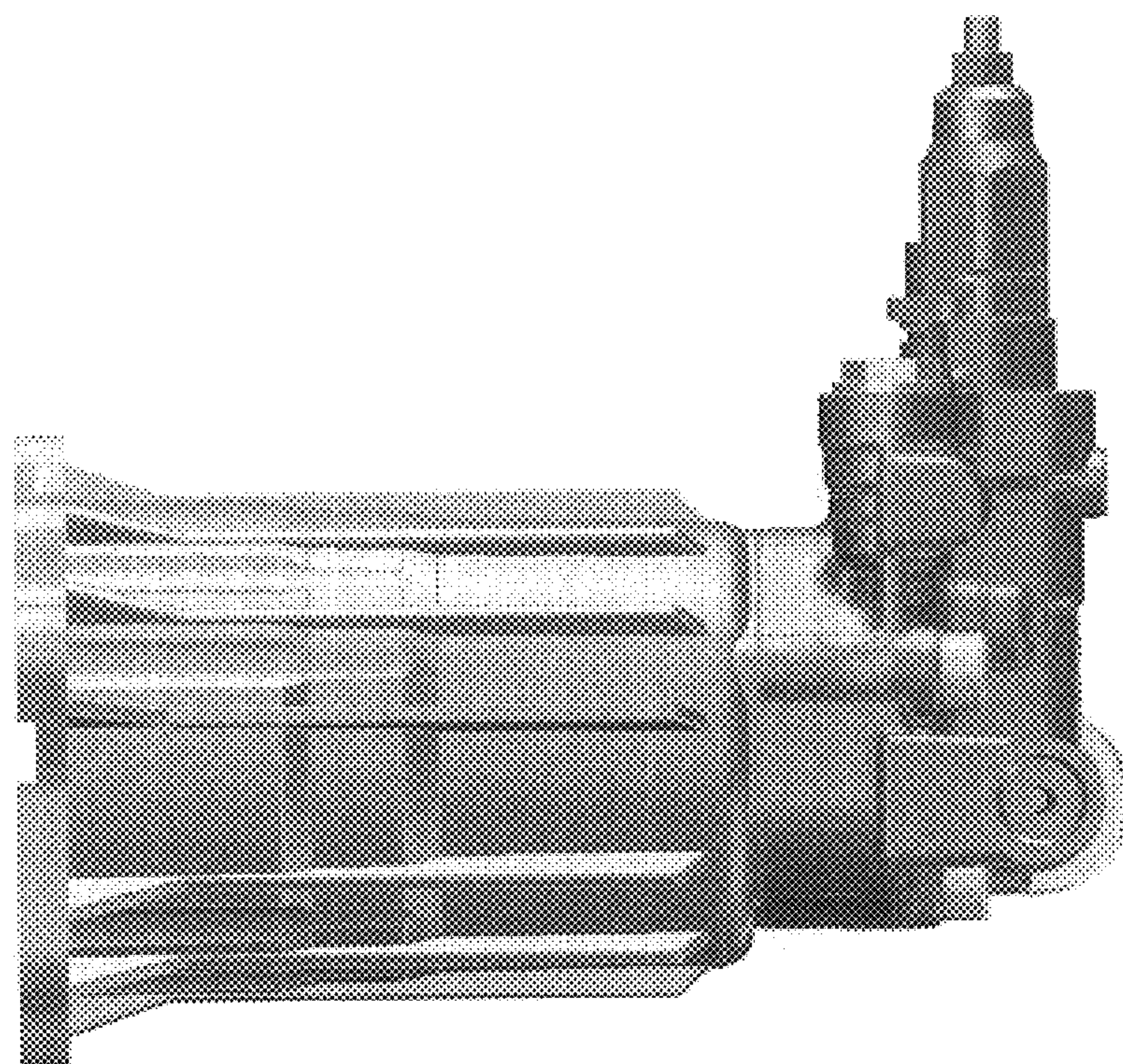


FIG. 18