



US00D539811S

(12) **United States Design Patent** (10) **Patent No.:** **US D539,811 S**
Lee (45) **Date of Patent:** **** Apr. 3, 2007**

(54) **PORTABLE DIGITAL MEDIA PLAYER**

(75) Inventor: **Johann Lee**, Maspeth, NY (US)

(73) Assignee: **Coby Electronics Corporation**,
Maspeth, NY (US)

(**) Term: **14 Years**

(21) Appl. No.: **29/233,858**

(22) Filed: **Jul. 12, 2005**

(51) **LOC (8) Cl.** **14-03**

(52) **U.S. Cl.** **D14/496**

(58) **Field of Classification Search** D14/496,
D14/401, 435, 474, 483, 217, 137, 138, 160,
D14/168; 345/156, 169, 173-179, 905; 715/727-729,
715/864; 455/11.1, 773, 344-347, 93, 95;
370/342-344; 369/1, 2, 6, 12; 463/43-47;
273/148 B

See application file for complete search history.

(56) **References Cited**

U.S. PATENT DOCUMENTS

D328,074 S	7/1992	Yamazaki et al.	
D338,010 S	8/1993	Yamatogi	
D345,162 S	3/1994	Yamatogi	
D345,163 S	3/1994	Yamatogi	
D348,465 S	7/1994	Yamatogi	
D348,466 S	7/1994	Yamatogi	
D358,389 S	5/1995	Isono	
D377,021 S	12/1996	Isono	
D394,062 S	5/1998	Chun	
D399,206 S	10/1998	Yasutomi et al.	
D404,035 S	1/1999	Delazzer	
6,122,526 A	* 9/2000	Parulski et al.	455/556.1
D439,574 S	3/2001	Katayama	
D441,735 S	5/2001	Katayama	
D444,140 S	6/2001	Ishibashi	
D452,226 S	12/2001	Simpson et al.	
D452,250 S	12/2001	Chan	
D453,015 S	1/2002	Yuyama	
D458,245 S	6/2002	Masuda	

(Continued)

Primary Examiner—Prabhakar Deshmukh
(74) Attorney, Agent, or Firm—Mayer Brown Rowe & Maw LLP

(57) **CLAIM**

The ornamental design for a portable digital media player, as shown and described.

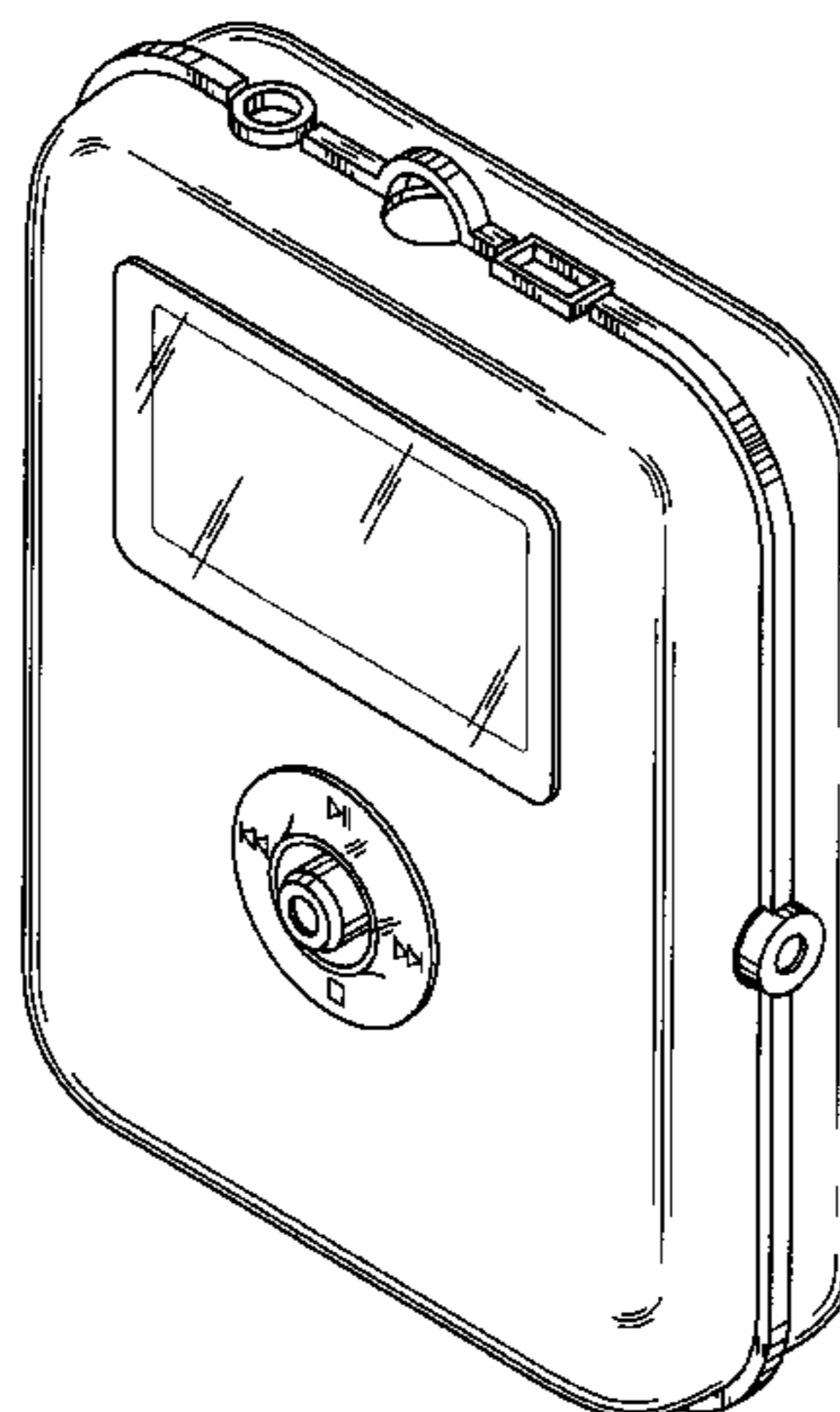
DESCRIPTION

A portion of the disclosure of this patent document includes material which is subject to copyright protection. The copyright owner has no objection to the facsimile reproduction by anyone of the patent document or the patent disclosure, as it appears in the United State Patent and Trademark Office records, however, the copyright owner reserves all copyright rights whatsoever.

FIG. 1 is a perspective view of a portable digital media player according to a first embodiment of my new design; FIG. 2 is a front elevational view thereof; FIG. 3 is a rear elevational view thereof; FIG. 4 is a right side elevational view thereof; FIG. 5 is a left side elevational view thereof; FIG. 6 is a top plan view thereof; FIG. 7 is a bottom plan view thereof; FIG. 8 is a perspective view of a portable digital media player according to a second embodiment of my new design; FIG. 9 is a front elevational view of the embodiment according to FIG. 8; FIG. 10 is a rear elevation view of the embodiment according to FIG. 8; FIG. 11 is a right side elevational view of the embodiment according to FIG. 8; FIG. 12 is a left side elevational view of the embodiment according to FIG. 8; FIG. 13 is a top plan view of the embodiment according to FIG. 8; and, FIG. 14 is a bottom plan view of the embodiment according to FIG. 8.

The broken lines in FIGS. 8-14 are for illustrative purposes only and form no part of the claimed design.

1 Claim, 6 Drawing Sheets



US D539,811 S

Page 2

U.S. PATENT DOCUMENTS

D463,396 S	9/2002	Beraut et al.	D494,188 S	8/2004	Huang	
D469,109 S	1/2003	Andre et al.	6,769,603 B2 *	8/2004	Nagai et al.	235/375
D472,245 S	3/2003	Andre et al.	D497,618 S	10/2004	Andre et al.	
D477,820 S	7/2003	Suzuki et al.	D507,277 S *	7/2005	Sitoh	D14/496
D481,375 S	10/2003	Suzuki	D509,833 S *	9/2005	Yang	D14/496
D486,813 S	2/2004	Chun	D510,081 S *	9/2005	Yang	D14/156
D488,483 S	4/2004	Hu	D510,937 S *	10/2005	Tsai	D14/496
D489,051 S	4/2004	Shiraki et al.	D511,512 S *	11/2005	Yang	D14/156
D489,502 S	4/2004	Shiraki et al.	D513,512 S *	1/2006	Tsai	D14/496
D492,941 S	7/2004	Komiyama	7,046,230 B2 *	5/2006	Zadesky et al.	345/156

* cited by examiner

FIG. 1

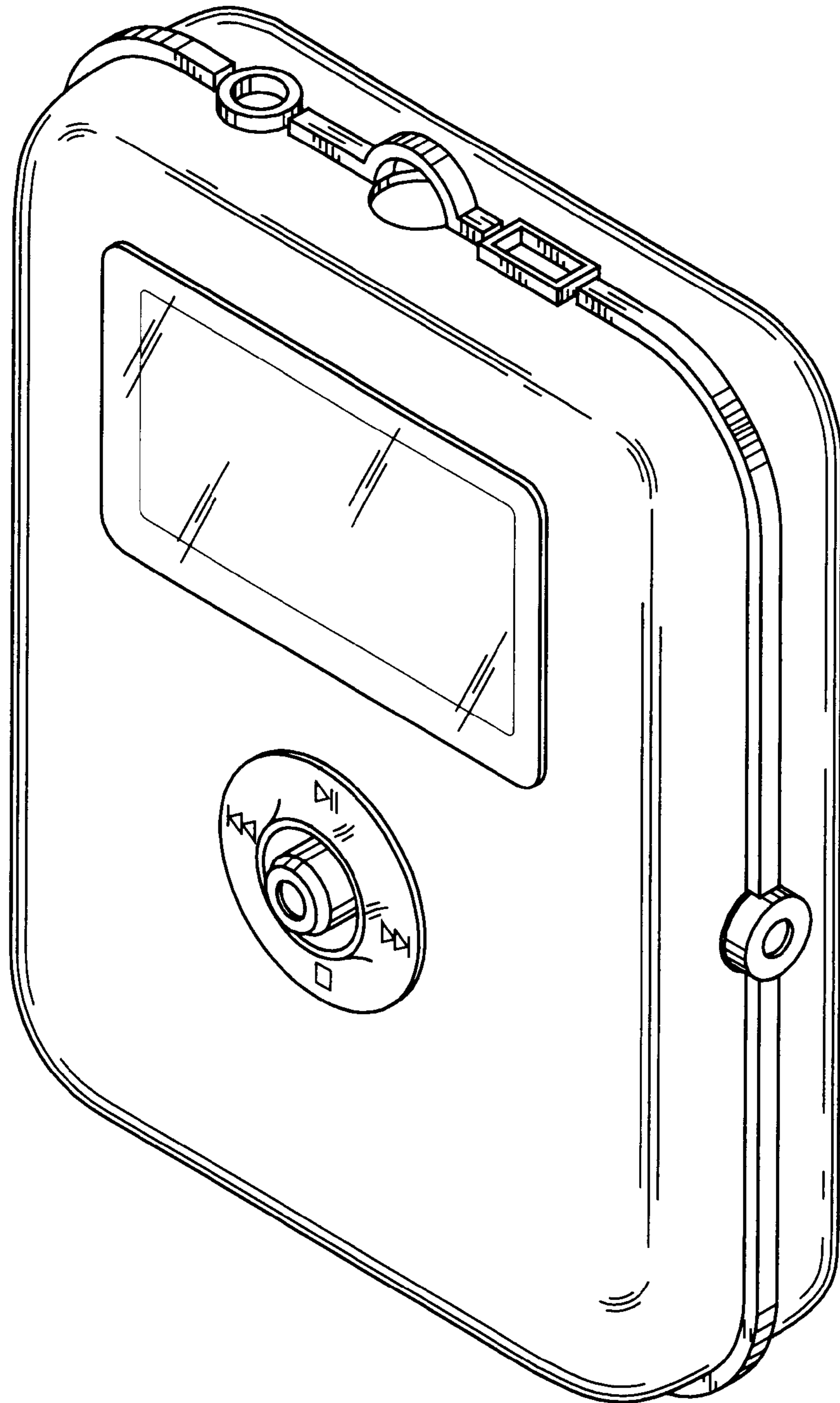


FIG. 3

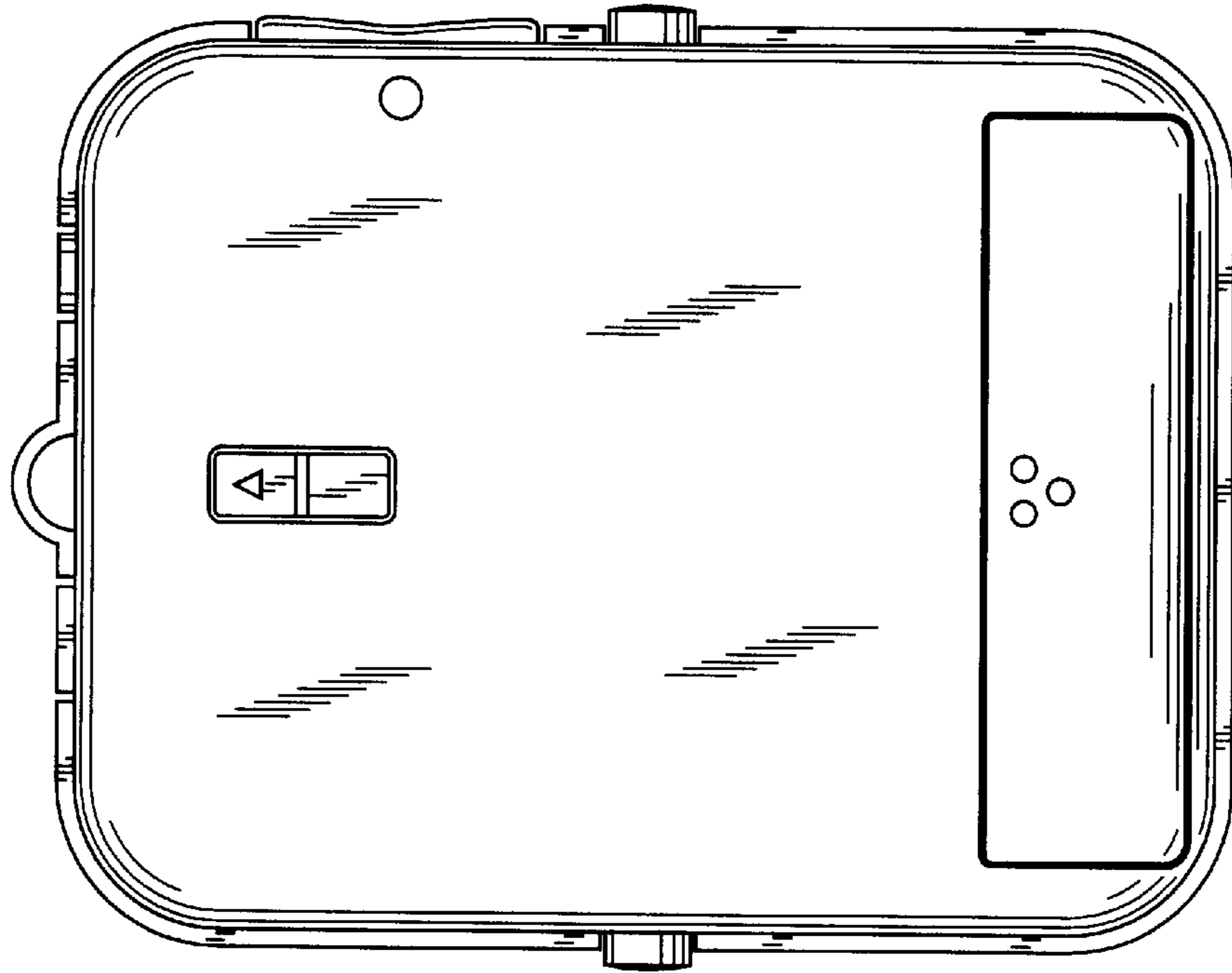


FIG. 2

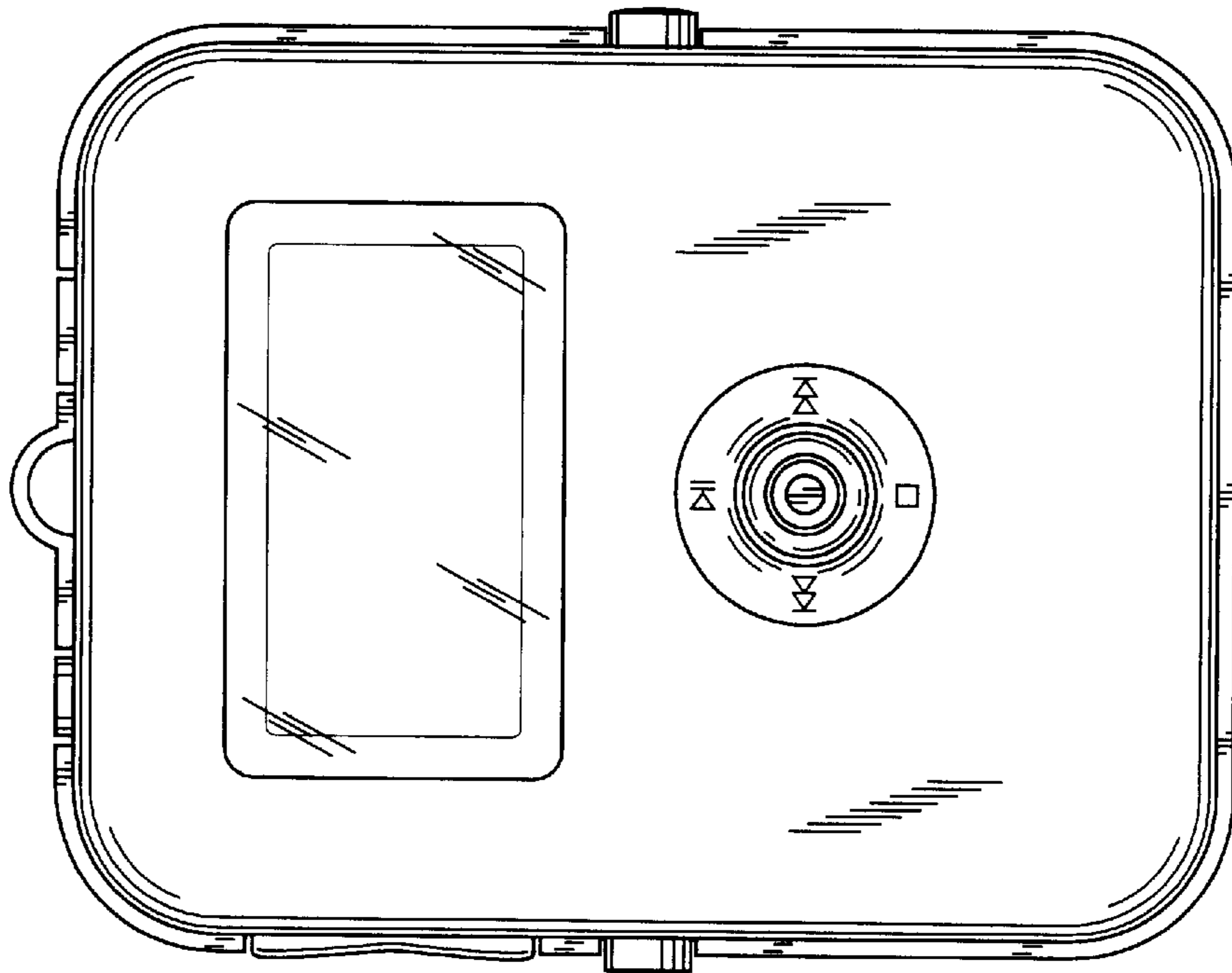


FIG. 4 *FIG. 5*

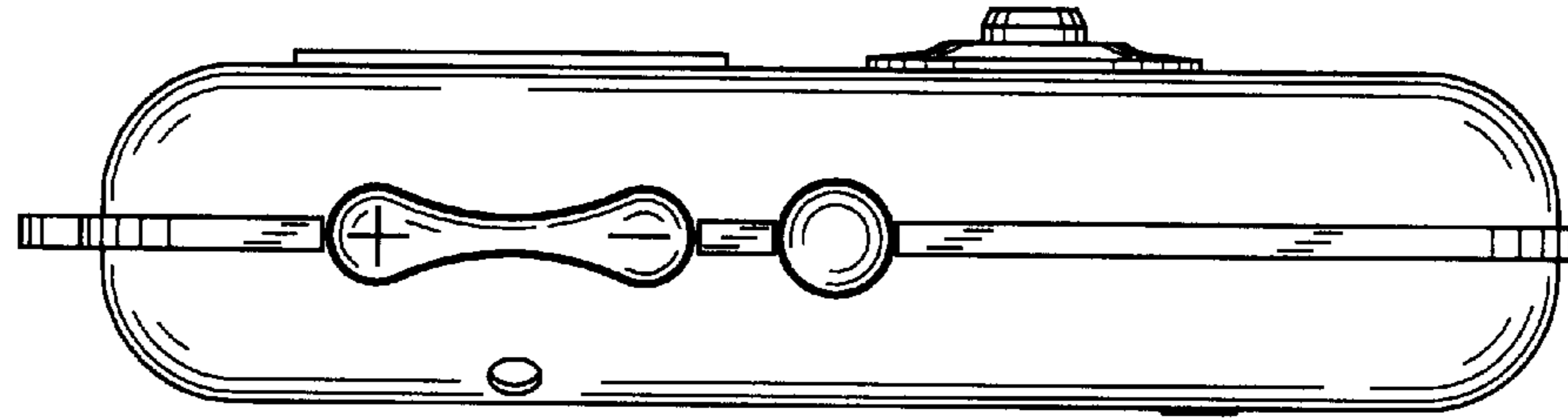
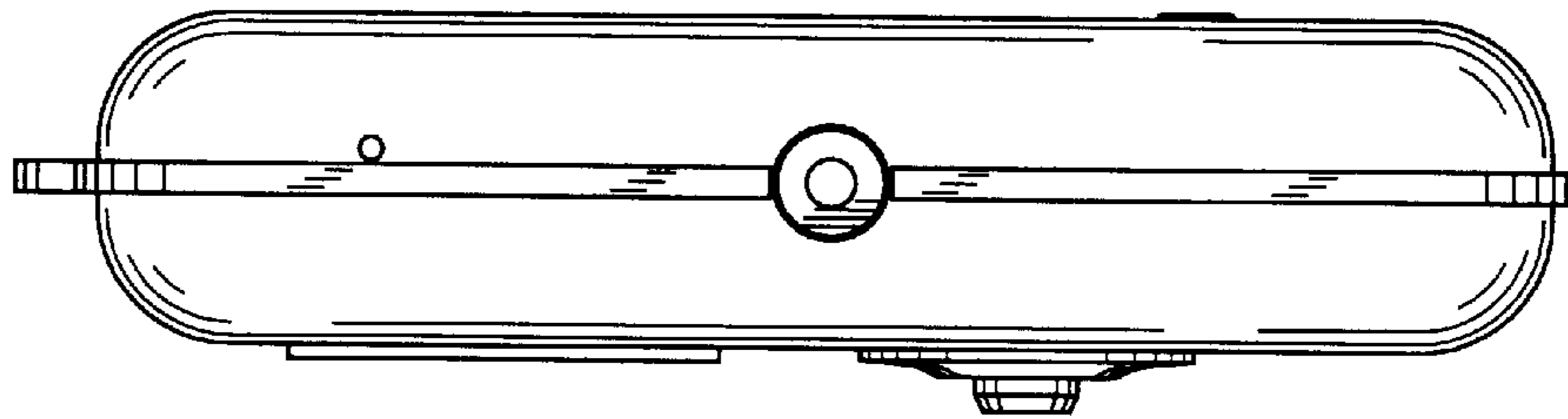


FIG. 6

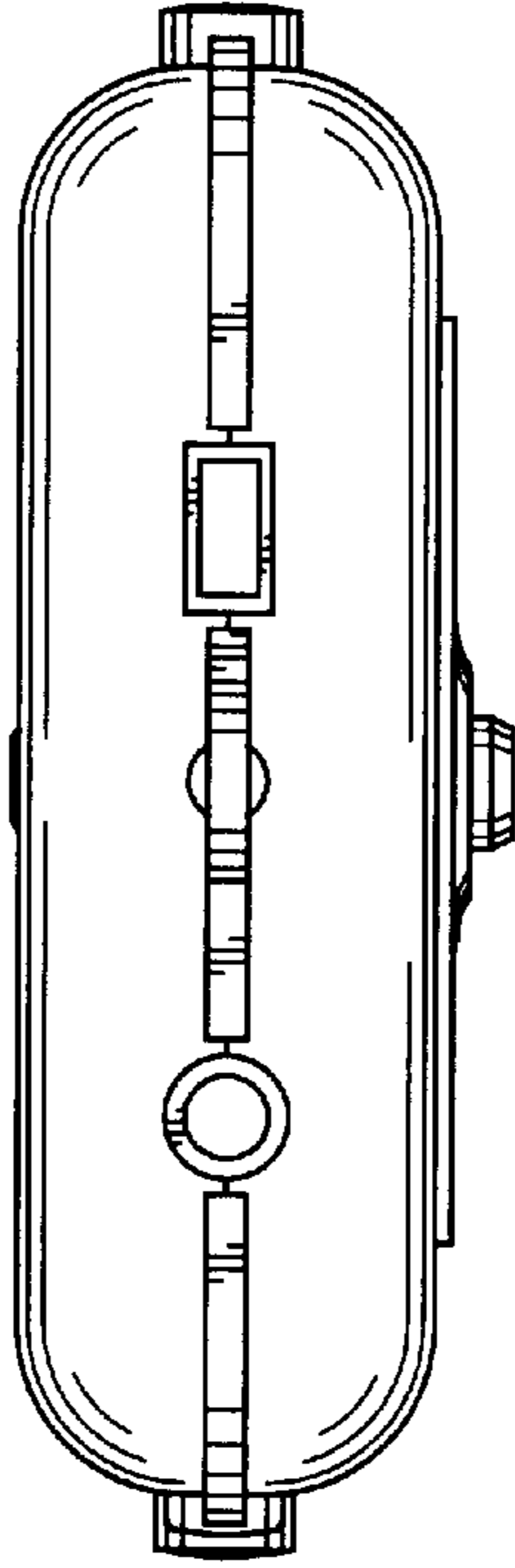


FIG. 7

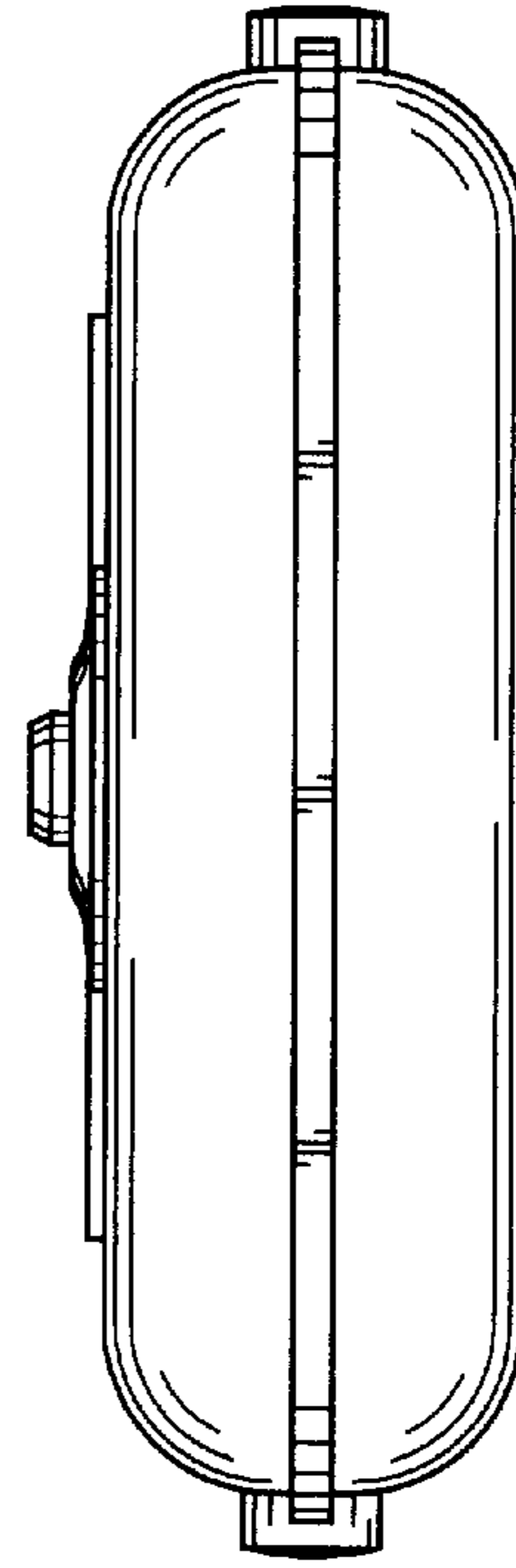


FIG. 8

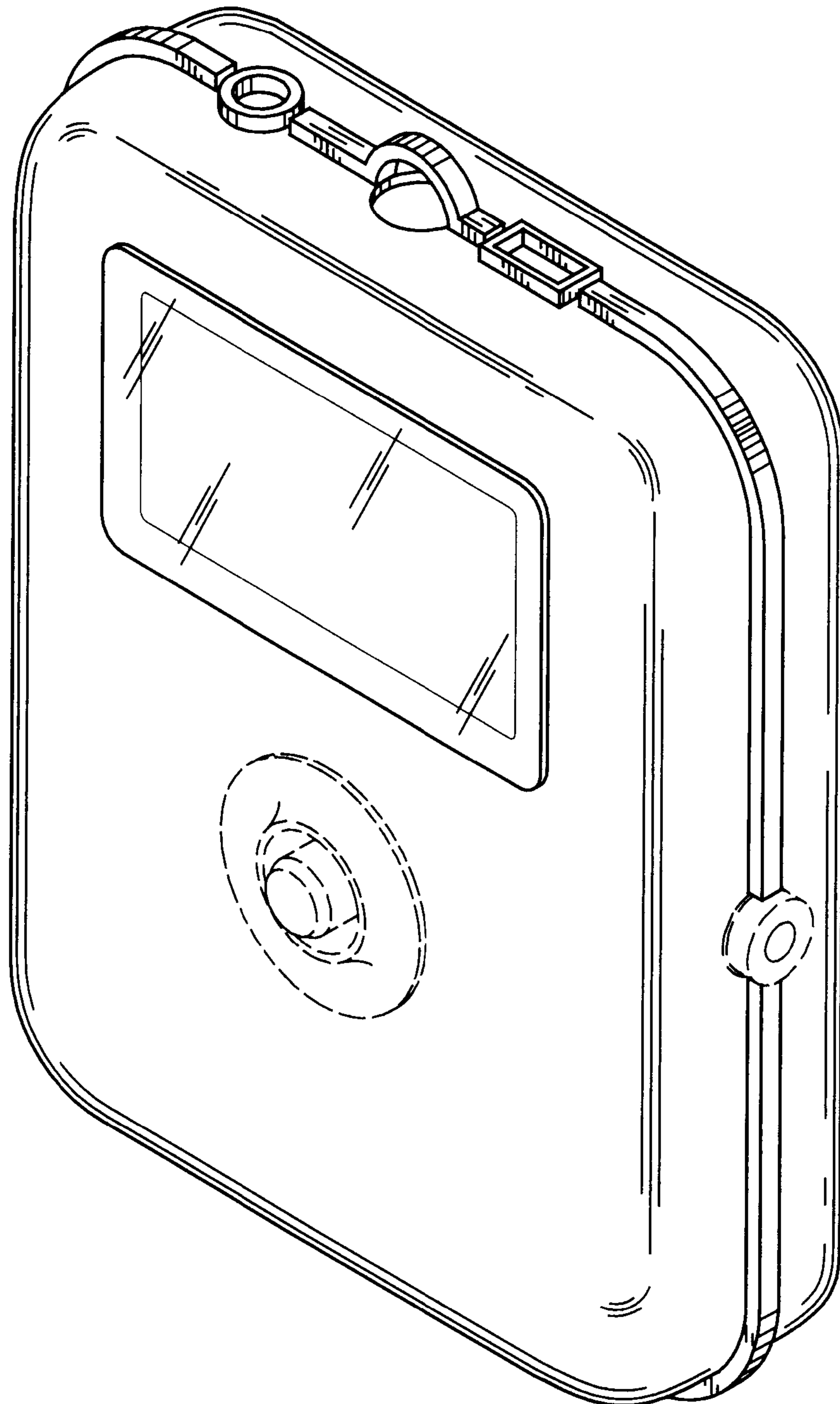


FIG. 10

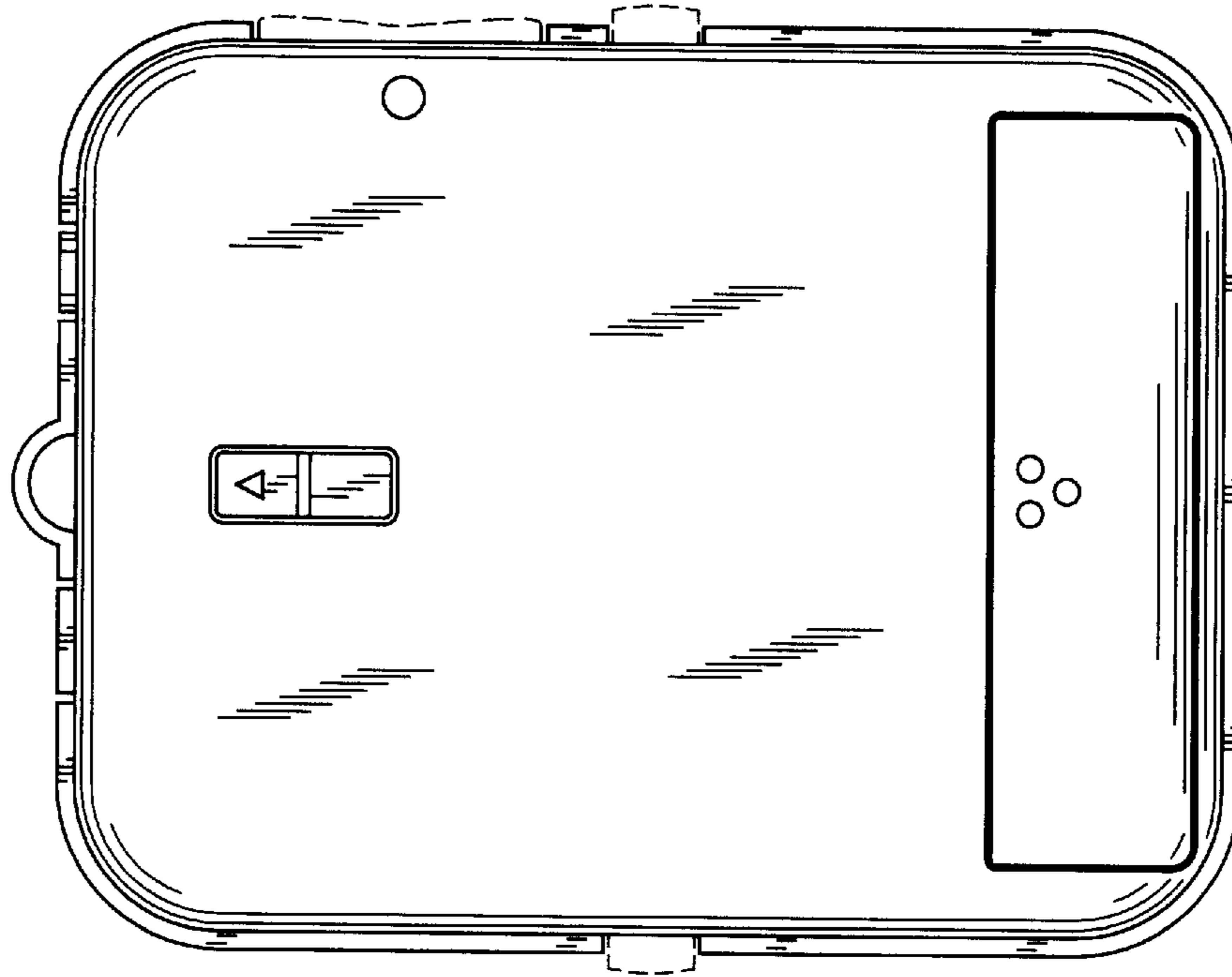


FIG. 9

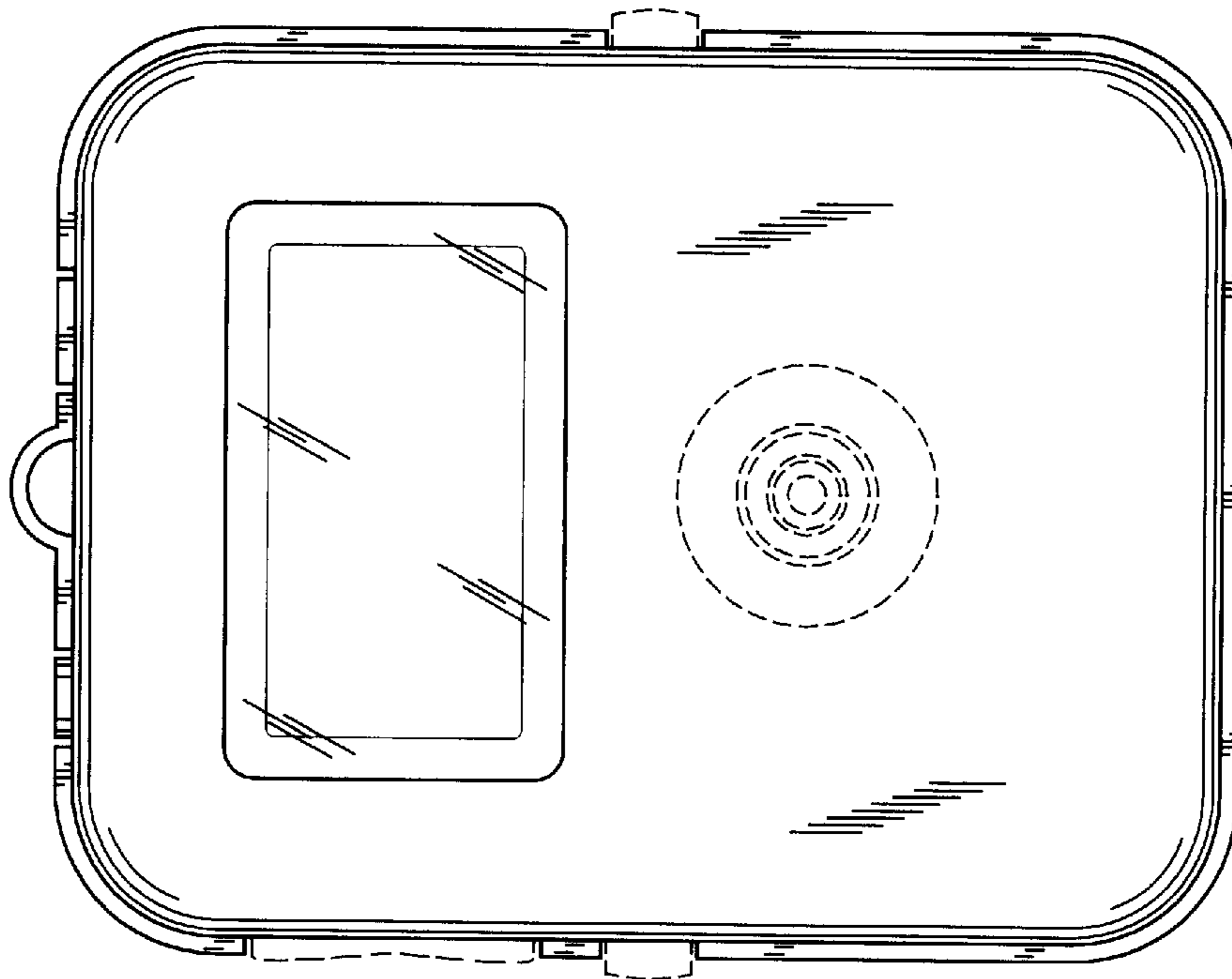


FIG. 11 *FIG. 12*

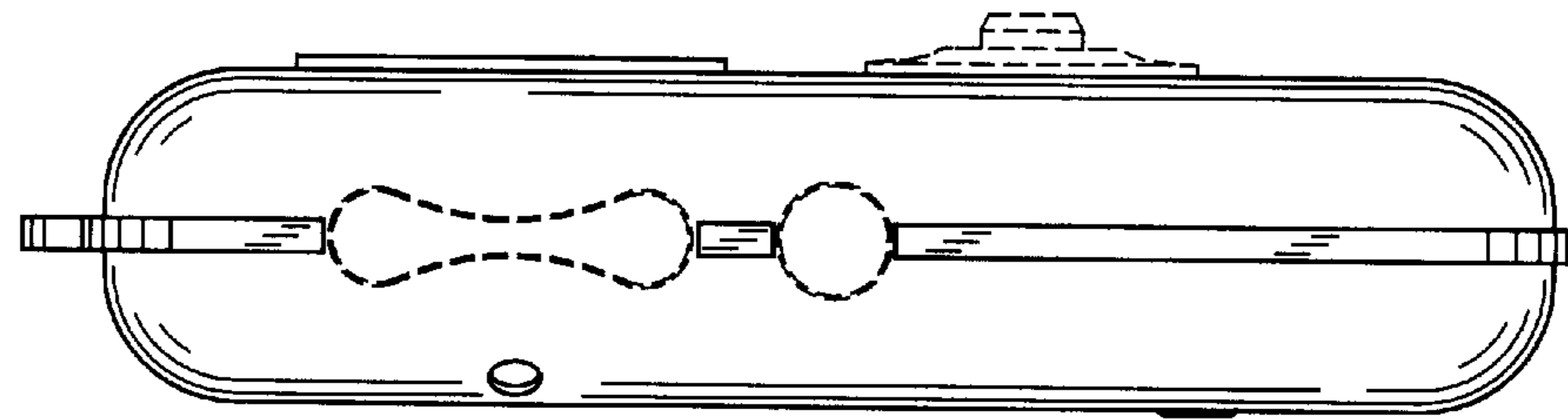
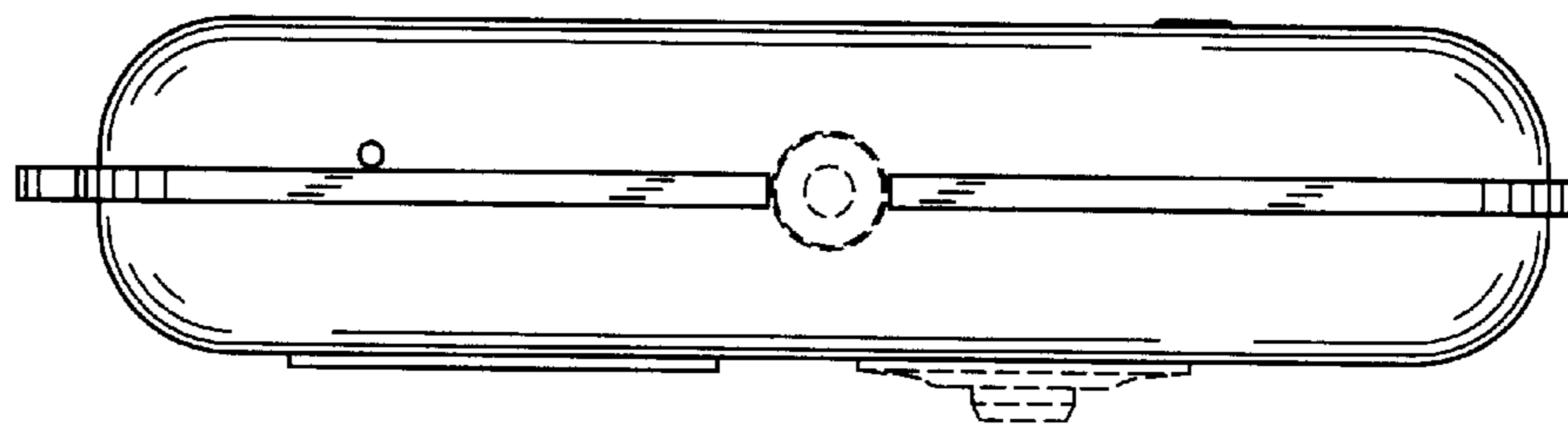


FIG. 13

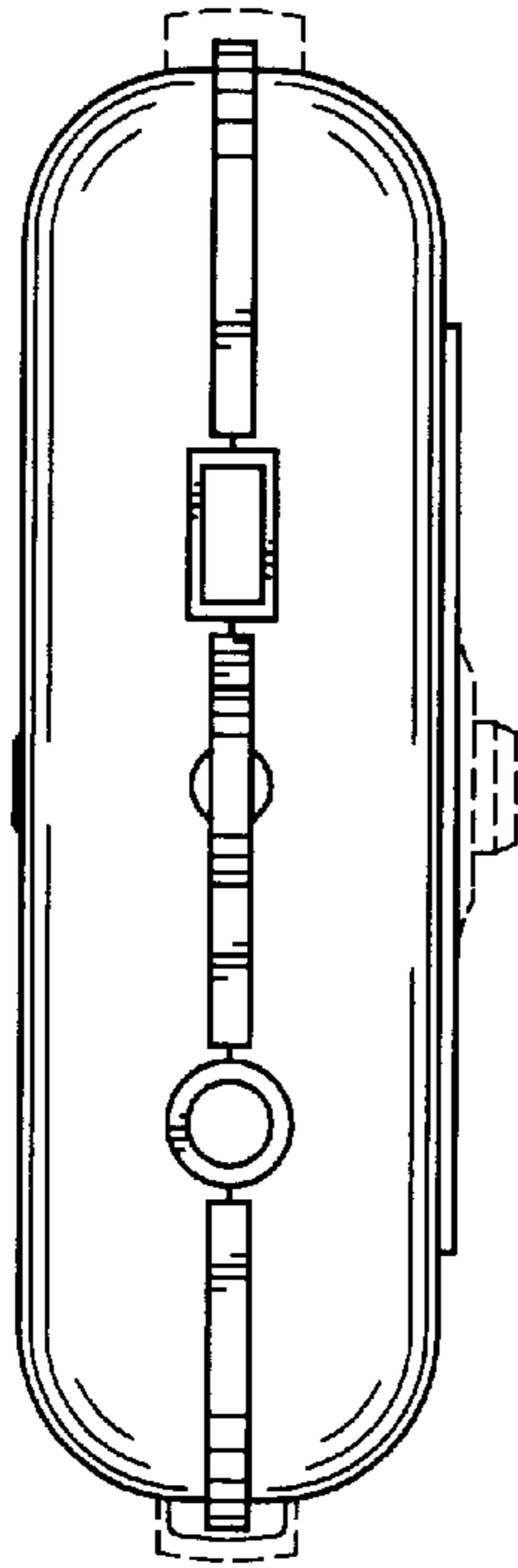


FIG. 14

