



US00D539805S

(12) **United States Design Patent**
Li et al.

(10) **Patent No.:** **US D539,805 S**
(45) **Date of Patent:** **** Apr. 3, 2007**

(54) **STAND FOR COMPUTER ENCLOSURE**

(75) Inventors: **Tao Li**, Shenzhen (CN); **Chun-Chi Liang**, Tu-Cheng (TW); **Jing-Renn Yu**, Tu-Cheng (TW); **Yun-Dong Xu**, Shenzhen (CN); **Ding-Ding Zhang**, Shenzhen (CN); **Ting Xu**, Shenzhen (CN)

(73) Assignee: **Hon Hai Precision Ind. Co., Ltd.**, Taipei Hsien (TW)

(**) Term: **14 Years**

(21) Appl. No.: **29/229,894**

(22) Filed: **May 12, 2005**

(30) **Foreign Application Priority Data**

Mar. 11, 2005 (CN) 200530053917

(51) **LOC (8) Cl.** **08-07**

(52) **U.S. Cl.** **D14/447**

(58) **Field of Classification Search** 248/442.2, 248/918, 279.1, 284.1, 454, 457, 917, 65, 248/211, 441.1, 455, 460, 923, 371, 447, 248/393, 398, 122.1, 127, 133, 136; D14/447, D14/434, 375, 376, 432, 439, 451, 356, 315-16, D14/448; D6/300, 512, 310-12, 317, 419, D6/462, 566; 361/683, 686; 108/10, 28, 32, 108/6; D19/86, 90-1; D7/601, 388; D2/642; 141/390; 211/38

See application file for complete search history.

(56) **References Cited**

U.S. PATENT DOCUMENTS

D26,931 S * 4/1897 Taylor D6/462
2,461,374 A * 2/1949 Custer 248/146
D165,358 S * 12/1951 Baldwin D6/462
3,083,425 A * 4/1963 Minnerly, Jr. 24/67.9
3,730,354 A * 5/1973 Bronstein 211/38

3,984,074 A * 10/1976 Forman et al. 248/451
4,175,602 A * 11/1979 Cavalaris et al. 141/390
4,237,587 A * 12/1980 Hsiao et al. 24/555
D275,245 S * 8/1984 Pack D6/462
D290,794 S * 7/1987 Mingledorff, Jr. D6/462
D292,763 S * 11/1987 Rich D6/462
D297,794 S * 9/1988 Bateman D6/512
4,893,771 A * 1/1990 Kaneshiro 248/176.1
4,979,759 A * 12/1990 Solovay 280/293
D317,077 S * 5/1991 Schulz D2/642
5,022,124 A * 6/1991 Yiin 24/67.9
D327,666 S * 7/1992 Carlson D12/115
D338,040 S * 8/1993 Hutchinson D19/65
D367,000 S * 2/1996 Martin D8/370
D398,483 S * 9/1998 Stocco D7/601
D430,884 S * 9/2000 Hung D14/447
D476,847 S * 7/2003 Kingsley et al. D7/388

* cited by examiner

Primary Examiner—M. H. Tung

Assistant Examiner—Susan Moon Lee

(74) *Attorney, Agent, or Firm*—Wei Te Chung

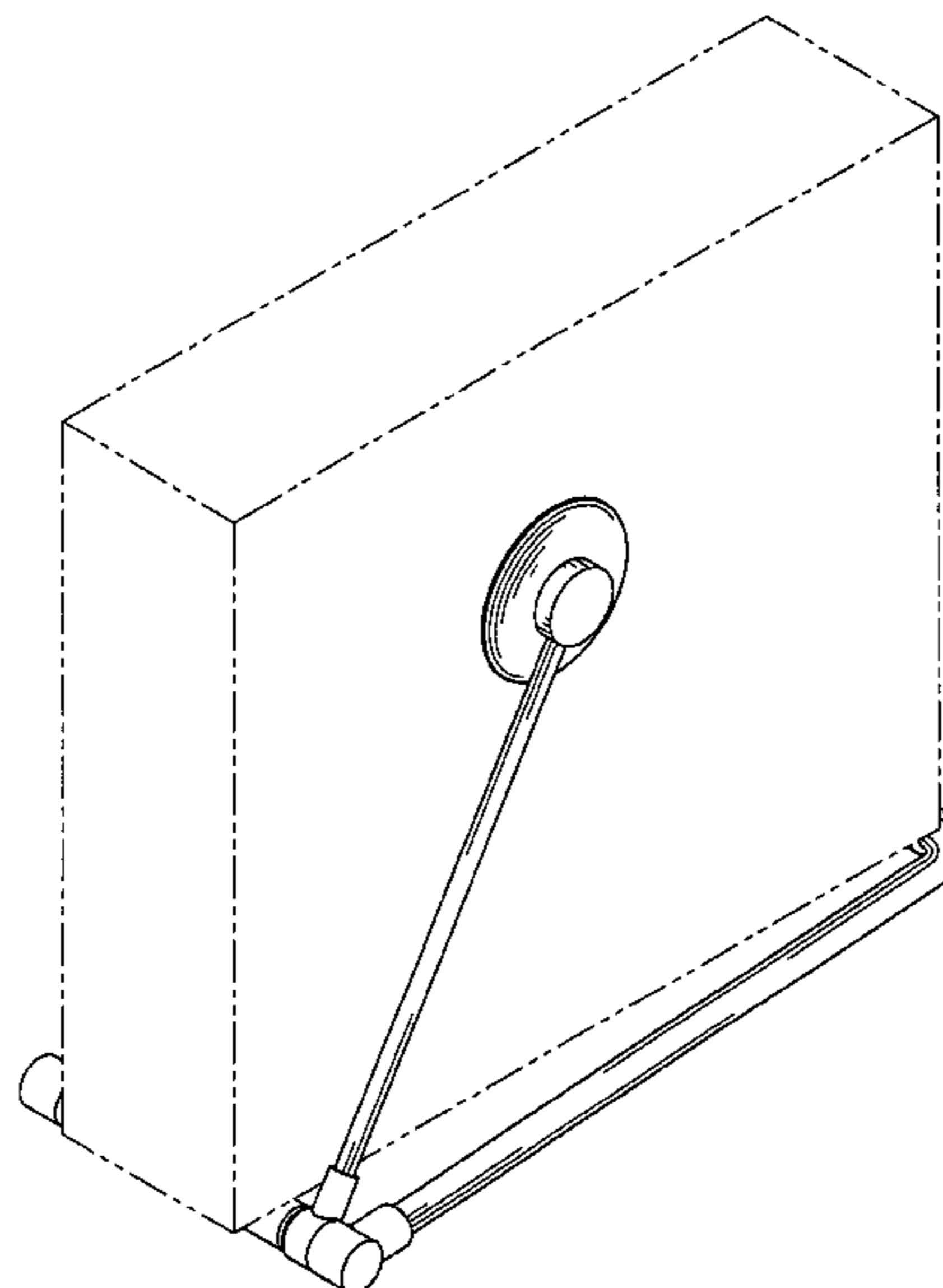
(57) **CLAIM**

The ornamental design for a stand for computer enclosure, as shown and described.

DESCRIPTION

FIG. 1 is an isometric view of a stand for computer enclosure of our new design;
FIG. 2 is a front elevational view thereof;
FIG. 3 is a rear elevational view thereof;
FIG. 4 is a left side elevational view thereof;
FIG. 5 is a right side elevational view thereof;
FIG. 6 is a top plan view thereof;
FIG. 7 is a bottom plan view thereof; and,
FIG. 8 is a reduced scale isometric view thereof being mounted to a computer enclosure, wherein the computer enclosure is shown in broken lines for illustrative purposes only and forms no part of the claimed design.

1 Claim, 8 Drawing Sheets



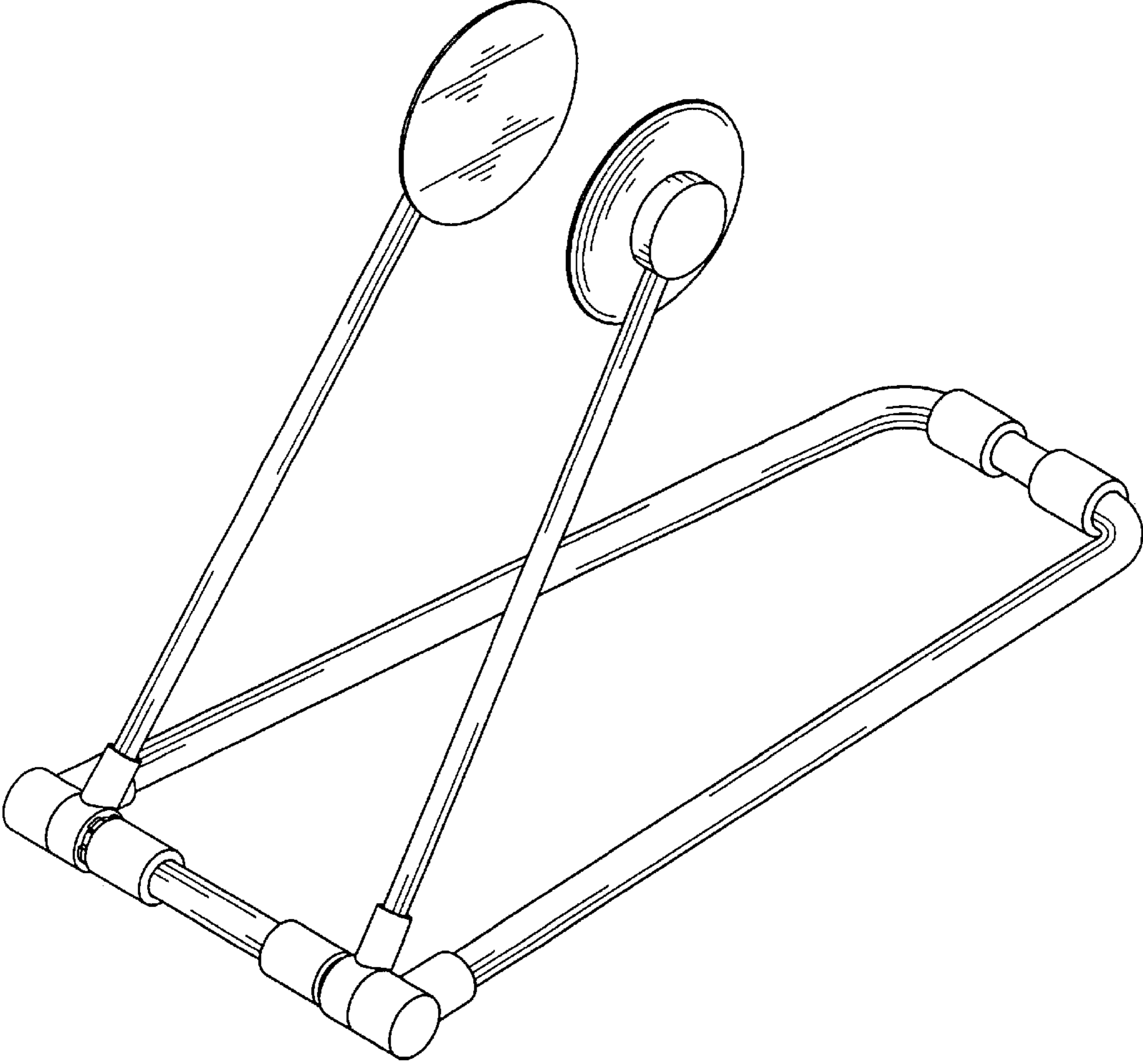


FIG. 1

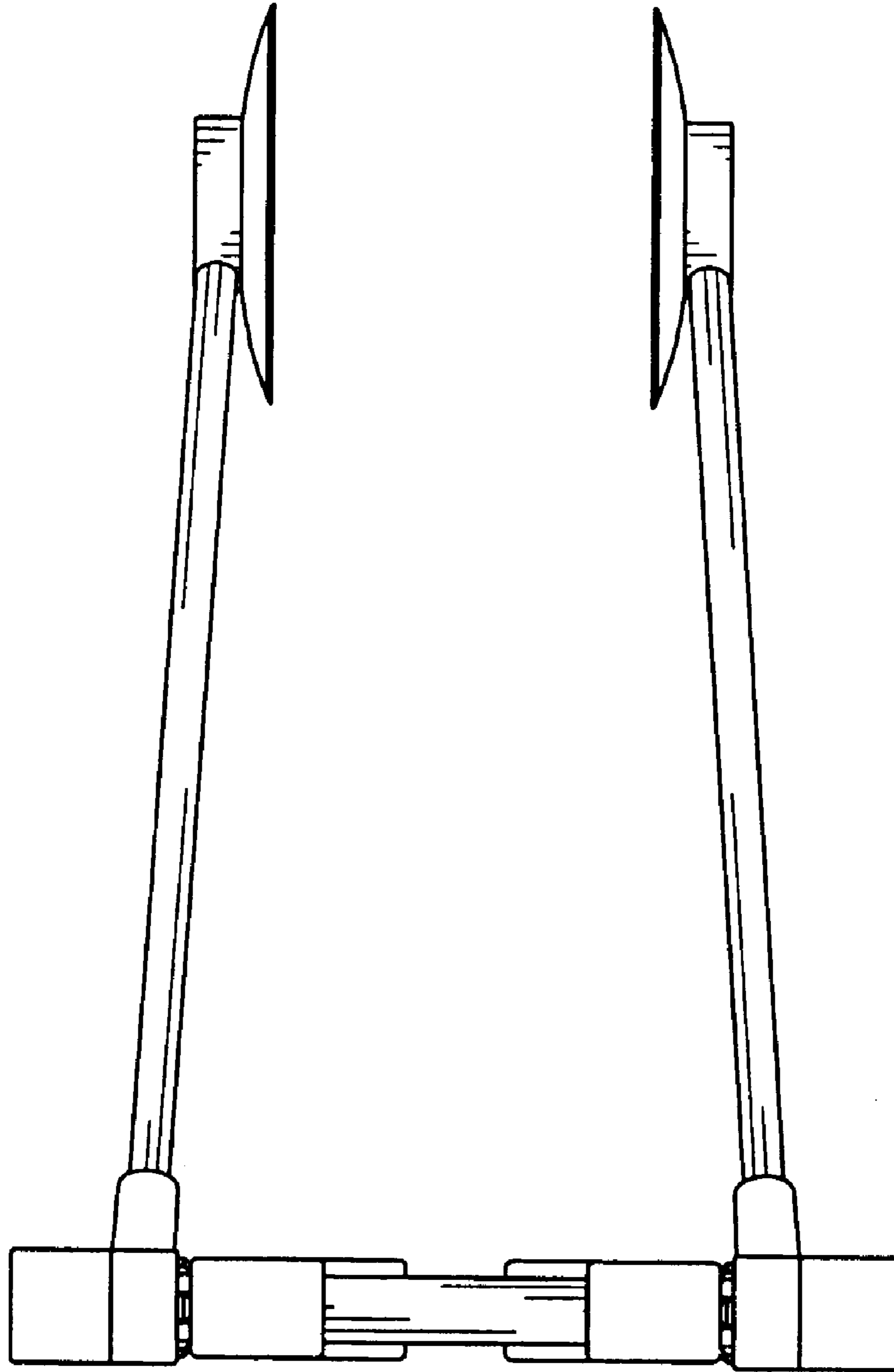


FIG. 2

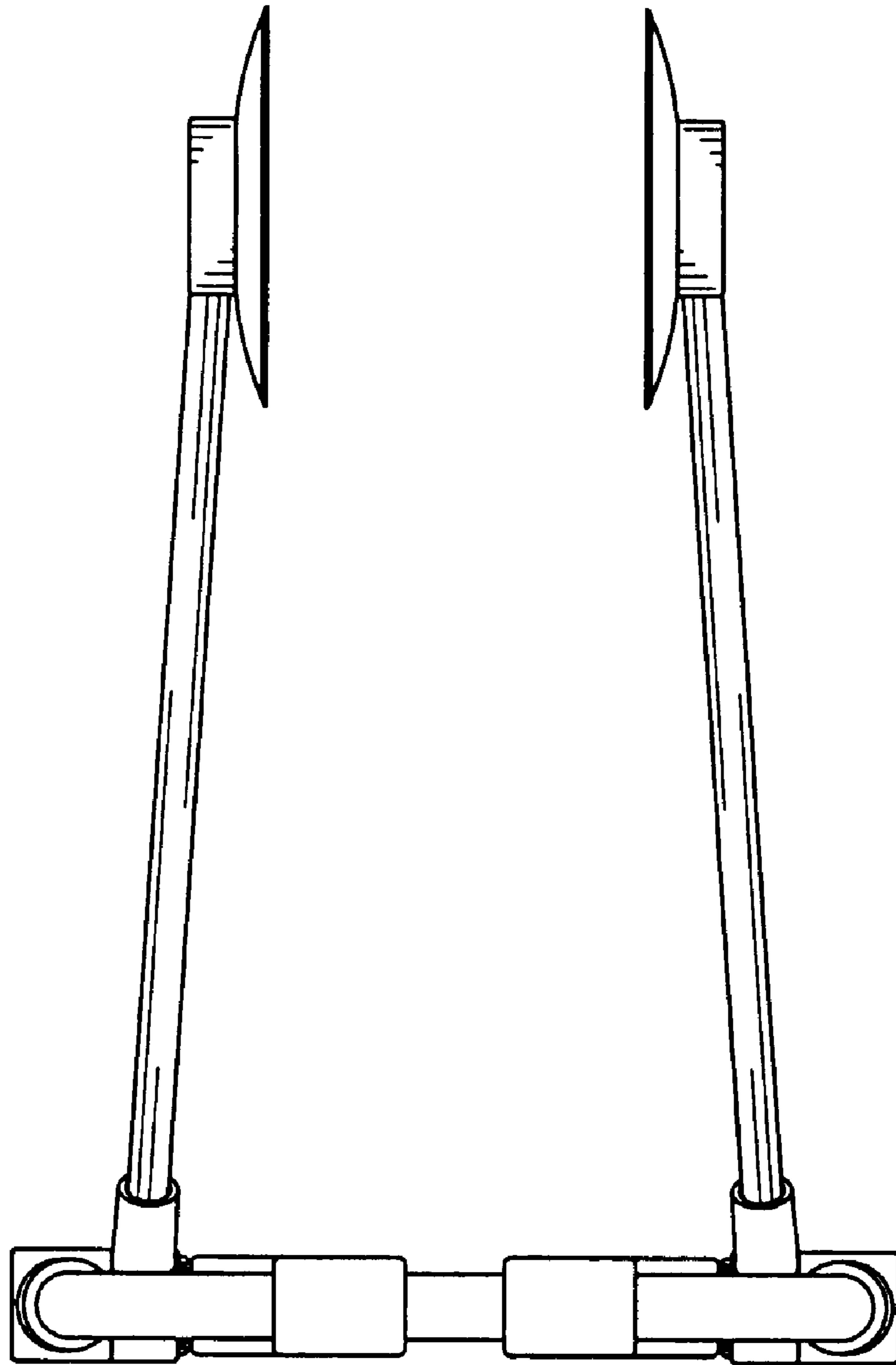


FIG. 3

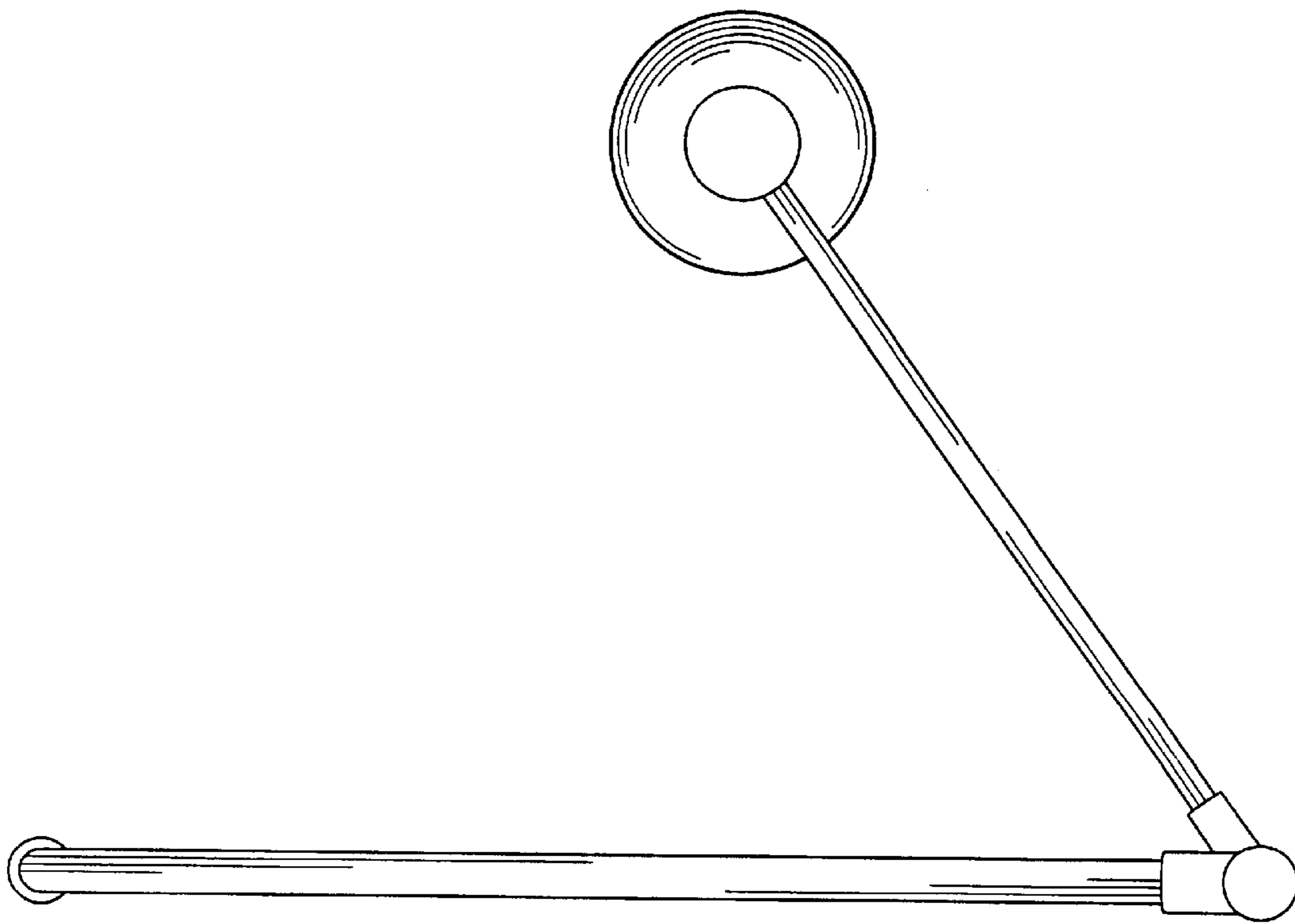


FIG. 4

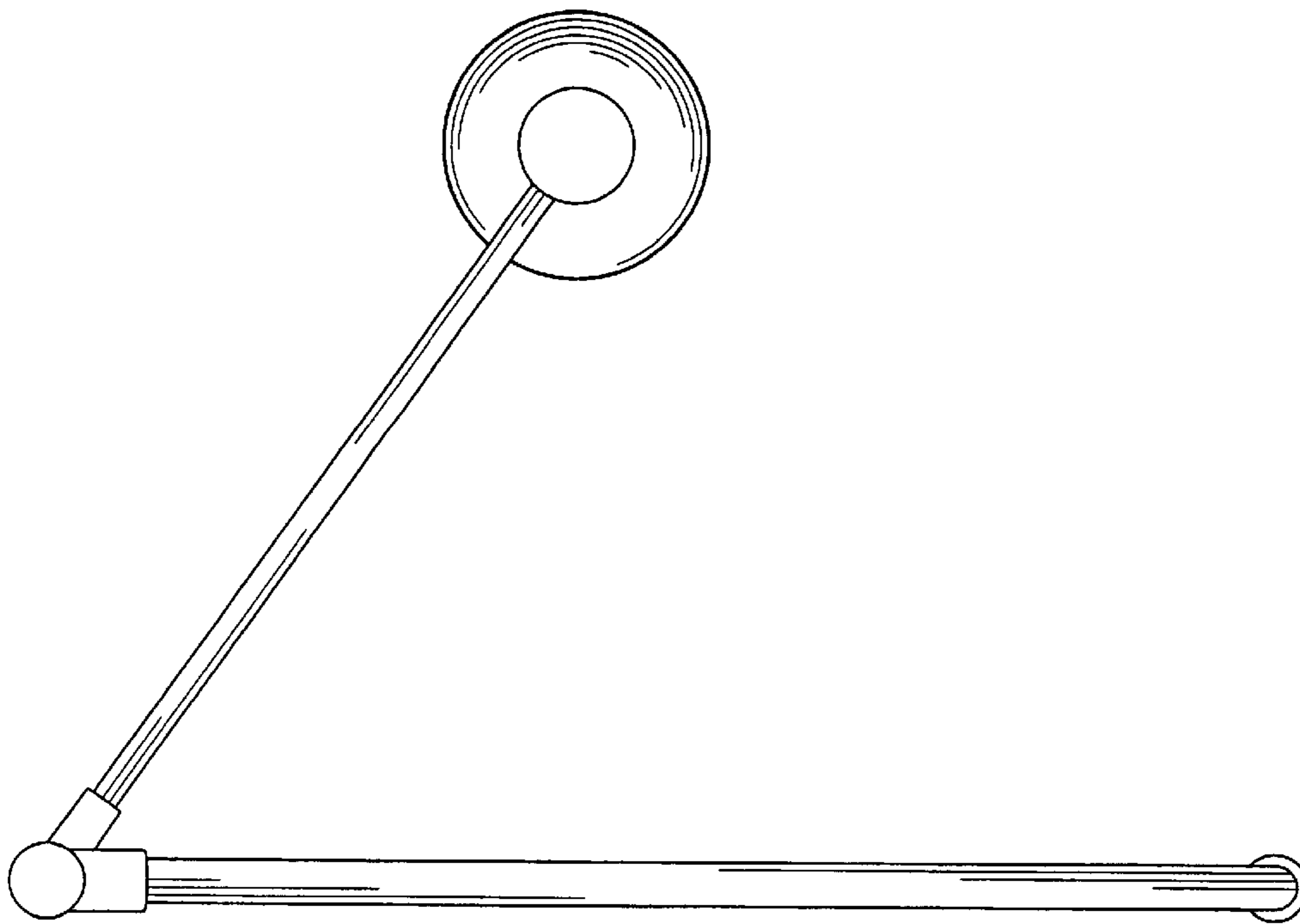


FIG. 5

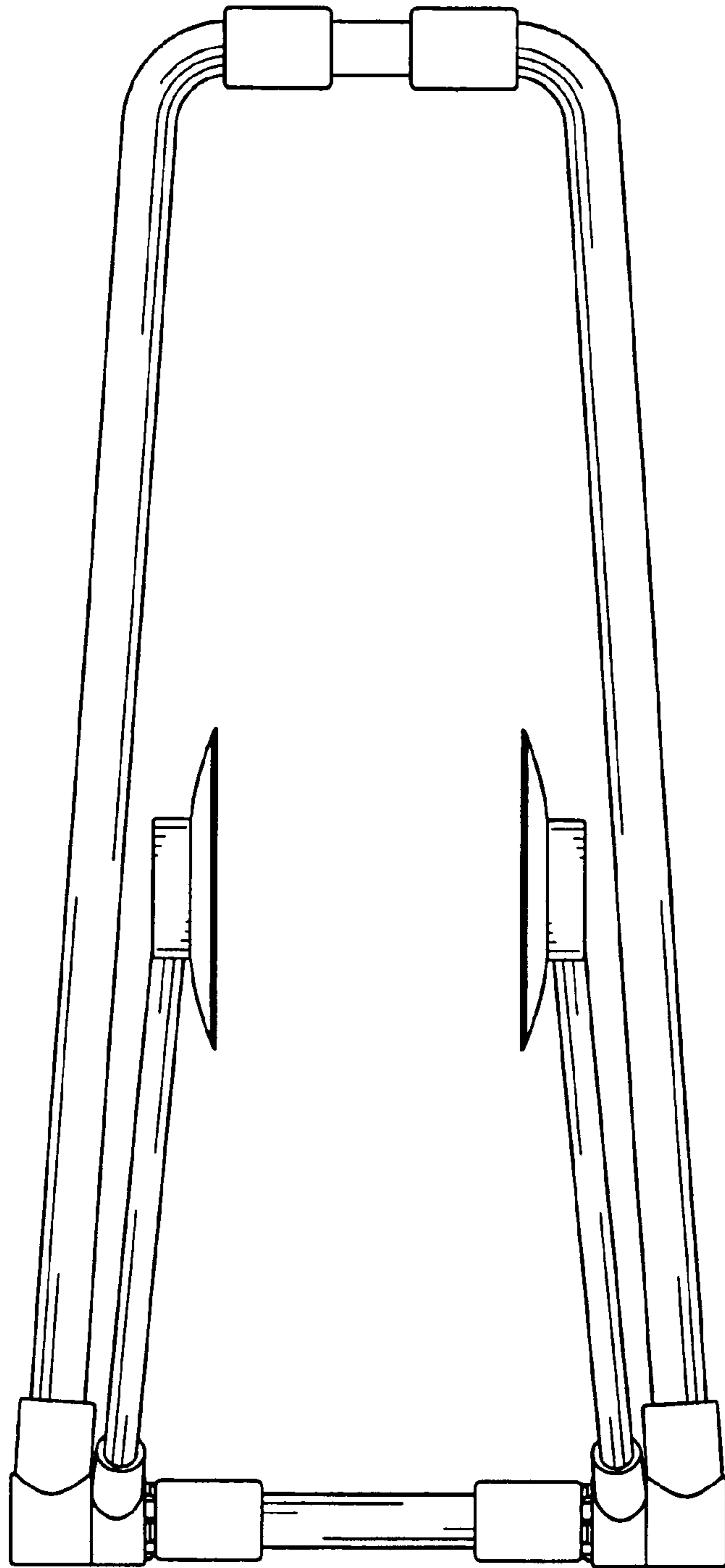


FIG. 6

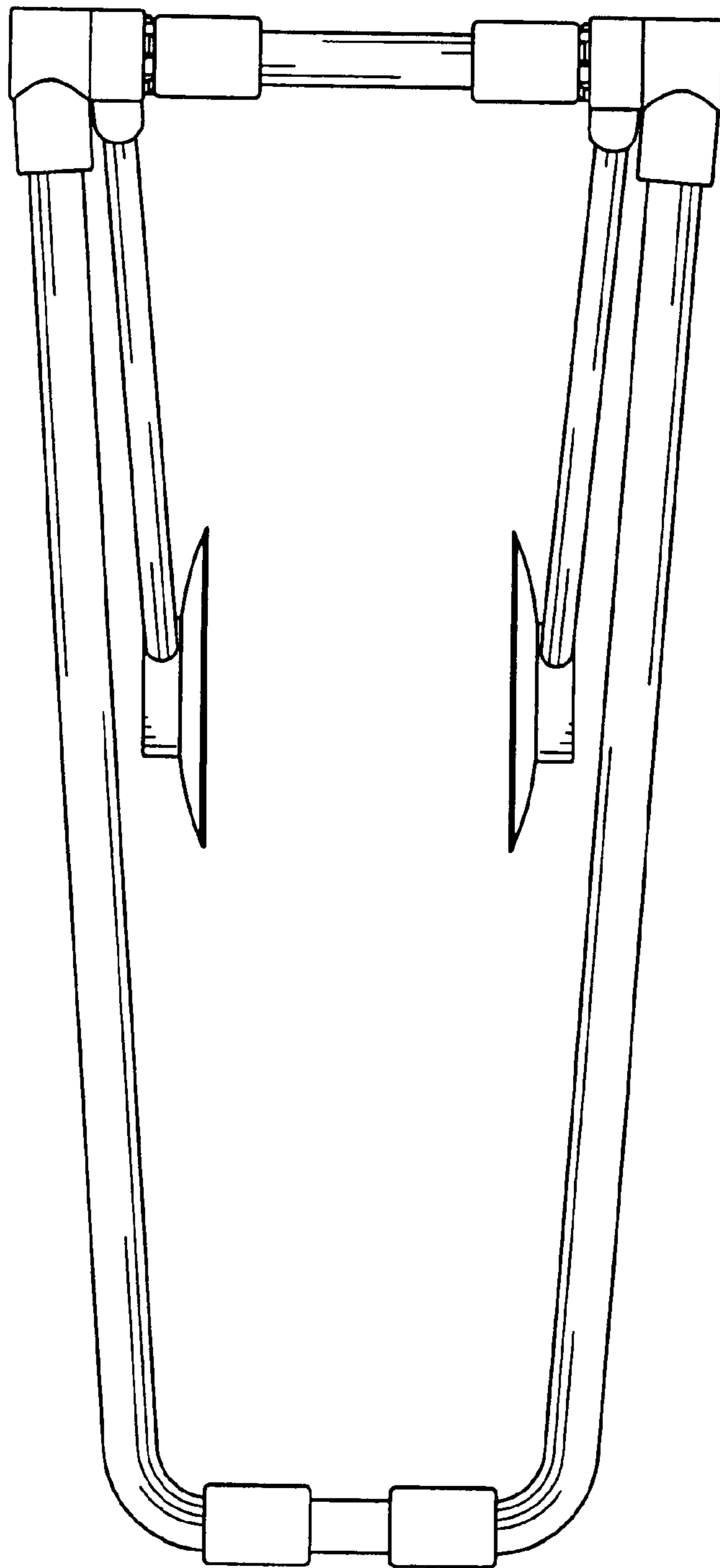


FIG. 7

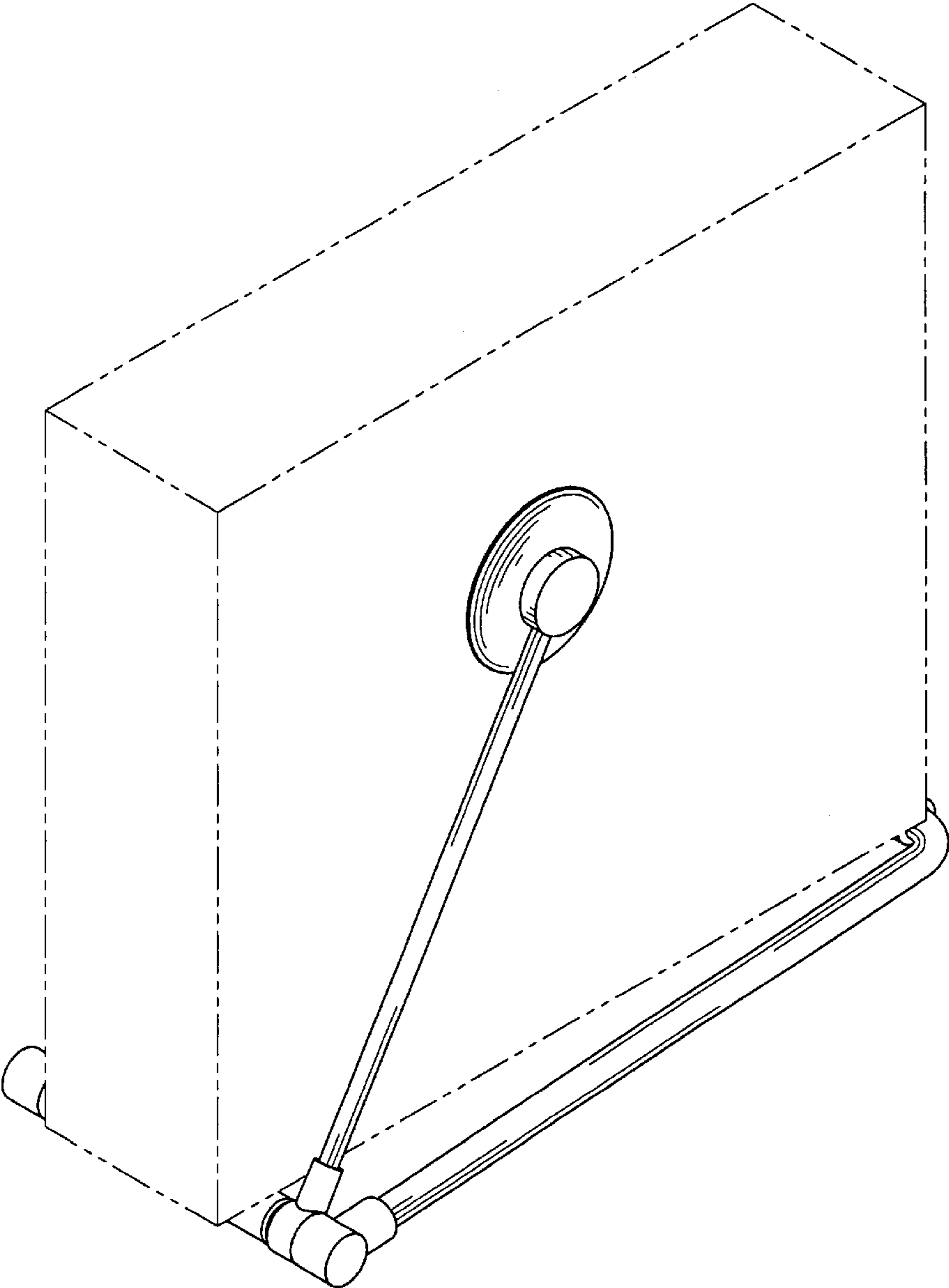


FIG. 8