



US00D539799S

(12) **United States Design Patent**  
**Liang**

(10) **Patent No.:** **US D539,799 S**

(45) **Date of Patent:** **\*\* \*Apr. 3, 2007**

(54) **MULTI-MEDIA CARD READER**

(76) Inventor: **Hsien-Rong Liang**, 2F, No. 7, Lane  
116, Sec. 2, Jianguo N. Rd., Taipei City  
104 (TW)

(\*) Notice: This patent is subject to a terminal dis-  
claimer.

(\*\*) Term: **14 Years**

(21) Appl. No.: **29/235,218**

(22) Filed: **Jul. 29, 2005**

(51) **LOC (8) Cl.** ..... **14-02**

(52) **U.S. Cl.** ..... **D14/385**

(58) **Field of Classification Search** ..... D14/383-385,  
D14/420; 382/124-126, 118; 355/64, 65,  
355/75, 81; 235/380, 382, 382.5, 486; 283/68-70,  
283/74, 75, 78

See application file for complete search history.

(56) **References Cited**

**U.S. PATENT DOCUMENTS**

3,571,957 A \* 3/1971 Cumming et al. .... 283/70

3,805,238 A \* 4/1974 Rothfjell ..... 382/118  
D368,255 S \* 3/1996 Sasaki et al. .... D14/420  
D477,321 S \* 7/2003 Baughman ..... D14/385  
D480,725 S \* 10/2003 Funato ..... D14/383

\* cited by examiner

*Primary Examiner*—Freda S. Nunn  
(74) *Attorney, Agent, or Firm*—Troxell Law Office, PLLC

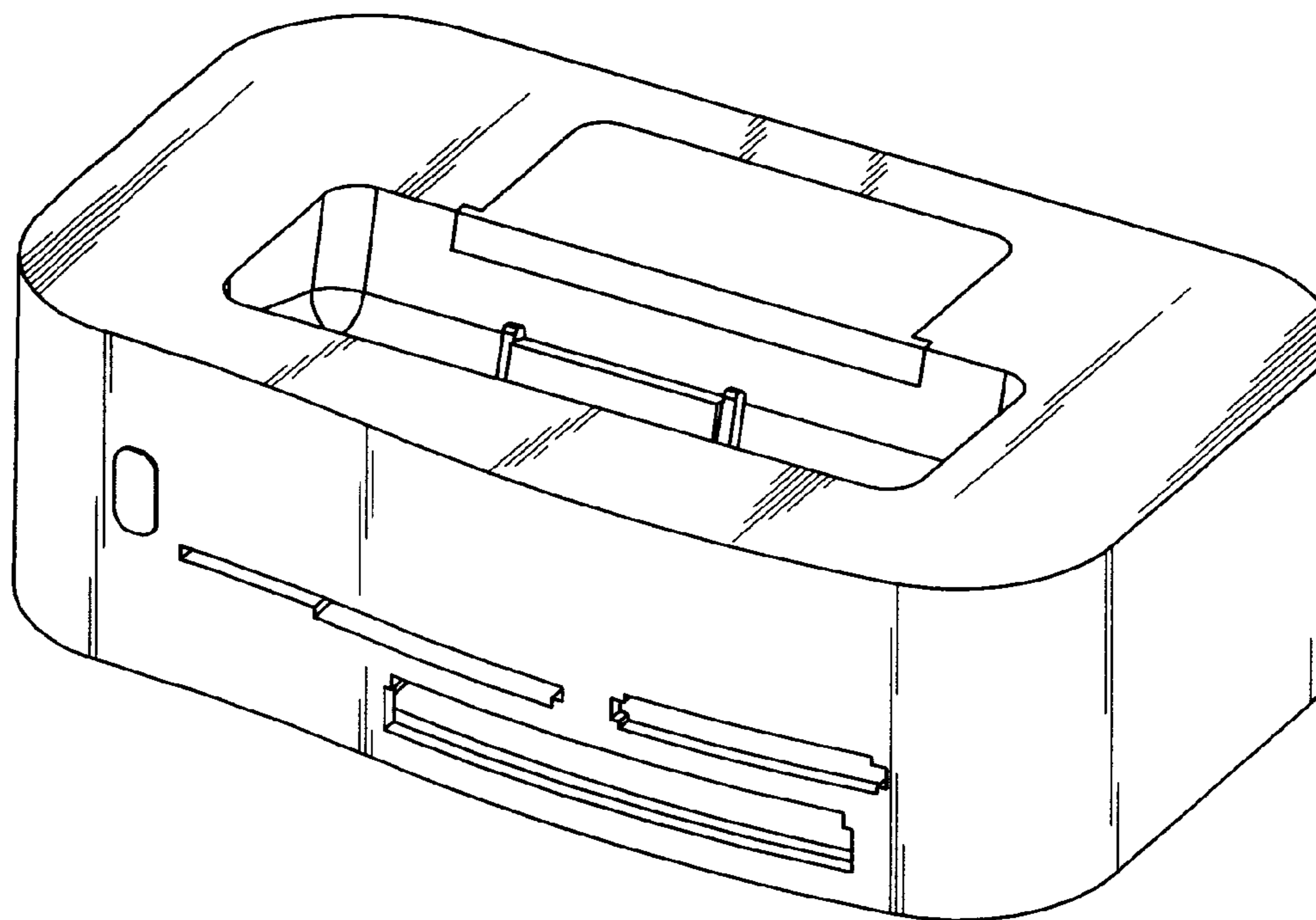
(57) **CLAIM**

The ornamental design for a multi-media card reader, as  
shown and described.

**DESCRIPTION**

FIG. 1 is a perspective view of a multi-media card reader;  
FIG. 2 is a front view thereof;  
FIG. 3 is a back view thereof;  
FIG. 4 is a left side view thereof;  
FIG. 5 is a right side view thereof;  
FIG. 6 is a top view thereof; and,  
FIG. 7 is a bottom view thereof.

**1 Claim, 7 Drawing Sheets**



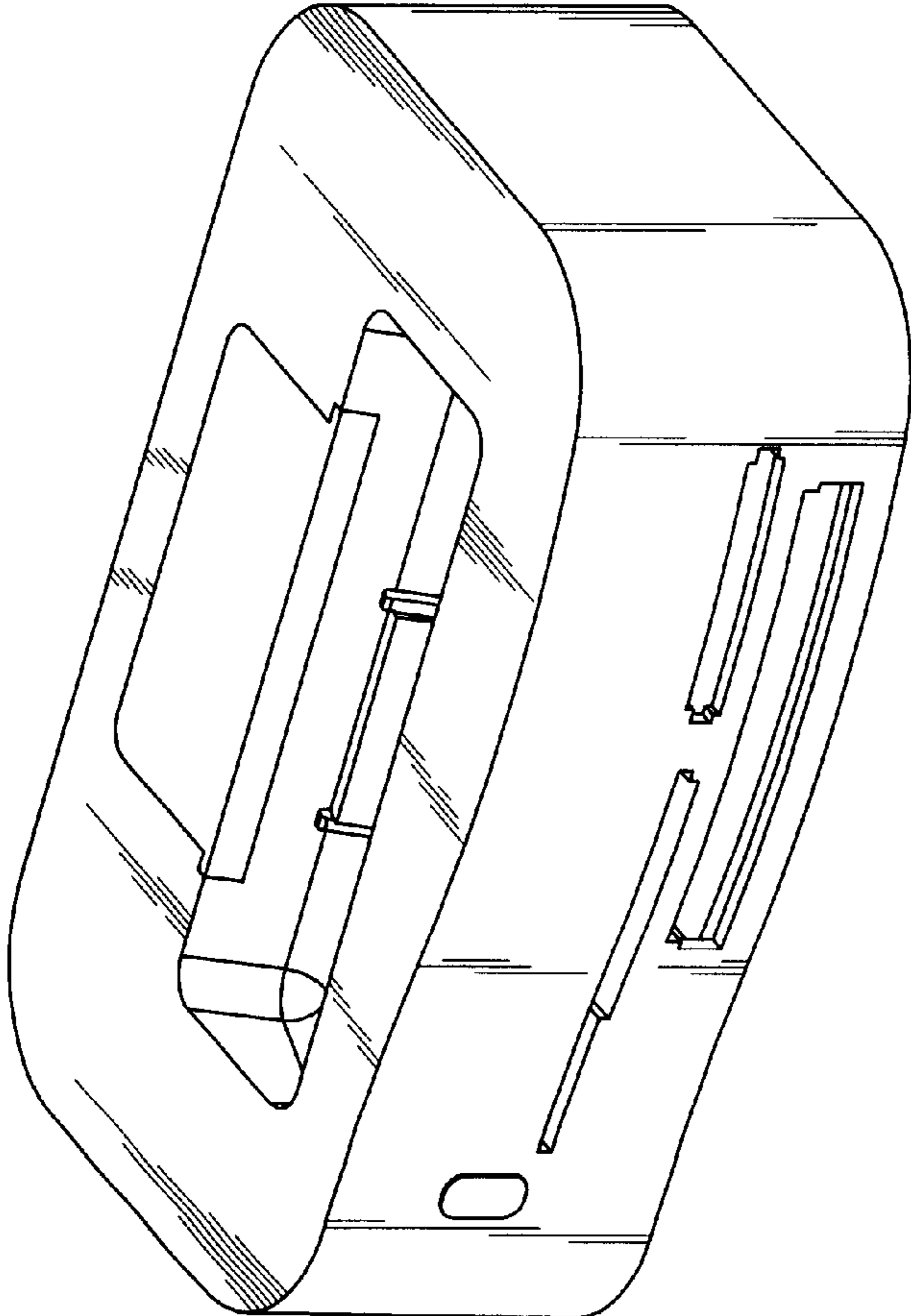


FIG. 1

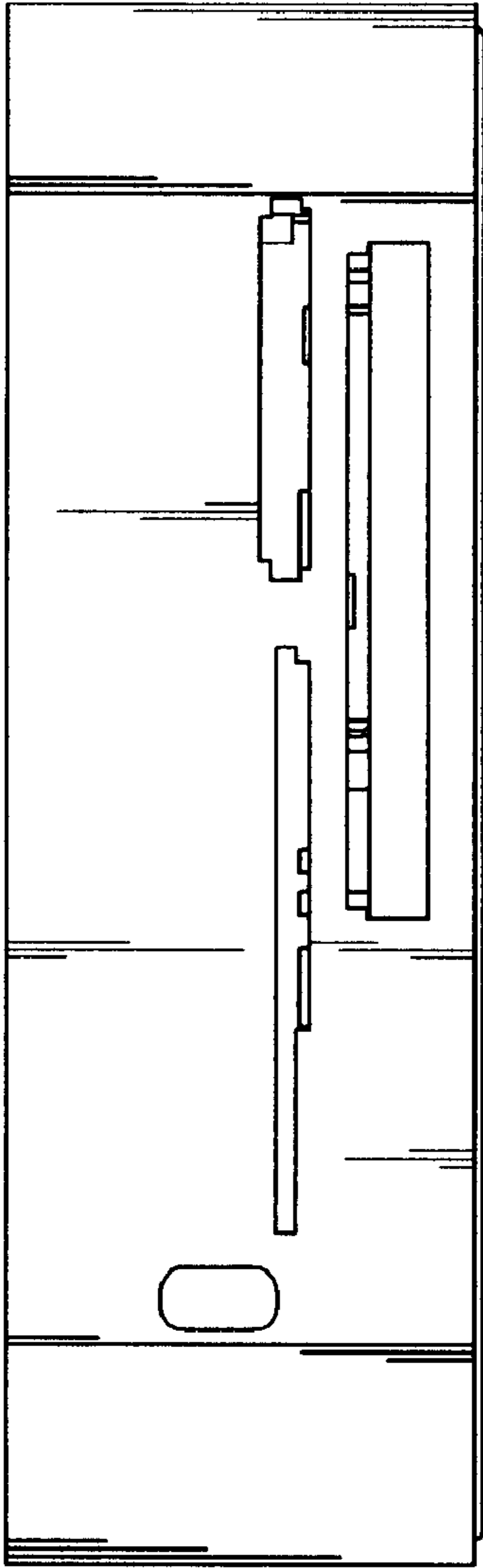


FIG. 2

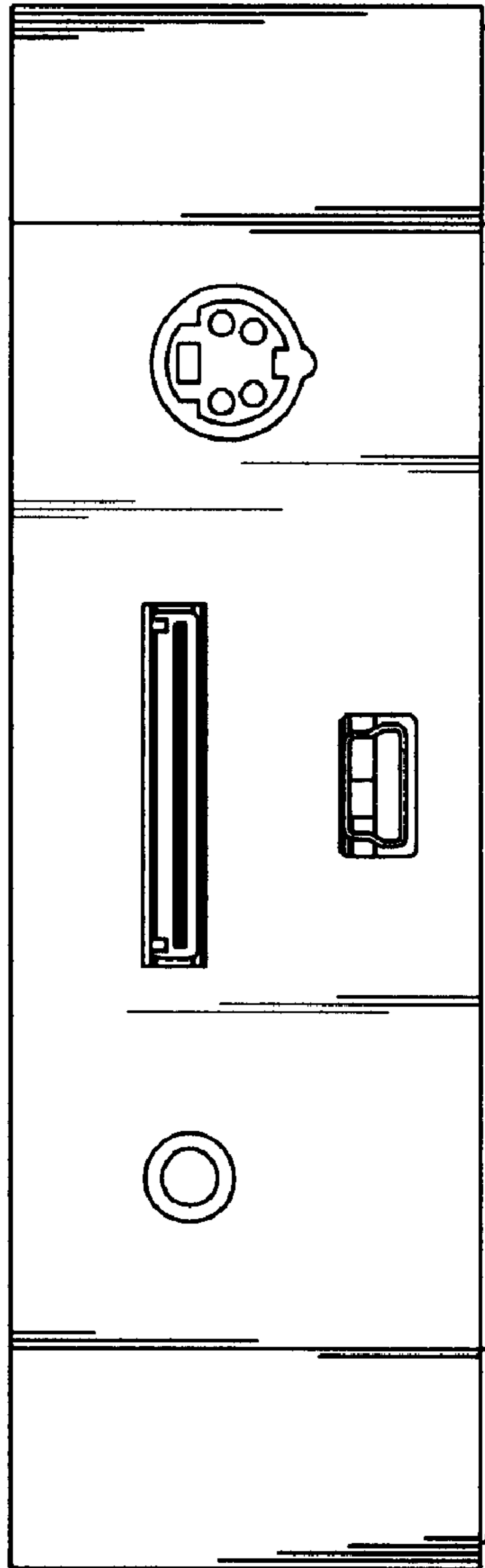


FIG. 3

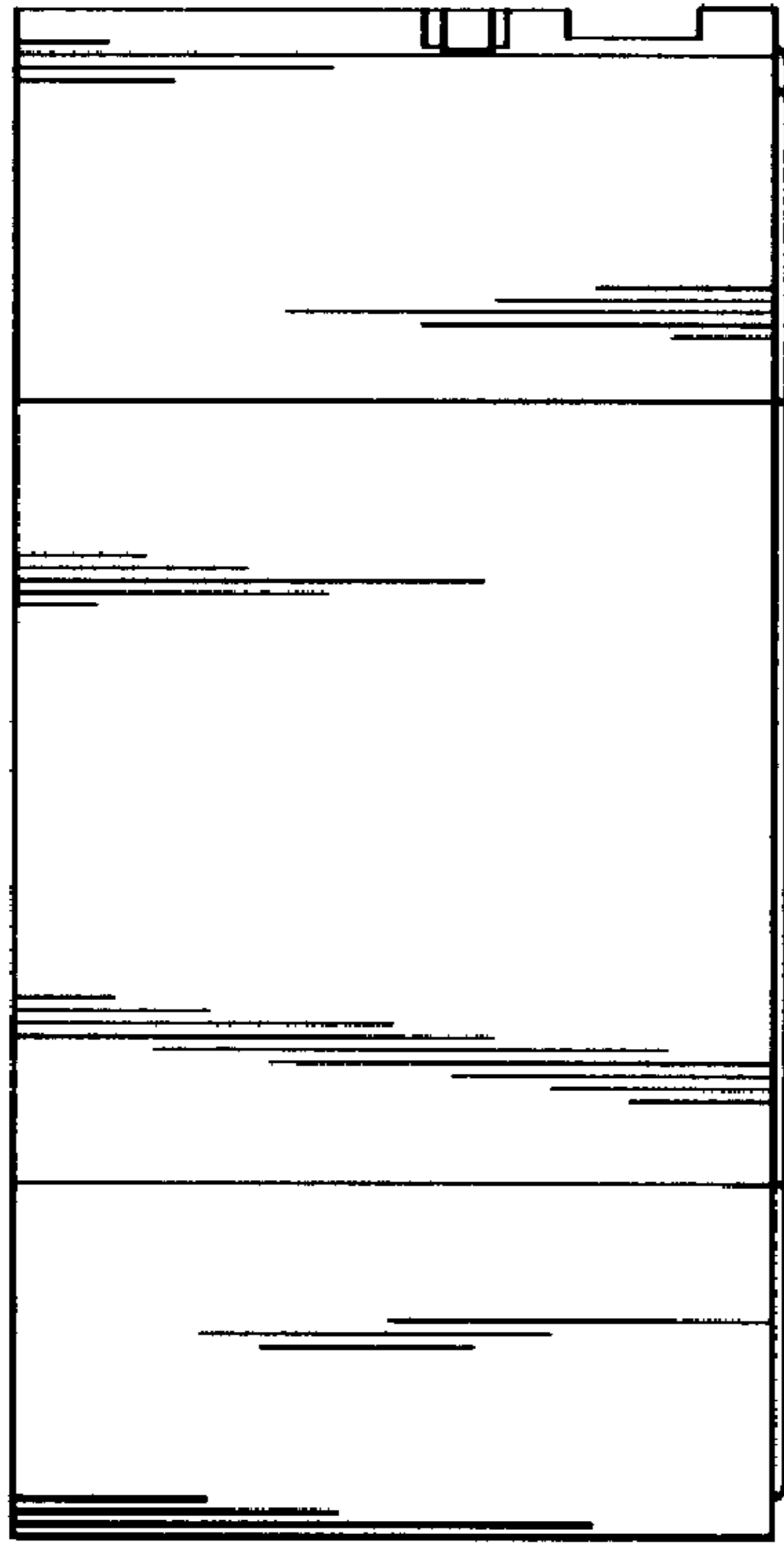


FIG. 4

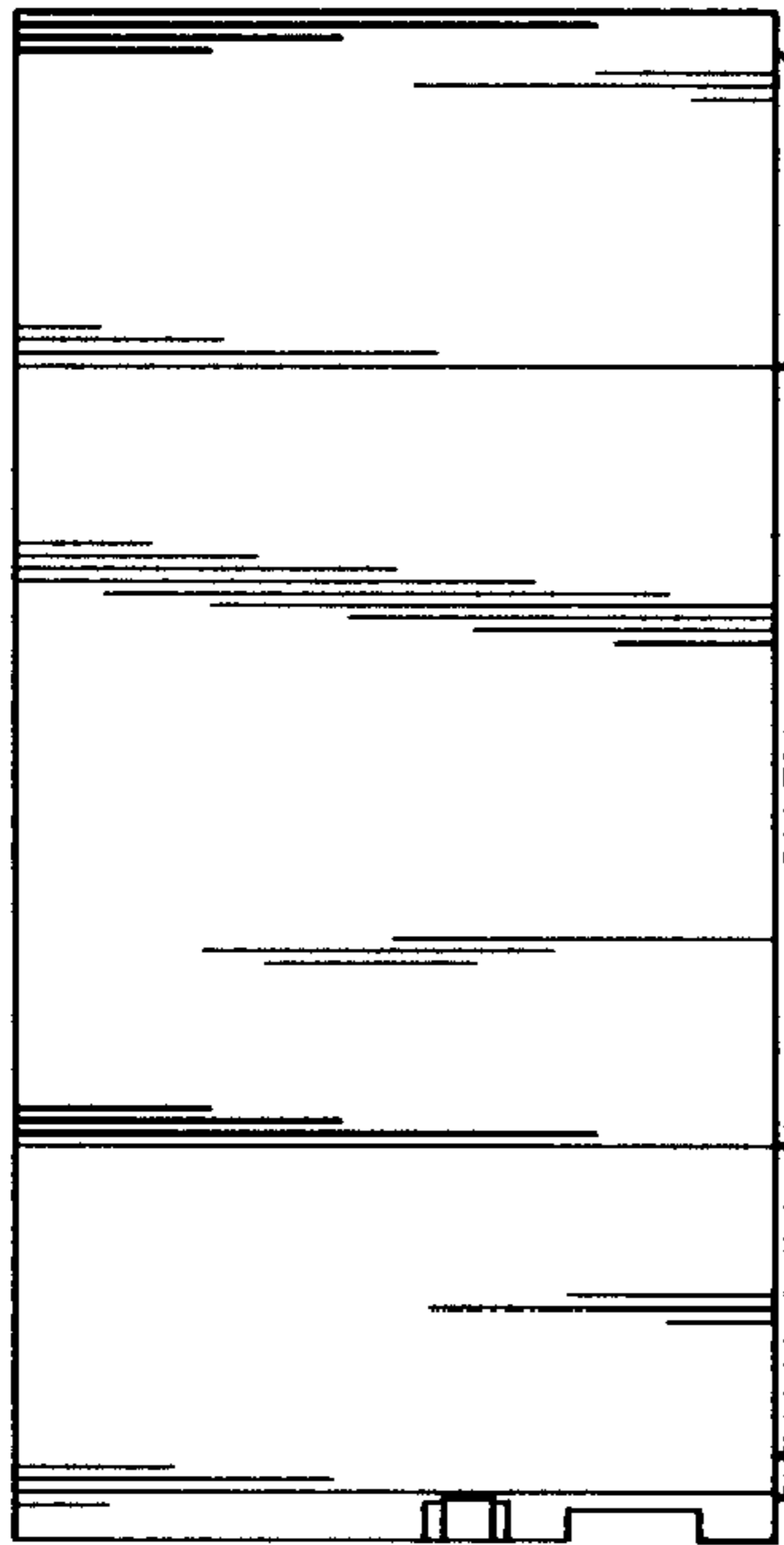


FIG. 5

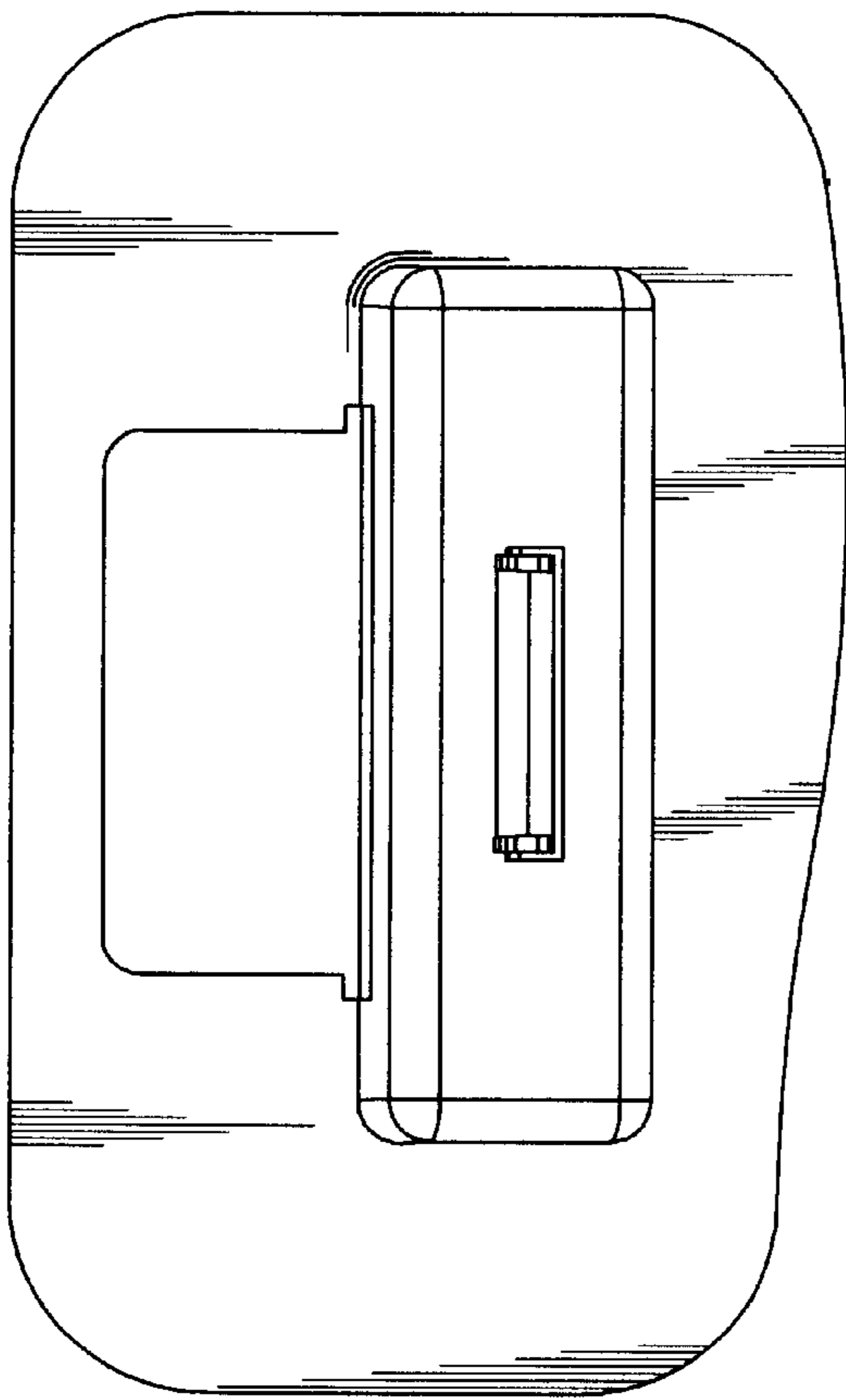


FIG. 6

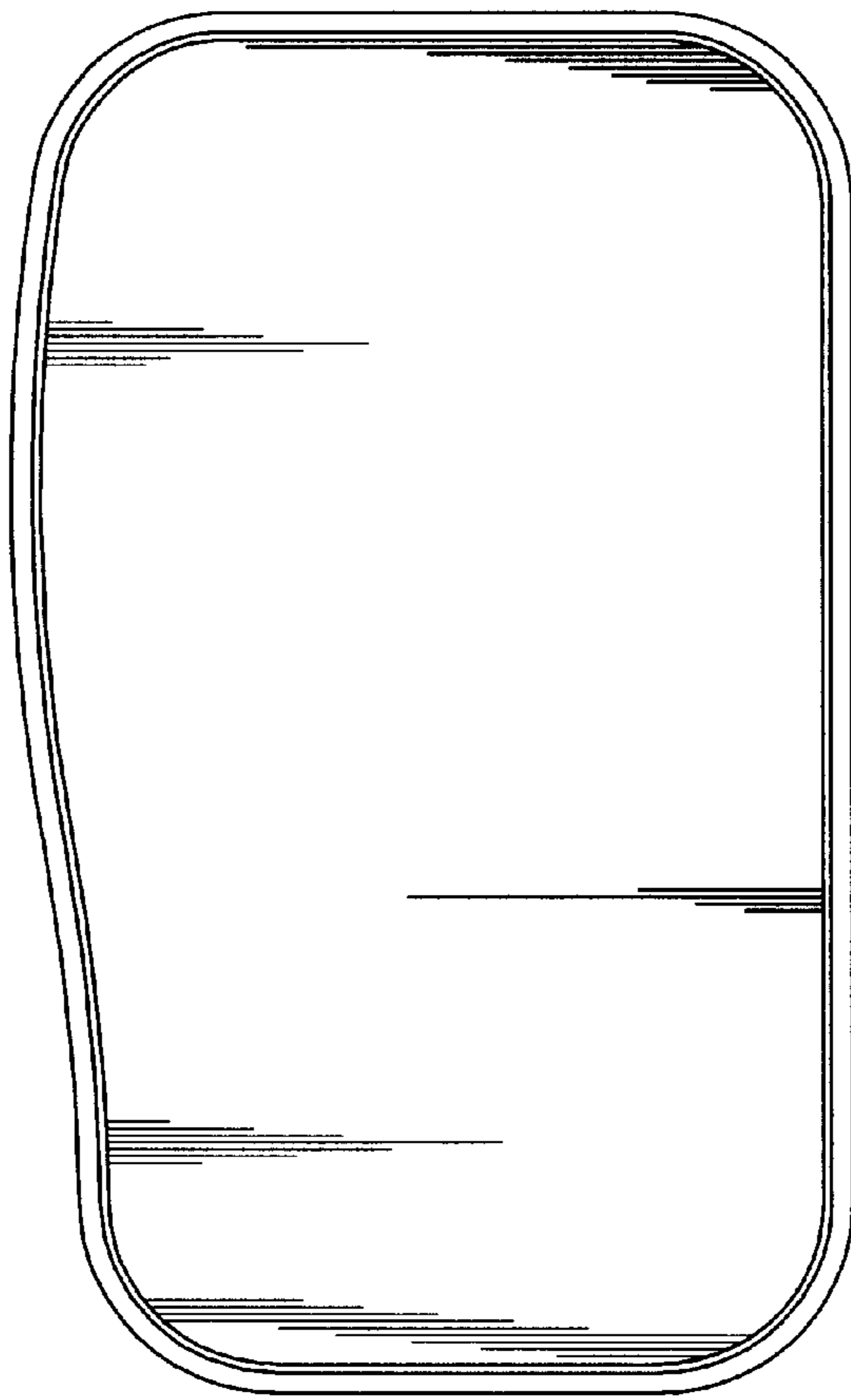


FIG. 7