



US00D539798S

(12) **United States Design Patent**
Sato

(10) **Patent No.:** **US D539,798 S**

(45) **Date of Patent:** **** Apr. 3, 2007**

(54) **TRANSCEIVER**

(75) **Inventor:** **Nobuo Sato**, Aichi (JP)

(73) **Assignee:** **Buffalo, Inc.** (JP)

(**) **Term:** **14 Years**

(21) **Appl. No.:** **29/252,875**

(22) **Filed:** **Jan. 27, 2006**

(30) **Foreign Application Priority Data**

Jul. 29, 2005 (JP) 2005-022217

(51) **LOC (8) Cl.** **14-03**

(52) **U.S. Cl.** **D14/358**; D14/240

(58) **Field of Classification Search** 379/387.01,
379/399.01, 413.02, 413.04, 430, 431, 433.01,
379/420.03, 957, 52, 106.1, 333-337; D13/123,
D13/184; D14/356, 358, 240, 242, 246, 192,
D14/223, 140.1, 140.4; 181/129-130; 455/569.1,
455/510, 524; 439/717

See application file for complete search history.

(56) **References Cited**

U.S. PATENT DOCUMENTS

D424,065 S * 5/2000 Soo D14/240
D453,331 S * 2/2002 Probasco et al. D14/240
D470,839 S * 2/2003 Tuhkanen D14/240

D478,069 S * 8/2003 Beck et al. D14/240
D478,580 S * 8/2003 Schmidt et al. D14/240
D484,120 S * 12/2003 Yin et al. D14/240
D489,369 S * 5/2004 Sasaki D14/358
D523,854 S * 6/2006 Rinna et al. D14/358

* cited by examiner

Primary Examiner—Charles A. Rademaker

(74) *Attorney, Agent, or Firm*—Saidman DesignLaw Group

(57) **CLAIM**

The ornamental design for a transceiver, as shown and described.

DESCRIPTION

FIG. 1 is a front, left-side, perspective view of a transceiver showing my new design, an antenna is shown in a down position;

FIG. 2 is a rear, right-side, perspective view thereof;

FIG. 3 is a front view thereof;

FIG. 4 is a rear view thereof;

FIG. 5 is a right-side view thereof;

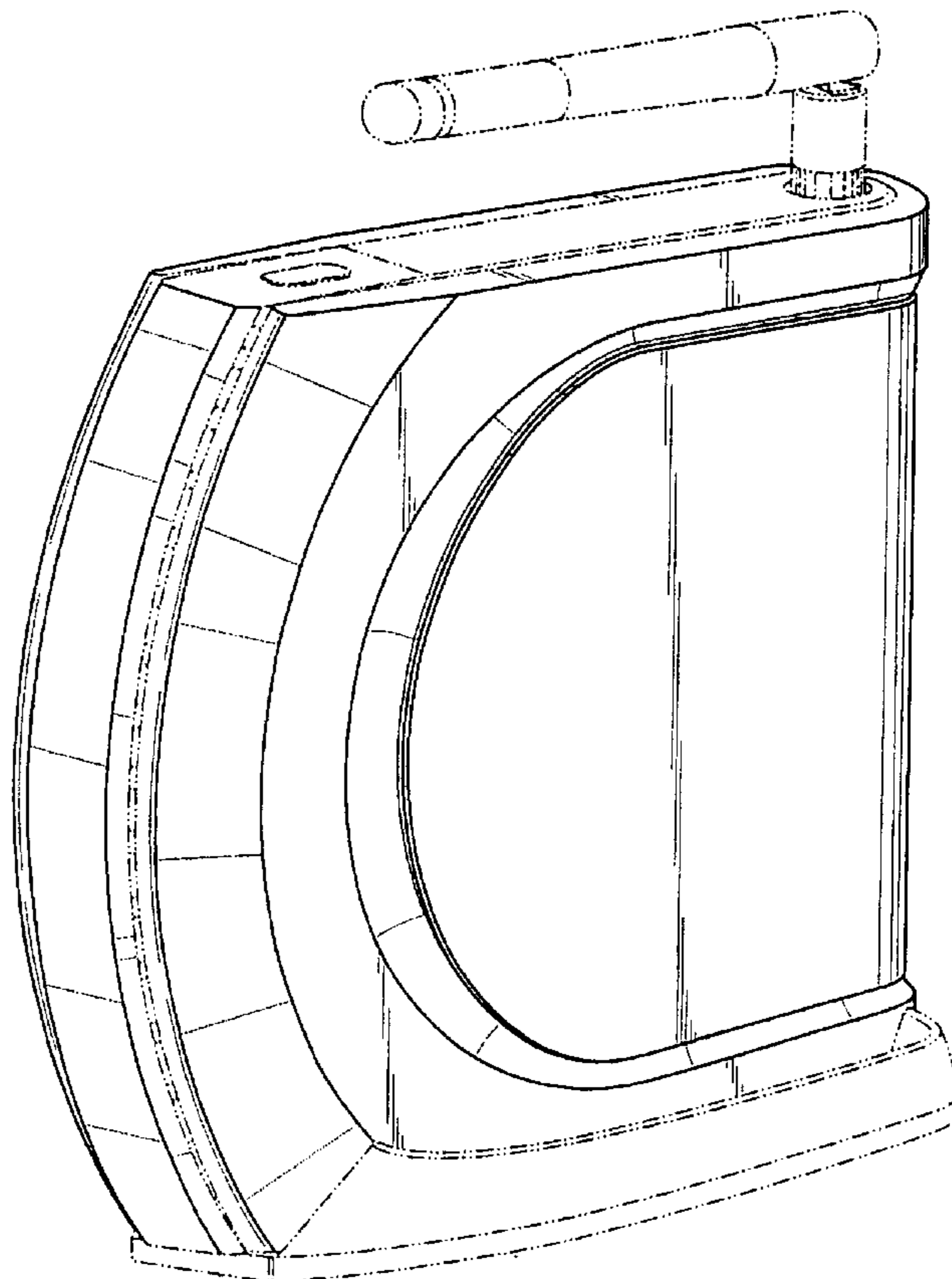
FIG. 6 is a left-side view thereof;

FIG. 7 is a top view thereof; and,

FIG. 8 is a front view thereof, the antenna is shown in an up position.

The broken line showing in the drawings is for illustrative purposes only and forms no part of the claimed design.

1 Claim, 7 Drawing Sheets



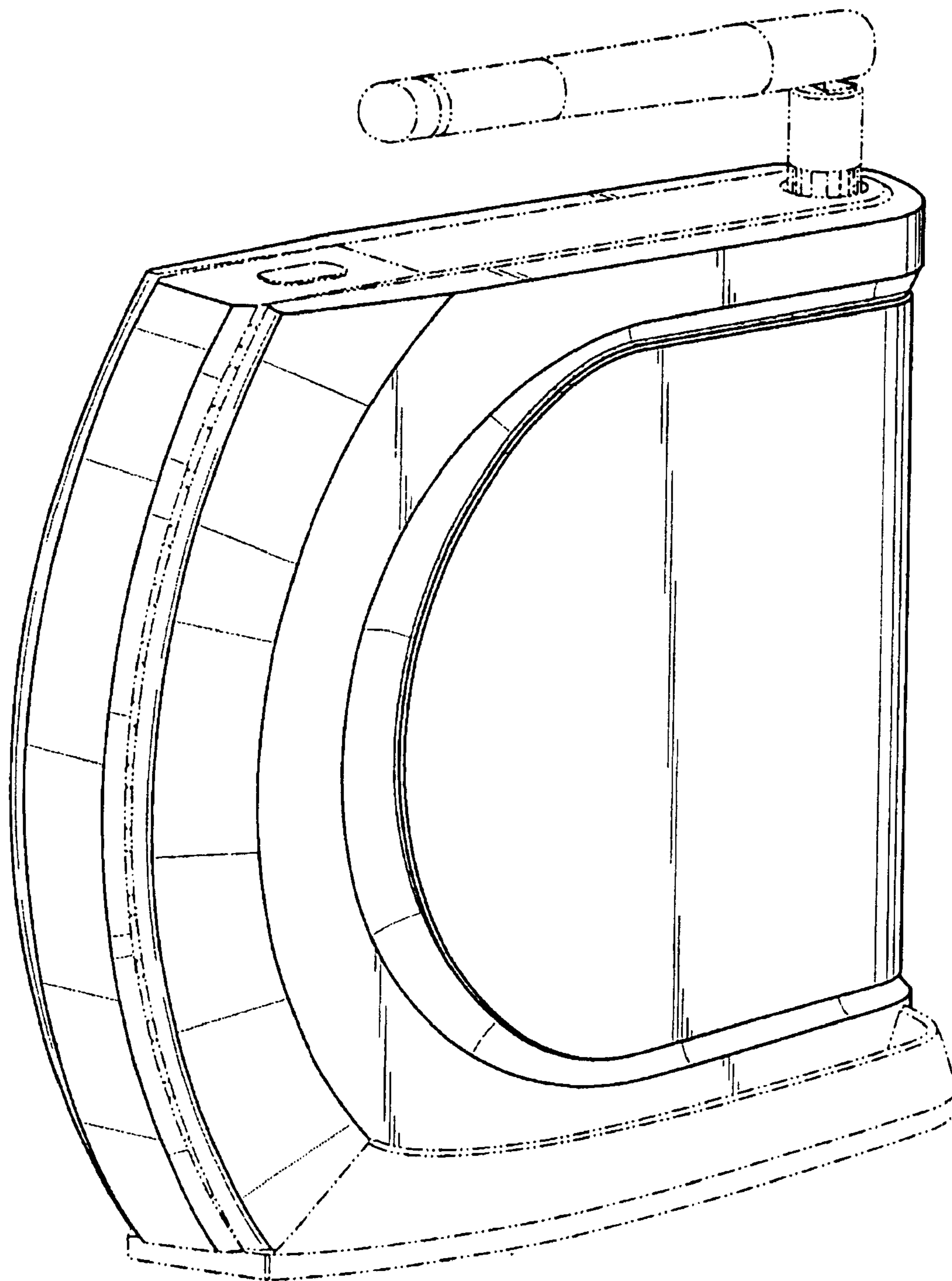


Fig. 1

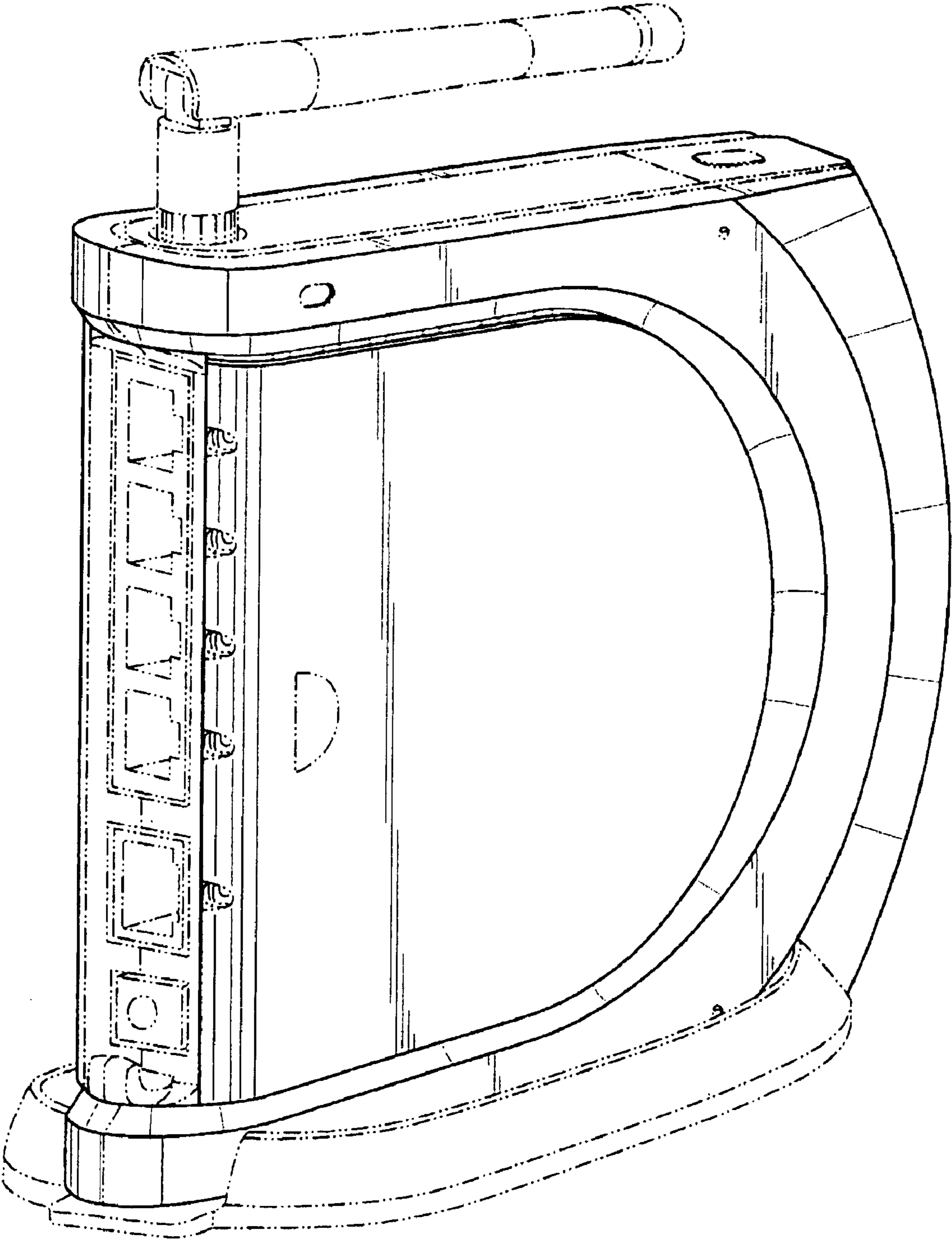


Fig. 2

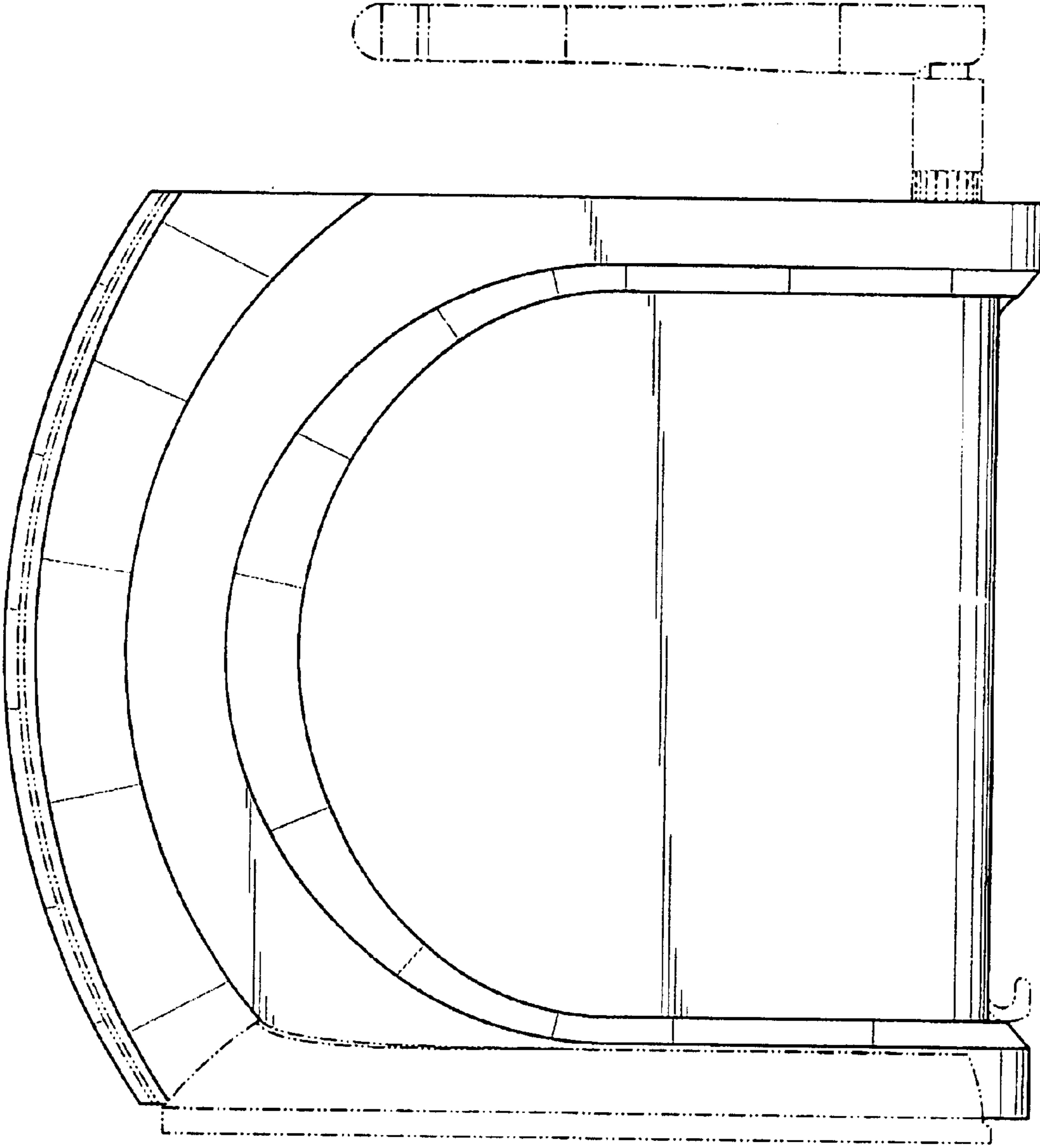


Fig. 3

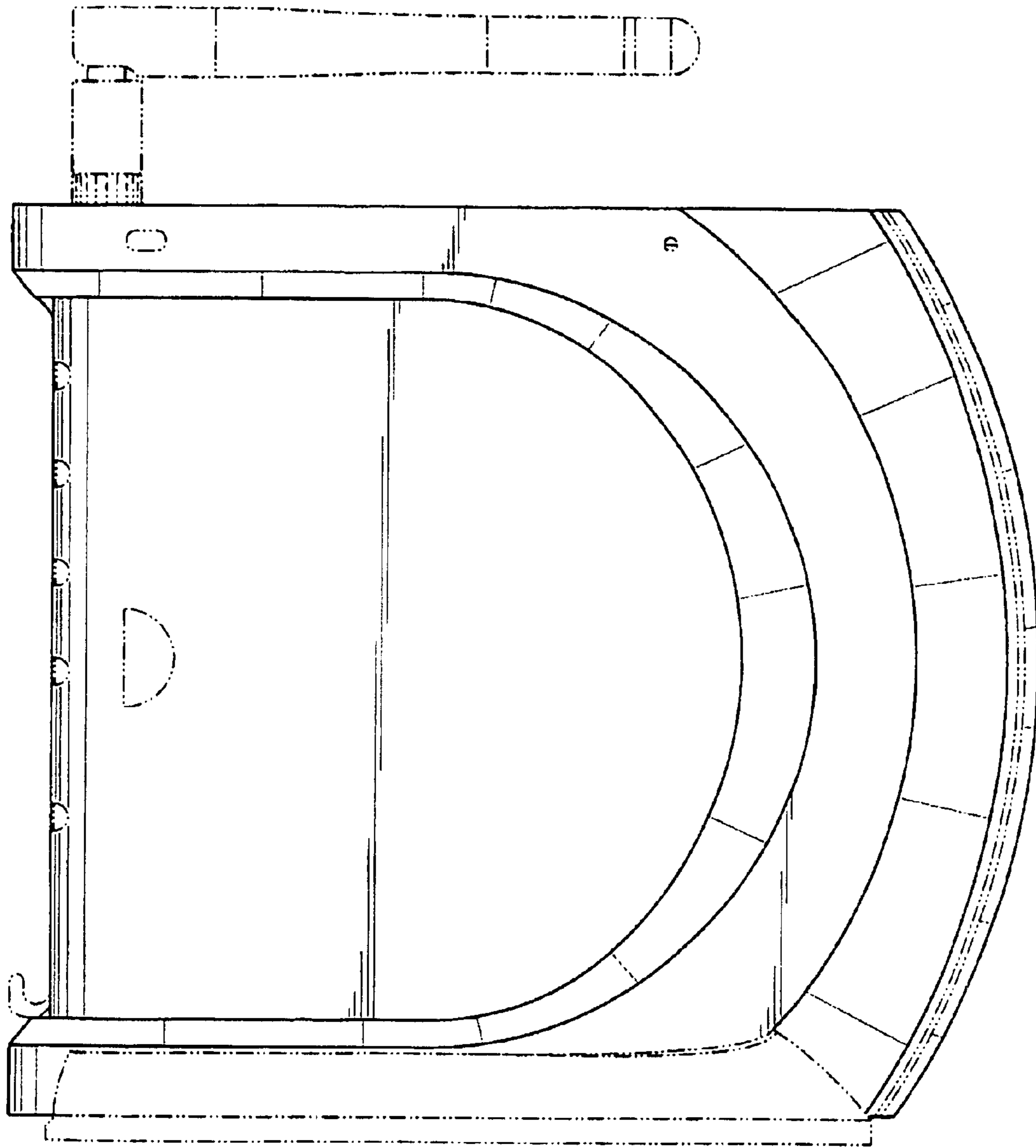


Fig. 4

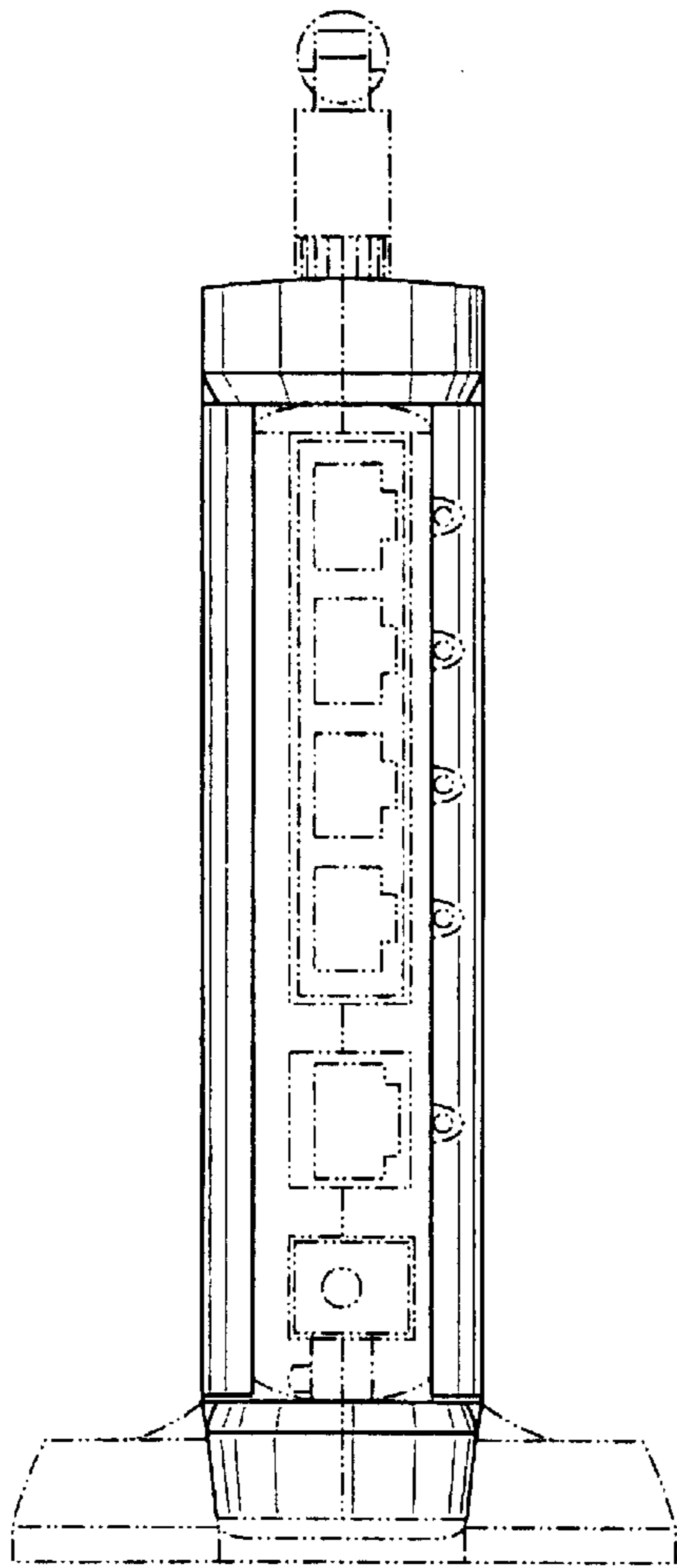


Fig. 5

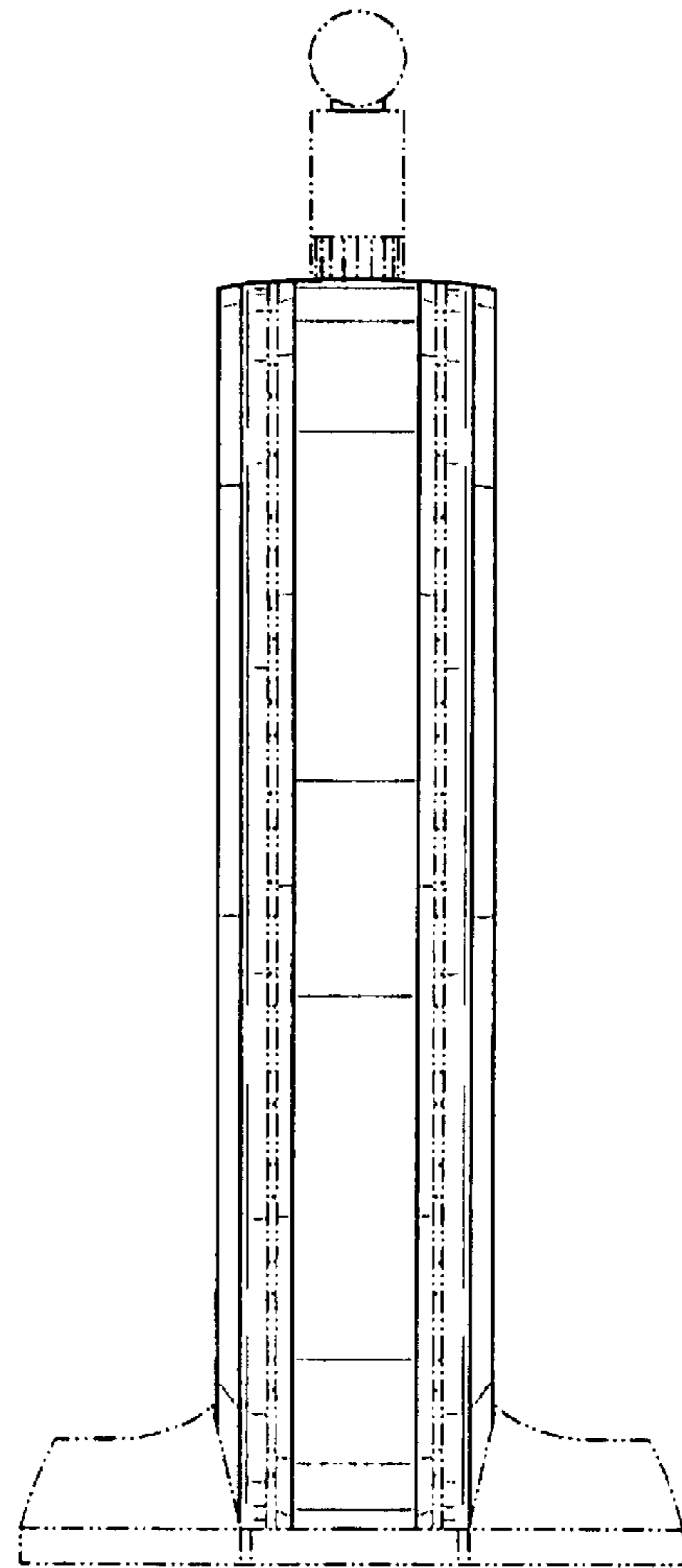


Fig. 6

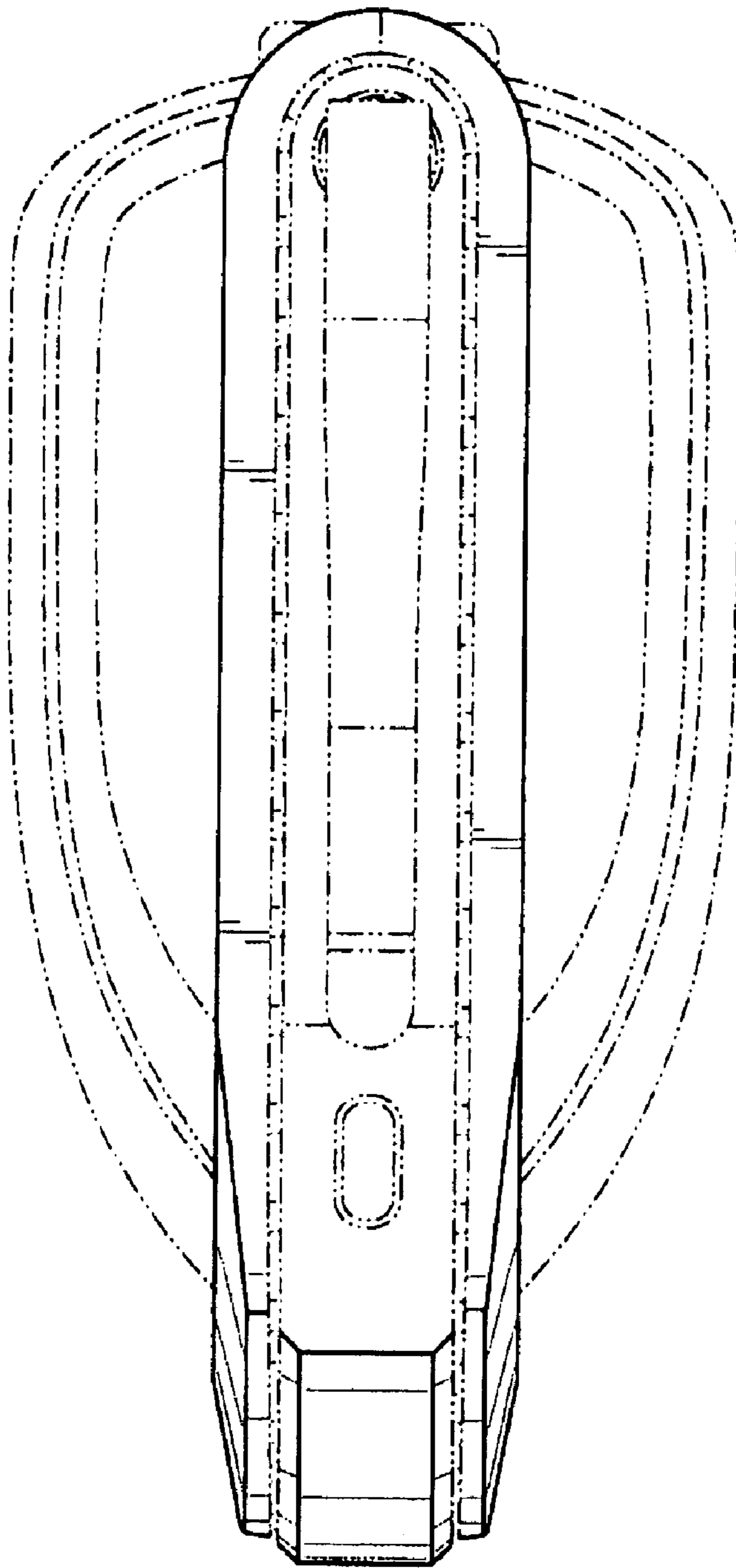


Fig. 7

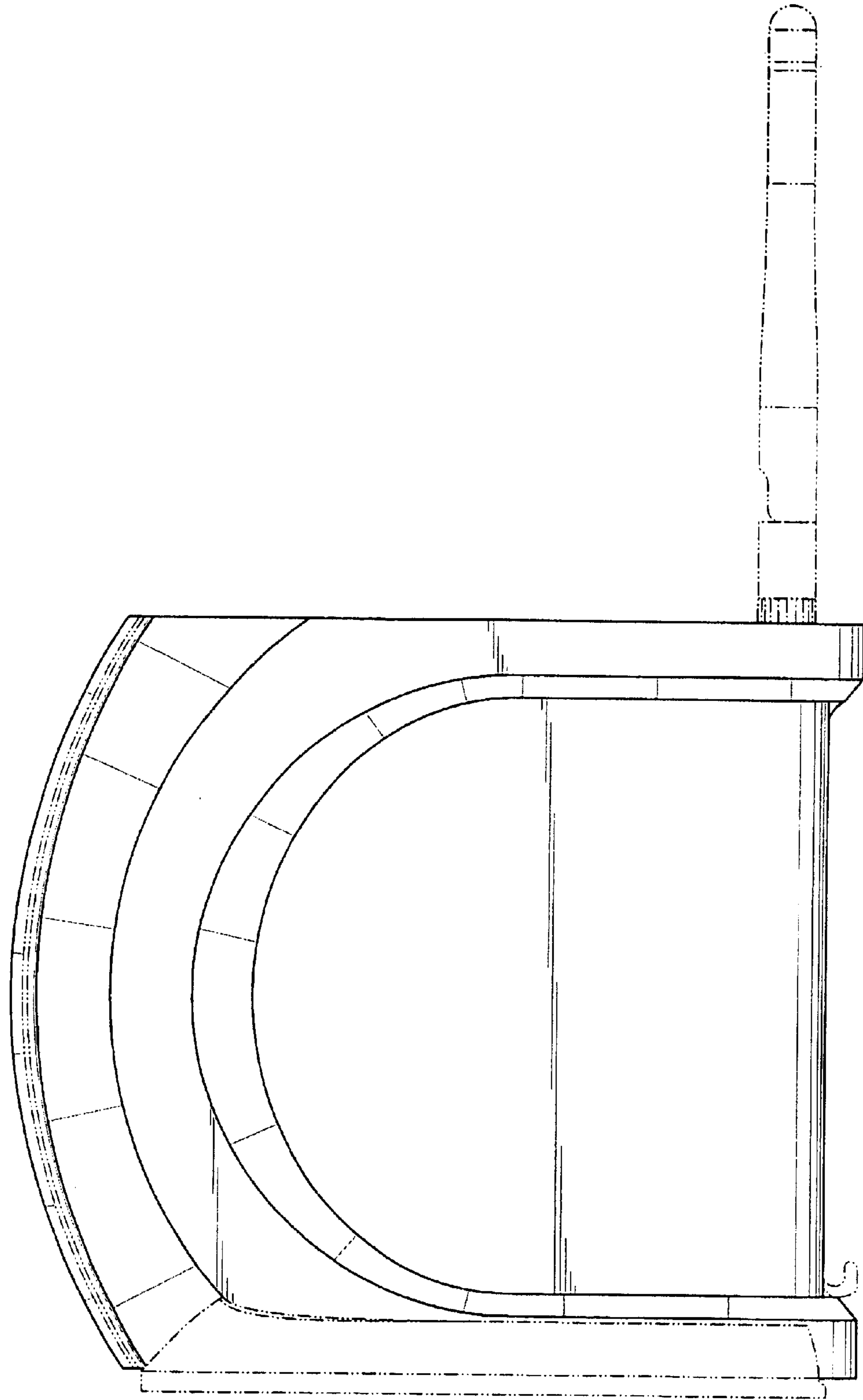


Fig. 8