



US00D539797S

(12) **United States Design Patent**
Chiang et al.

(10) **Patent No.:** **US D539,797 S**

(45) **Date of Patent:** **** Apr. 3, 2007**

(54) **COMPUTER WITH DISPLAY**

(75) Inventors: **Chih-Wen Chiang**, Taipei (TW);
Ya-Hwei Tseng, Taipei (TW);
Shih-Heng Chen, Taipei (TW);
Chin-Min Wei, Taipei (TW);
Wen-Chien Su, Taipei (TW)

(73) Assignee: **Compal Electronics, Inc.**, Taipei (TW)

(**) Term: **14 Years**

(21) Appl. No.: **29/243,662**

(22) Filed: **Nov. 28, 2005**

(51) **LOC (8) Cl.** **14-02**

(52) **U.S. Cl.** **D14/337**

(58) **Field of Classification Search** D14/336,
D14/337, 371-375, 388, 211, 125-129; 345/104,
345/156, 168, 173, 901-905; 348/180, 184,
348/325, 739; 341/12; 248/917-924; 349/1,
349/2, 11, 62

See application file for complete search history.

(56) **References Cited**

U.S. PATENT DOCUMENTS

D354,949 S * 1/1995 Yao D14/337
D355,170 S * 2/1995 Mizusugi et al. D14/336
D387,040 S * 12/1997 Iino D14/375

D403,670 S * 1/1999 Liao D14/375
D440,565 S * 4/2001 Ono et al. D14/375
D467,897 S * 12/2002 Lin D14/211
D494,176 S * 8/2004 Porter et al. D14/388
D496,035 S * 9/2004 Chen et al. D14/337

* cited by examiner

Primary Examiner—Freda S. Nunn

(74) *Attorney, Agent, or Firm*—J.C. Patents

(57) **CLAIM**

The ornamental design for a computer with display, as shown and described.

DESCRIPTION

FIG. 1 is a top, front, and right side perspective view of a computer with display showing our new design.

FIG. 2 is a front elevational view thereof.

FIG. 3 is a rear elevational view thereof.

FIG. 4 is a left side elevational view thereof.

FIG. 5 is a right side elevational view thereof.

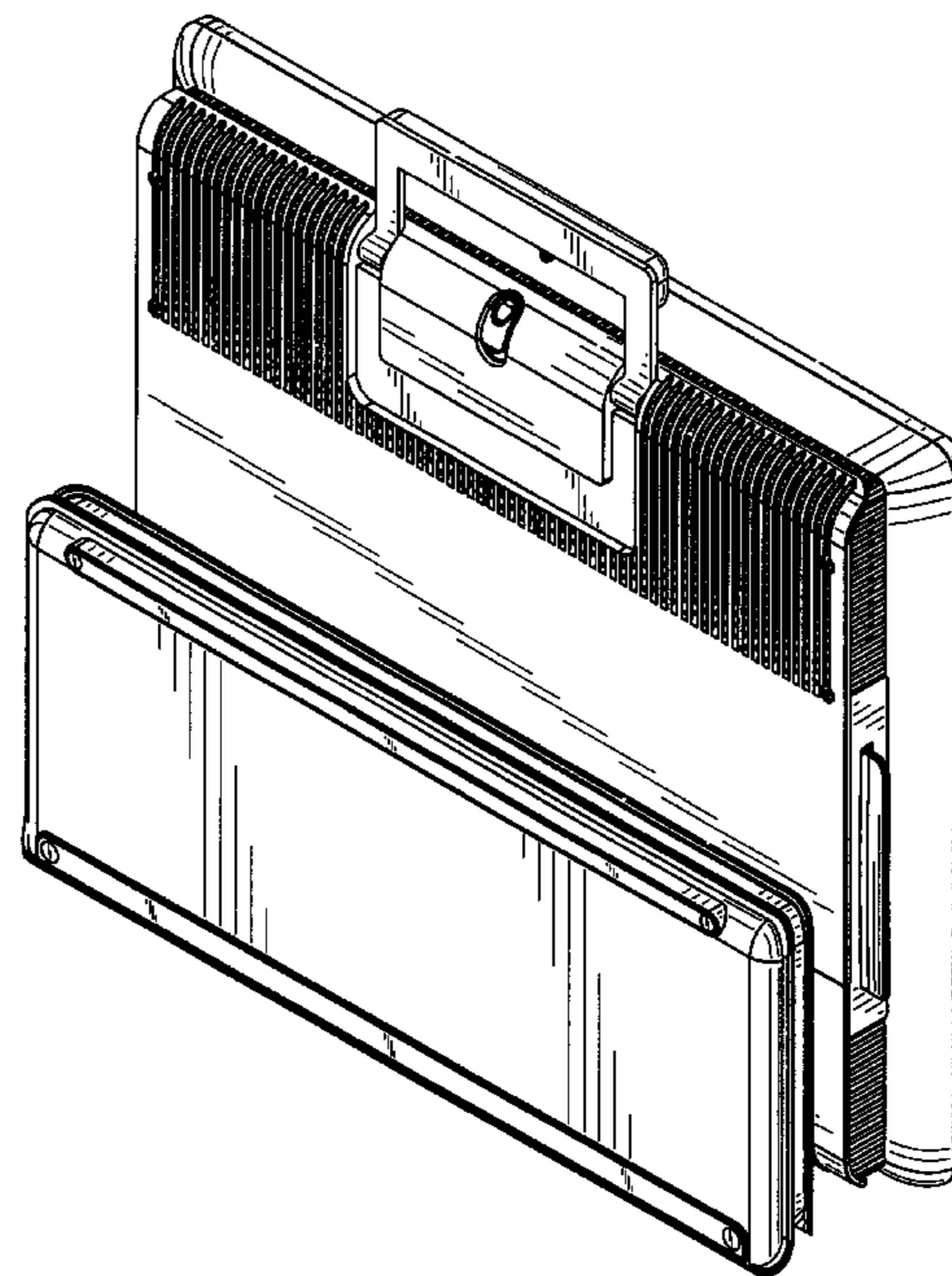
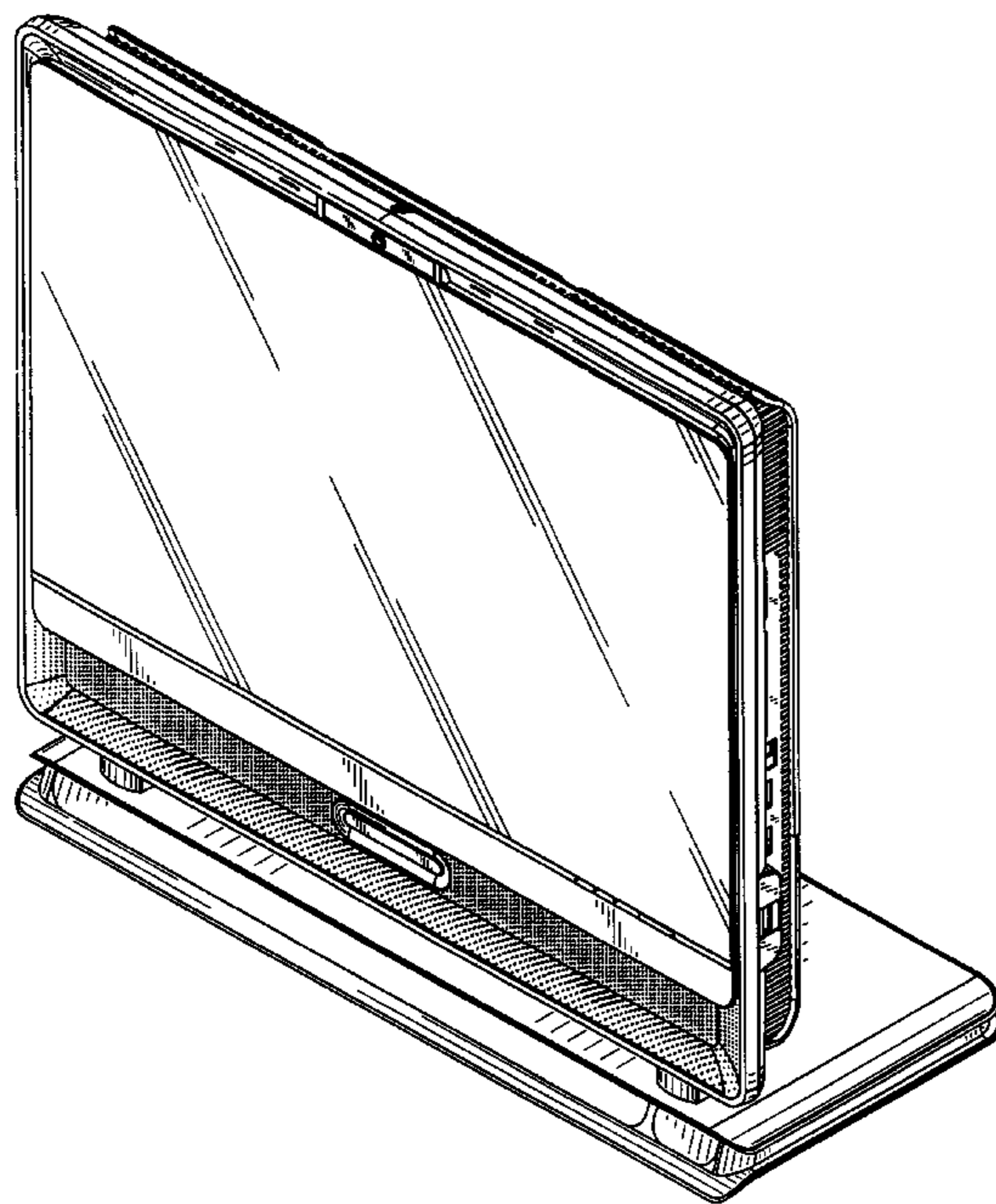
FIG. 6 is a top plan view thereof.

FIG. 7 is a bottom plan view thereof.

FIG. 8 is a top, rear, and left side perspective view thereof; and,

FIG. 9 is a top, rear, and left side perspective view thereof in a folding state with the handle rotated upward.

1 Claim, 7 Drawing Sheets



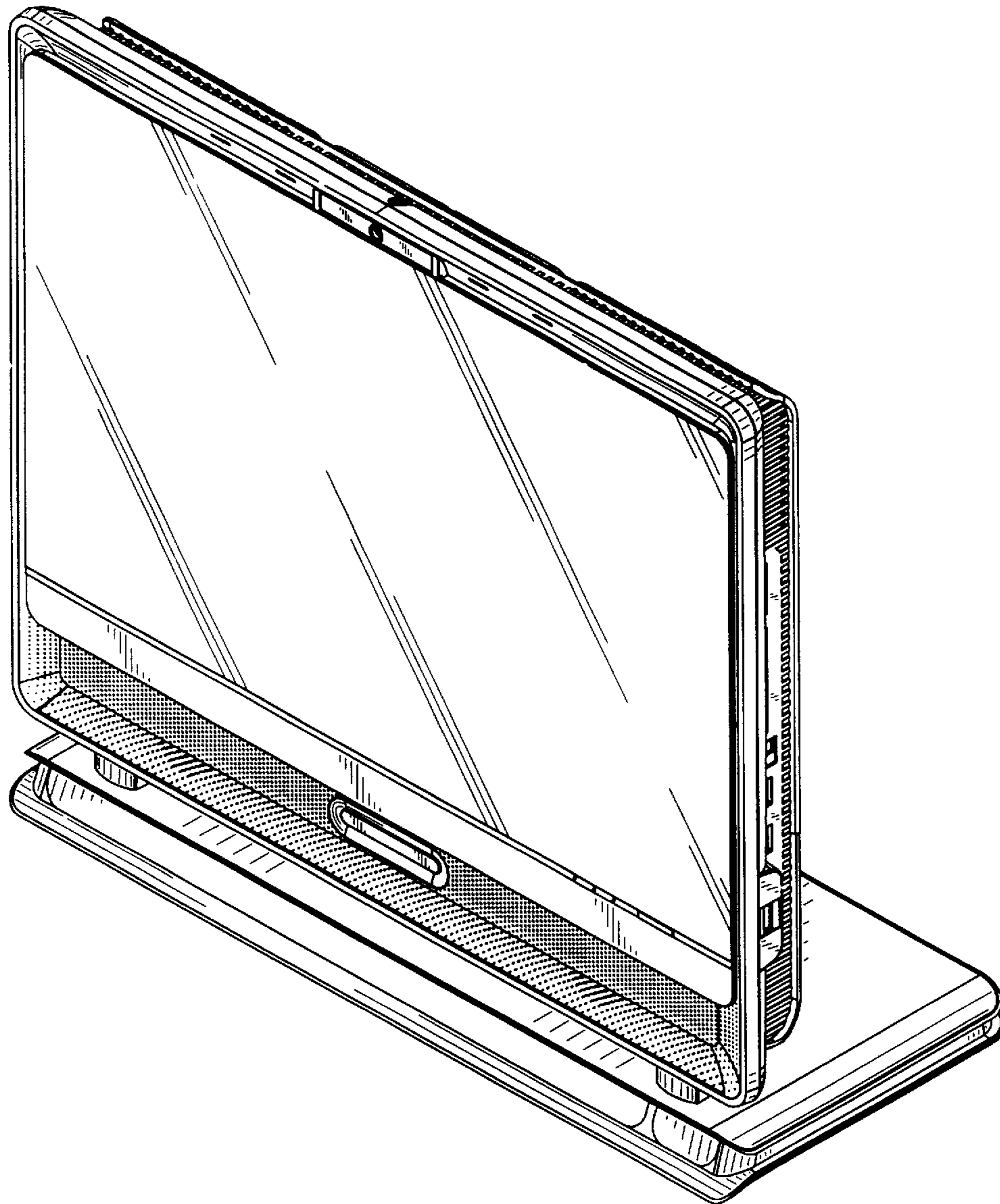


FIG. 1

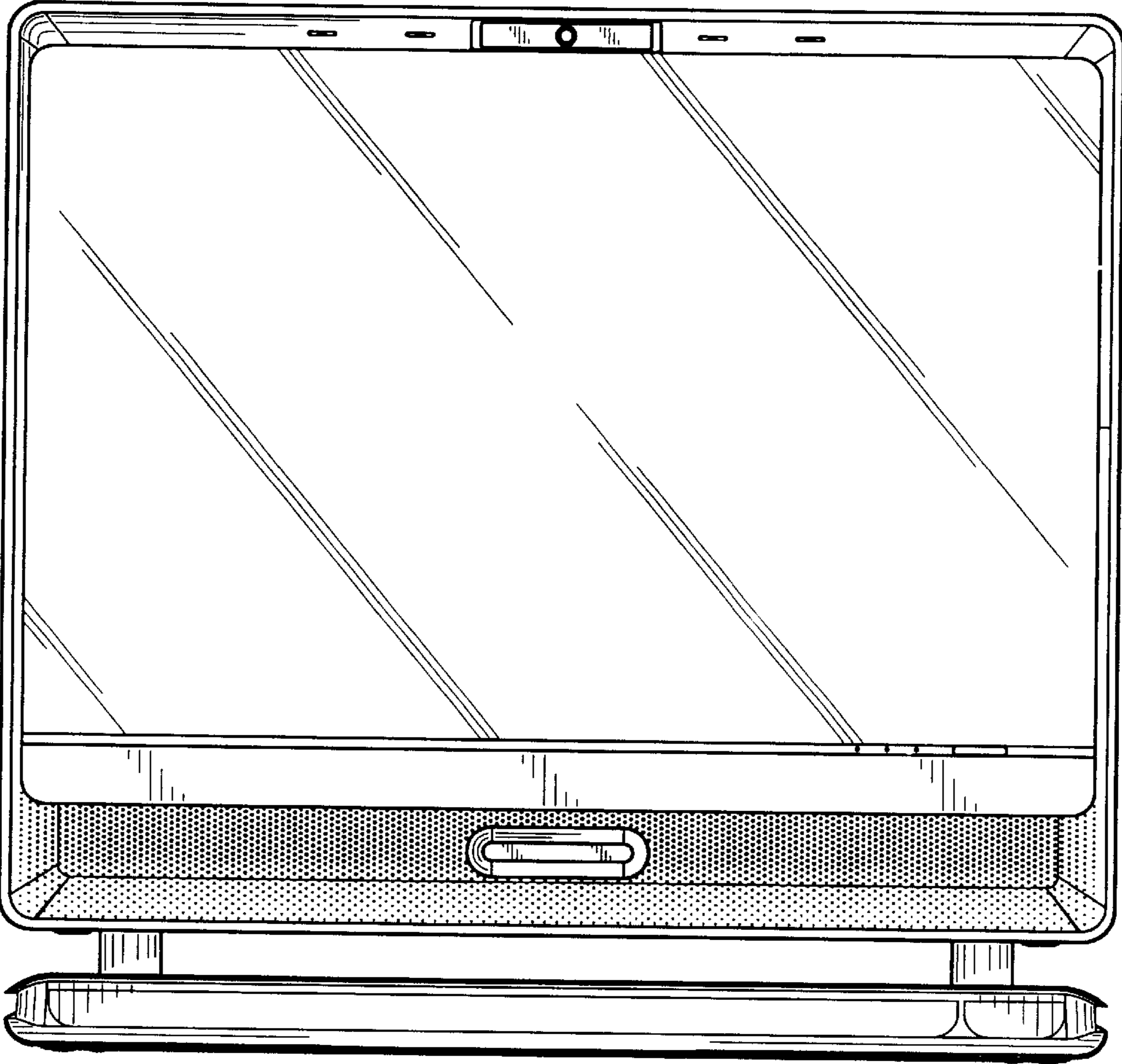


FIG. 2

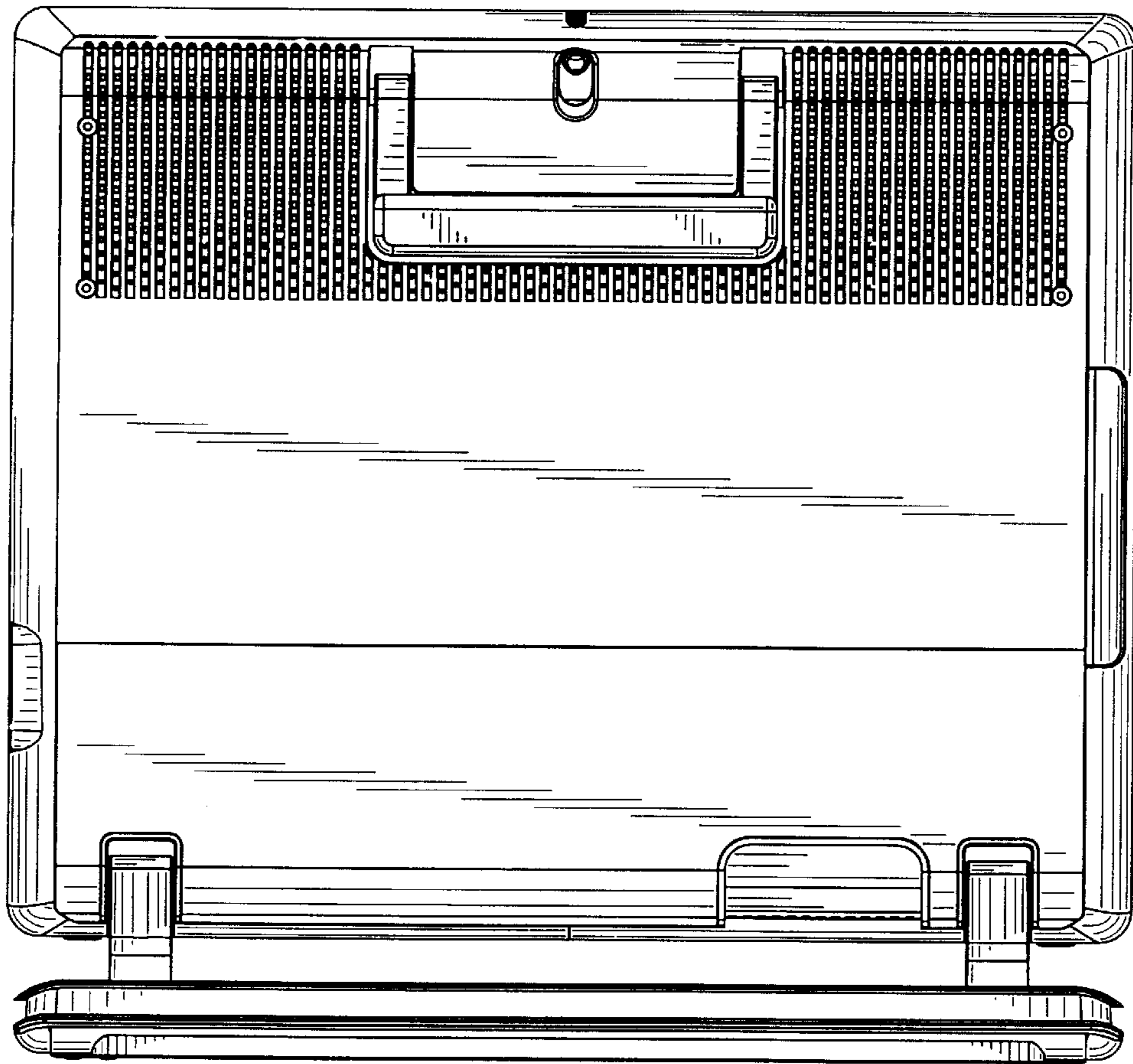


FIG. 3

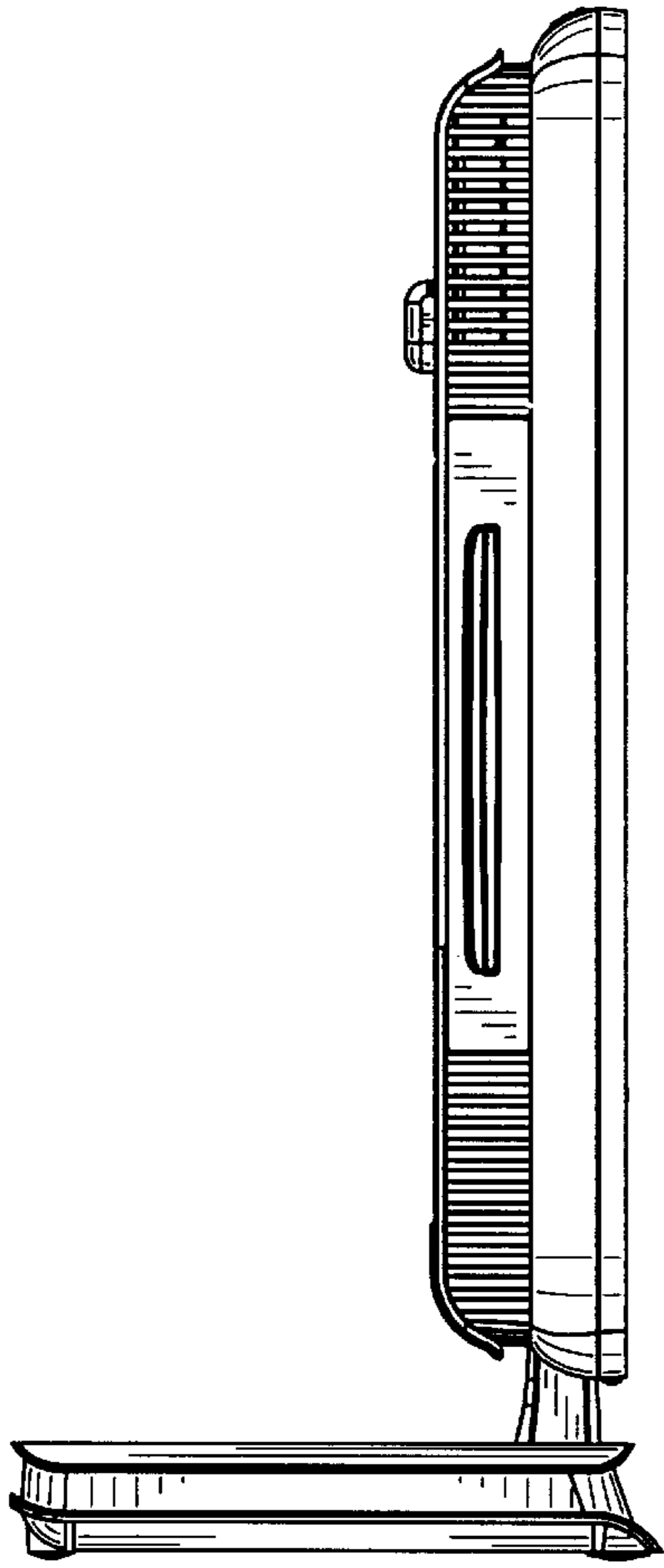


FIG. 4

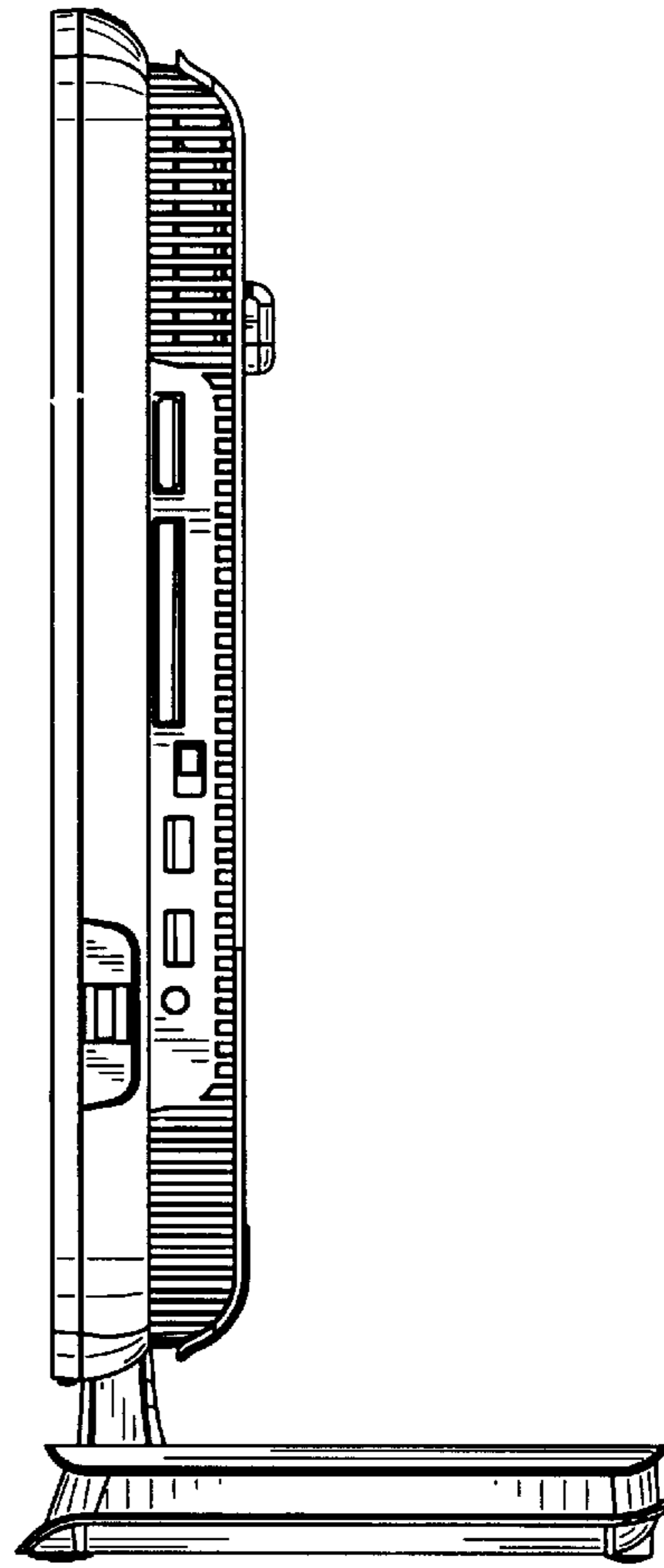


FIG. 5

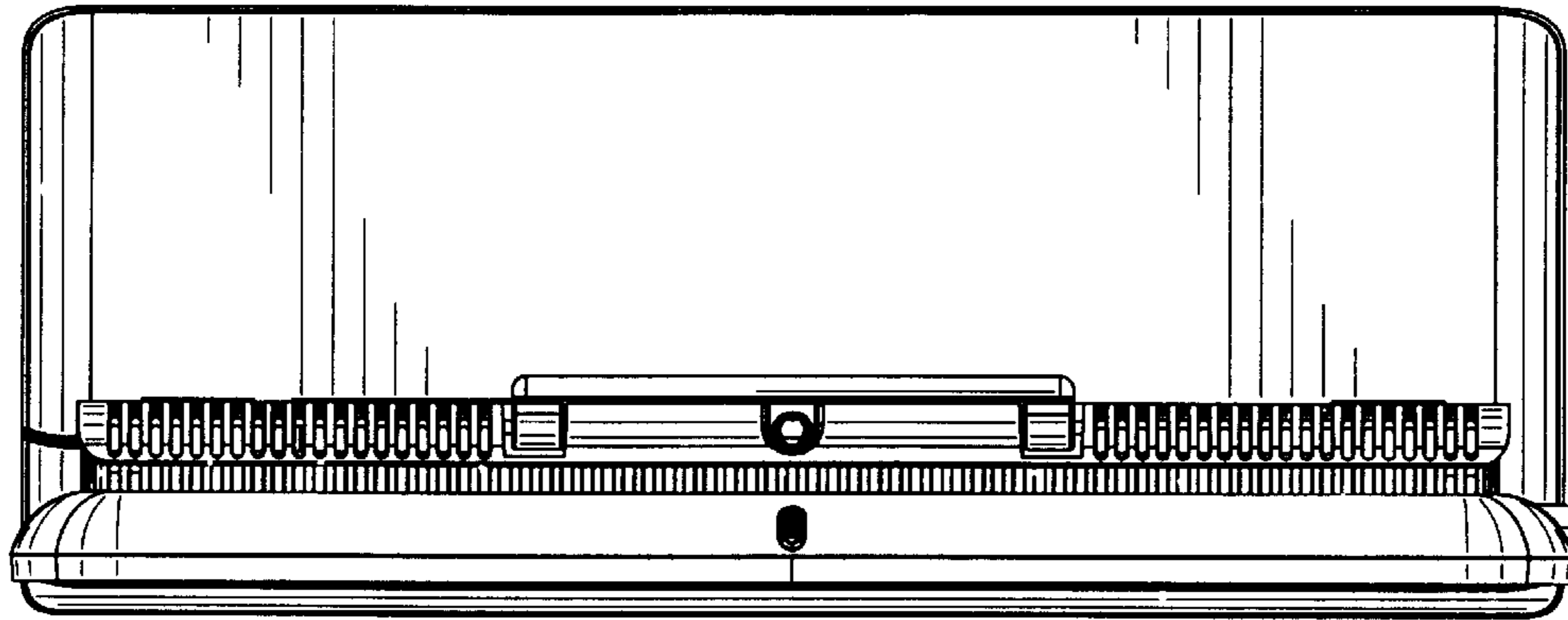


FIG. 6

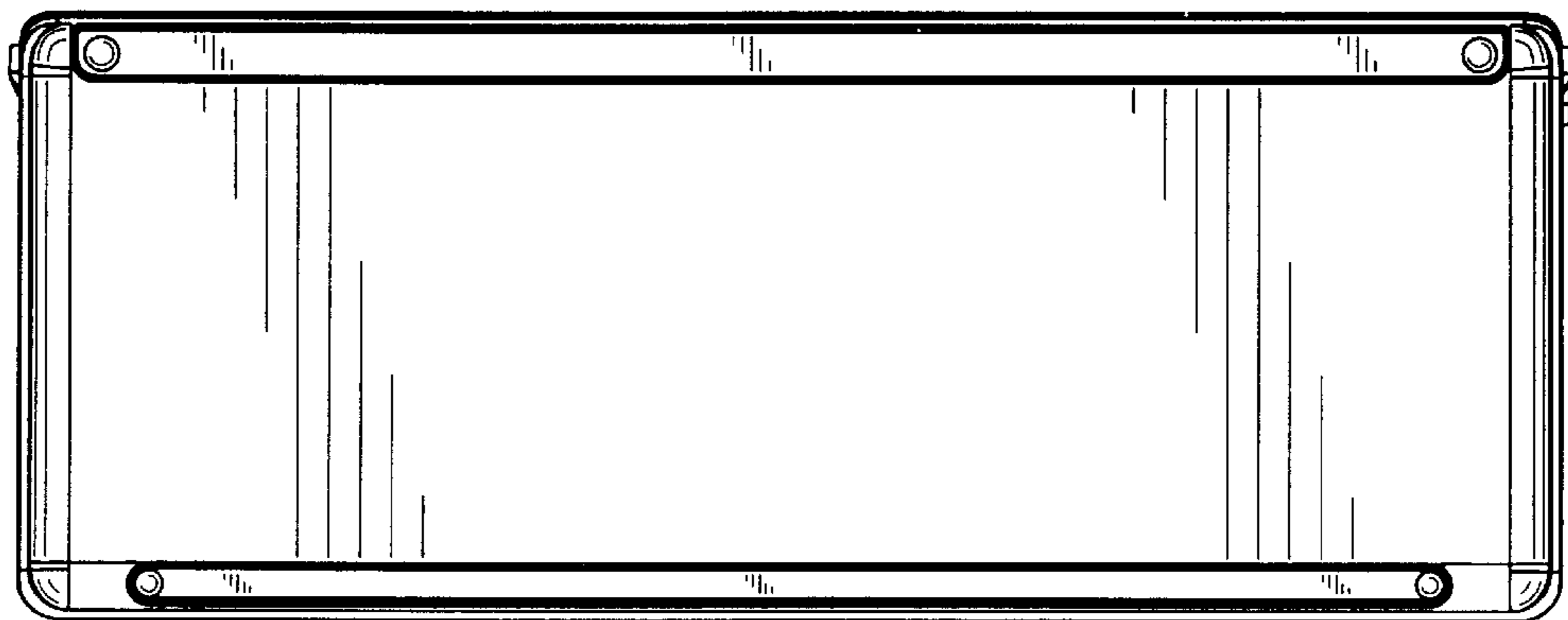


FIG. 7

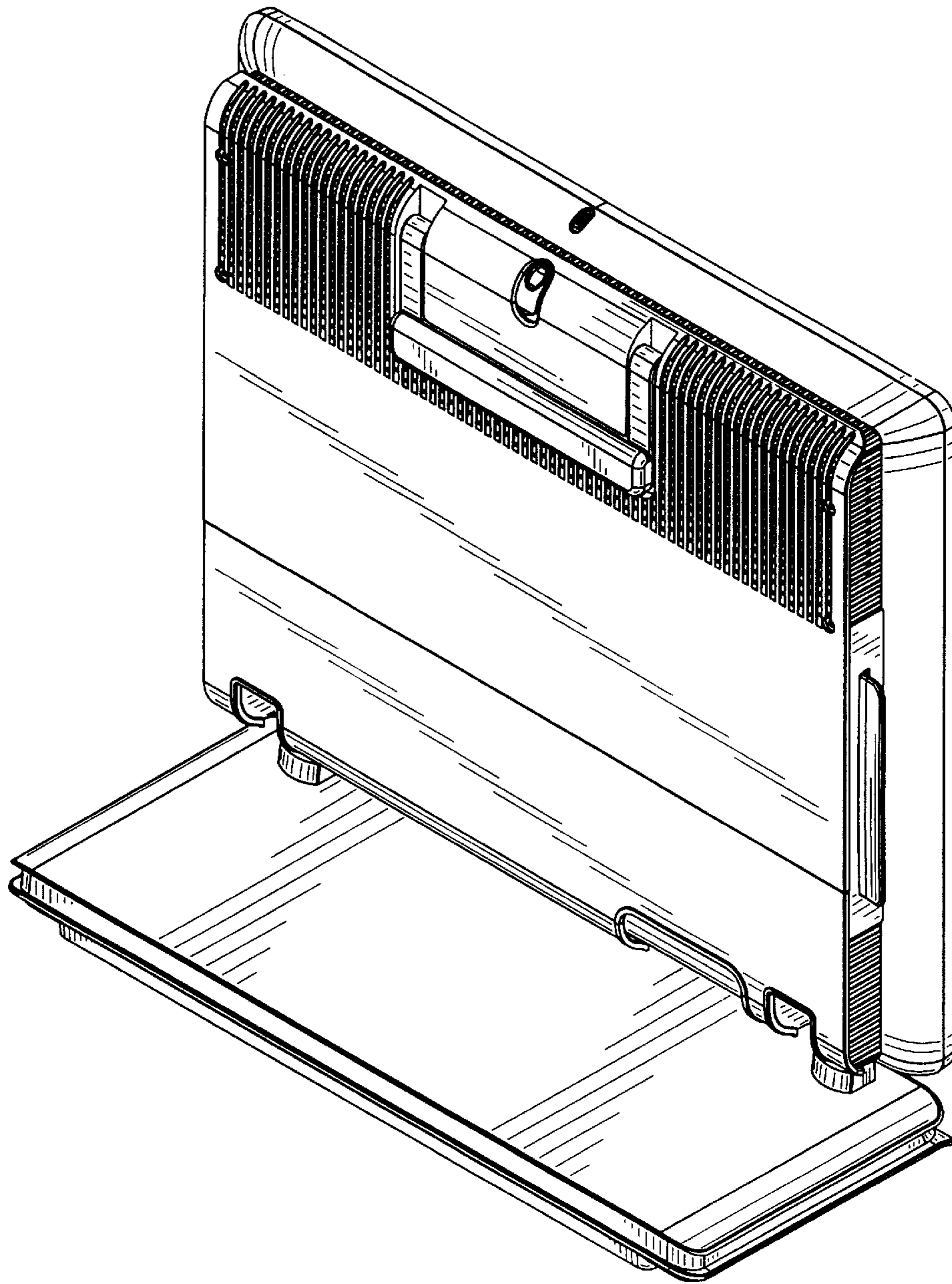


FIG. 8

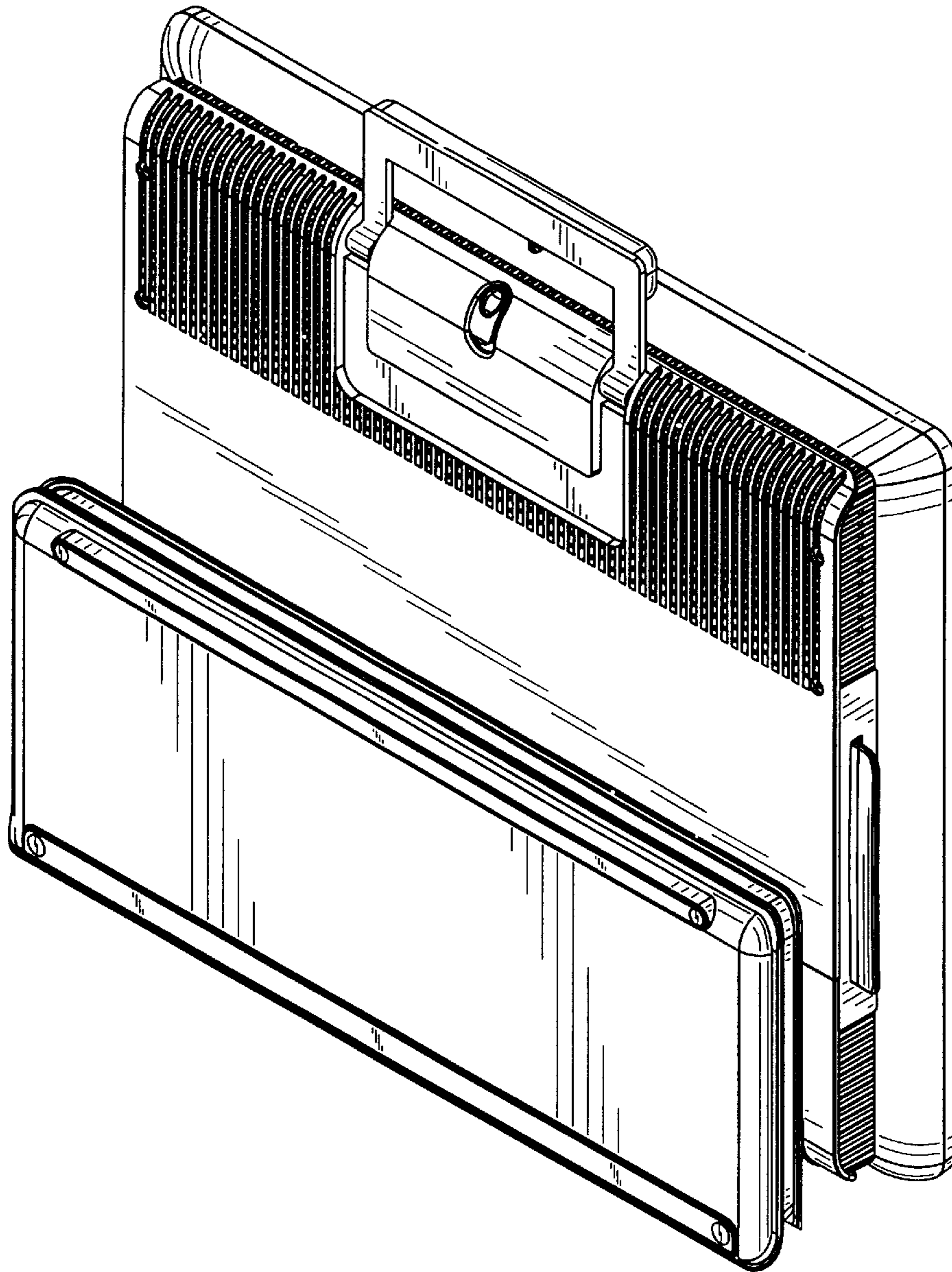


FIG. 9