



US00D539792S

(12) **United States Design Patent**  
**Kim**

(10) **Patent No.:** **US D539,792 S**

(45) **Date of Patent:** **\*\* \*Apr. 3, 2007**

(54) **FOLD-OUT SCREEN PORTION FOR A MOBILE PHONE**

(76) Inventor: **Si Han Kim**, 338-1, Daessangyong-Ri, Choweol-Myun, Kwagiu-Kun, Kyunggi-Do, 464-862 (KR)

(\*) Notice: This patent is subject to a terminal disclaimer.

(\*\*) Term: **14 Years**

(21) Appl. No.: **29/207,813**

(22) Filed: **Jun. 17, 2004**

(30) **Foreign Application Priority Data**

Dec. 29, 2003 (KR) ..... 30-2003-0037064

(51) **LOC (8) Cl.** ..... **14-03**

(52) **U.S. Cl.** ..... **D14/248**

(58) **Field of Classification Search** ..... D14/130, D14/240, 137-138, 140, 142, 144, 147, 148-149, D14/150-151; 379/435-436, 419, 440  
See application file for complete search history.

(56) **References Cited**

**U.S. PATENT DOCUMENTS**

D363,281 S	*	10/1995	Buhrmann	.....	D14/138
D382,556 S	*	8/1997	Jeong	.....	D14/138
D421,257 S	*	2/2000	Sato et al.	.....	D14/138
6,262,785 B1	*	7/2001	Kim	.....	349/58
6,297,945 B1	*	10/2001	Yamamoto	.....	361/681
D459,330 S	*	6/2002	Suzuki et al.	.....	D14/138
6,931,265 B2	*	8/2005	Reyes et al.	.....	455/566
2002/0104769 A1	*	8/2002	Kim et al.	.....	206/320
2005/0248501 A1	*	11/2005	Kim	.....	345/1.1

\* cited by examiner

*Primary Examiner*—Ian Simmons

*Assistant Examiner*—Carla Jobe Wright

(74) *Attorney, Agent, or Firm*—Norris McLaughlin & Marcus PA

(57) **CLAIM**

The ornamental design for a fold-out screen portion for a mobile phone, as shown and described.

**DESCRIPTION**

FIG. 1 is a perspective view of fold-out screen portion for a mobile phone.

FIG. 2 is a front view of FIG. 1.

FIG. 3 is a rear view of FIG. 1.

FIG. 4 is a left side view of FIG. 1.

FIG. 5 is a right side view of FIG. 1.

FIG. 6 is a top view of FIG. 1.

FIG. 7 is a bottom view of FIG. 1.

FIG. 8 is a front view of the invention of FIG. 1 in a partially unfolded state.

FIG. 9 is a perspective view of the invention of FIG. 1 in a wholly folded state.

FIG. 10 is a front view of FIG. 9.

FIG. 11 is a rear view of FIG. 9.

FIG. 12 is a left side view of FIG. 9.

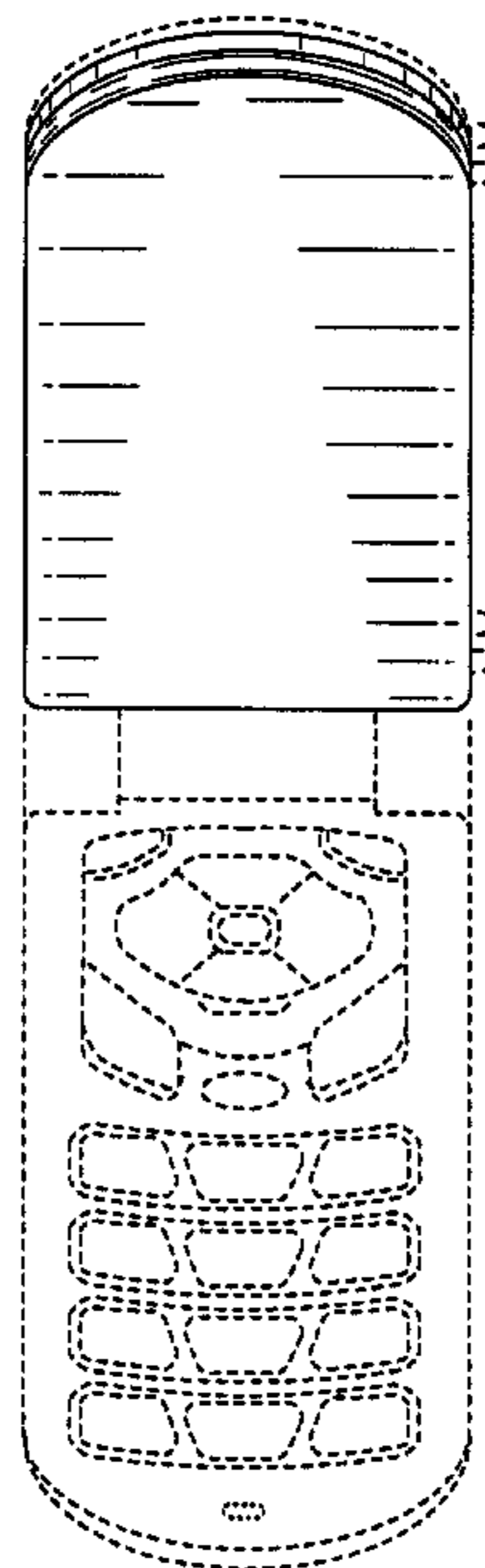
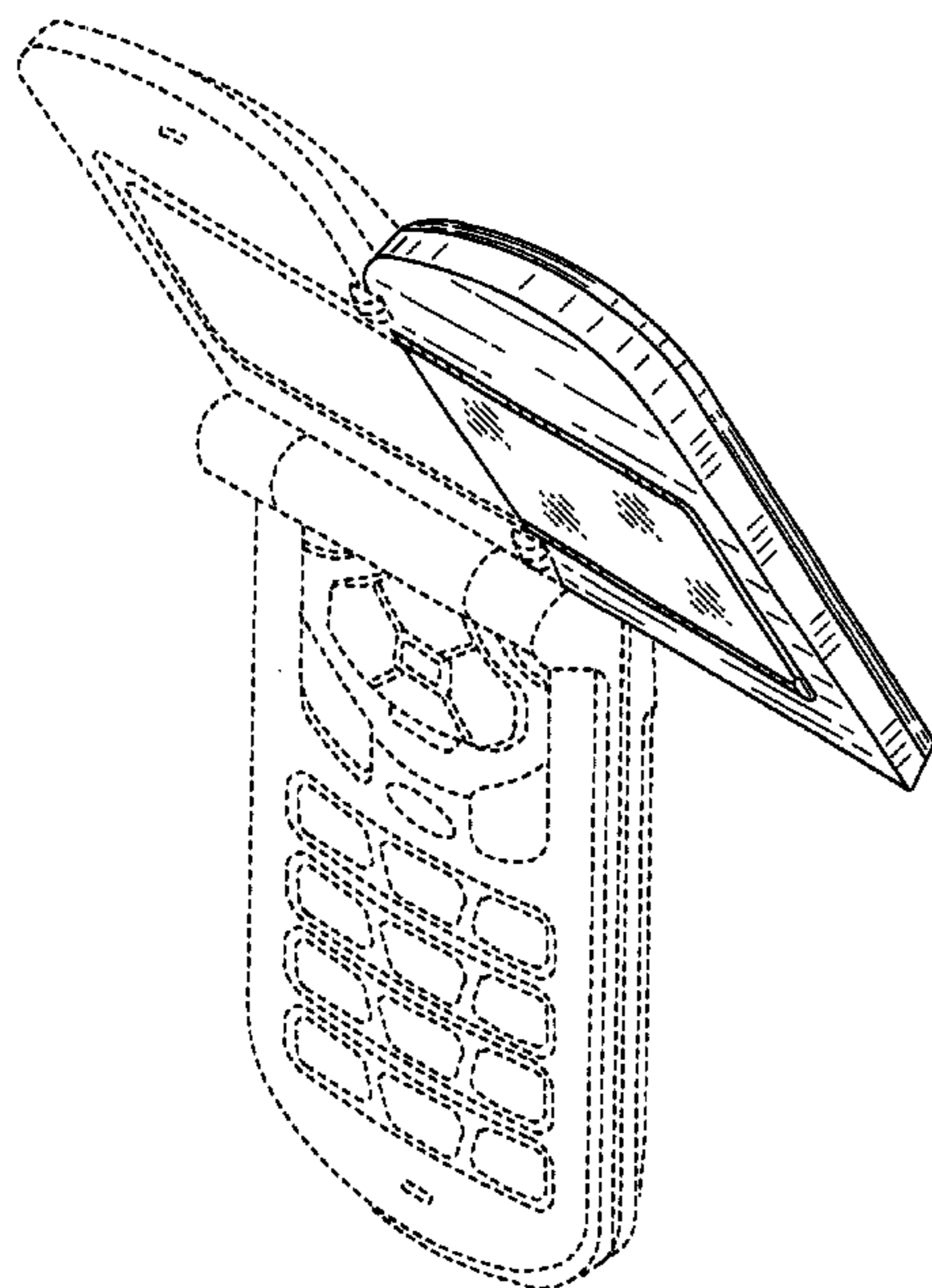
FIG. 13 is a right side view of FIG. 9.

FIG. 14 is a top view of FIG. 9; and,

FIG. 15 is a bottom view of FIG. 9.

The broken line showing of environmental structures is for illustrative purposes only and forms no part of the claimed design.

**1 Claim, 13 Drawing Sheets**



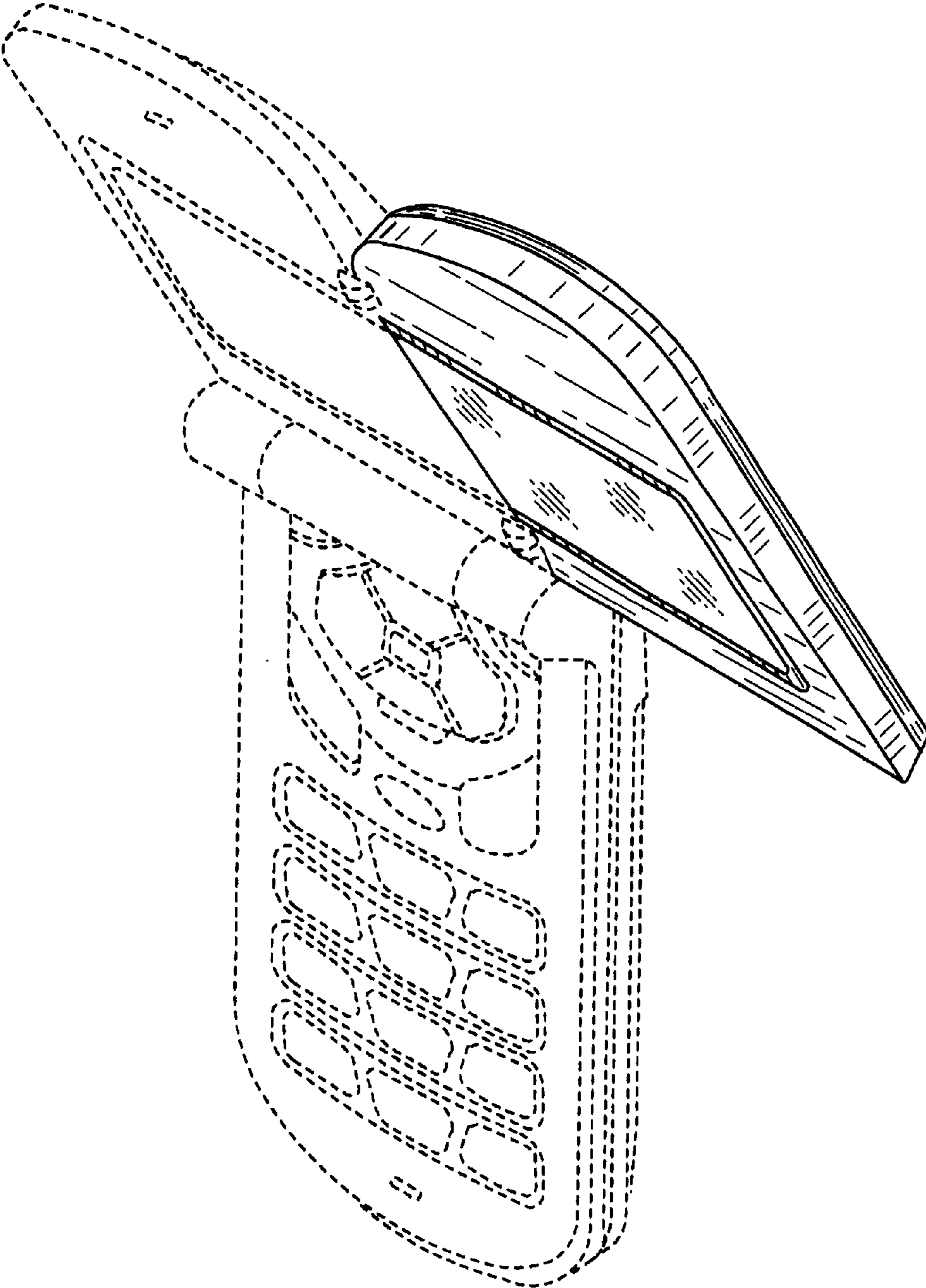


FIG. 1

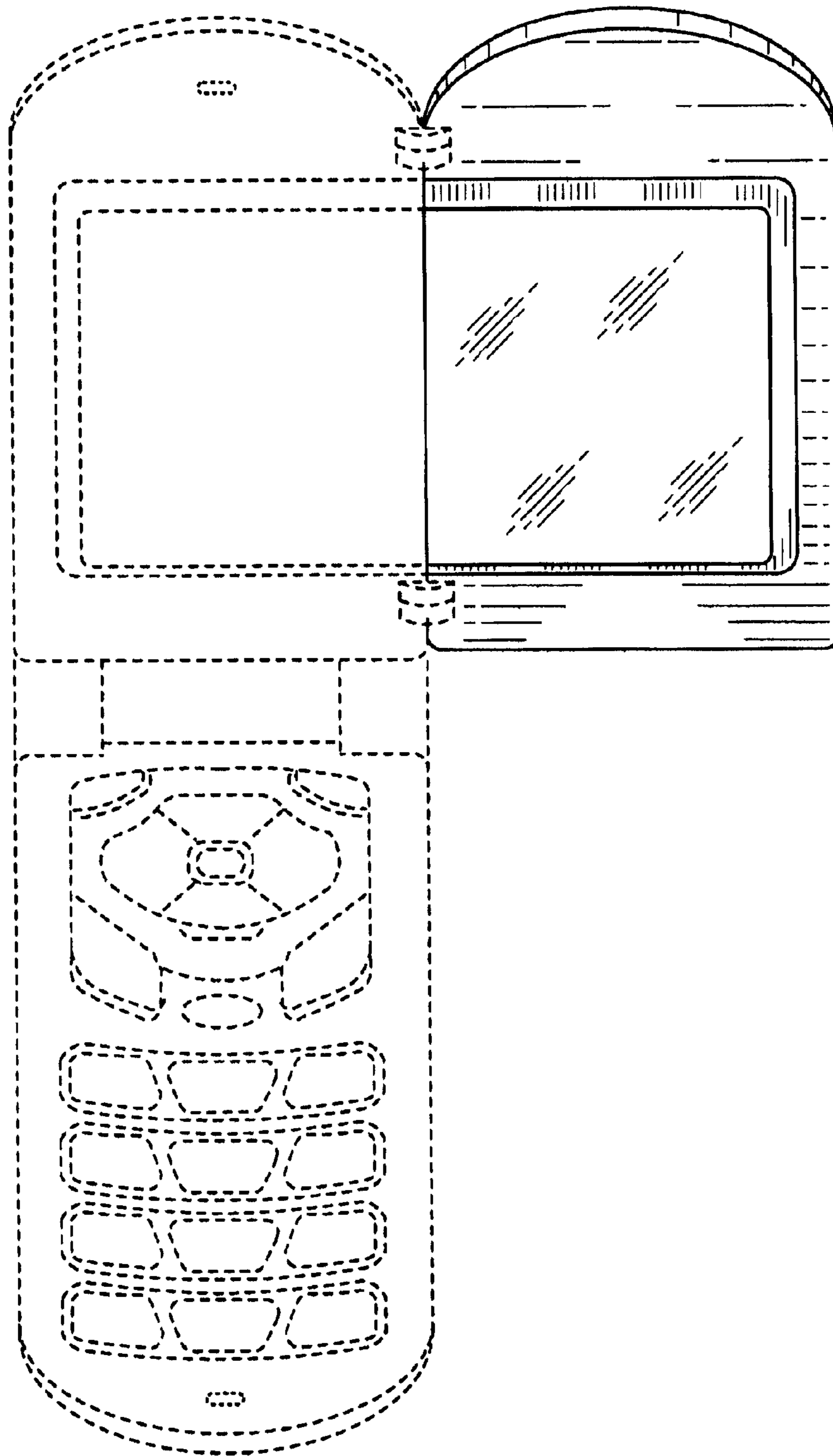


FIG. 2

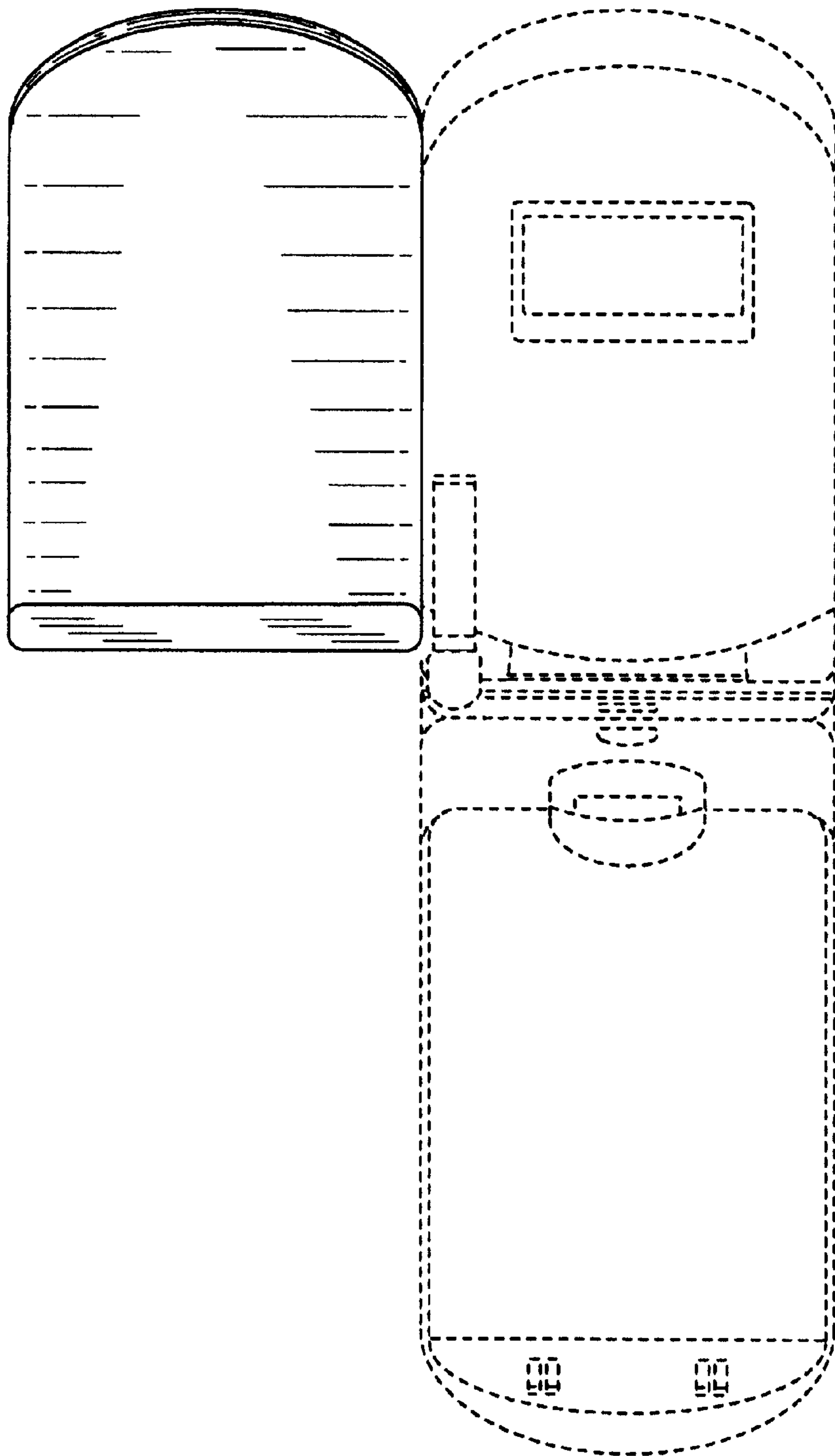


FIG. 3

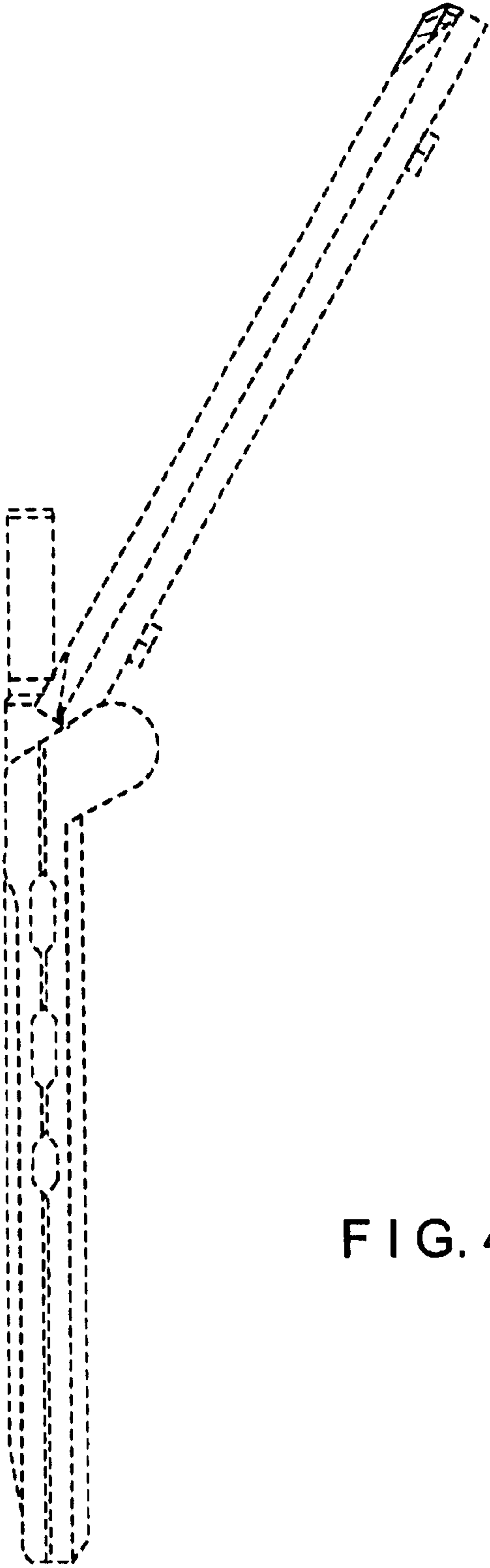


FIG. 4



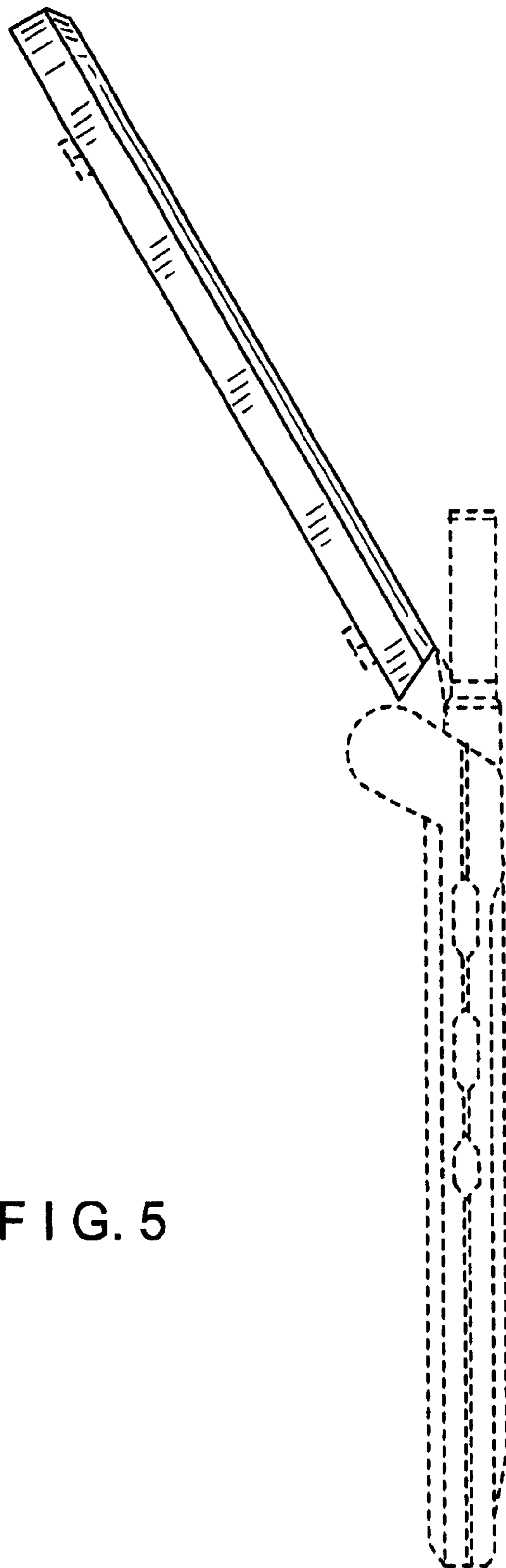


FIG. 5

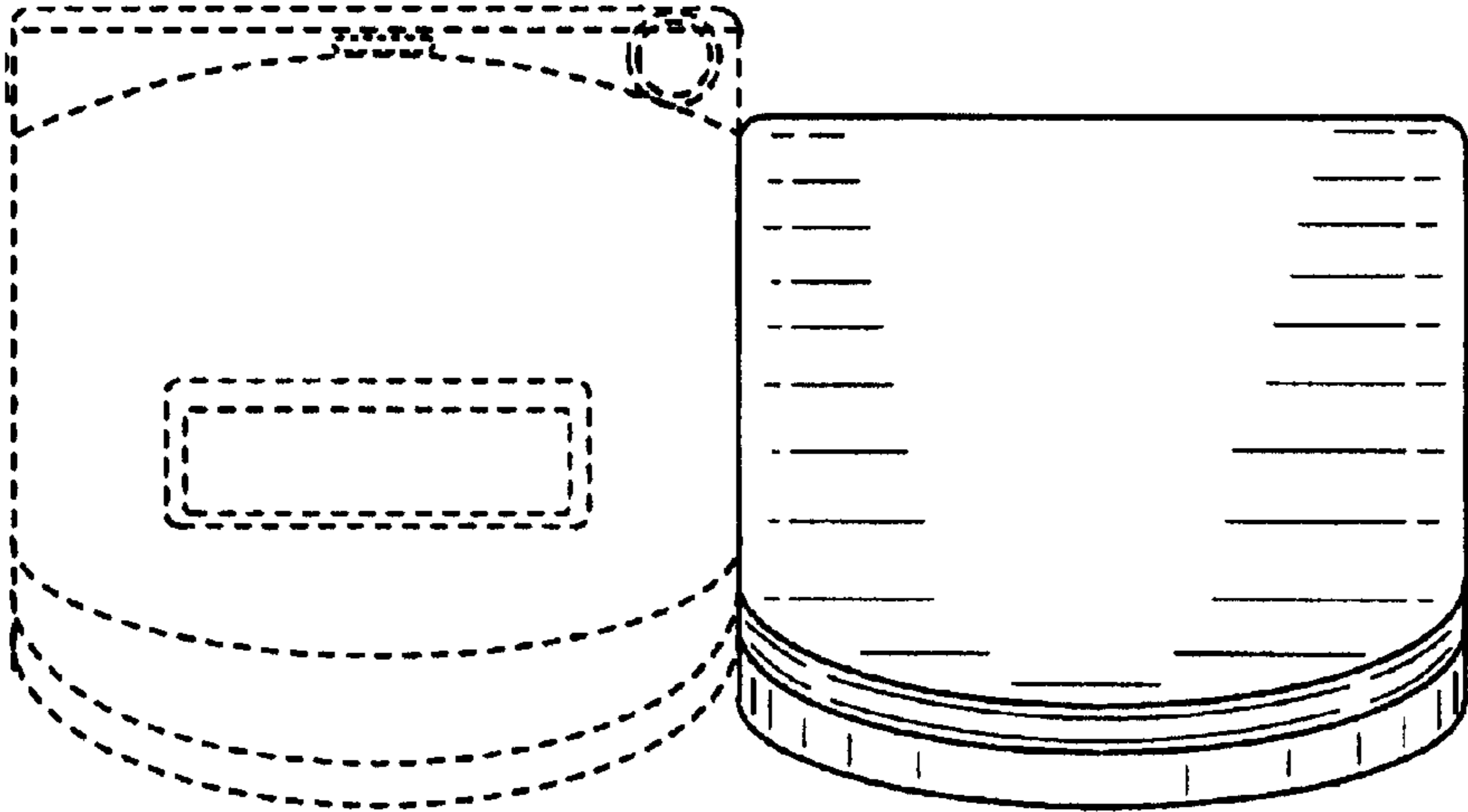


FIG. 6

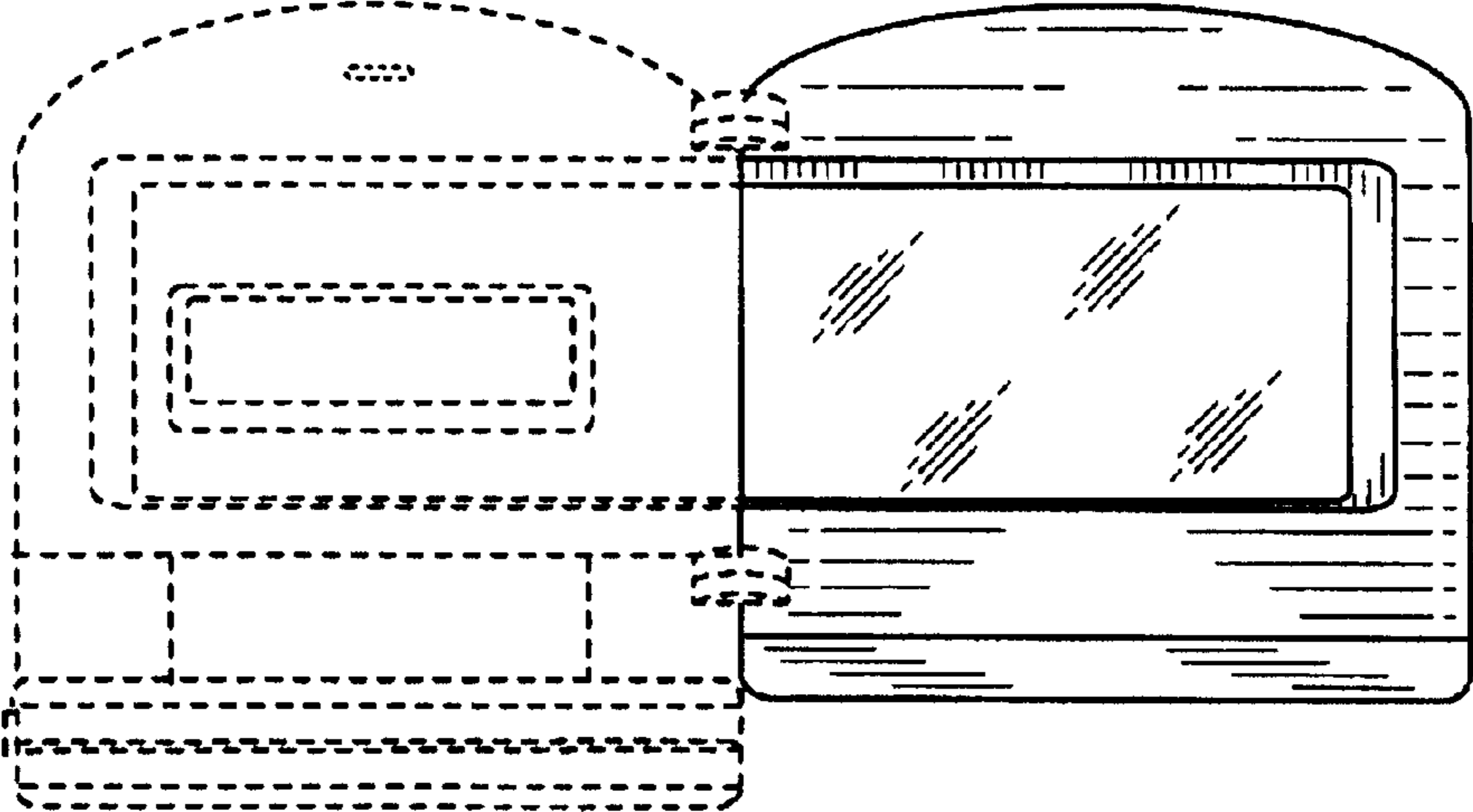


FIG. 7

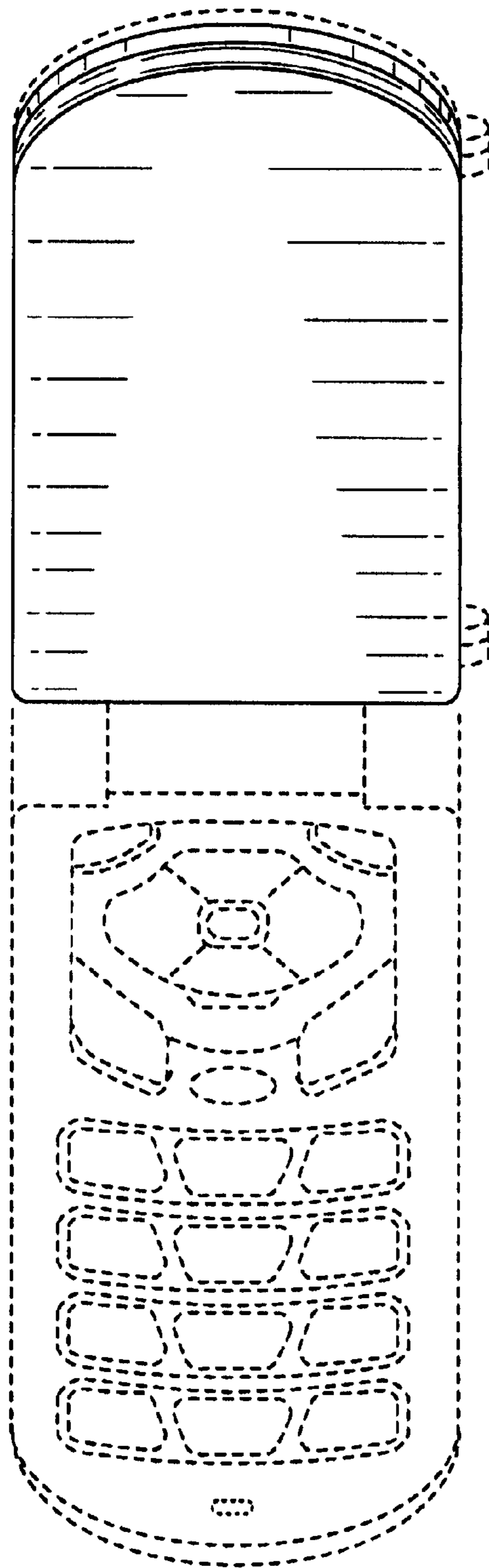


FIG. 8



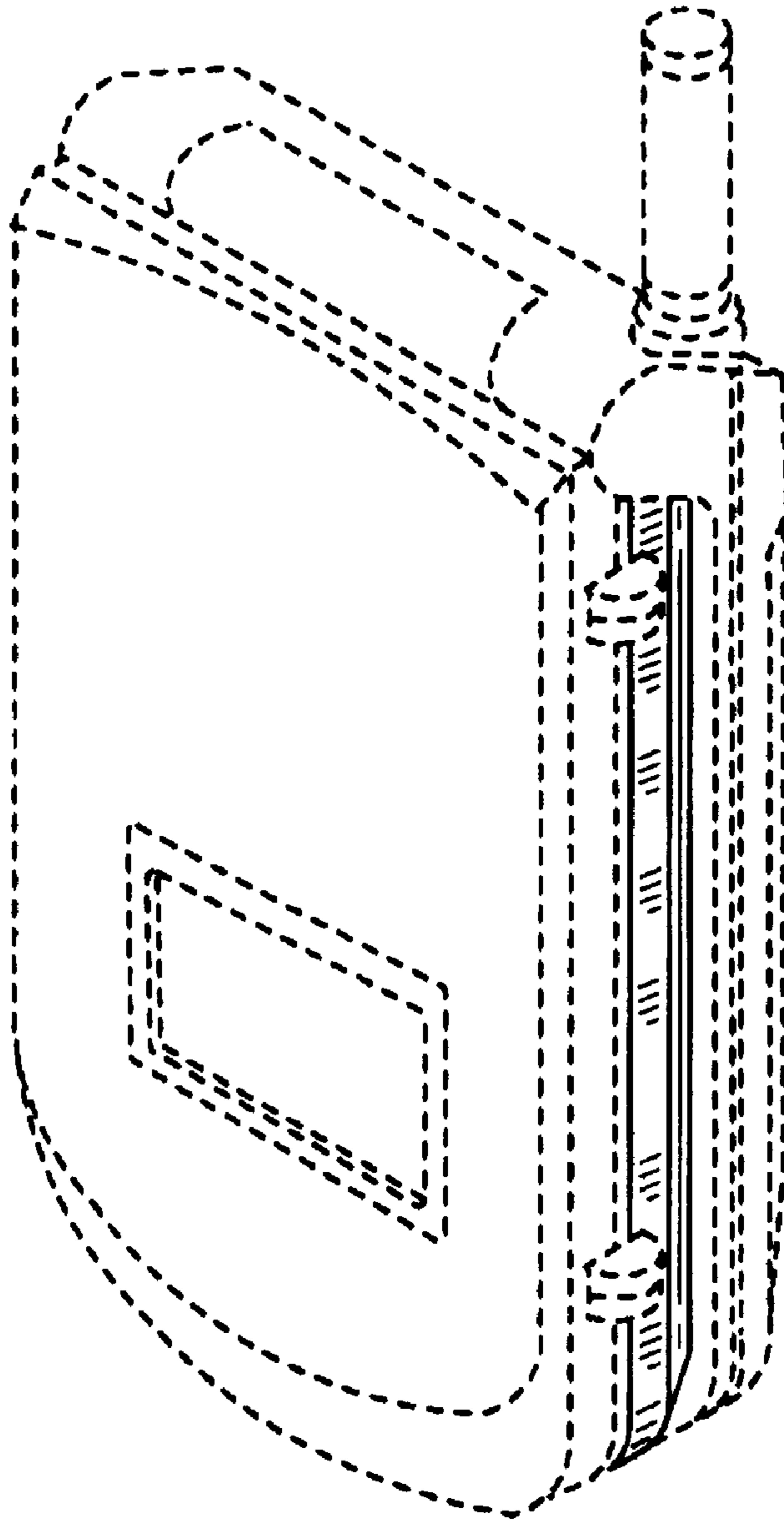


FIG. 9

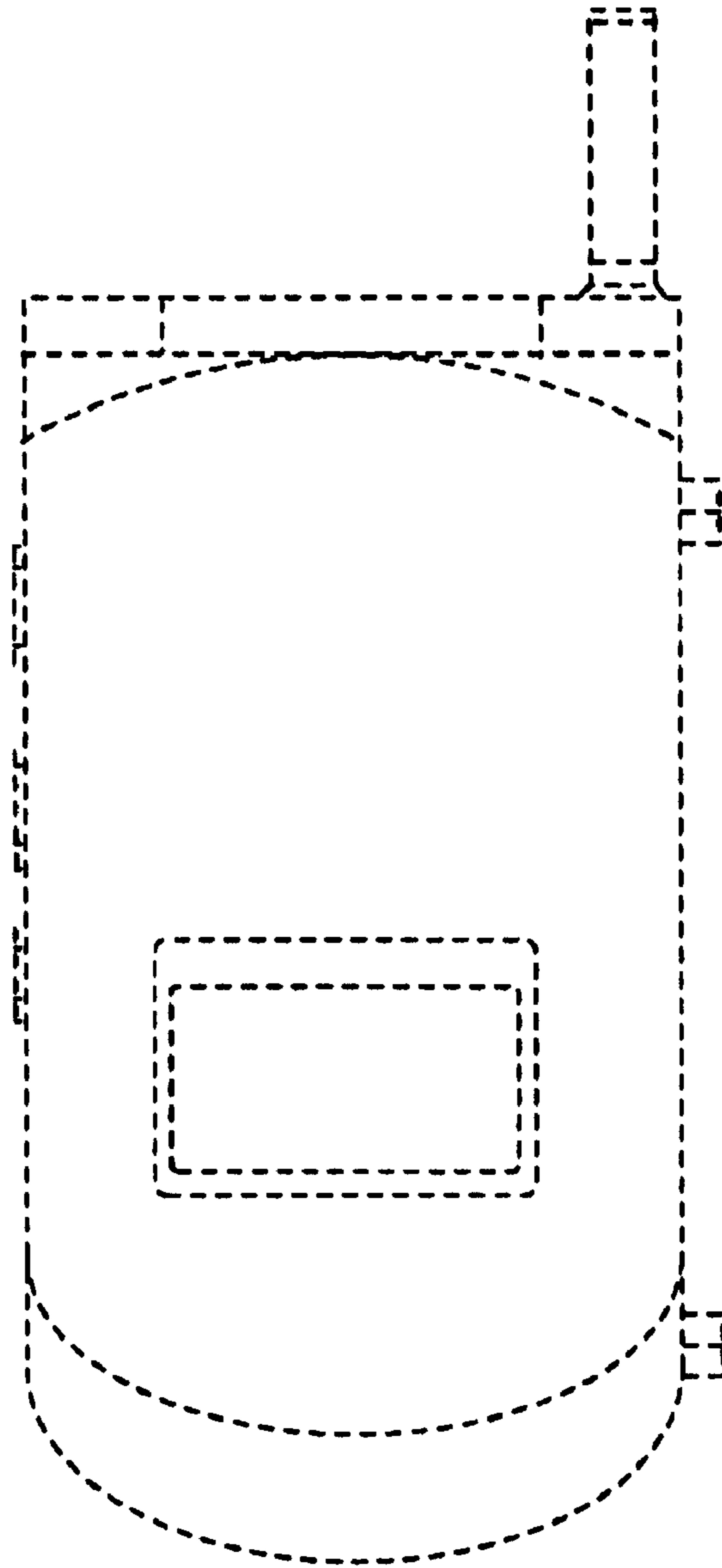


FIG. 10

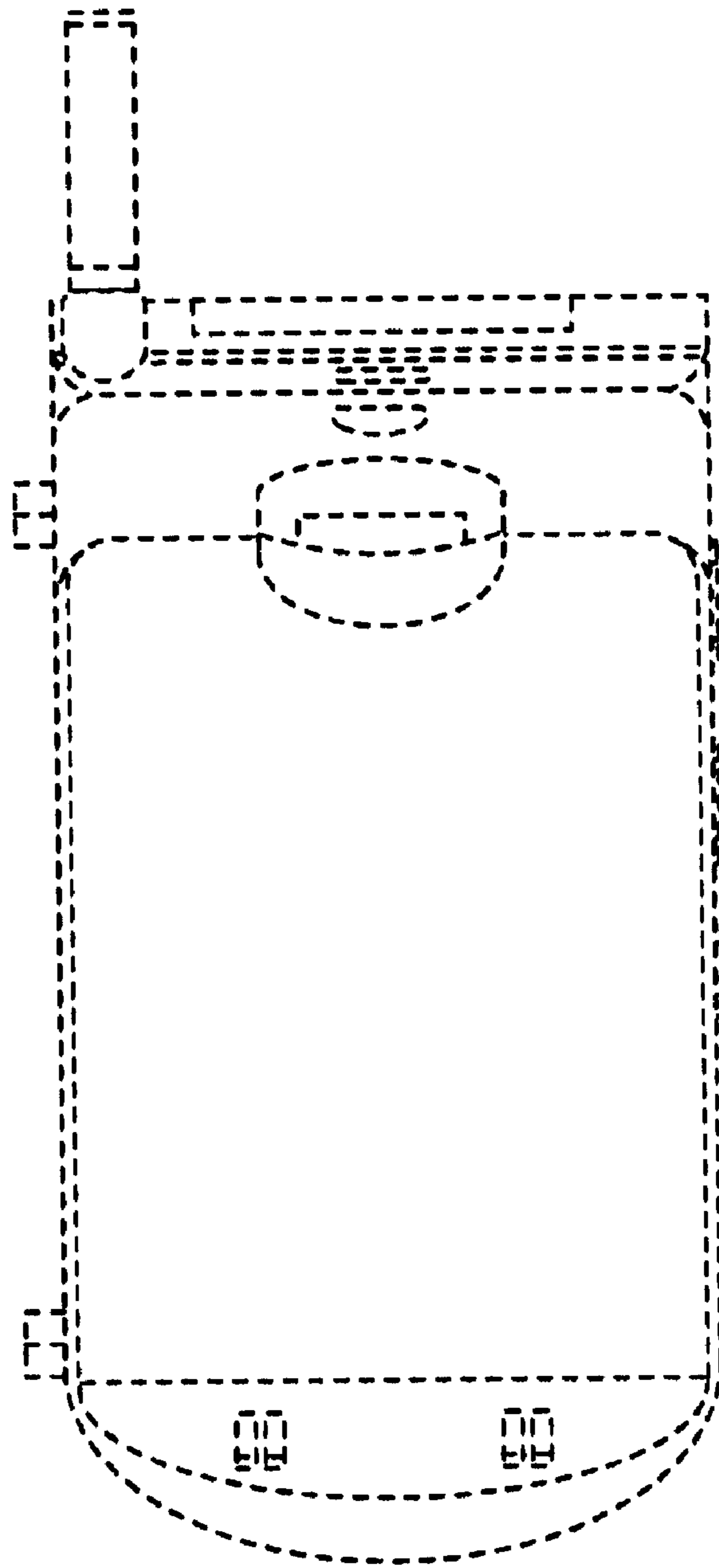


FIG. 11

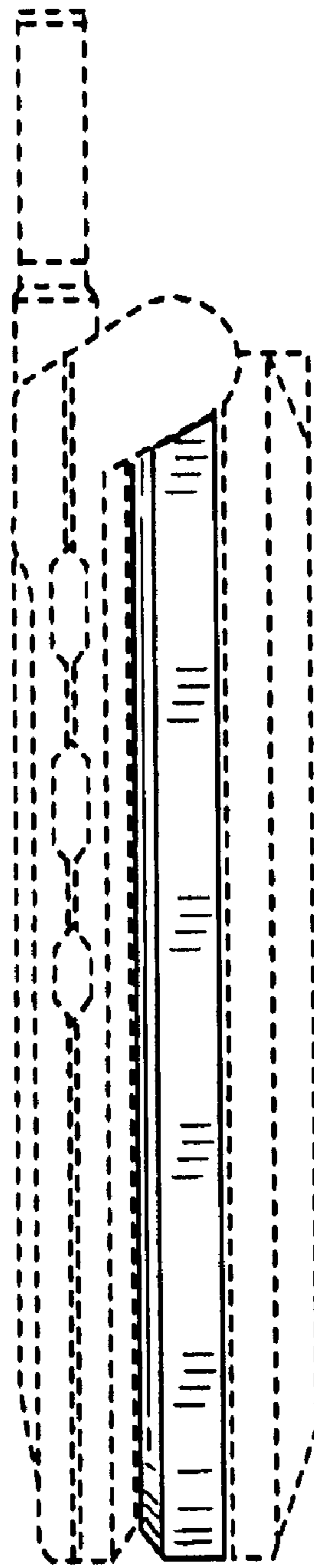


FIG. 12

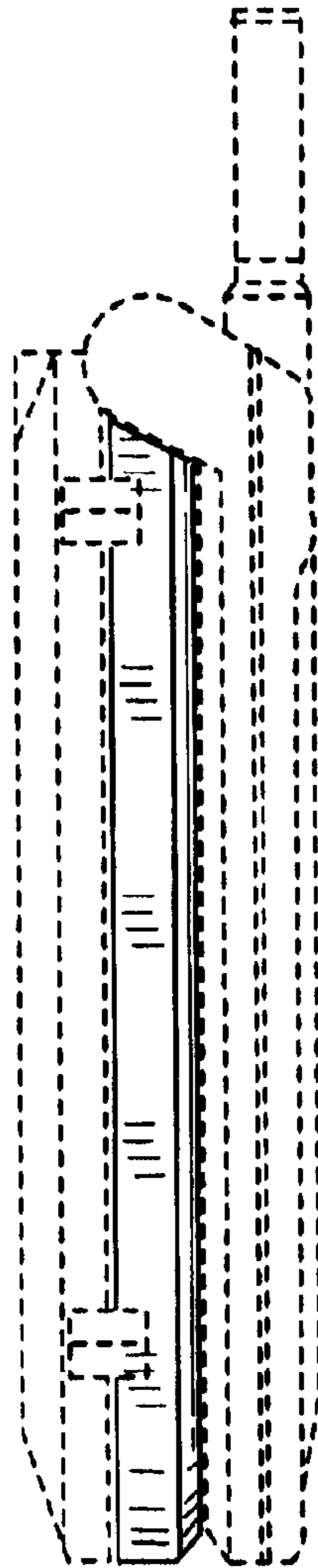


FIG. 13

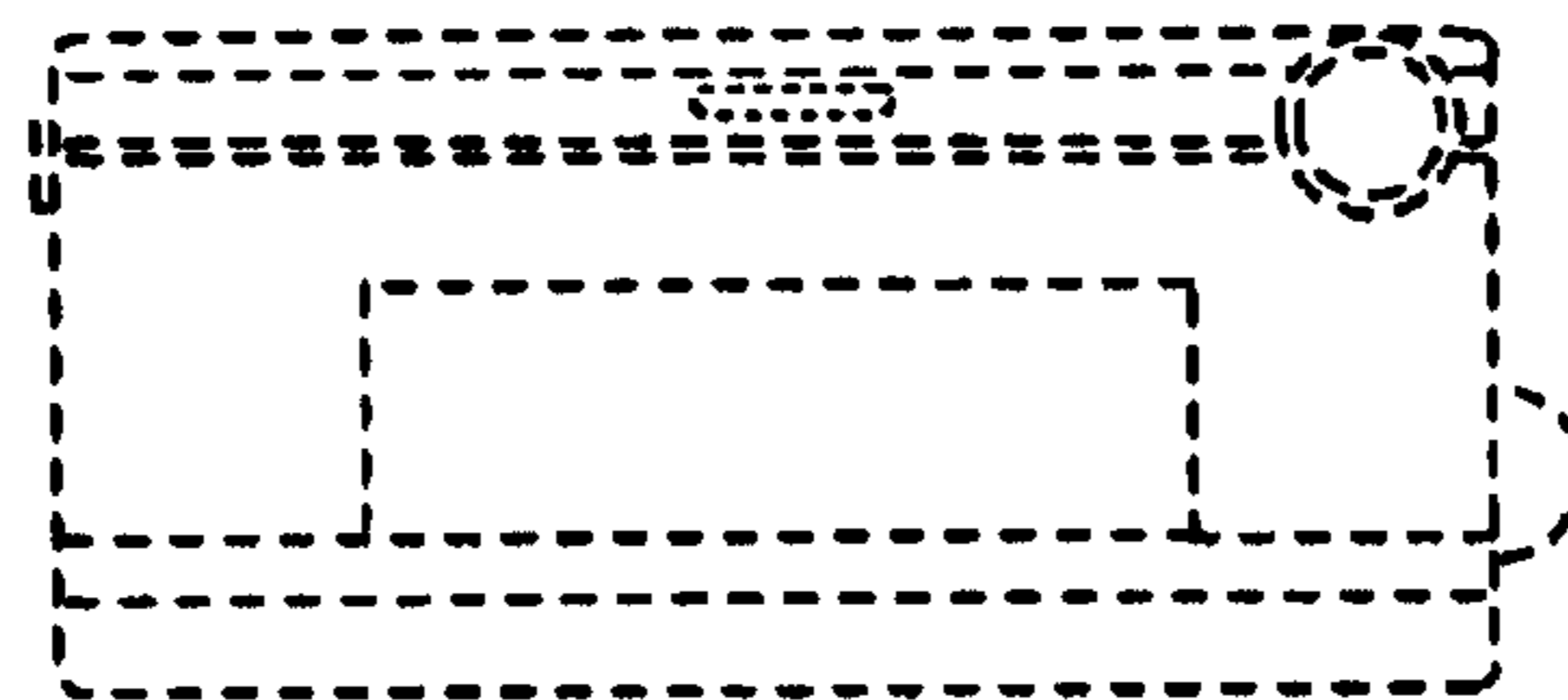


FIG. 14

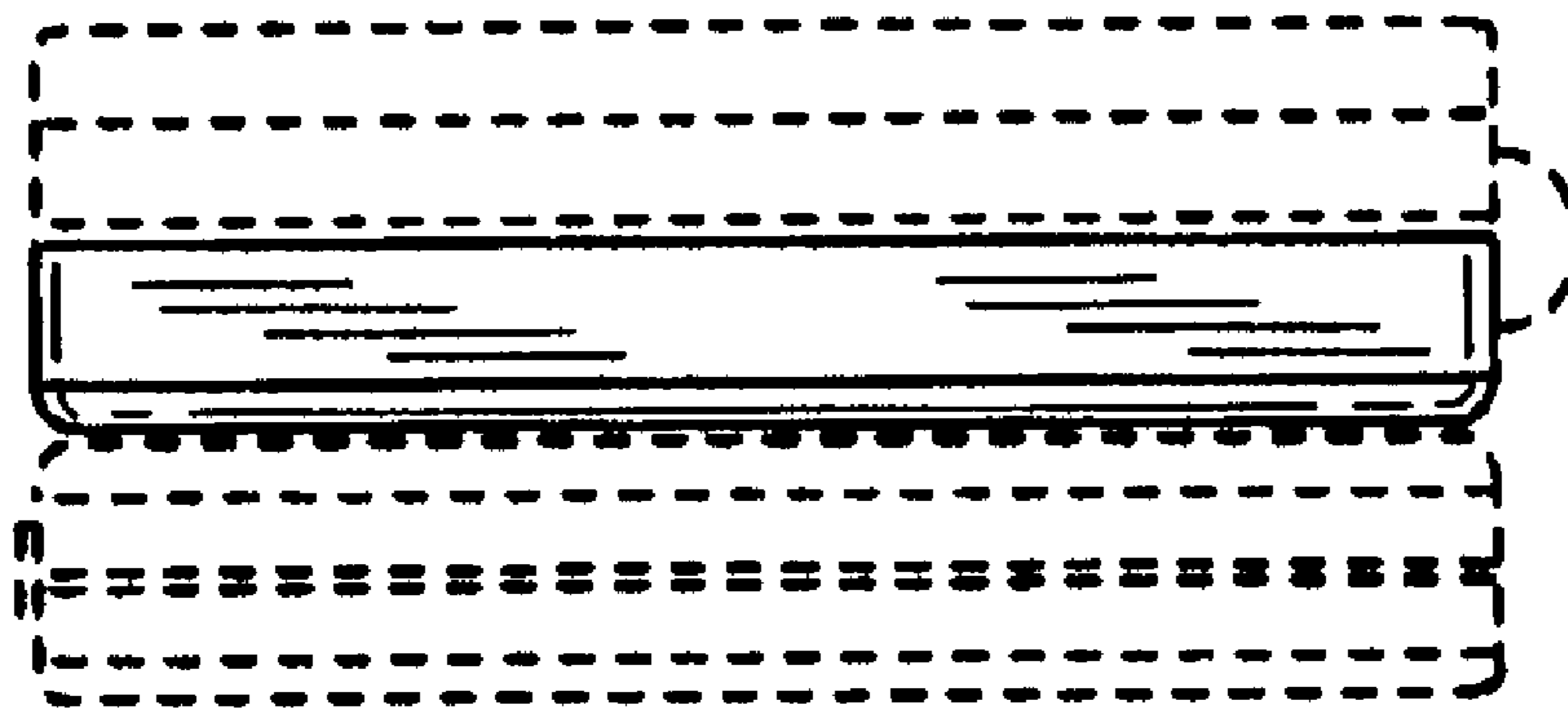


FIG. 15