



US00D539790S

(12) **United States Design Patent**  
**Wang**

(10) **Patent No.:** **US D539,790 S**

(45) **Date of Patent:** **\*\* Apr. 3, 2007**

(54) **MICROPHONE CAN SHELL**

(75) Inventor: **Hung-Chi Wang, Tu-Cheng (TW)**

(73) Assignee: **Cheng Uei Precision Industry Co., Ltd., Taipei Hsien (TW)**

(\*\*) Term: **14 Years**

(21) Appl. No.: **29/255,027**

(22) Filed: **Mar. 2, 2006**

(51) **LOC (8) Cl.** ..... **14-01**

(52) **U.S. Cl.** ..... **D14/228**

(58) **Field of Classification Search** ..... D14/188,  
D14/191, 225, 226, 227, 228; D13/146, 154;  
174/83, 483, 665, 488, 485; 220/3.4; D8/353;  
381/160, 353, 355, 394, 417, 412, 361, 448;  
455/569.2; 379/441, 443.05, 438

See application file for complete search history.

(56) **References Cited**

**U.S. PATENT DOCUMENTS**

1,642,777	A	*	9/1927	Jones	.....	381/417
2,044,444	A	*	6/1936	Pond	.....	174/665
D195,959	S	*	8/1963	Spilman	.....	D14/228
3,153,118	A	*	10/1964	Clark	.....	174/483

3,318,476	A	*	5/1967	Clark	.....	220/3.4
3,331,970	A	*	7/1967	Dundon et al.	.....	310/324
3,921,016	A	*	11/1975	Livermore et al.	.....	310/324
4,295,009	A	*	10/1981	Weidler	.....	381/394
D274,904	S	*	7/1984	Legerius et al.	.....	D13/154
5,615,273	A	*	3/1997	Lucey et al.	.....	381/361
6,751,317	B2	*	6/2004	Shima et al.	.....	379/438
D516,521	S	*	3/2006	Yao et al.	.....	D13/154

\* cited by examiner

*Primary Examiner*—Paula A. Greene

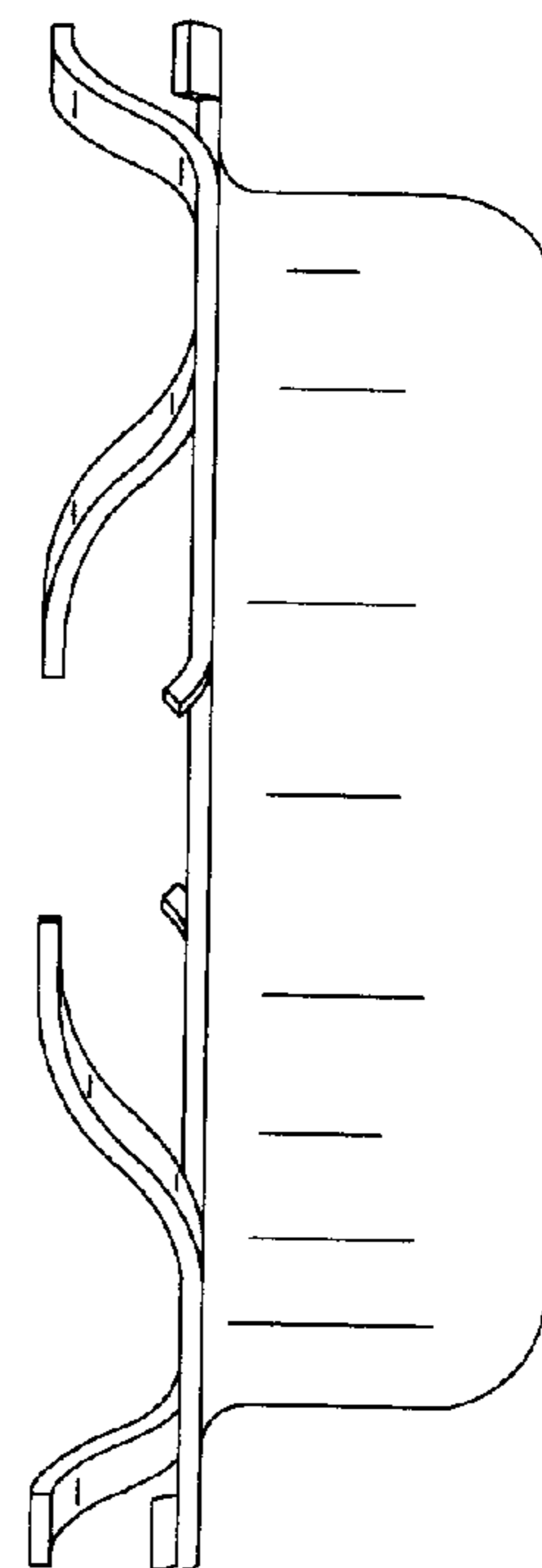
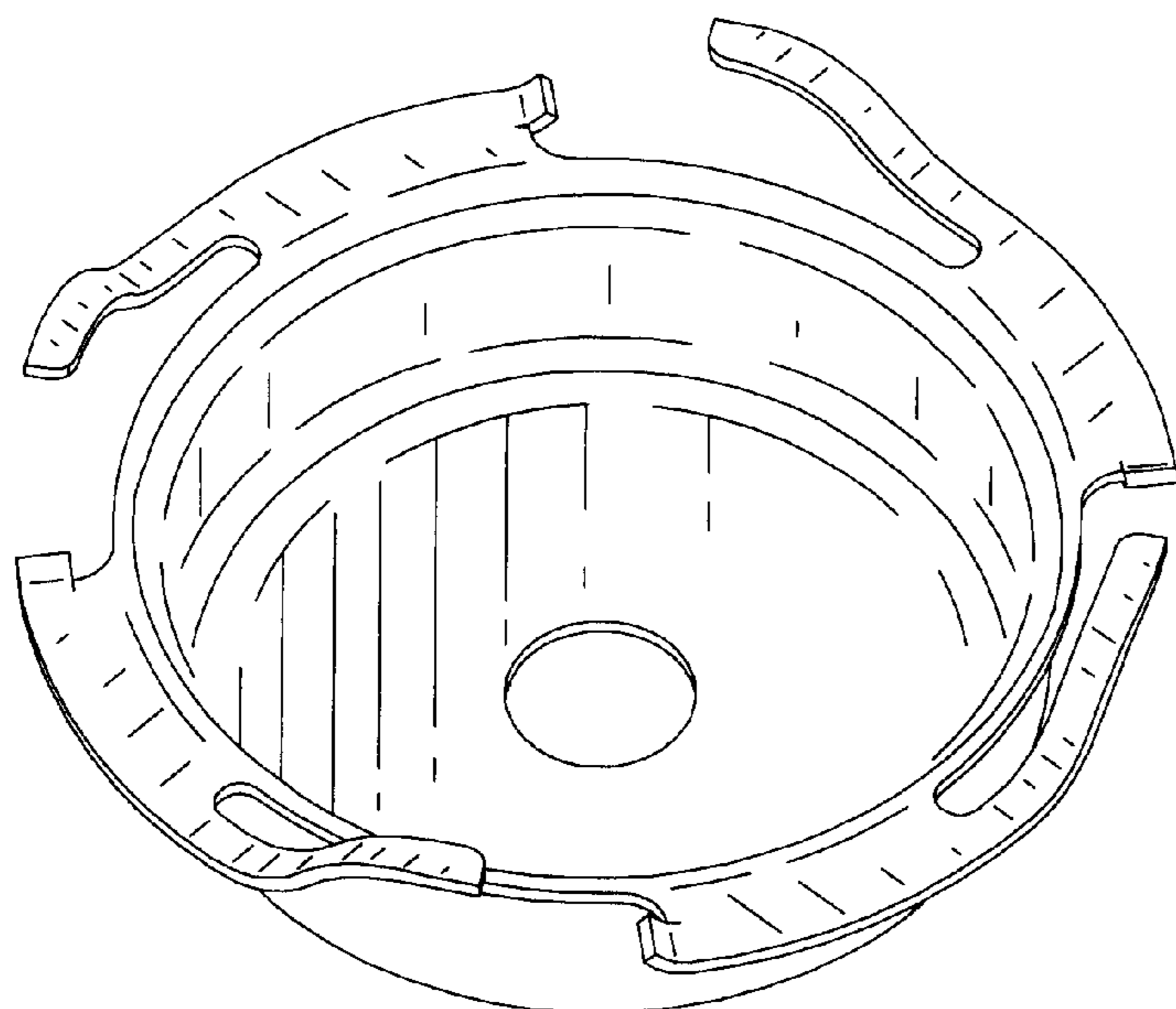
(57) **CLAIM**

The ornamental design for a microphone can shell, as shown and described.

**DESCRIPTION**

FIG. 1 is a perspective view of an microphone can shell showing a new design;  
FIG. 2 is a front elevation view thereof;  
FIG. 3 is a rear elevation view thereof;  
FIG. 4 is a left side elevation view thereof;  
FIG. 5 is a right side elevation view thereof;  
FIG. 6 is a top plan elevation view thereof; and,  
FIG. 7 is a bottom plan elevation view thereof.

**1 Claim, 7 Drawing Sheets**



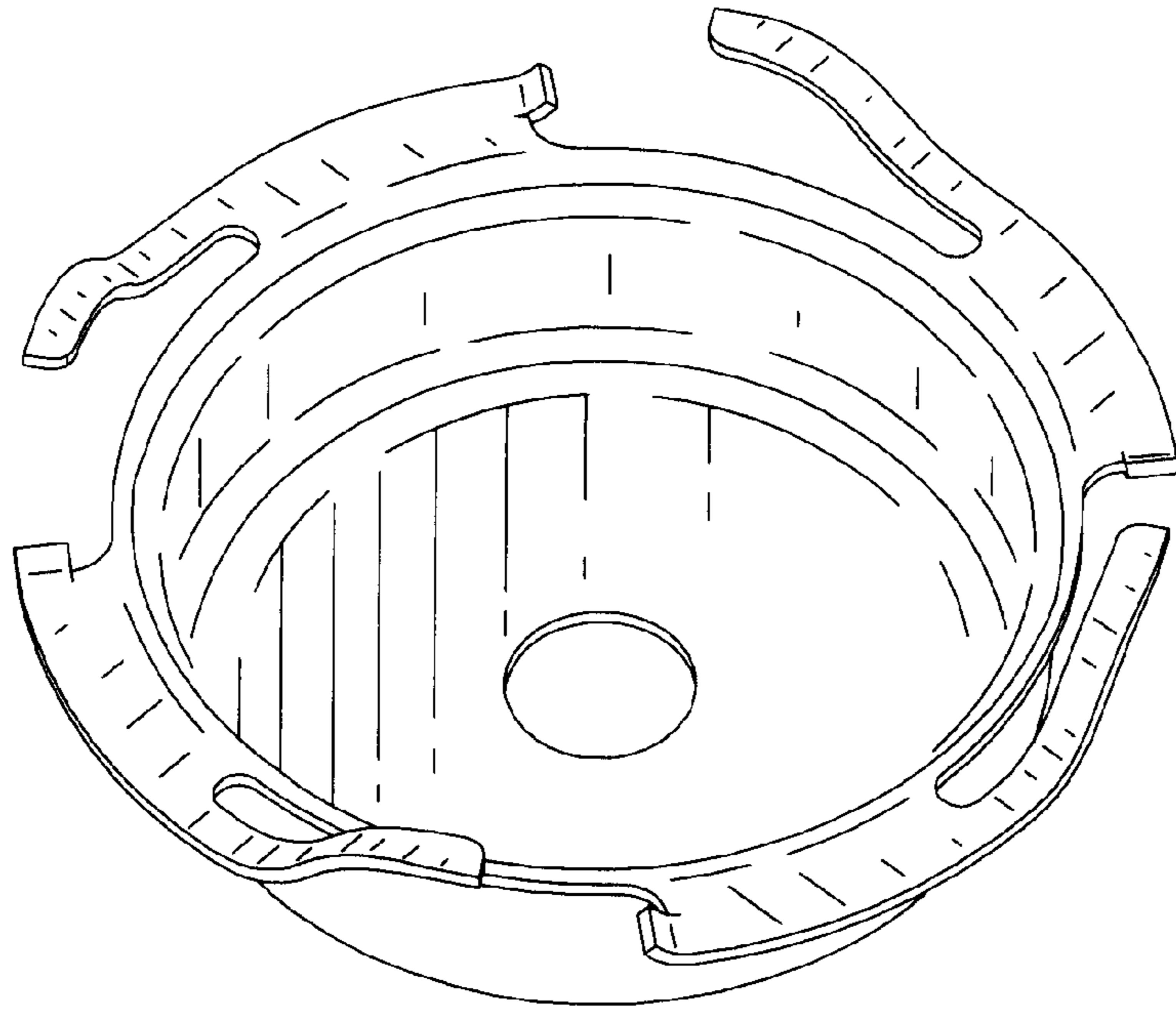


FIG. 1

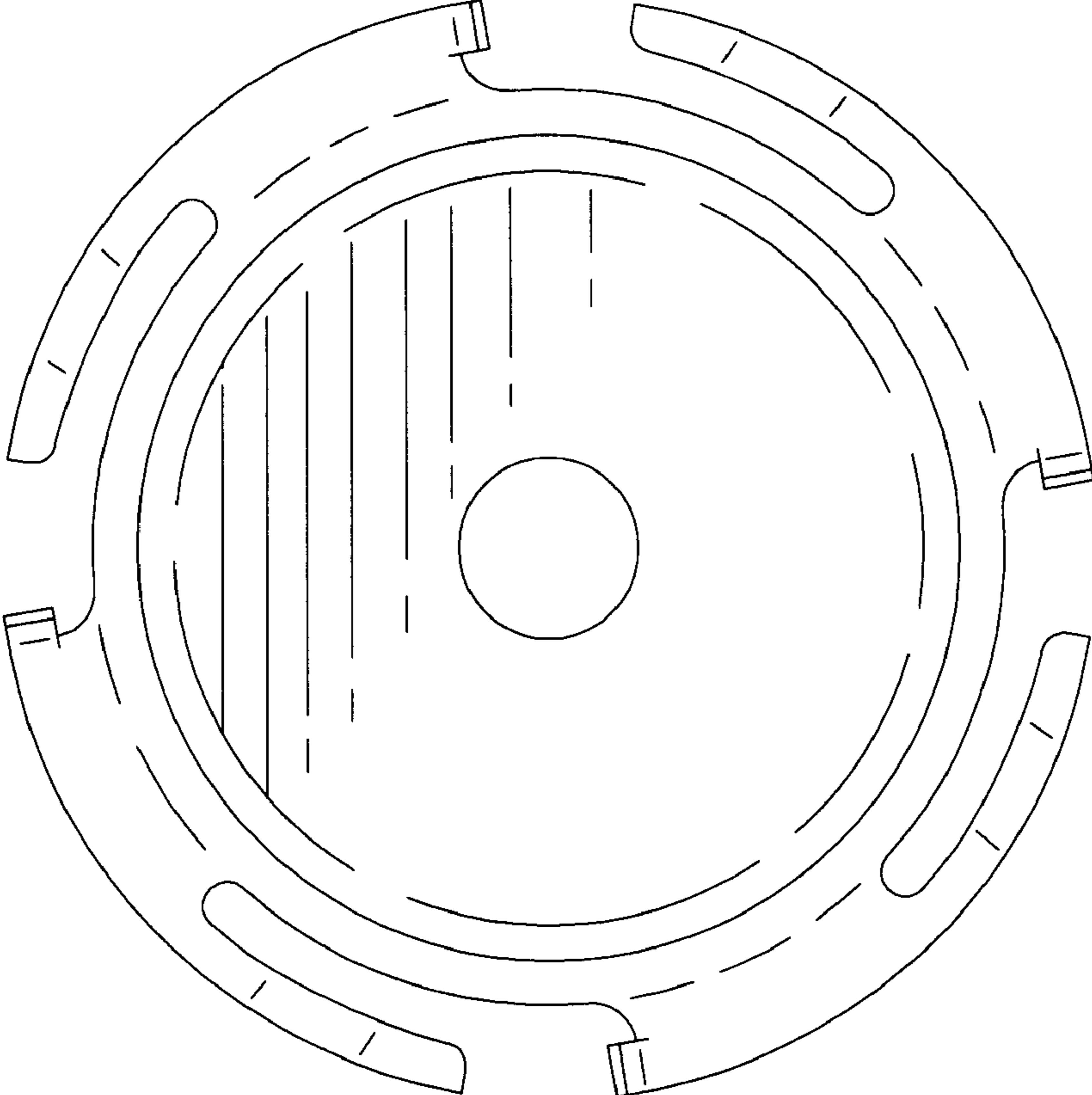


FIG. 2

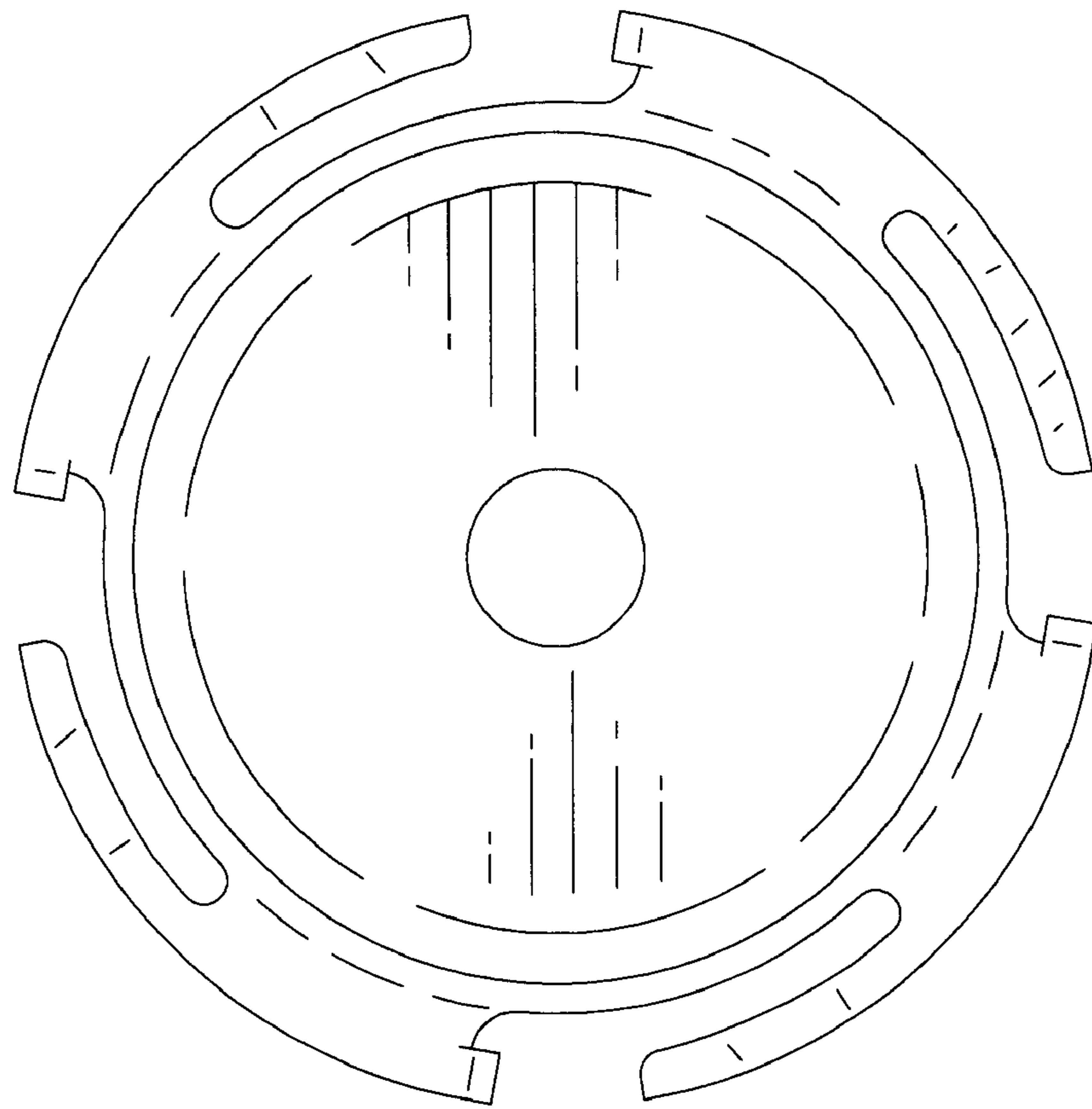


FIG. 3

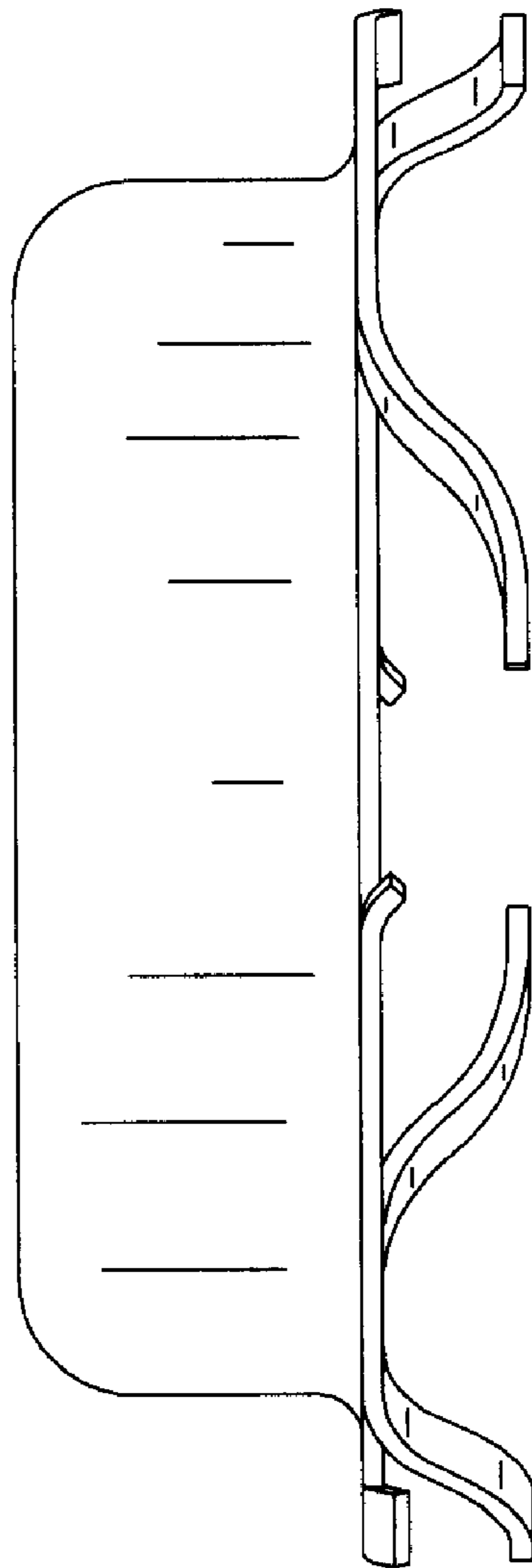


FIG. 4

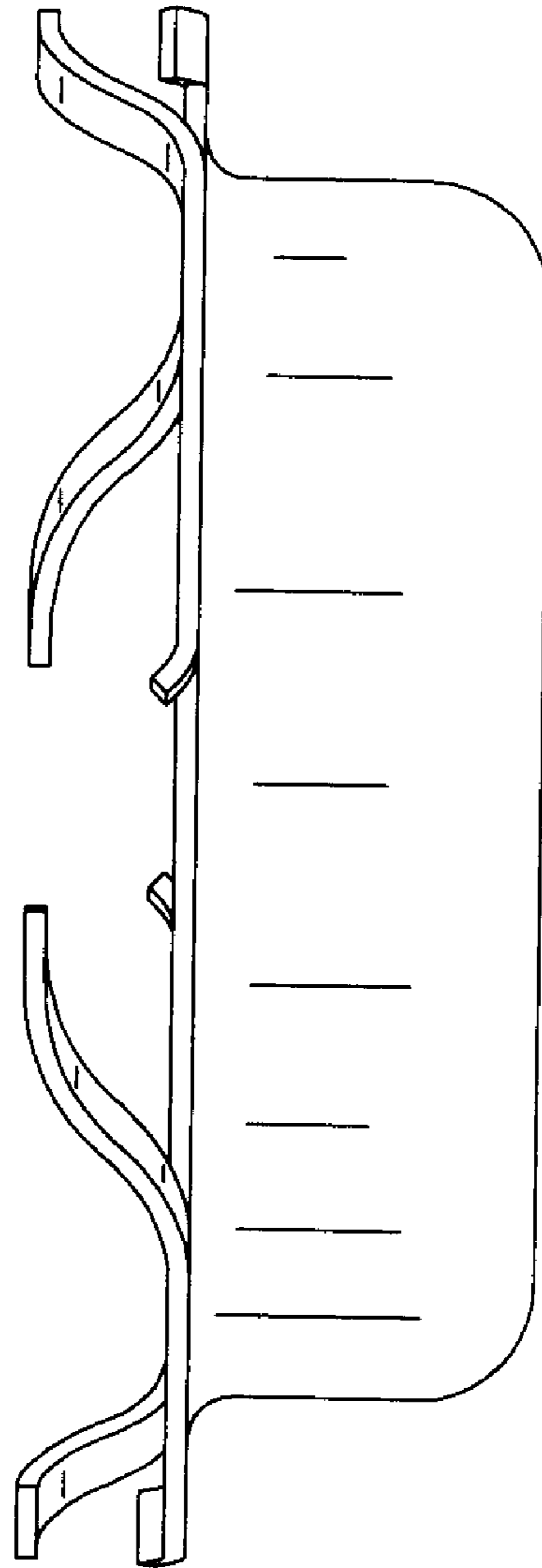


FIG. 5

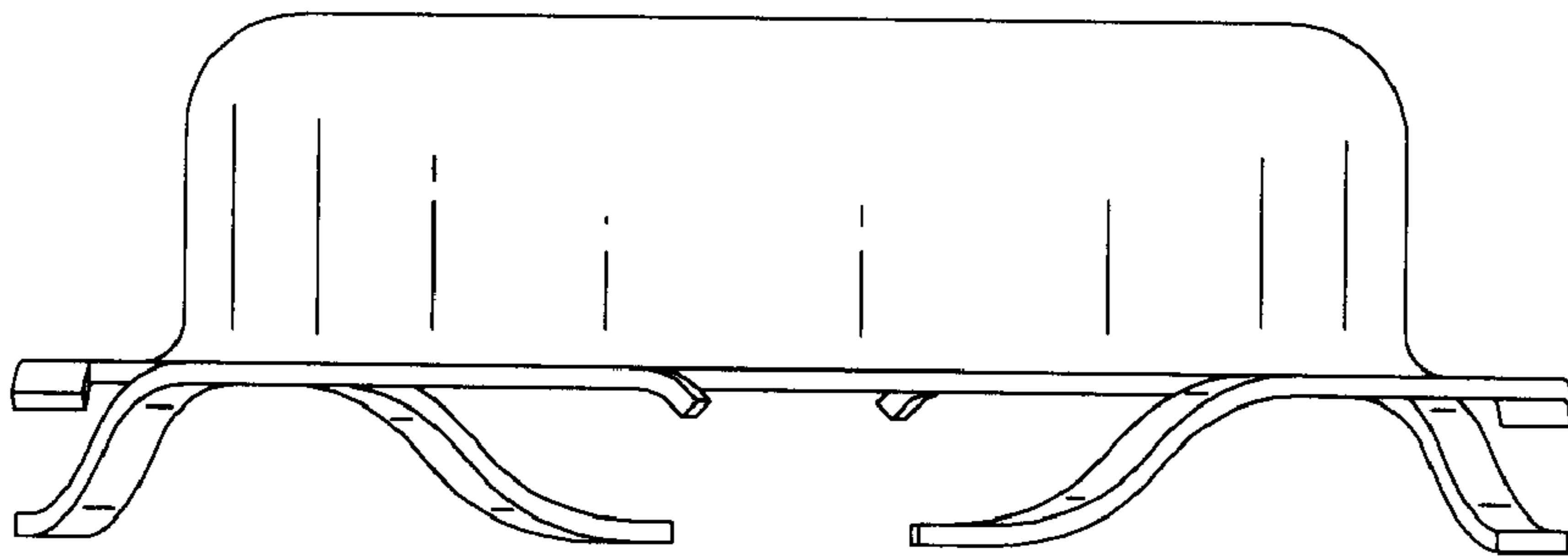


FIG. 6

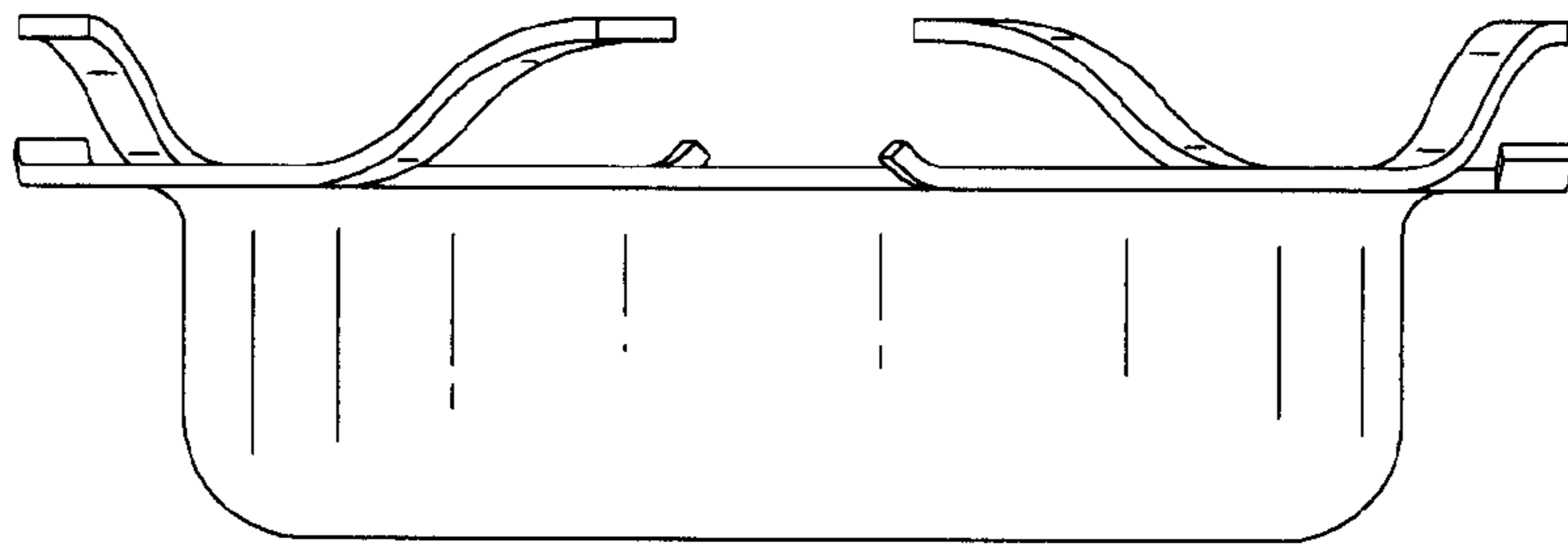


FIG. 7