



US00D539781S

(12) **United States Design Patent**
Yang

(10) **Patent No.:** **US D539,781 S**

(45) **Date of Patent:** **** Apr. 3, 2007**

(54) **SOUND RECORDING AND REPRODUCING APPARATUS**

(75) Inventor: **Deok-Joon Yang**, Seoul (KR)

(73) Assignee: **Reigncom Ltd.**, Seoul (KR)

(**) Term: **14 Years**

(21) Appl. No.: **29/234,971**

(22) Filed: **Jul. 25, 2005**

(30) **Foreign Application Priority Data**

Apr. 12, 2005 (KR) 30-2005-0012042

(51) **LOC (8) Cl.** **14-01**

(52) **U.S. Cl.** **D14/167**

(58) **Field of Classification Search** D14/167,
D14/154, 168, 188, 496, 156, 160, 161, 162,
D14/163, 164, 165, 192; D16/208; D26/38;
455/351, 350

See application file for complete search history.

(56) **References Cited**

U.S. PATENT DOCUMENTS

D294,065 S * 2/1988 Wan D26/38
D329,862 S * 9/1992 Watanabe et al. D16/208
D365,164 S * 12/1995 Yuen D26/48
D473,207 S * 4/2003 Tanio D14/168
D491,911 S * 6/2004 Jung D14/156

D491,914 S * 6/2004 Lee D14/188

D508,906 S * 8/2005 Tajima D14/167

D509,817 S * 9/2005 Gong D14/155

D512,403 S * 12/2005 Yang D14/156

D512,404 S * 12/2005 Yang D14/156

* cited by examiner

Primary Examiner—Cathron C. Brooks

Assistant Examiner—Austin Murphy

(74) *Attorney, Agent, or Firm*—Lee, Hong, Degerman,
Kang & Schmadeka

(57) **CLAIM**

The ornamental design for a sound recording and reproducing apparatus, as shown and described.

DESCRIPTION

FIG. 1 is a front perspective view of a sound recording and reproducing apparatus thereof;

FIG. 2 is a front elevational view thereof;

FIG. 3 is a rear elevational view thereof;

FIG. 4 is a left side elevational view thereof;

FIG. 5 is a right side elevational view thereof;

FIG. 6 is a top plan view thereof;

FIG. 7 is a bottom plan view thereof; and,

FIG. 8 is a front perspective view of a second embodiment of the sound recording and reproducing apparatus shown with an attached lanyard.

1 Claim, 8 Drawing Sheets

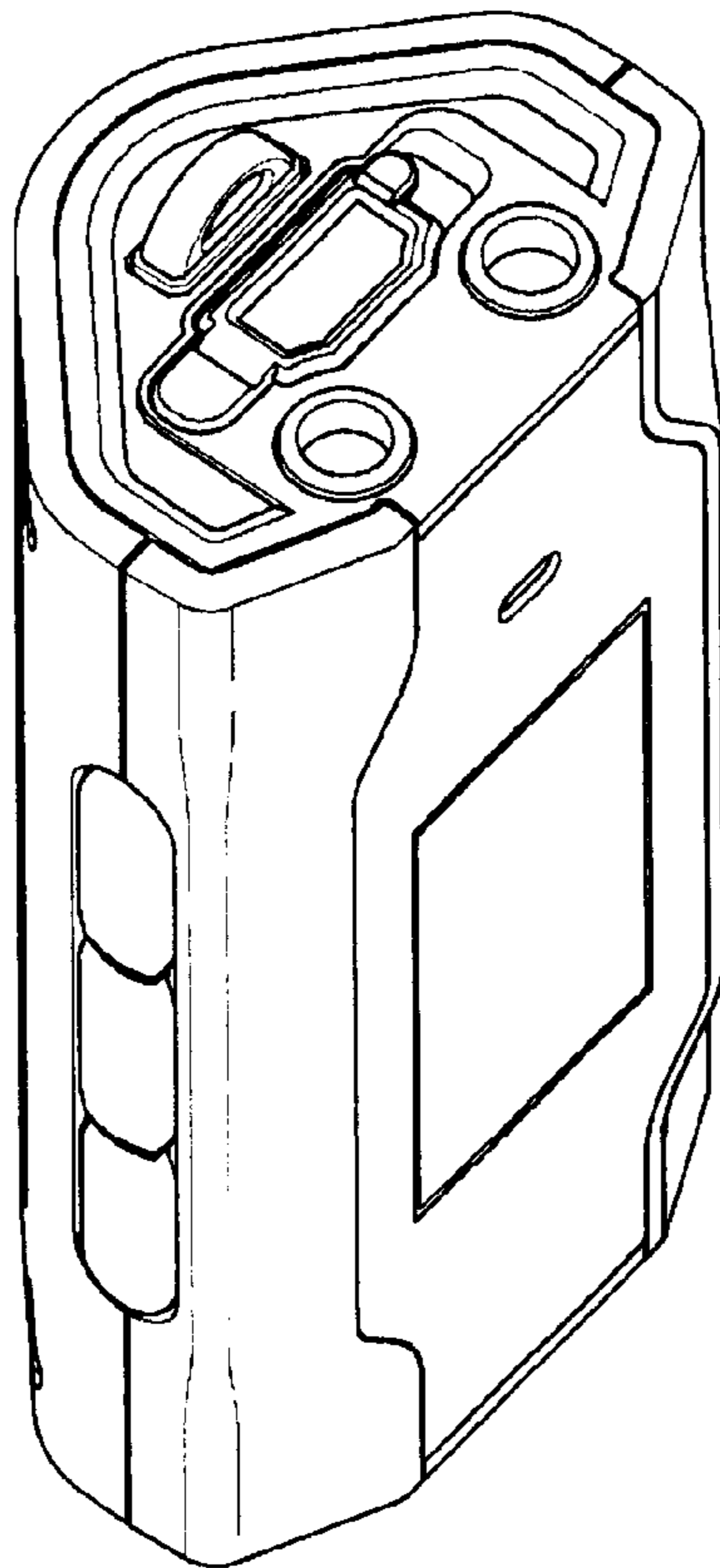


FIG. 1

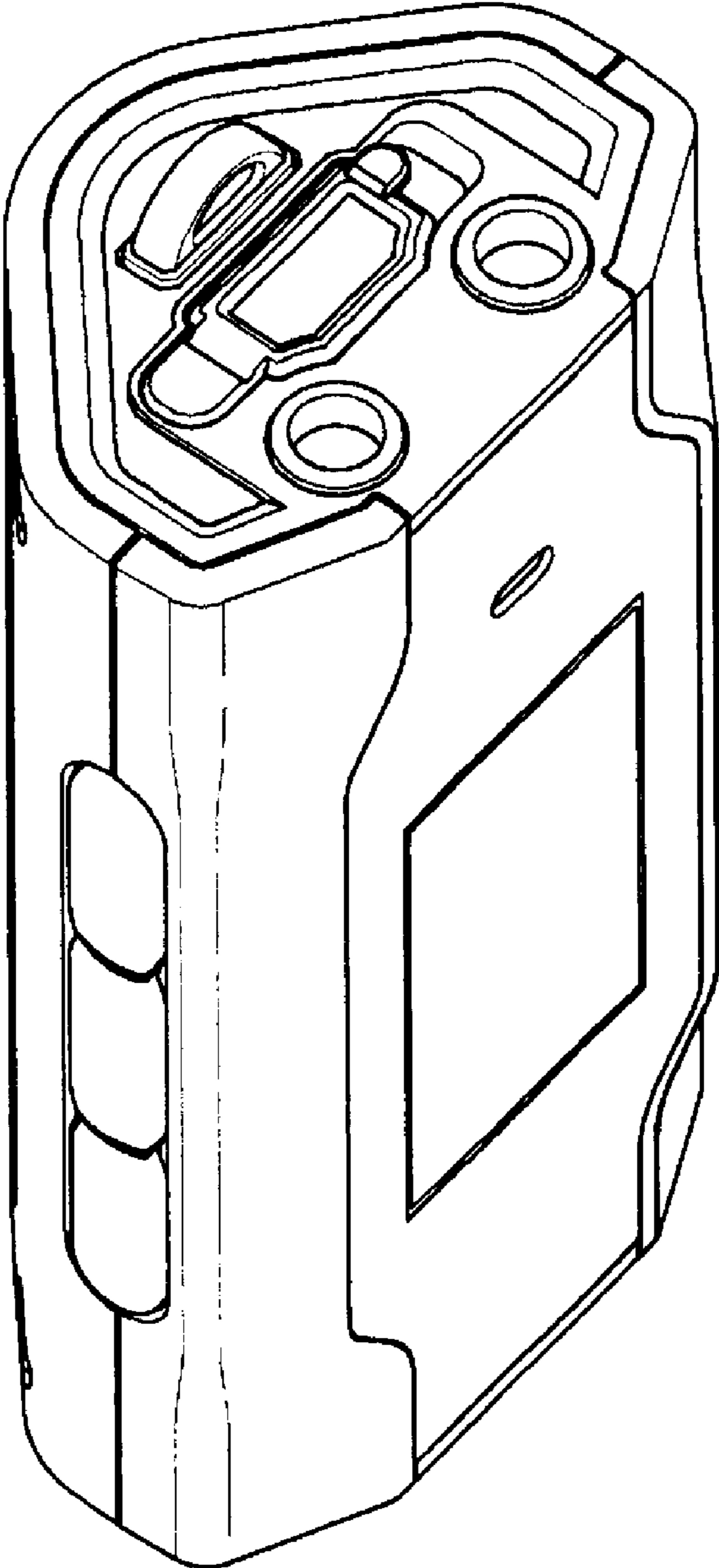


FIG. 2

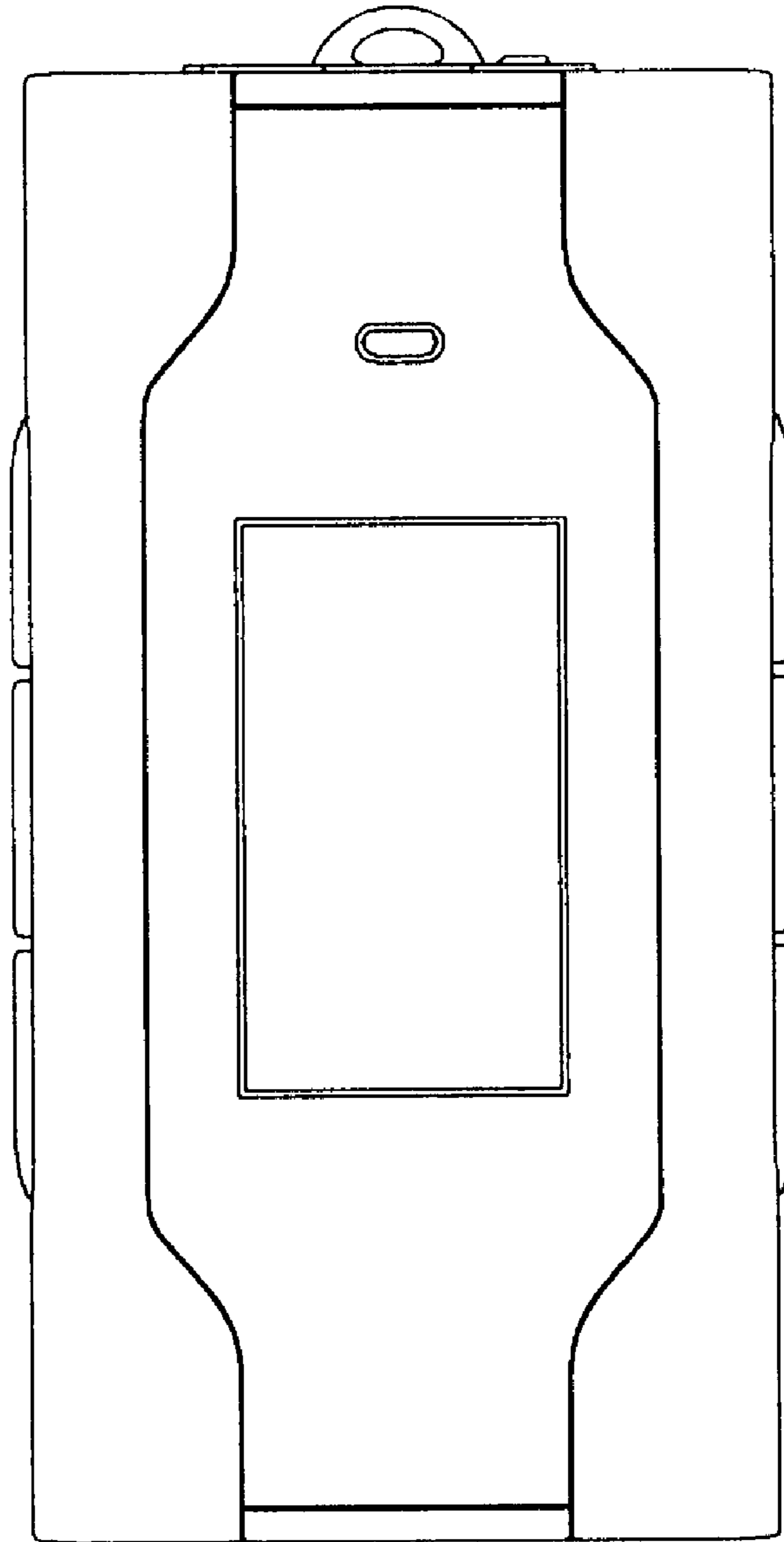


FIG. 3

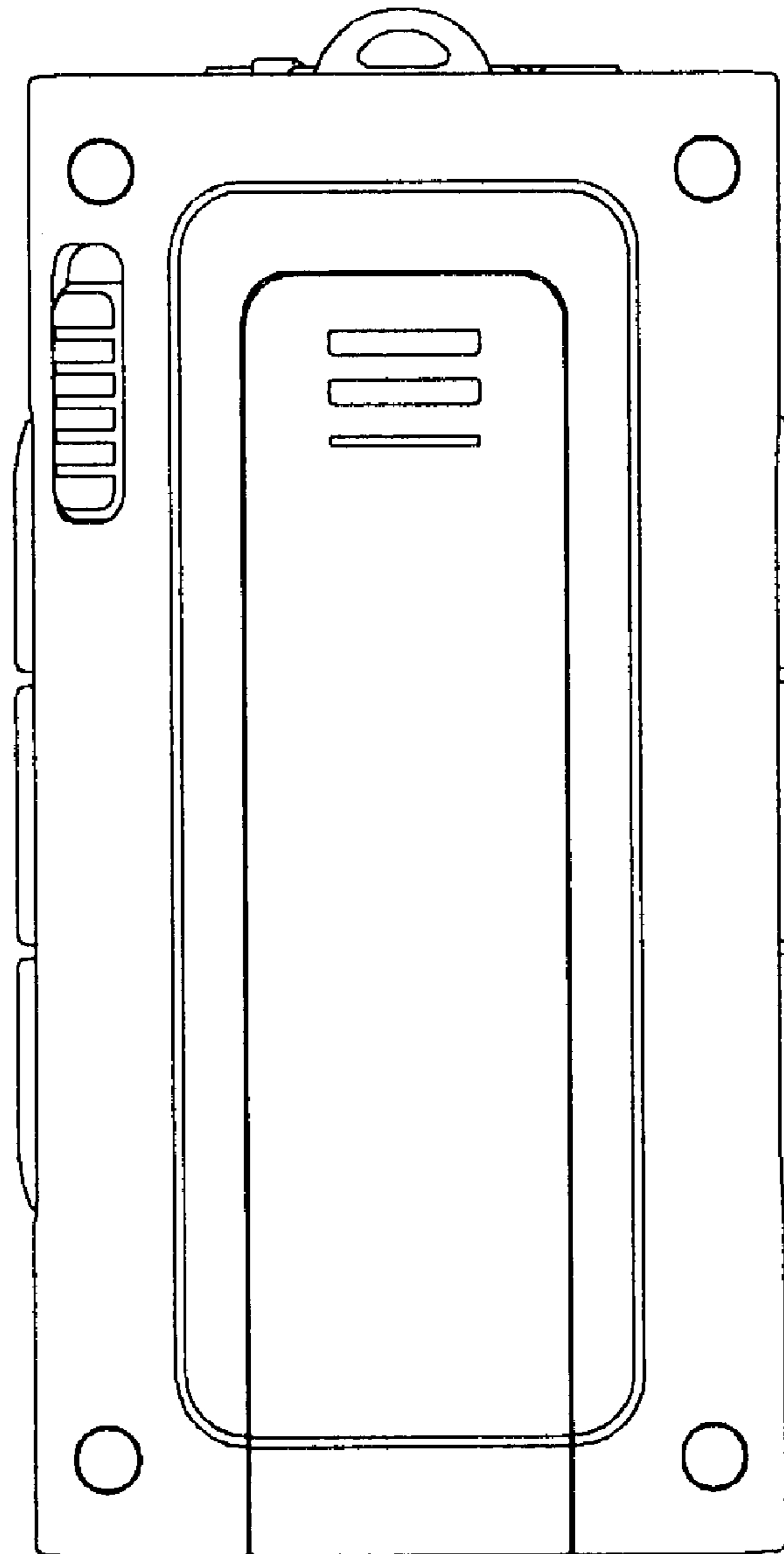


FIG. 4

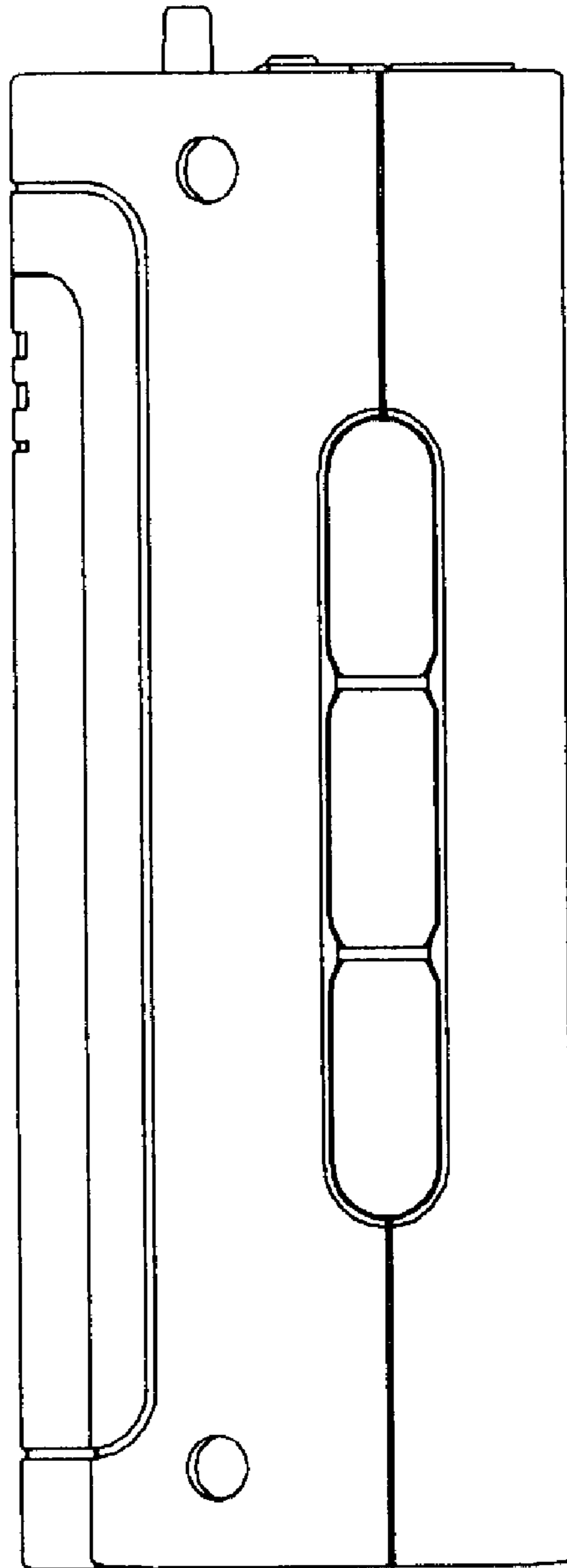


FIG. 5

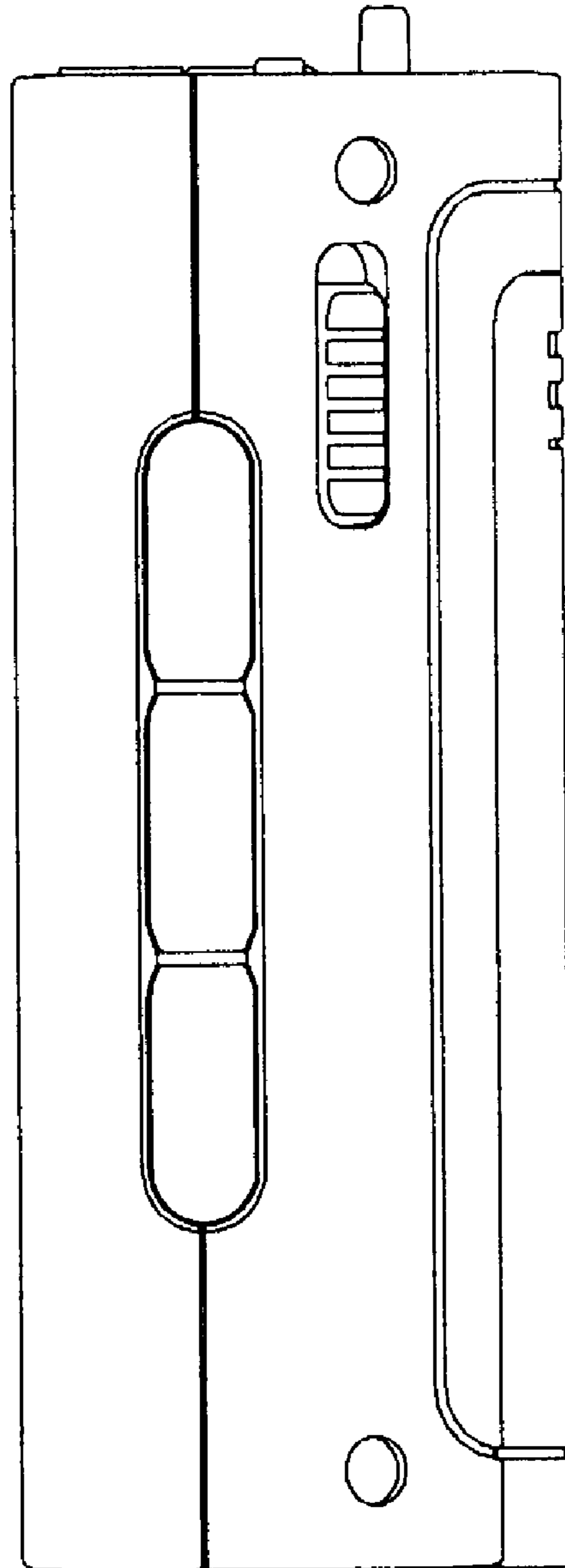


FIG. 6

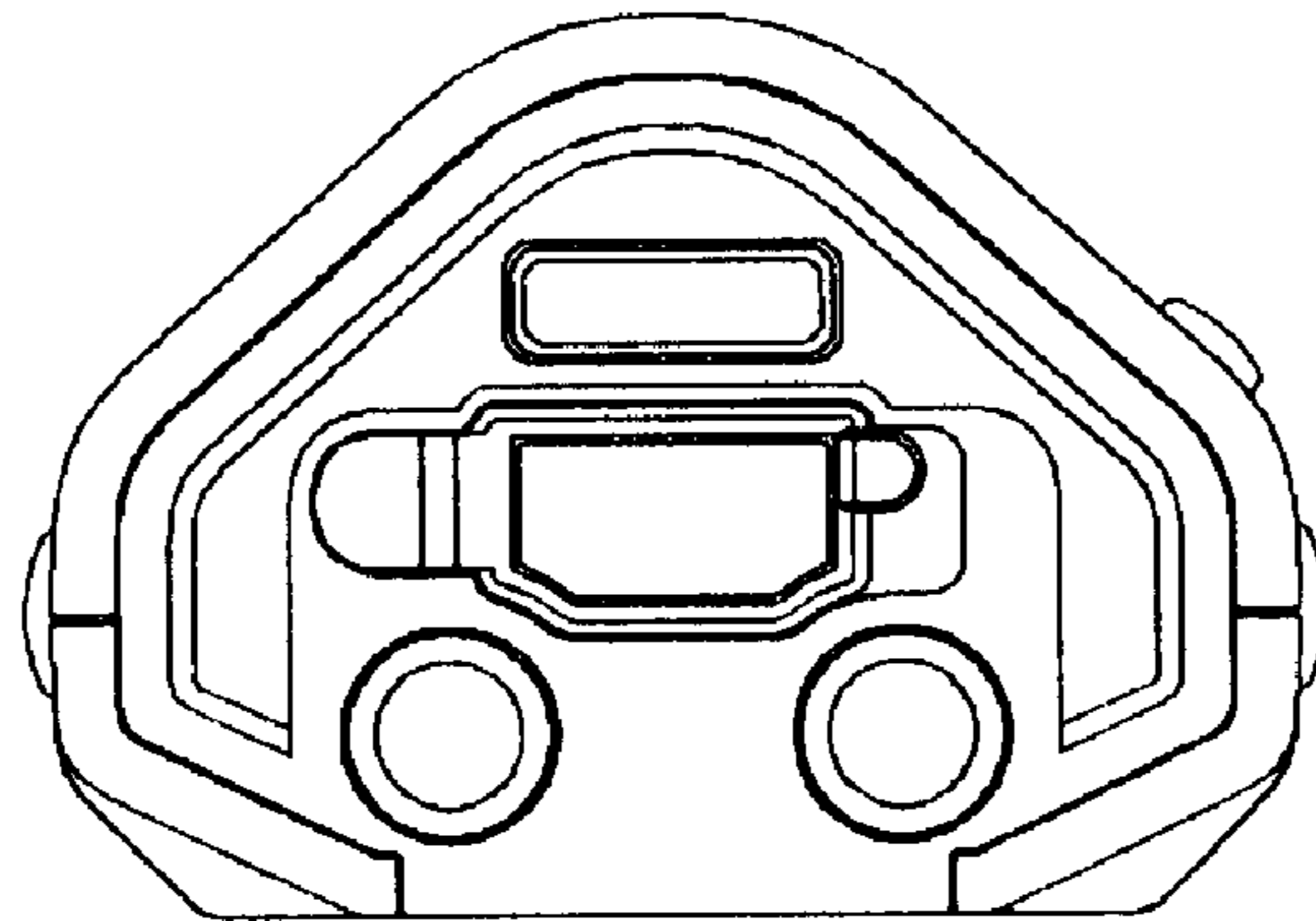


FIG. 7

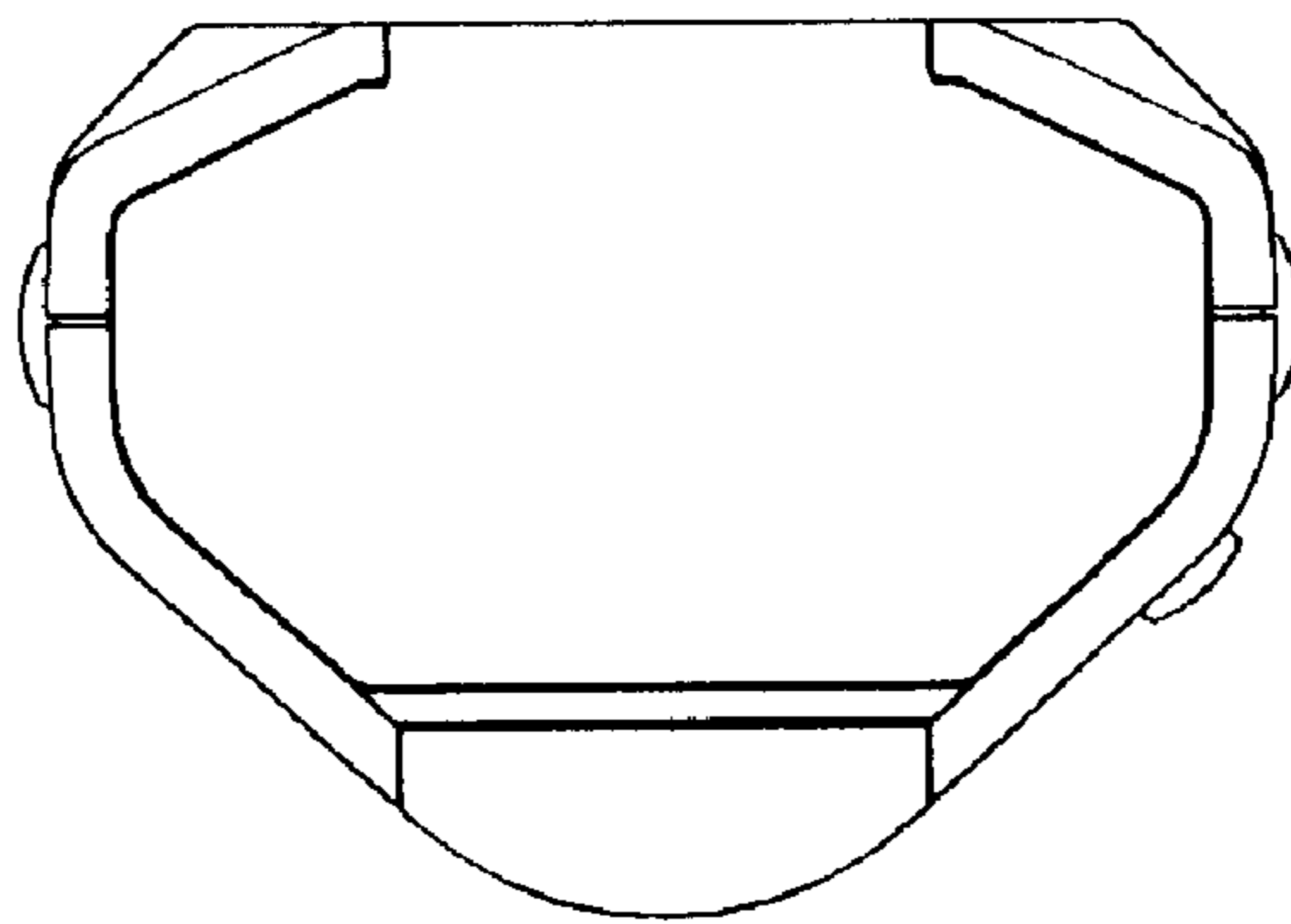


FIG. 8

