



US00D539777S

(12) **United States Design Patent**
Pena Angarita

(10) **Patent No.:** **US D539,777 S**

(45) **Date of Patent:** **** Apr. 3, 2007**

(54) **MOBILE PHONE**

(75) Inventor: **Oscar Enrique Pena Angarita**, London (GB)

(73) Assignee: **Koninklijke Philips Electronics N.V.**, Eindhoven (NL)

(**) Term: **14 Years**

(21) Appl. No.: **29/255,454**

(22) Filed: **Mar. 8, 2006**

(30) **Foreign Application Priority Data**

Sep. 12, 2005 (EM) 000399100-0002

(51) **LOC (8) Cl.** **14-03**

(52) **U.S. Cl.** **D14/138**

(58) **Field of Classification Search** D14/137-138, D14/143, 144, 147-148, 218, 339, 247-248, D14/341-347; D21/517; 379/433.01-433.13, 379/434; 455/575.1, 566, 556.1, 550.1-90.3; D10/104, 106; D13/168; D18/7
See application file for complete search history.

(56) **References Cited**

U.S. PATENT DOCUMENTS

D238,368 S * 1/1976 Goldsamdt D18/7

D280,403 S	*	9/1985	Mitchell	D14/147
D283,126 S	*	3/1986	Marshall	D14/147
D309,302 S	*	7/1990	Dickson	D14/138
D327,064 S	*	6/1992	Ditzig et al.	D14/148
D330,023 S	*	10/1992	Kikuchi et al.	D14/138
D335,653 S	*	5/1993	Rak	D14/339
D362,252 S	*	9/1995	Ansell et al.	D14/144
5,923,752 A	*	7/1999	McBride et al.	379/433.11
D527,720 S	*	9/2006	Huang	D14/147

* cited by examiner

Primary Examiner—Alan Douglas
Assistant Examiner—Carla Jobe Wright

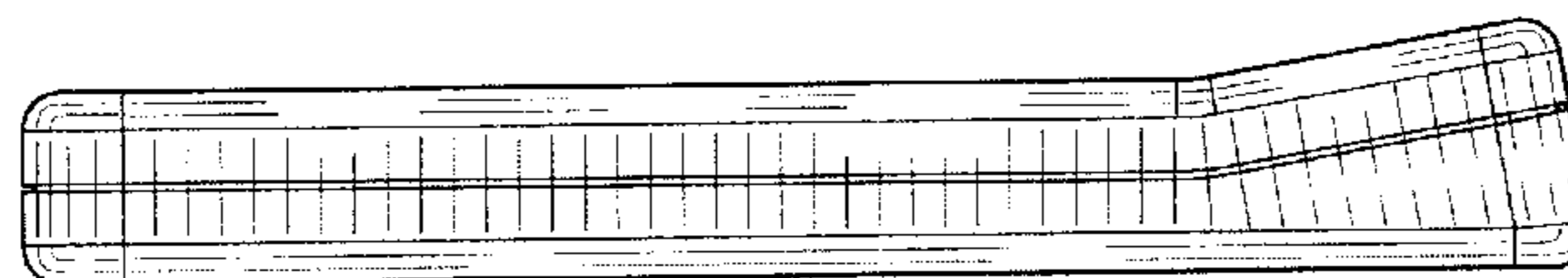
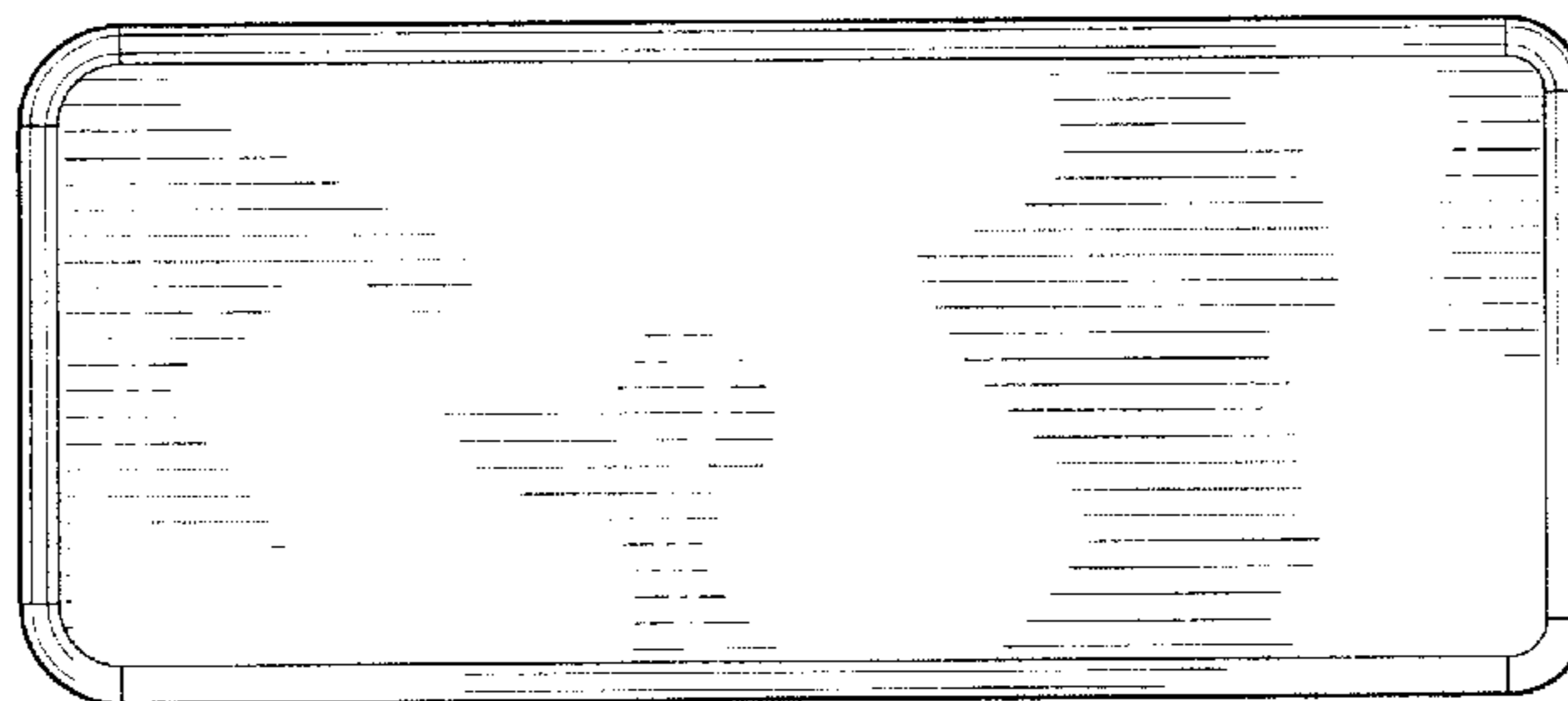
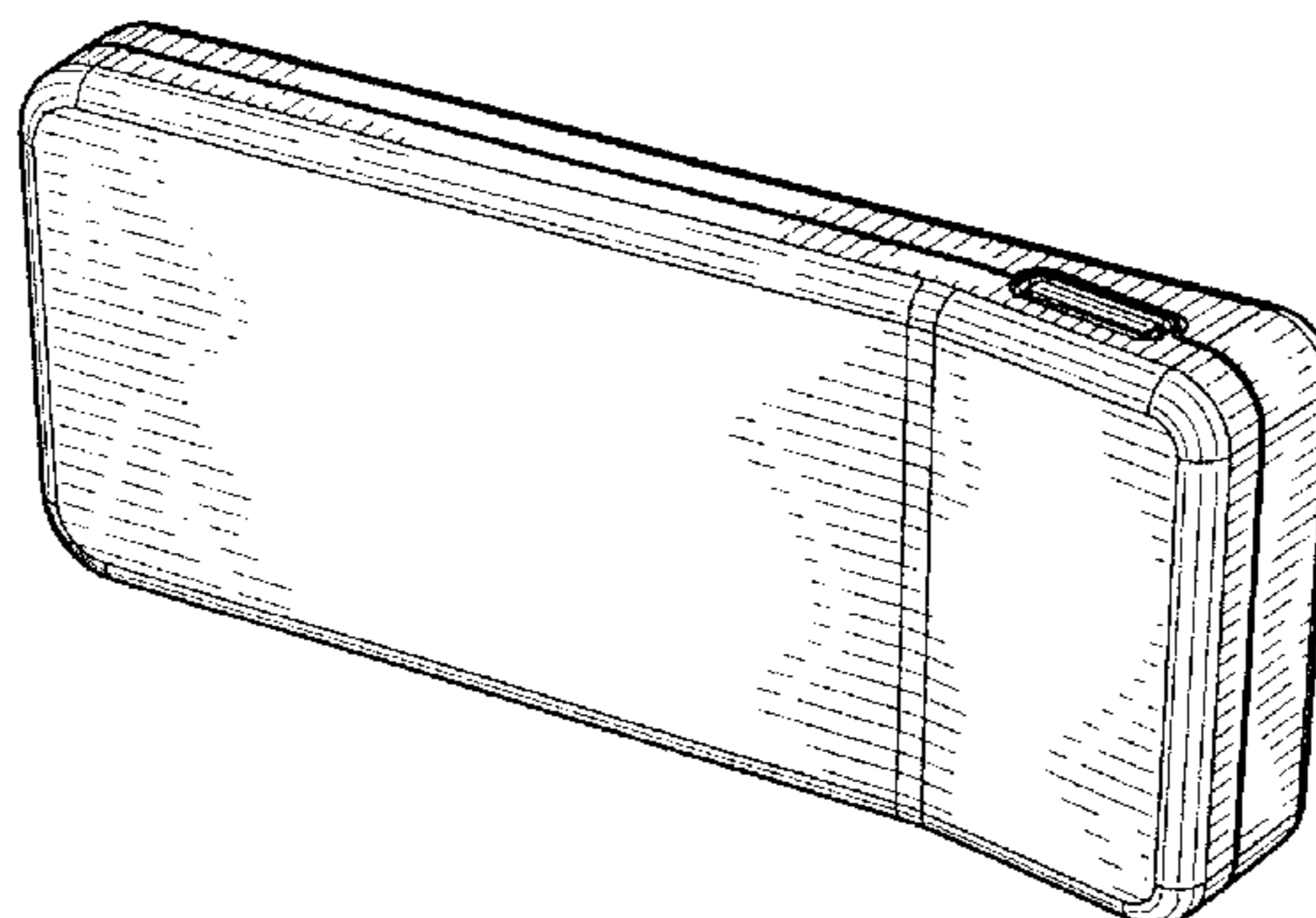
(57) **CLAIM**

The ornamental design for a mobile phone, as shown.

DESCRIPTION

FIG. 1 is a perspective view showing my design; FIG. 2 is a front elevational view thereof; FIG. 3 is a rear elevational view thereof; FIG. 4 is a right side elevational view thereof; FIG. 5 is a left side elevational view thereof; FIG. 6 is a top plan view thereof; and, FIG. 7 is a bottom plan view thereof.

1 Claim, 3 Drawing Sheets



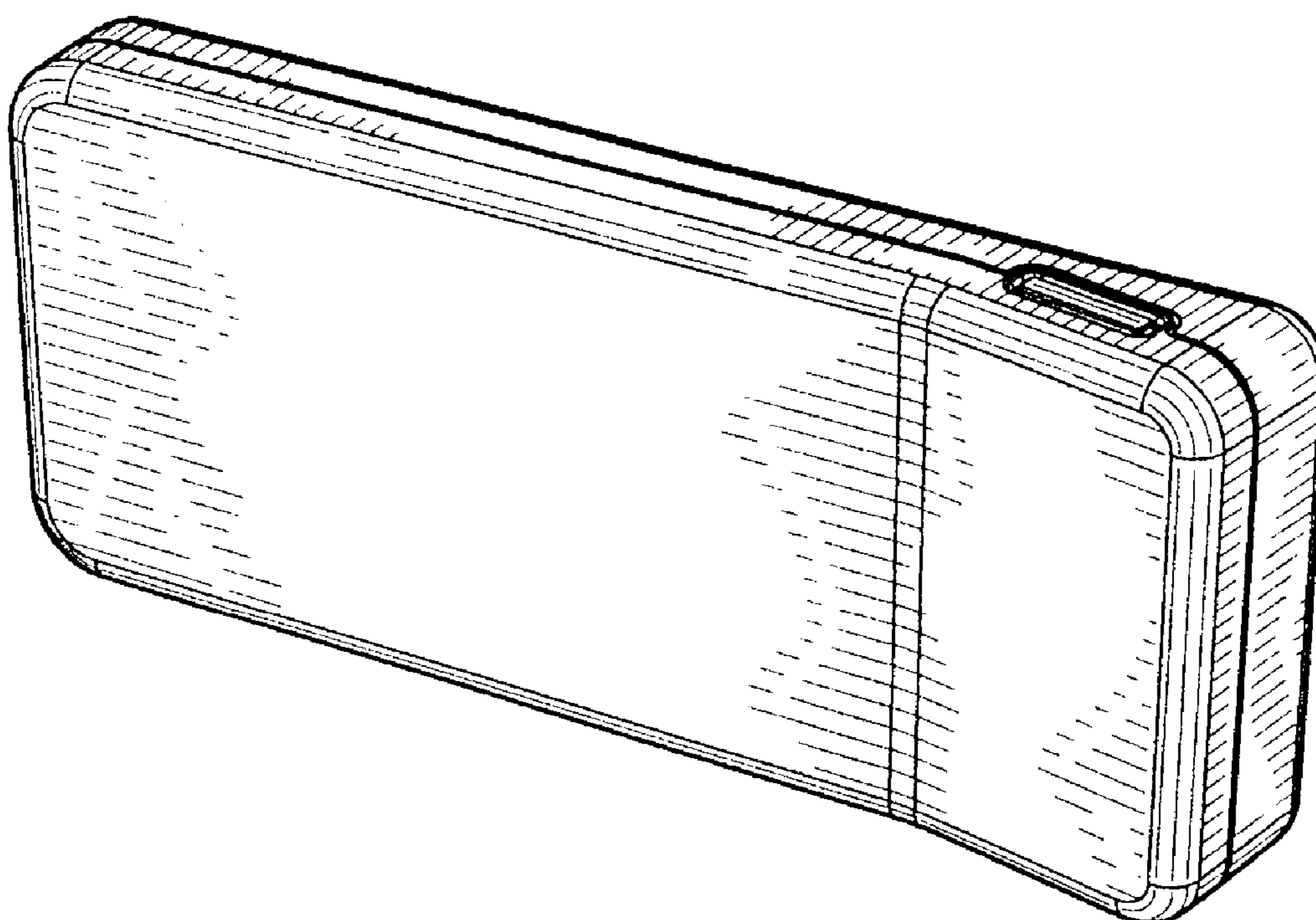


FIG. 1

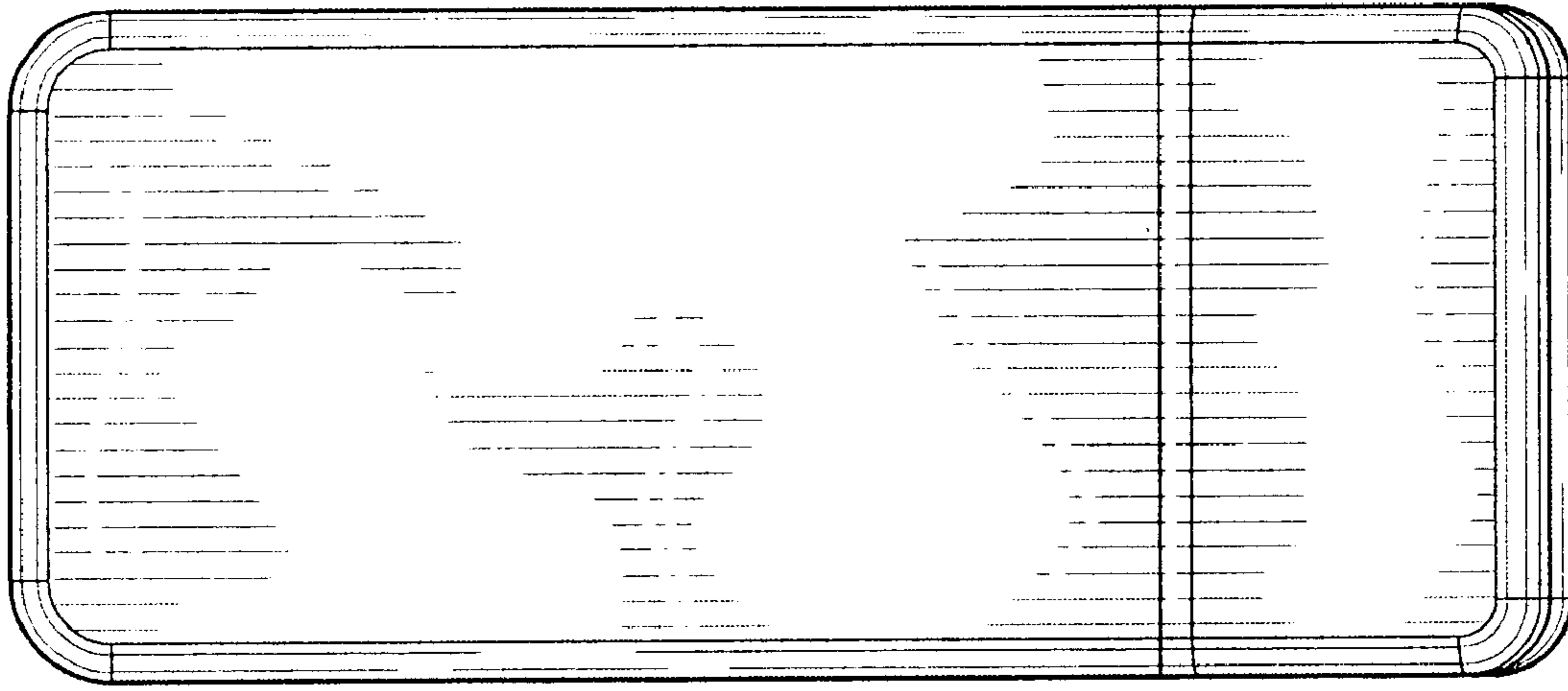


FIG. 2

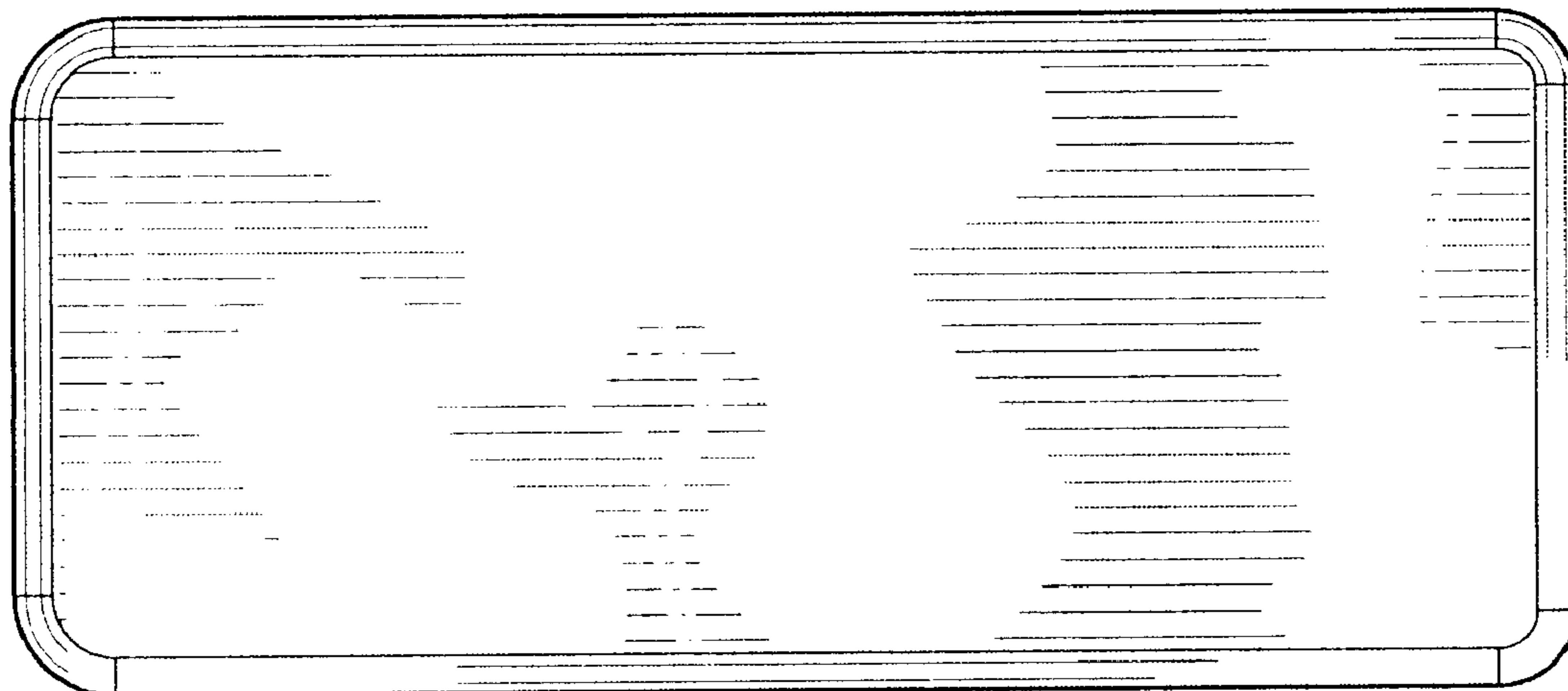


FIG. 3

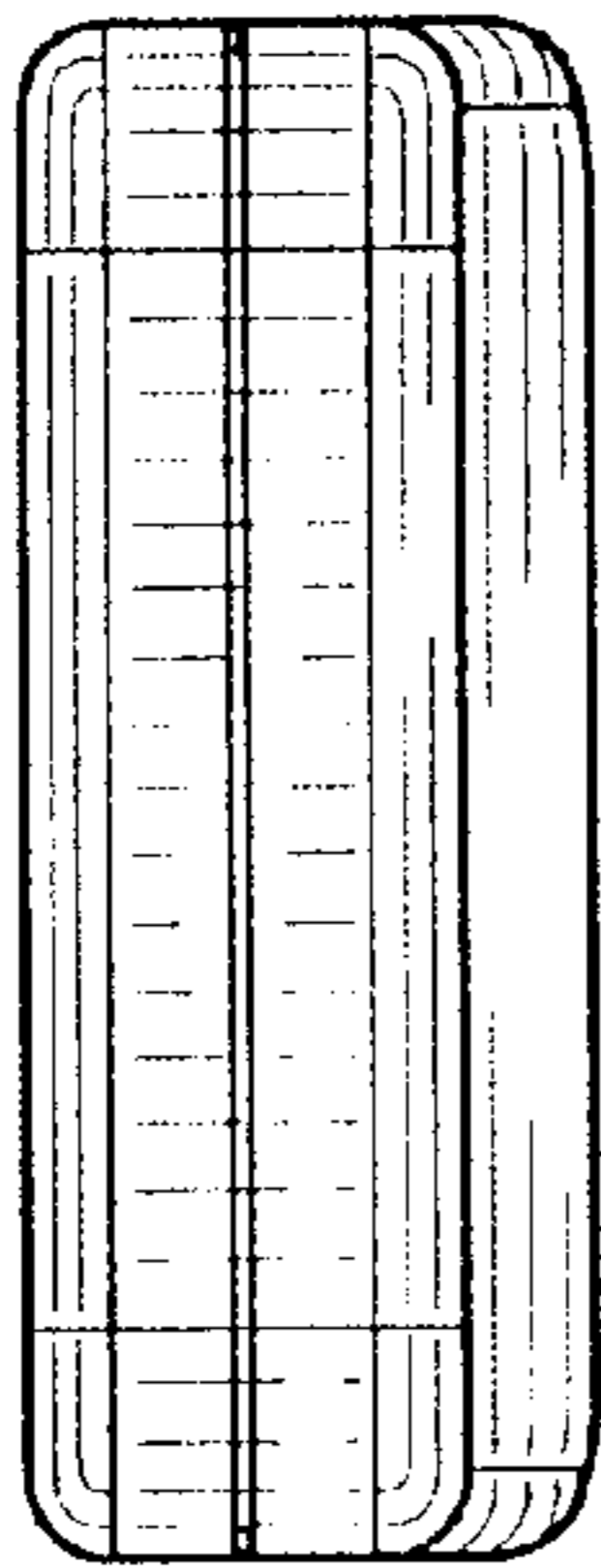


FIG. 4

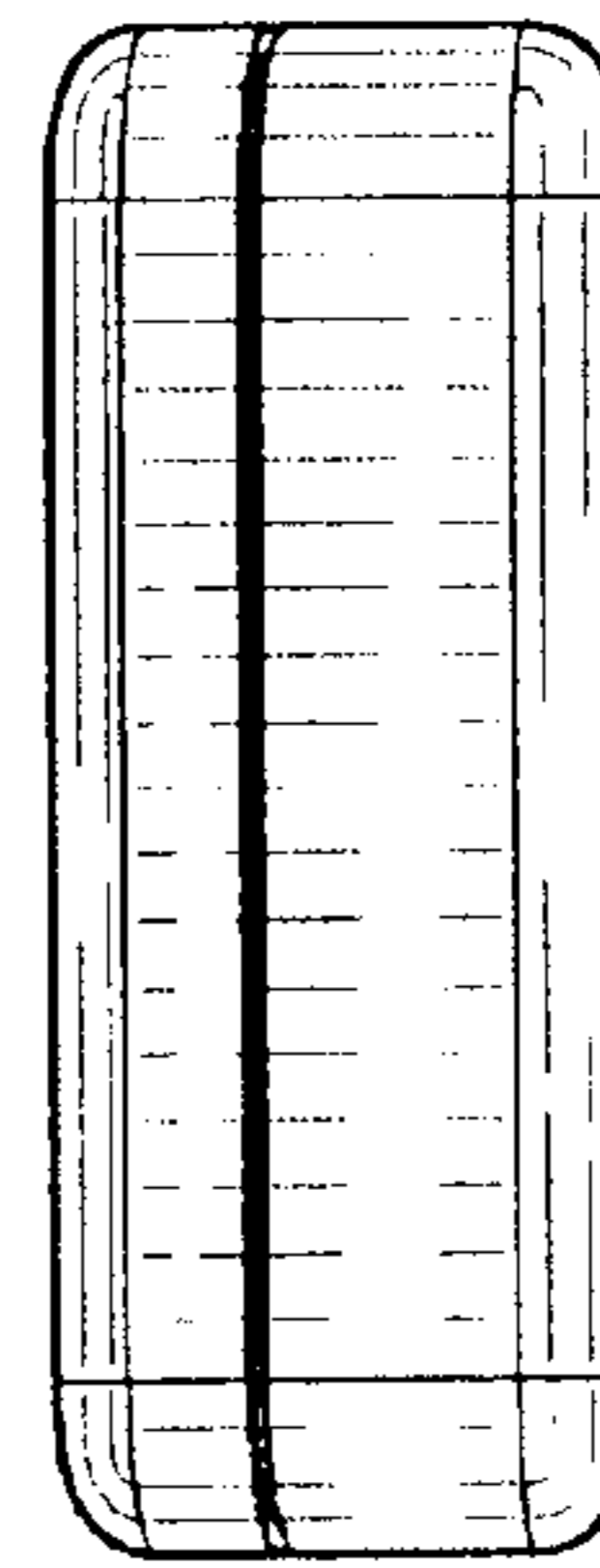


FIG. 5

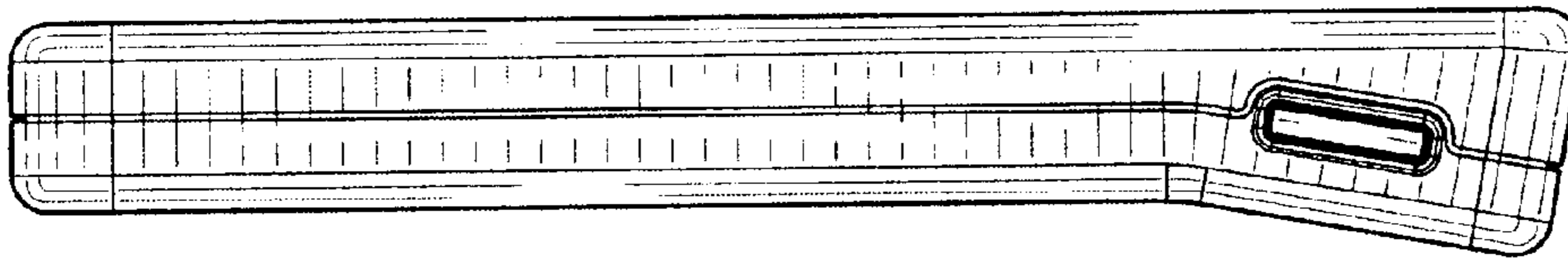


FIG. 6

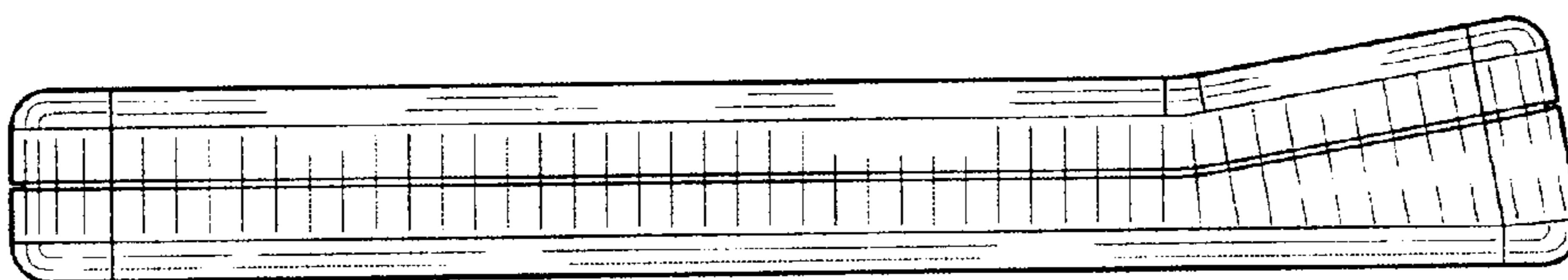


FIG. 7