

US00D539768S

(12) **United States Design Patent**
Vitito

(10) **Patent No.:** **US D539,768 S**

(45) **Date of Patent:** **** Apr. 3, 2007**

(54) **OVERHEAD ENTERTAINMENT CONSOLE**

(76) **Inventor:** **Christopher J. Vitito**, 514
Longmeadow St., Celebration, FL (US)
34747

(**) **Term:** **14 Years**

(21) **Appl. No.:** **29/239,730**

(22) **Filed:** **Oct. 5, 2005**

(51) **LOC (8) Cl.** **14-03**

(52) **U.S. Cl.** **D14/132**

(58) **Field of Classification Search** D14/125,
D14/129, 132, 136, 156, 374, 375; 348/180,
348/184, 325, 838; 341/12; 345/104, 133,
345/156, 168, 173, 87; 720/605, 669, 600,
720/655; 369/99, 197; 455/344, 345, 346,
455/347, 566; 368/12; D12/421, 415
See application file for complete search history.

(56) **References Cited**

U.S. PATENT DOCUMENTS

5,946,055	A	*	8/1999	Rosen	348/837
D413,856	S	*	9/1999	Scribner	D12/418
D451,895	S	*	12/2001	Lavelle et al.	D14/132
D453,325	S	*	2/2002	Okada et al.	D14/132
6,409,242	B1		6/2002	Chang		
D467,234	S	*	12/2002	Scribner	D14/132

D467,562	S	*	12/2002	Chang	D14/132
D468,711	S	*	1/2003	Chang	D14/129
D469,068	S	*	1/2003	Furusawa	D14/132
D470,828	S		2/2003	Solland		
6,633,347	B2		10/2003	Kitazawa		
D510,329	S	*	10/2005	Vitito	D14/132
D512,973	S	*	12/2005	Schedivy	D14/132
D516,529	S	*	3/2006	Ko et al.	D14/132
2002/0149708	A1		10/2002	Nagata et al.		

* cited by examiner

Primary Examiner—Philip S. Hyder

(74) *Attorney, Agent, or Firm*—Welsh & Flaxman LLC

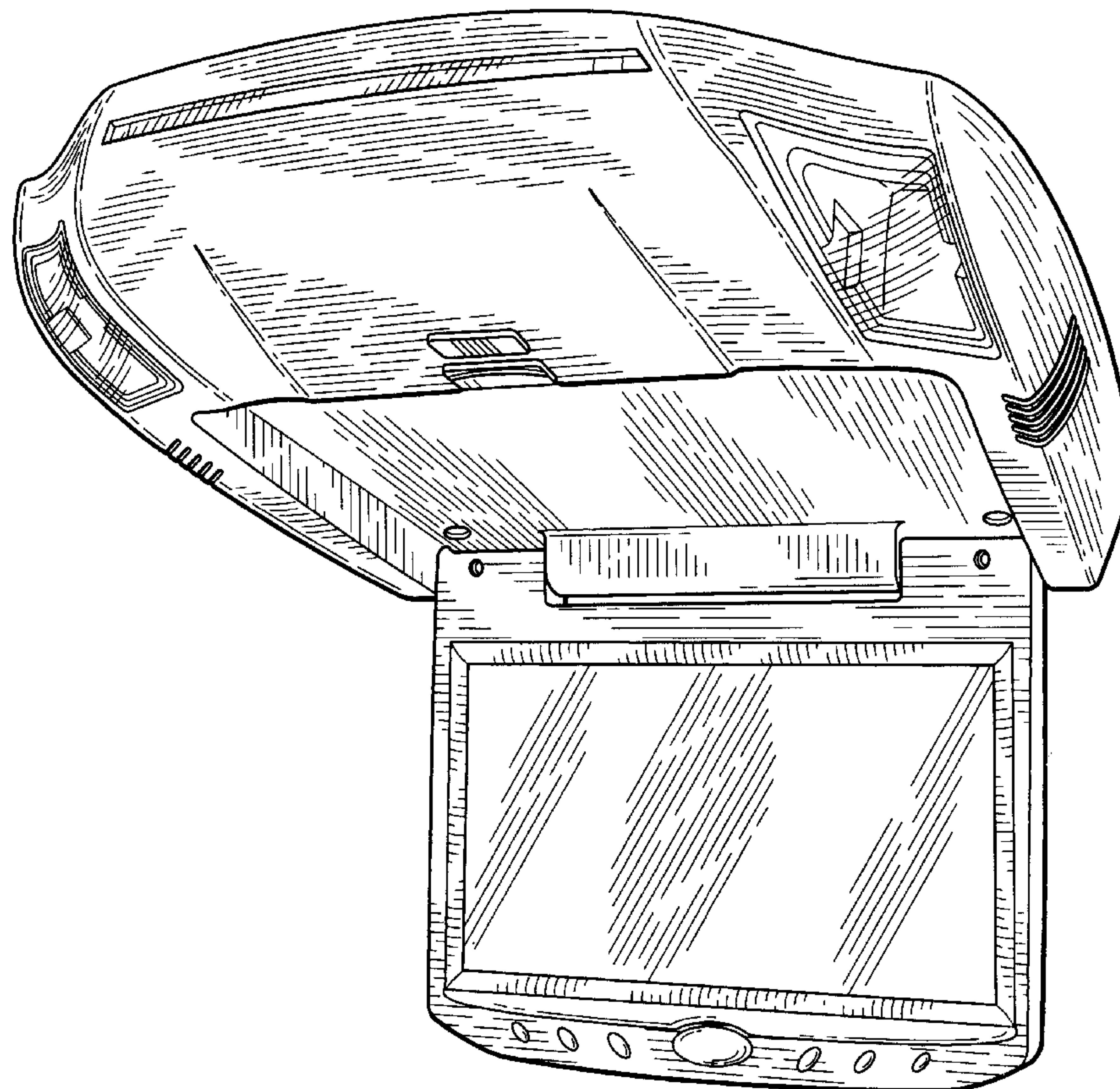
(57) **CLAIM**

The ornamental design for a overhead entertainment console, as shown and described.

DESCRIPTION

FIG. 1 is a perspective view of an overhead entertainment console showing my new design with the monitor open.
FIG. 2 is a perspective view with the monitor closed.
FIG. 3 is a front perspective view thereof.
FIG. 4 is a rear perspective view thereof.
FIG. 5 is a side perspective view; the opposite side perspective view being a mirror image; and,
FIG. 6 is a plan view with the monitor closed.

1 Claim, 4 Drawing Sheets



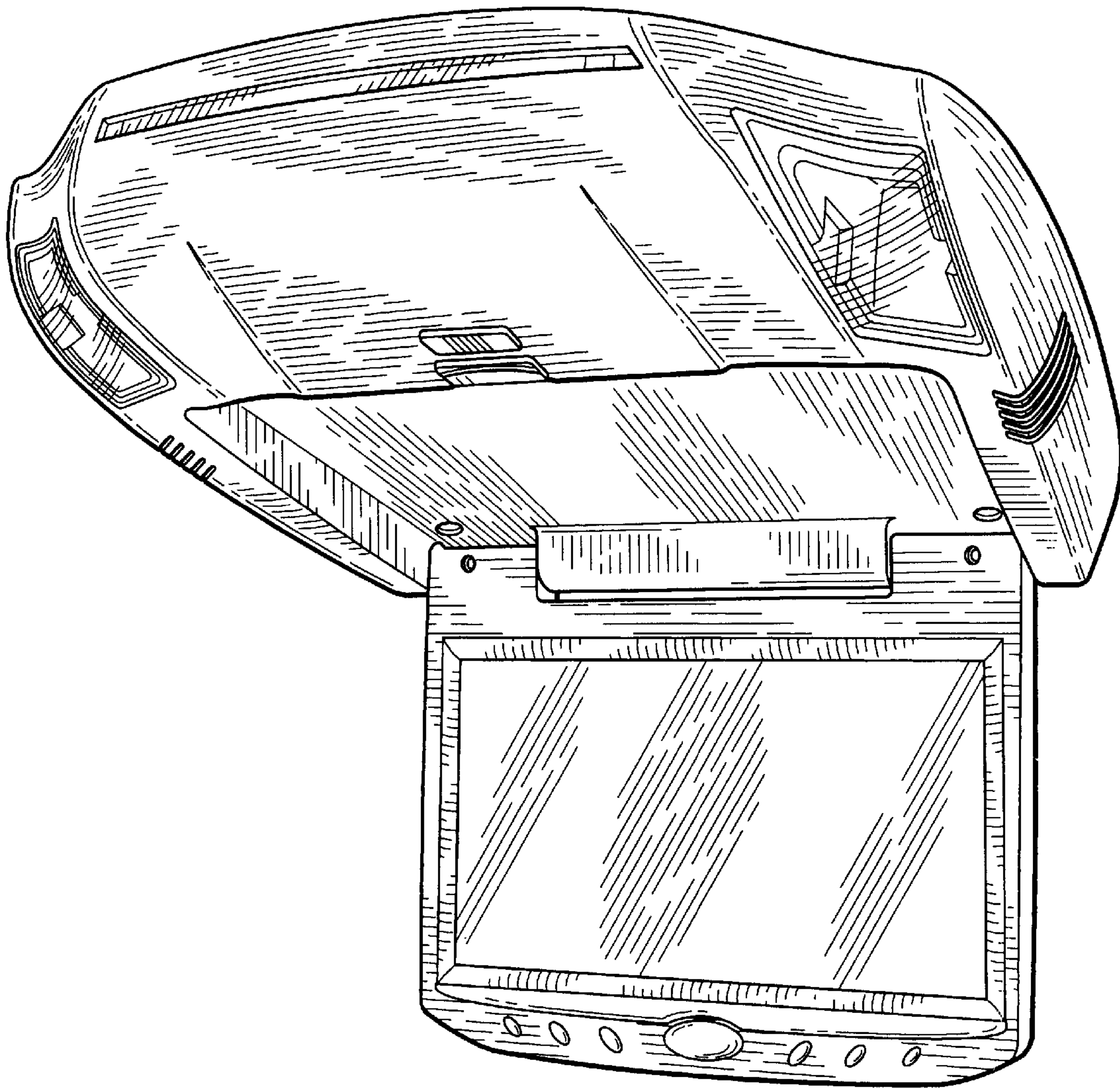


FIG. 1

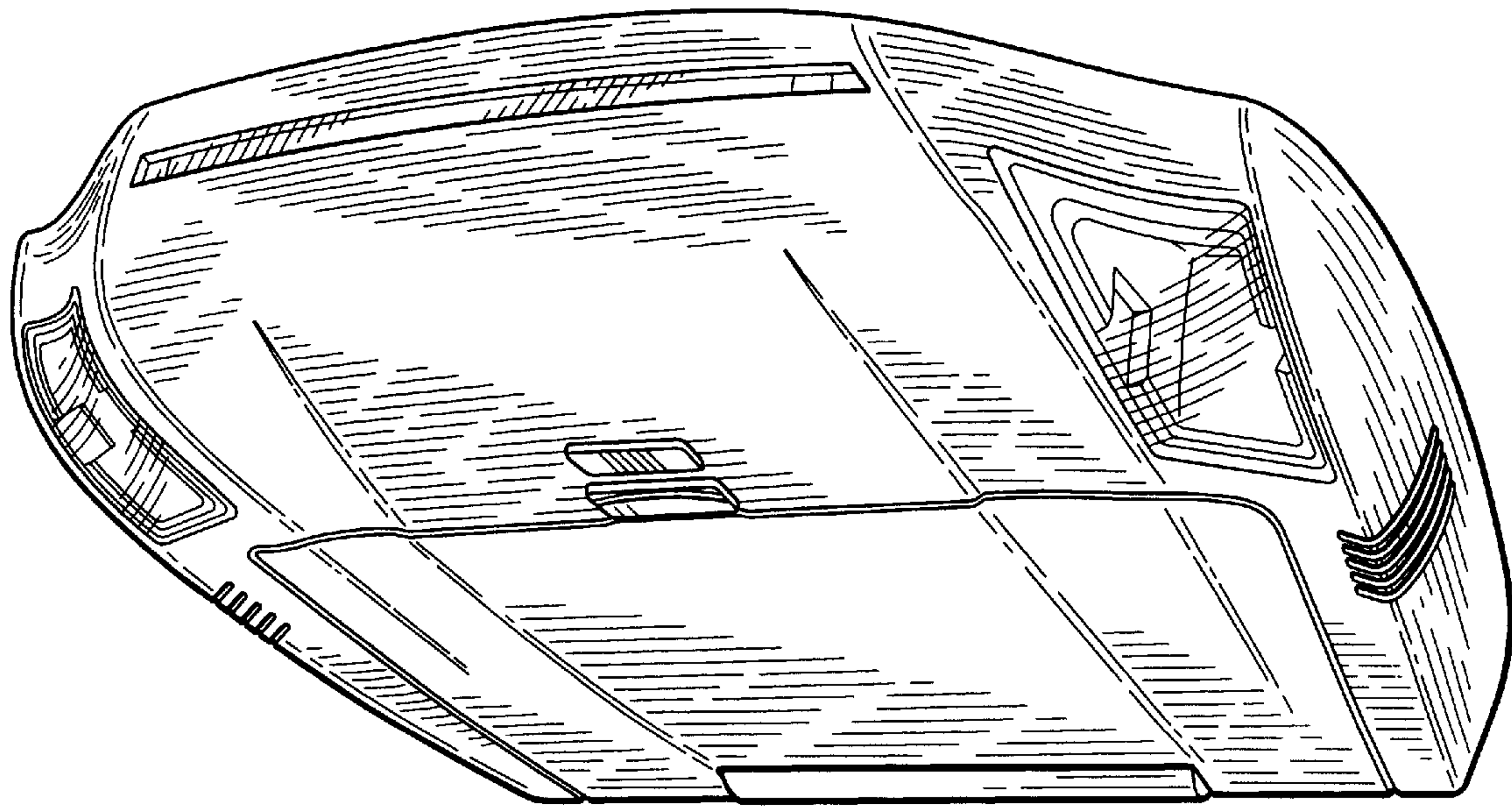


FIG. 2

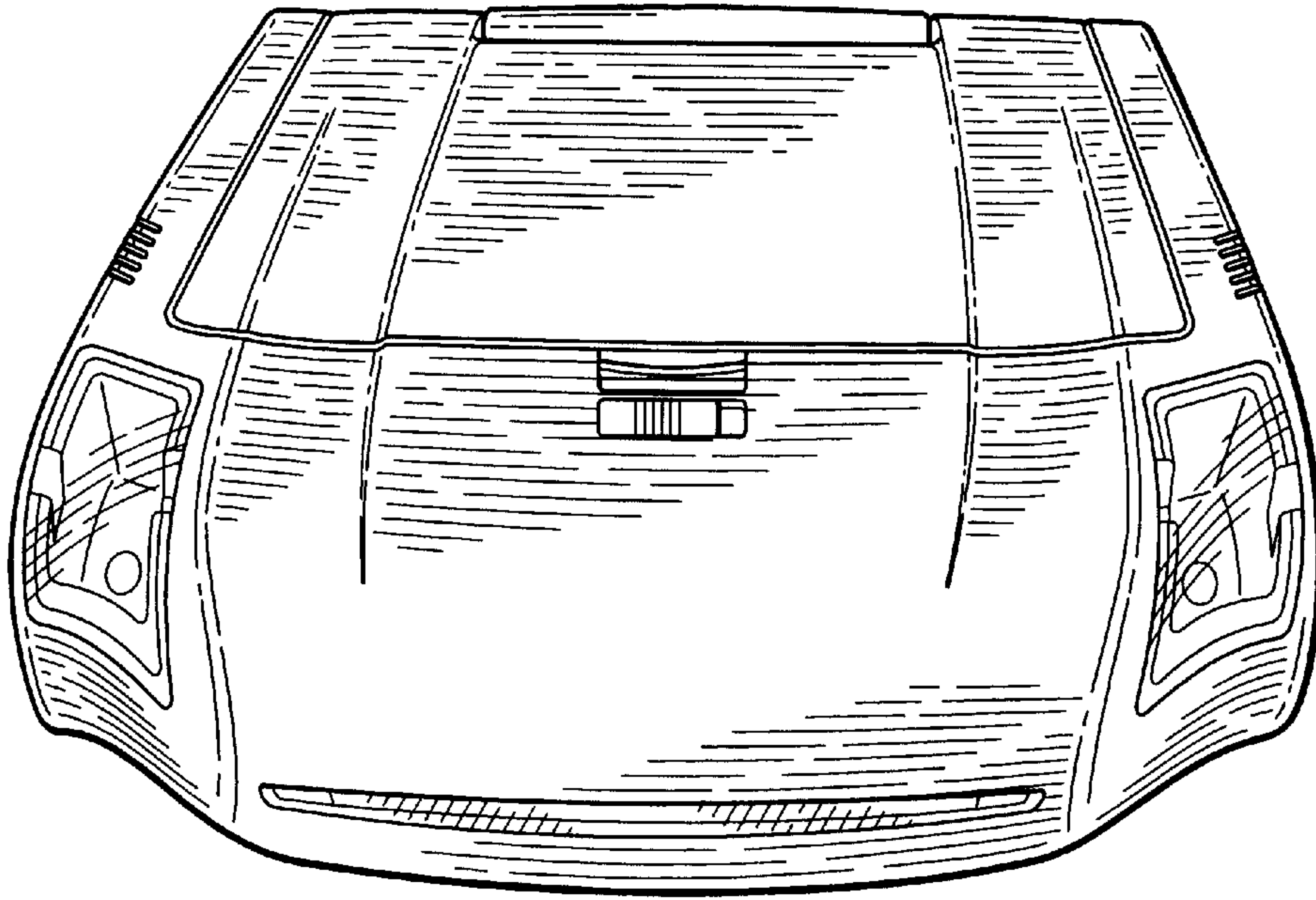


FIG. 3

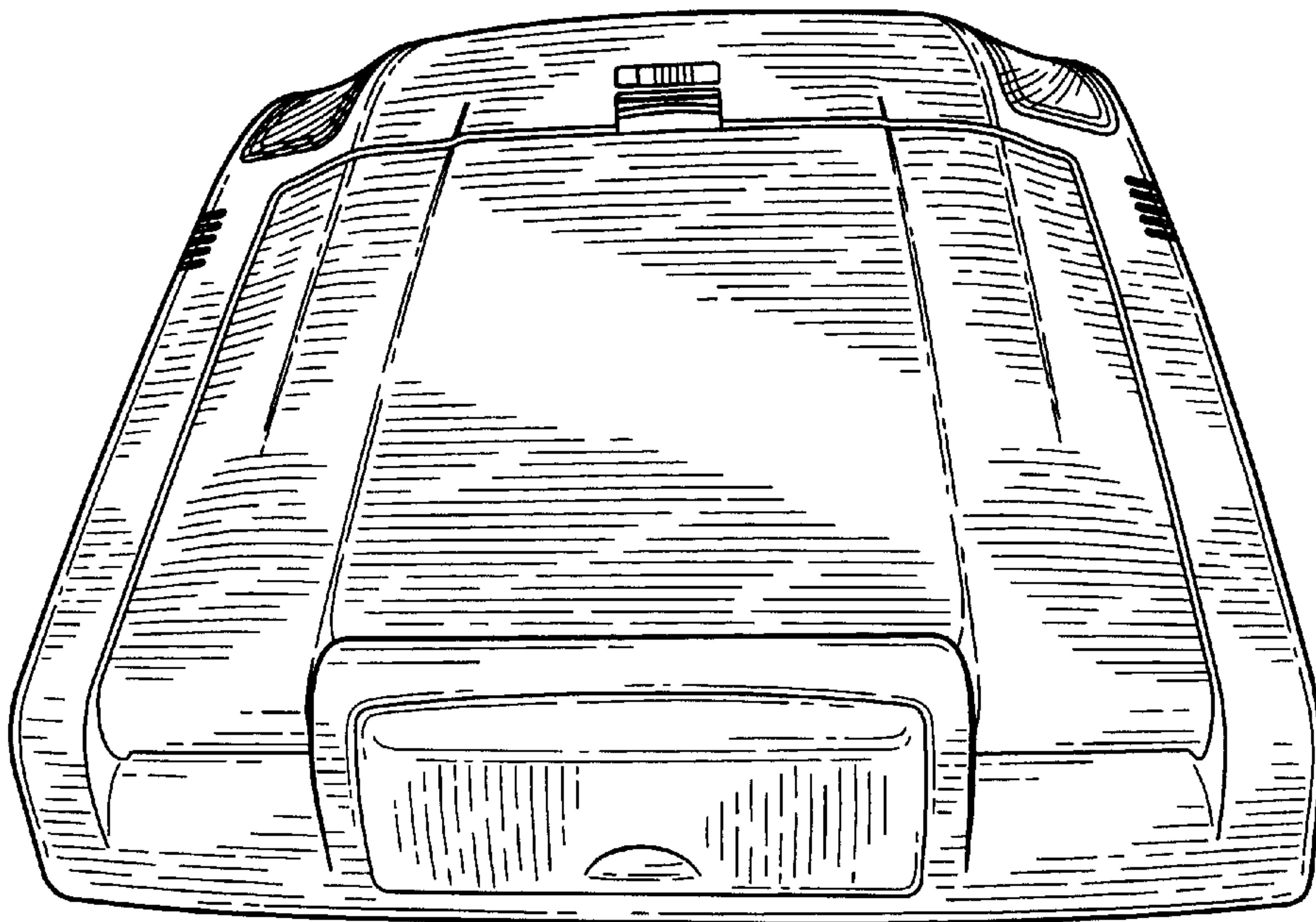


FIG. 4

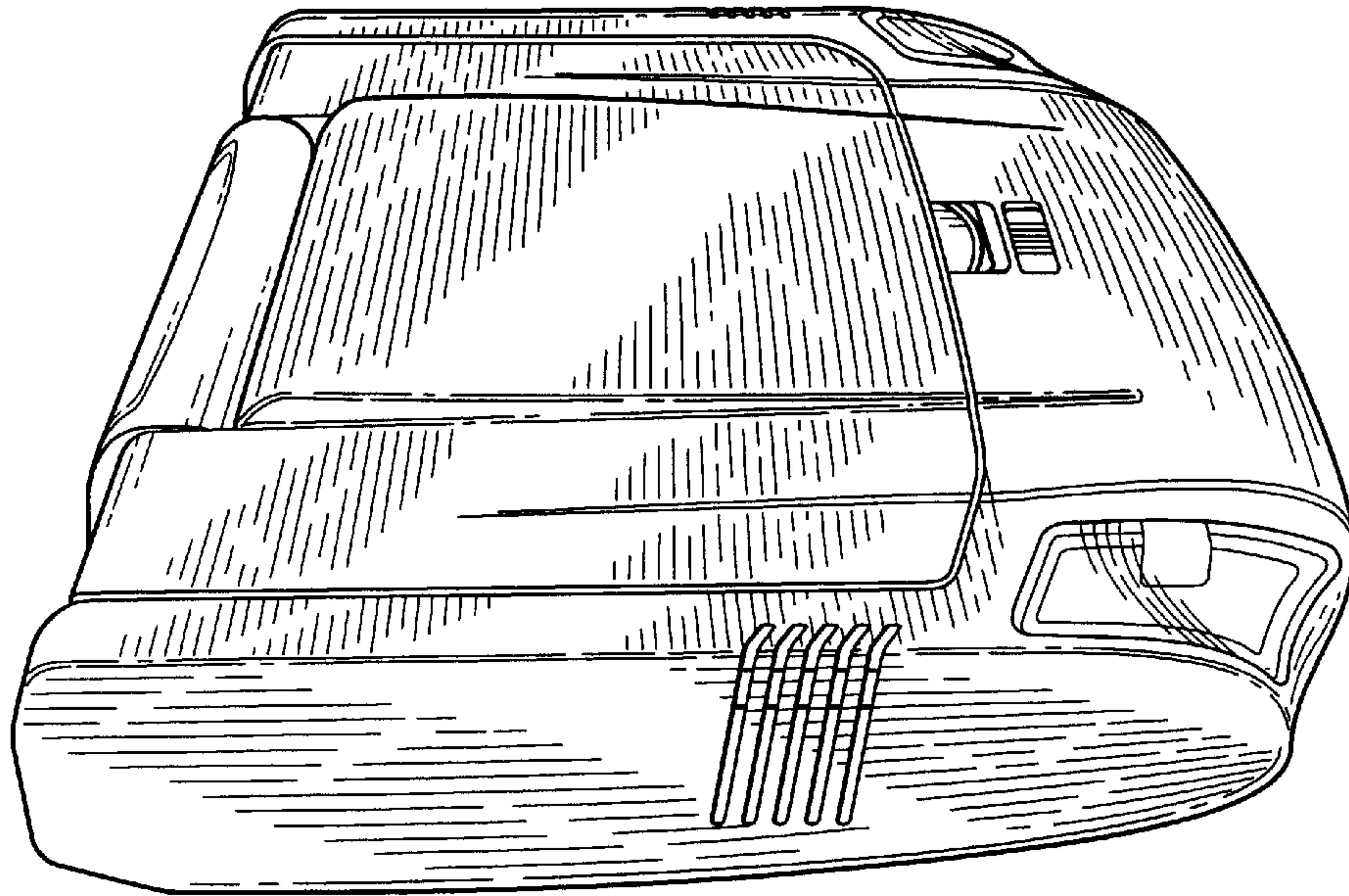


FIG. 5

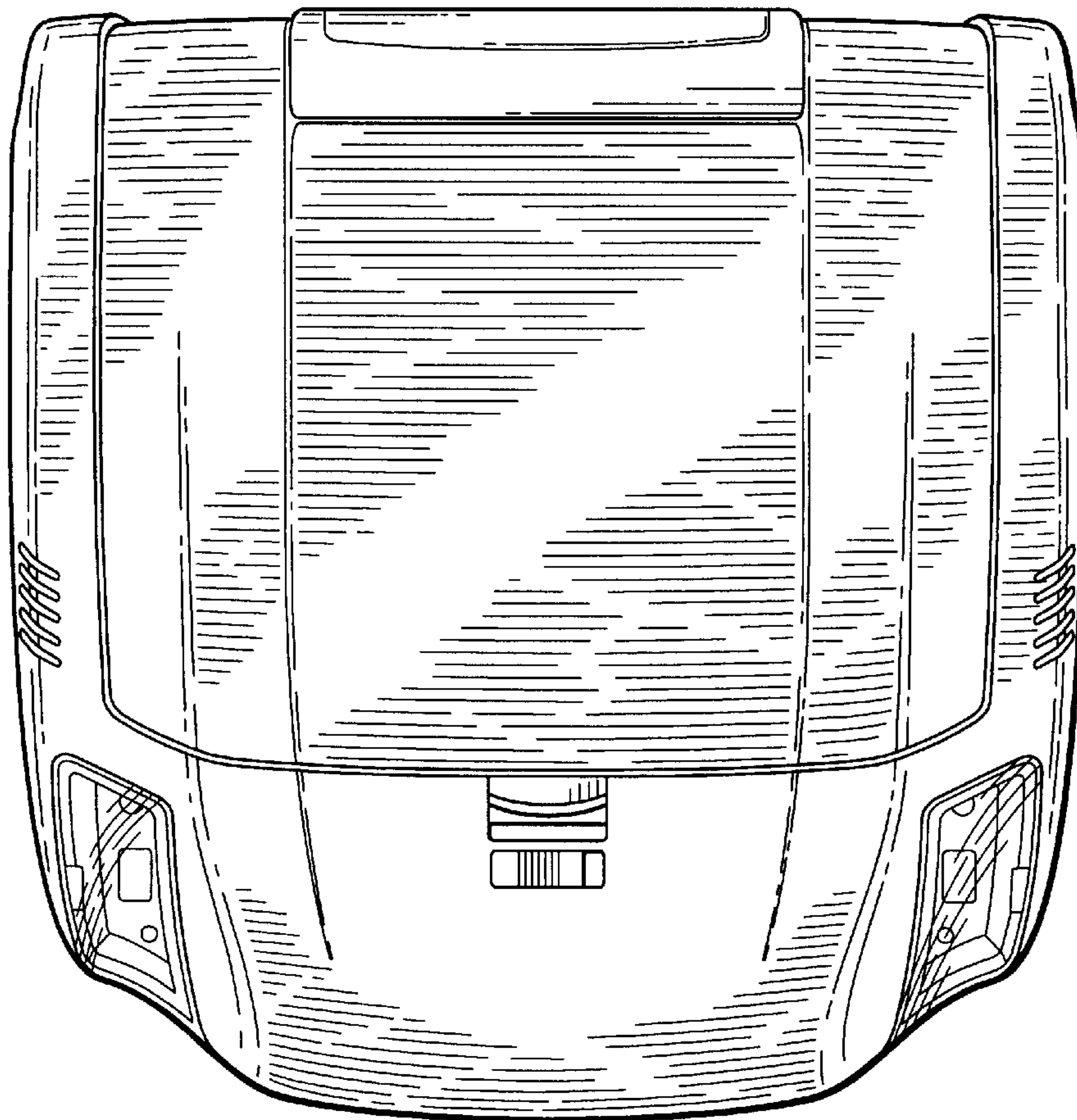


FIG. 6